



US00D611558S

(12) **United States Design Patent**
Freeman

(10) **Patent No.:** **US D611,558 S**
(45) **Date of Patent:** **** Mar. 9, 2010**

(54) **GUN MOUNT**

(75) Inventor: **Michael David Freeman**, Bangkok (TH)

(73) Assignee: **Global Fleet Sales Co., Ltd** (TH)

(**) Term: **14 Years**

(21) Appl. No.: **29/323,274**

(22) Filed: **Aug. 21, 2008**

(51) **LOC (9) Cl.** **22-01**

(52) **U.S. Cl.** **D22/108**

(58) **Field of Classification Search** D22/100,
D22/108, 109, 110, 114; D6/552; 89/40.03,
89/40.01, 37.04; 42/94, 114, 111; 224/571,
224/551, 442, 413, 311; 211/64; 102/430
See application file for complete search history.

(56) **References Cited**

U.S. PATENT DOCUMENTS

1,367,353	A *	2/1921	Craig	73/167
5,350,094	A *	9/1994	Morford	224/551
6,047,870	A *	4/2000	Morford	224/551
D428,962	S *	8/2000	Morford	D22/108
6,360,931	B1 *	3/2002	Morford	224/551
6,438,885	B1 *	8/2002	Murray et al.	42/70.07
6,742,687	B2 *	6/2004	Morford	224/551
D530,960	S *	10/2006	Osiecki et al.	D6/552
D568,437	S *	5/2008	McBurney et al.	D22/108
7,467,719	B2 *	12/2008	Crowell et al.	211/64
D587,051	S *	2/2009	Vining	D6/552
2005/0167378	A1 *	8/2005	Scott, Jr.	211/64
2007/0068983	A1 *	3/2007	Williams	224/274
2007/0170128	A1 *	7/2007	Punzel	211/64
2008/0252414	A1 *	10/2008	Crigger et al.	340/5.52
2009/0078661	A1 *	3/2009	Kinsella	211/64

* cited by examiner

Primary Examiner—T. Chase Nelson

Assistant Examiner—Michael A Pratt

(74) *Attorney, Agent, or Firm*—LaRiviere, Grubman & Payne, LLP

(57) **CLAIM**

The ornamental design for a gun mount, as shown.

DESCRIPTION

A portion of the disclosure of this patent document contains material which is subject to copyright protection. The copyright owner has no objection to the facsimile reproduction by any one of the patent document or the patent disclosure, as it appears in the Patent and Trademark Office patent file or records, but otherwise reserves all copyright rights whatsoever.

FIG. 1 is a front perspective view of a gun mount, in accordance with the present invention.

FIG. 2 is a front view of a gun mount, in accordance with the present invention.

FIG. 3 is a side view of a gun mount, in accordance with the present invention.

FIG. 4 is rear view of a gun mount, in accordance with the present invention.

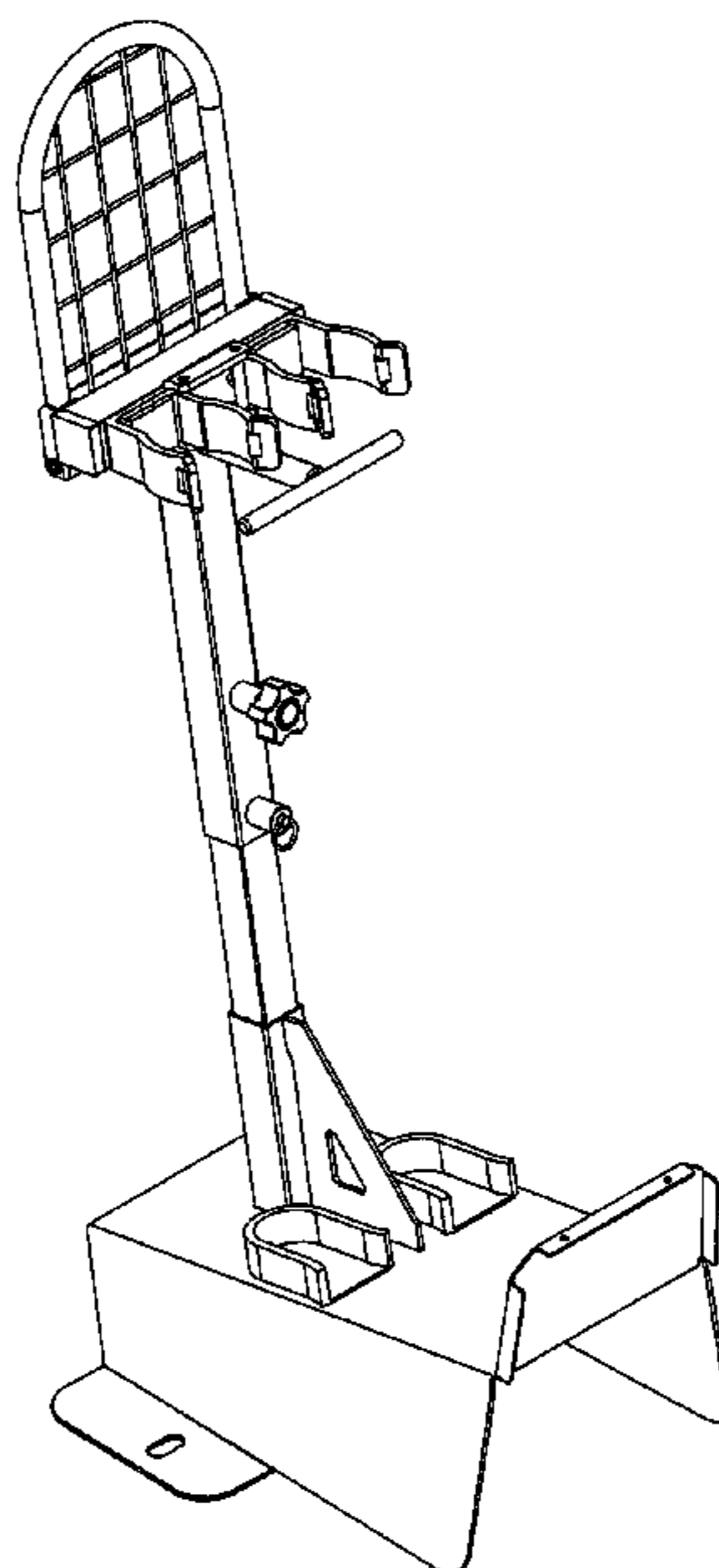
FIG. 5 is an opposing side view of a gun mount, in accordance with the present invention.

FIG. 6 is a top view of a gun mount, in accordance with the present invention; and,

FIG. 7 is a bottom view of a gun mount, in accordance with the present invention.

The broken line showing in the figures is included for the purpose of illustrating environment and forms no part of the claimed design.

1 Claim, 6 Drawing Sheets



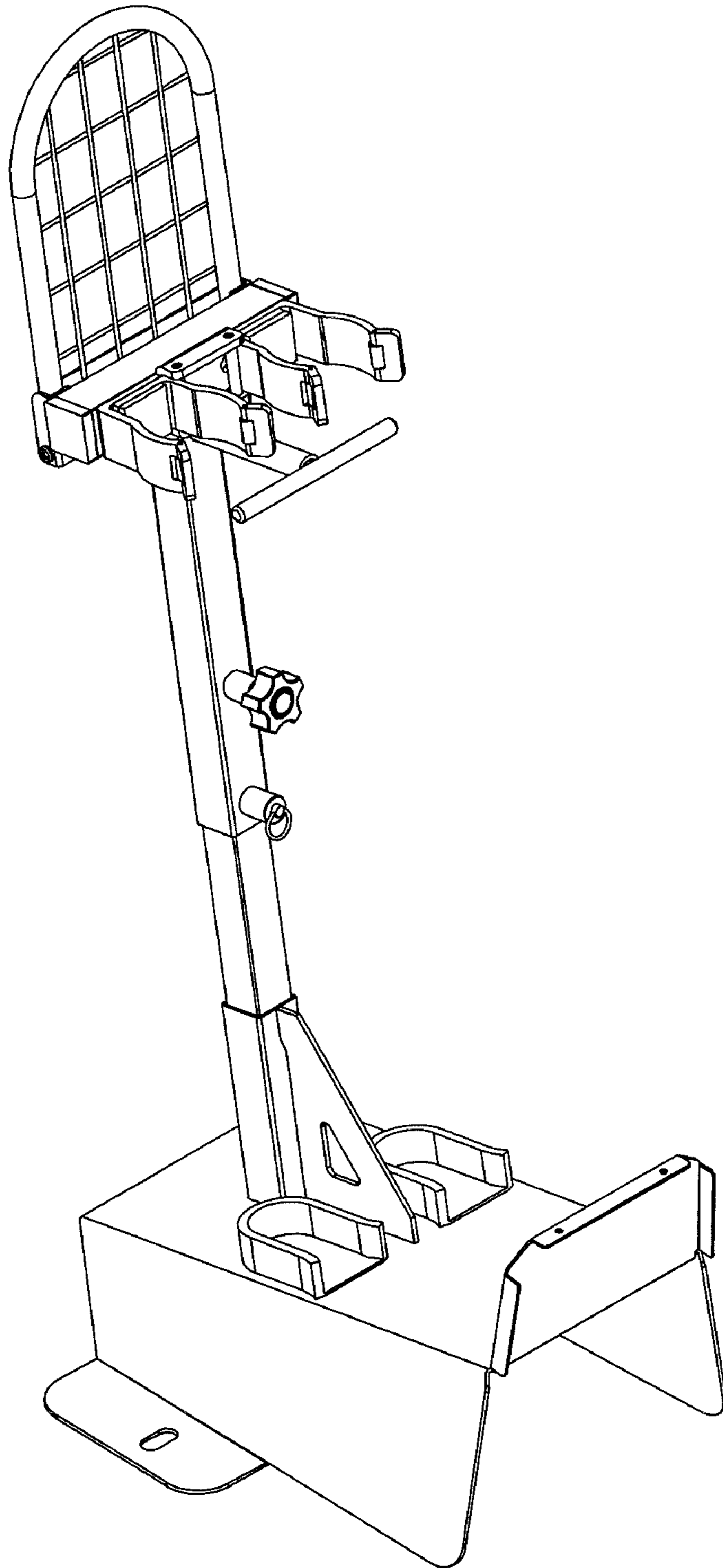


Figure 1

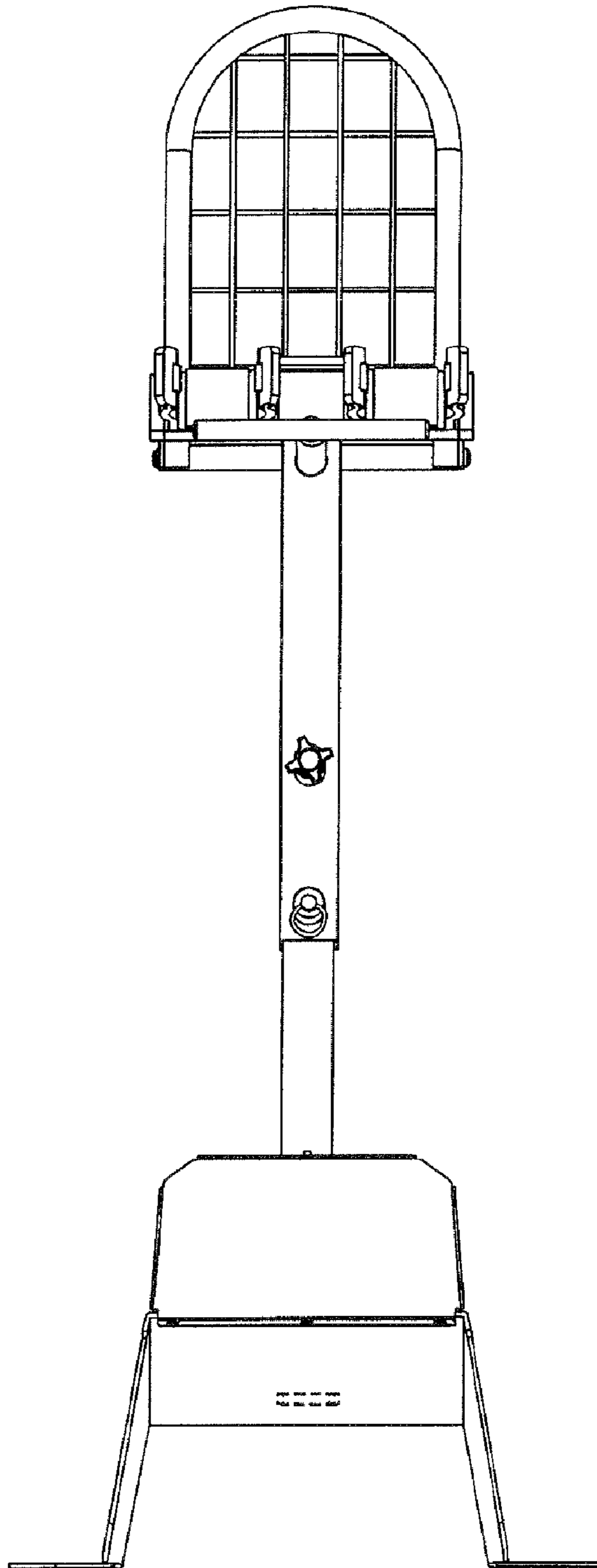


Figure 2

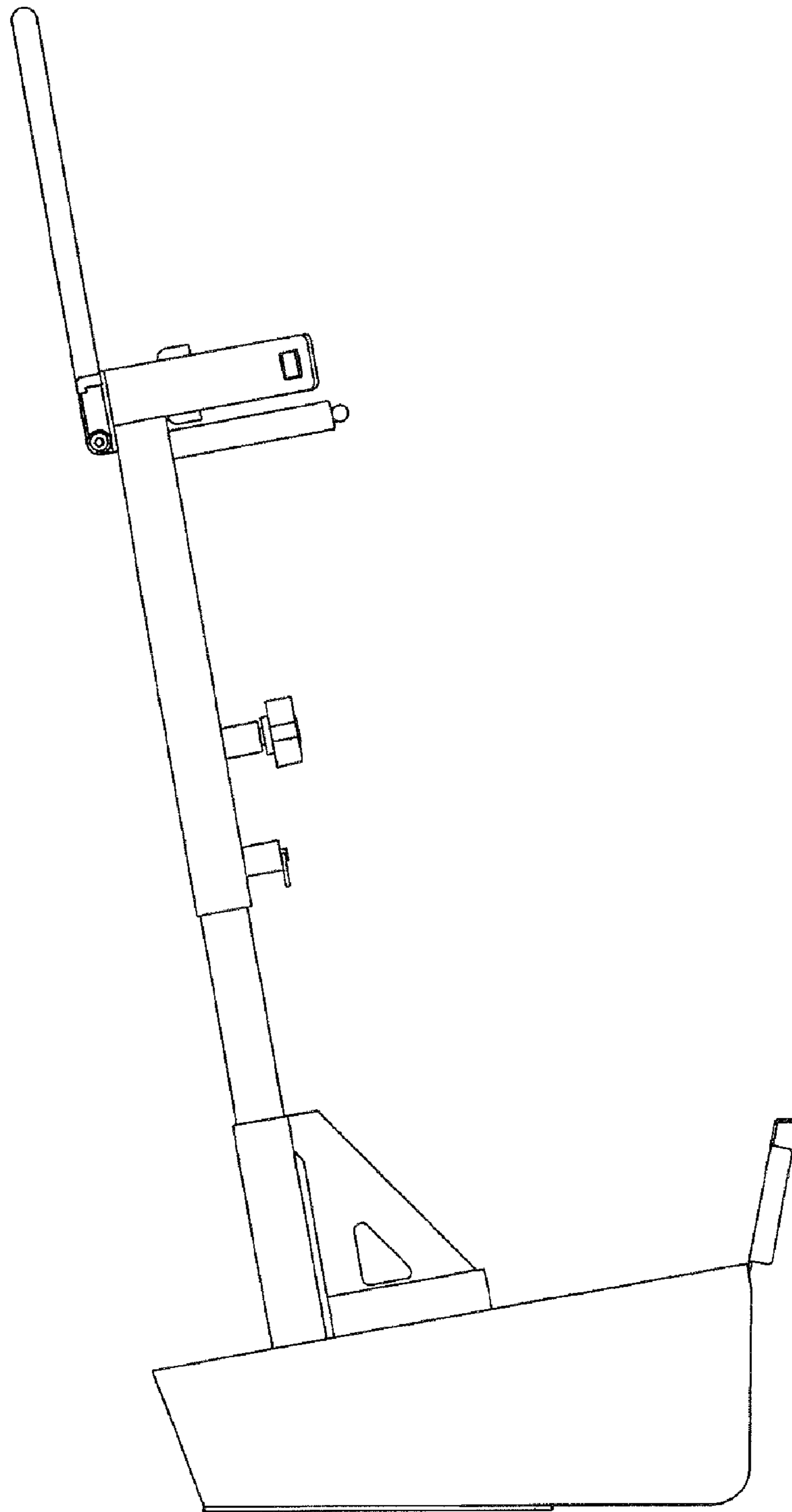


Figure 3

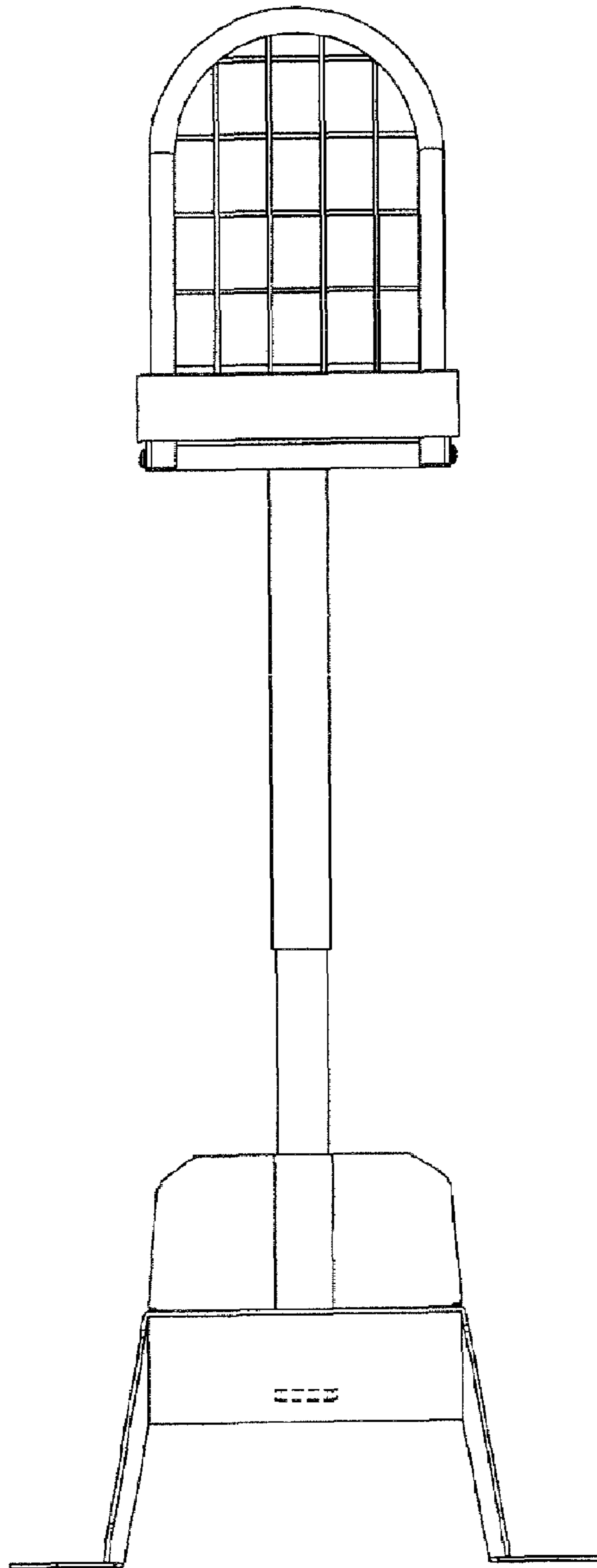


Figure 4

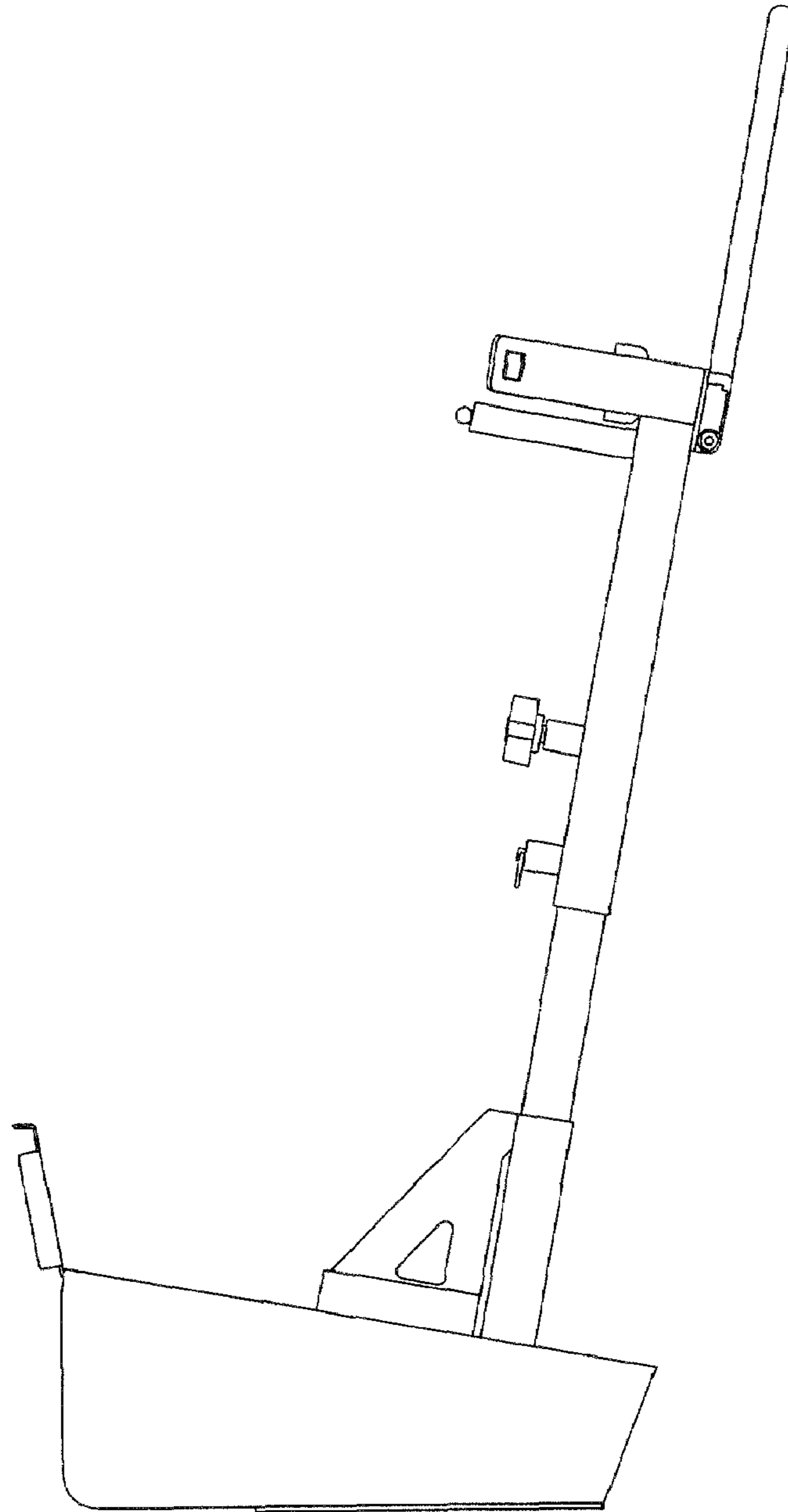


Figure 5

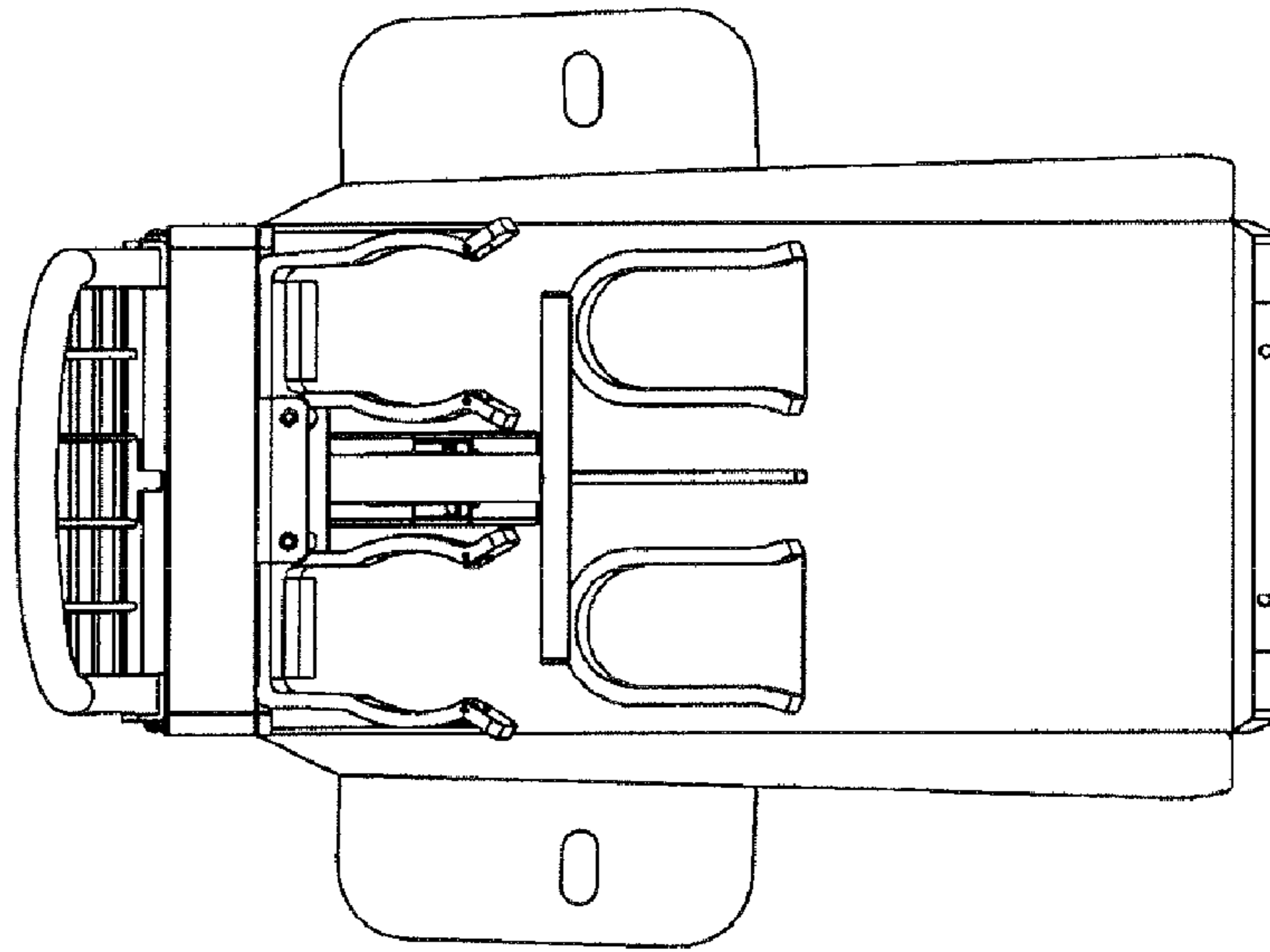


Figure 6

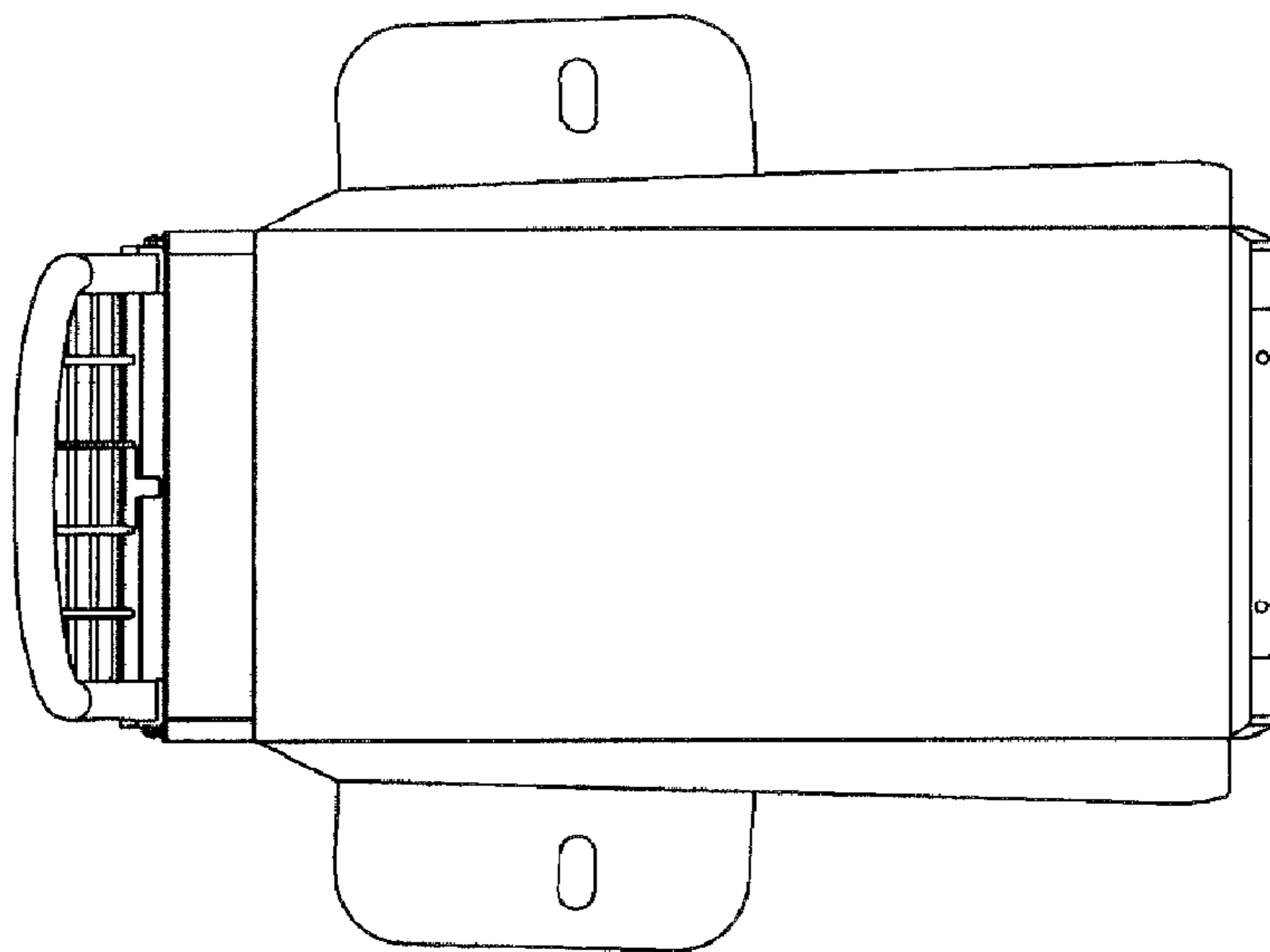


Figure 7