



US00D611557S

(12) **United States Design Patent**  
**Johnson**

(10) **Patent No.:** **US D611,557 S**  
(45) **Date of Patent:** **\*\* Mar. 9, 2010**

(54) **WATER SPORT DEVICE**

(76) Inventor: **David C. Johnson**, 1 N. Shore Dr. SE.,  
White Salmon, WA (US) 98672

(\*\*) Term: **14 Years**

(21) Appl. No.: **29/305,628**

(22) Filed: **Mar. 25, 2008**

(51) **LOC (9) Cl.** ..... **21-02**

(52) **U.S. Cl.** ..... **D21/803**

(58) **Field of Classification Search** ..... D21/769-770,  
D21/801, 803, 809; 114/253, 345-346; 441/35,  
441/66, 40-42, 129-132; 472/128-129;  
D12/5, 6, 316

See application file for complete search history.

(56) **References Cited**

**U.S. PATENT DOCUMENTS**

3,042,945	A *	7/1962	Saeman	.....	441/135
4,083,070	A *	4/1978	Martin	.....	441/40
5,397,258	A *	3/1995	Switlik et al.	.....	441/40
D394,892	S *	6/1998	Peterson	.....	D21/809
D435,620	S *	12/2000	Peterson	.....	D21/803
D518,132	S *	3/2006	Peterson	.....	D21/770
D518,544	S *	4/2006	Peterson	.....	D21/770
D558,292	S *	12/2007	Engaldo	.....	D21/803

\* cited by examiner

*Primary Examiner*—Janice E Seeger

*Assistant Examiner*—Zenita I Bennett

(74) *Attorney, Agent, or Firm*—Marger Johnson &  
McCullom PC

(57) **CLAIM**

The ornamental design for a water sport device, as shown and described.

**DESCRIPTION**

FIG. 1 is an isometric view of my water sport device showing my new design. Handles are shown in dashed lines, and are not part of the claimed design;

FIG. 2 is a side elevational view of the design of FIG. 1. An attachment mechanism is shown in dashed lines, and is not part of the claimed design;

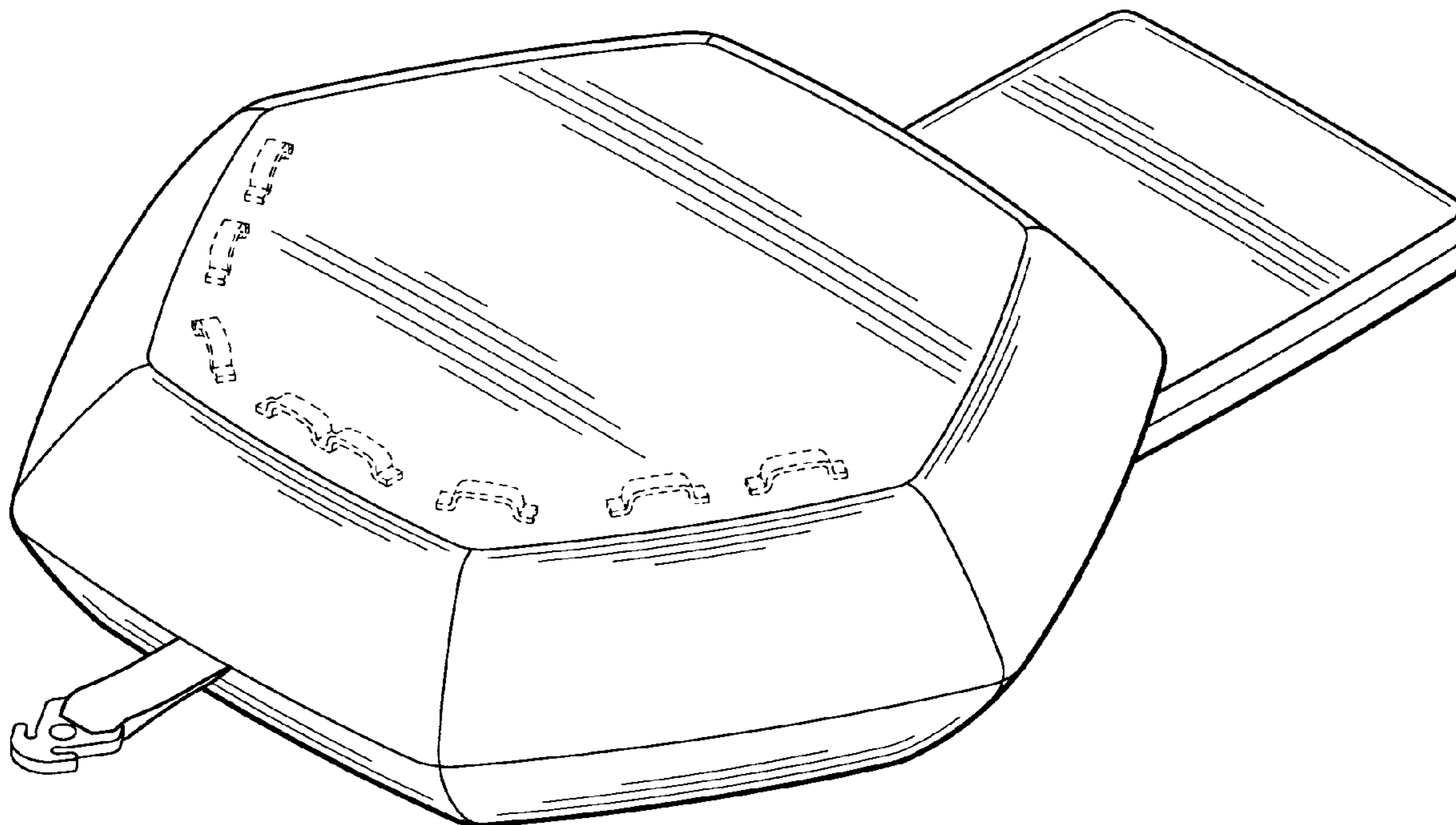
FIG. 3 is an end view of the design of FIG. 1;

FIG. 4 is a top plan view of the design of FIG. 1;

FIG. 5 is an opposing end view of the design of FIG. 1; and,

FIG. 6 is a bottom plan view of the design of FIG. 1. Generic fasteners are shown in dashed lines and are not part of the claimed design.

**1 Claim, 5 Drawing Sheets**



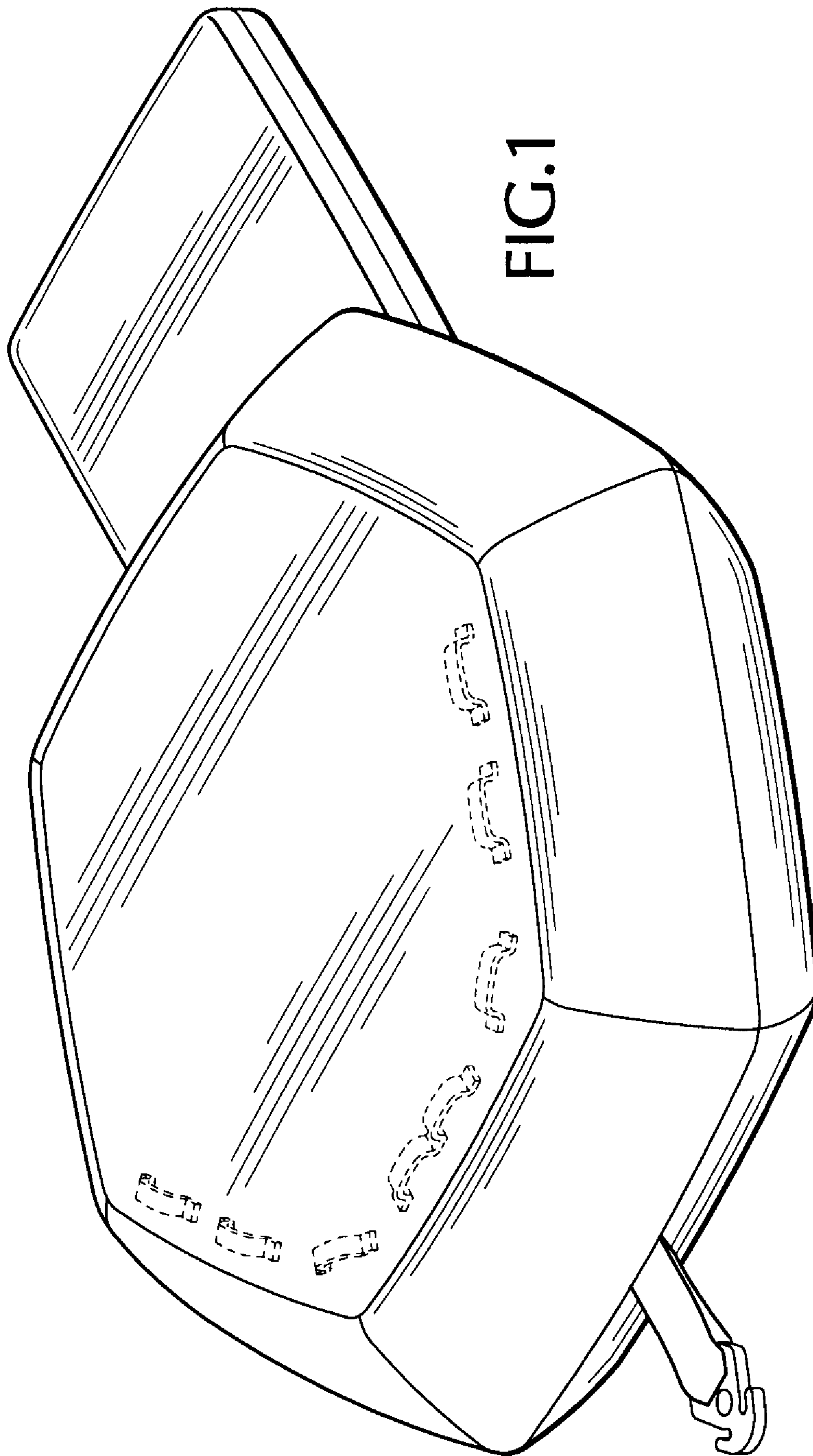


FIG. 1

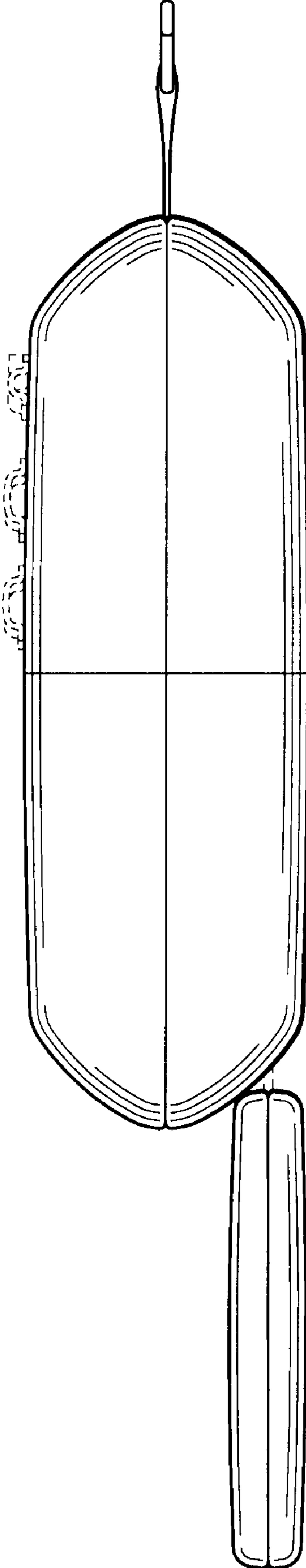


FIG. 2

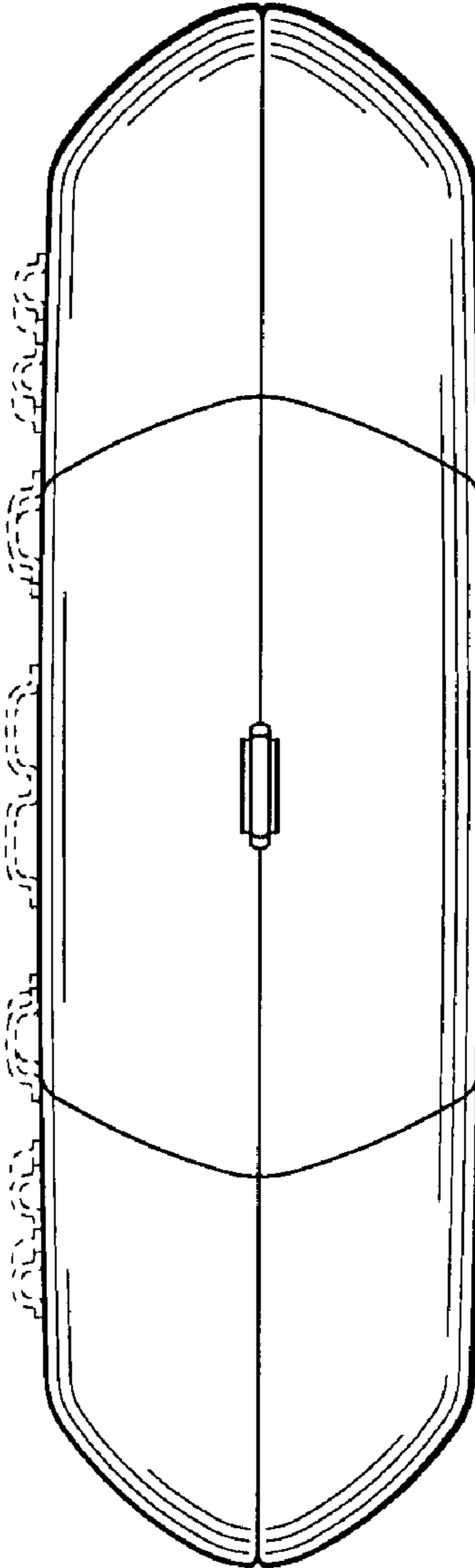


FIG. 3

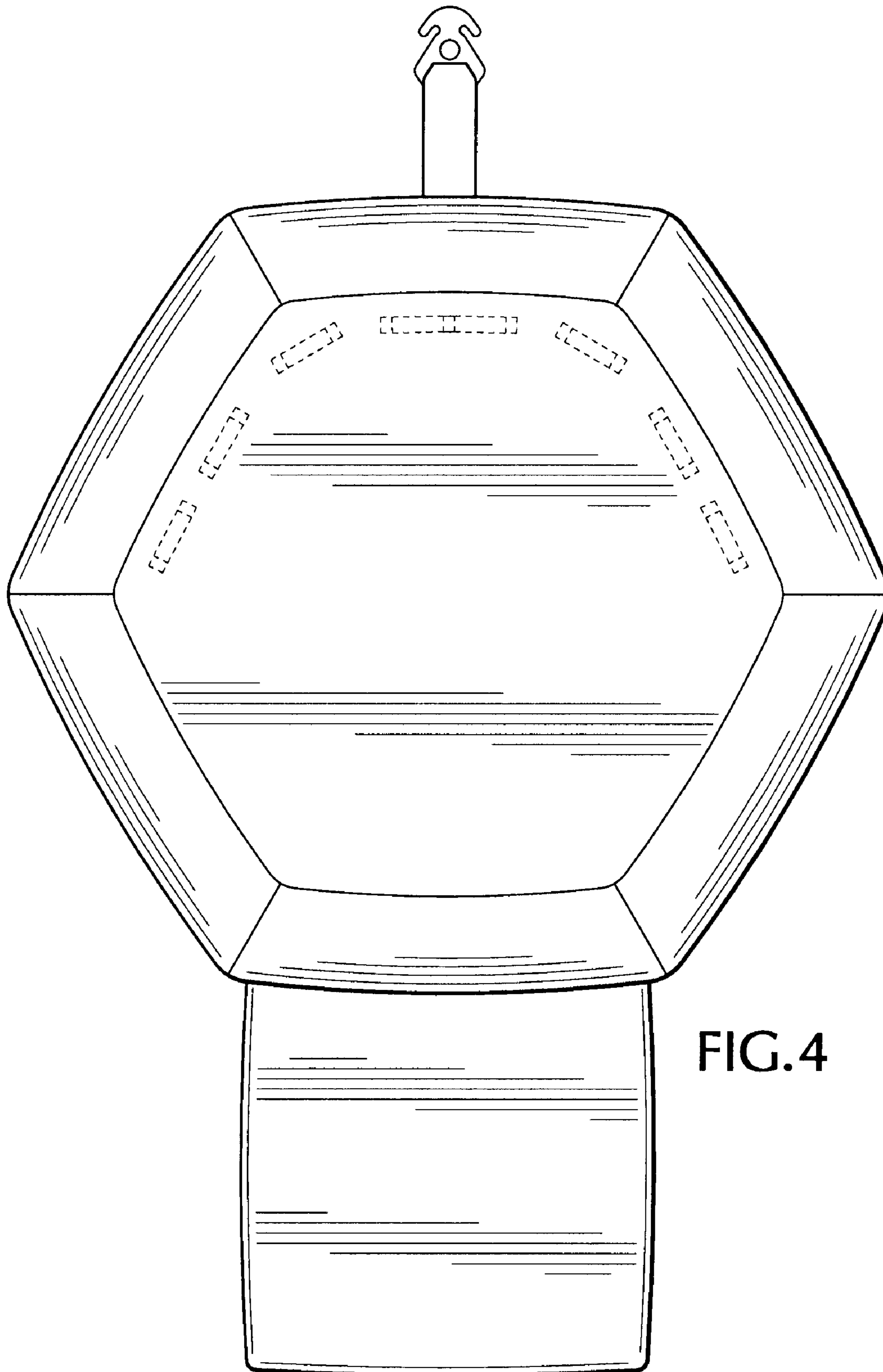


FIG.4

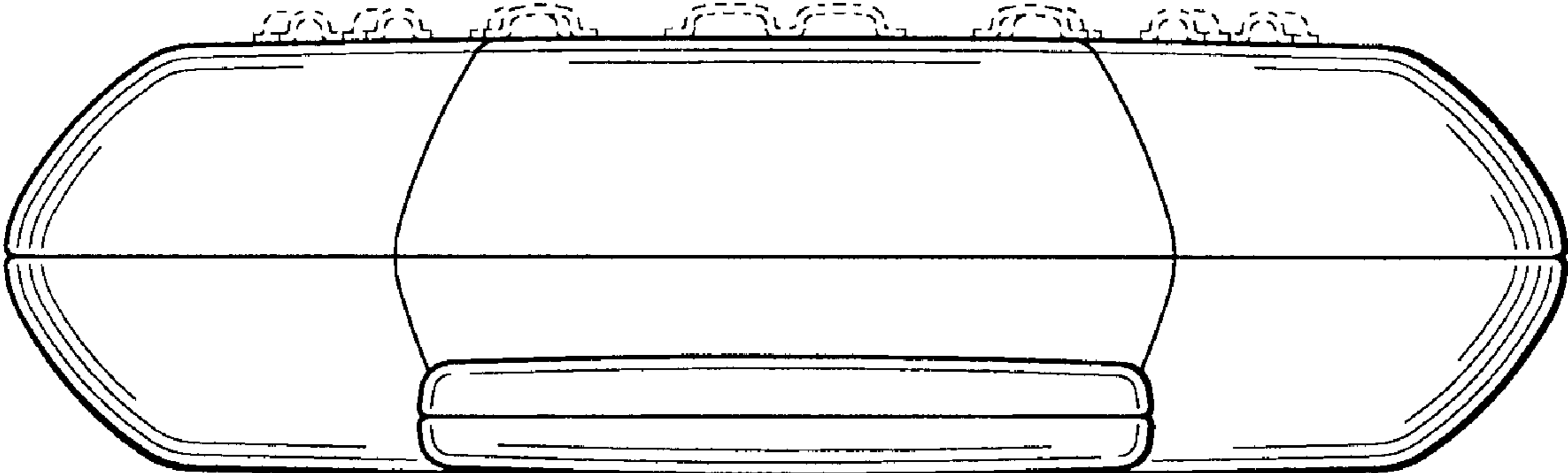


FIG.5

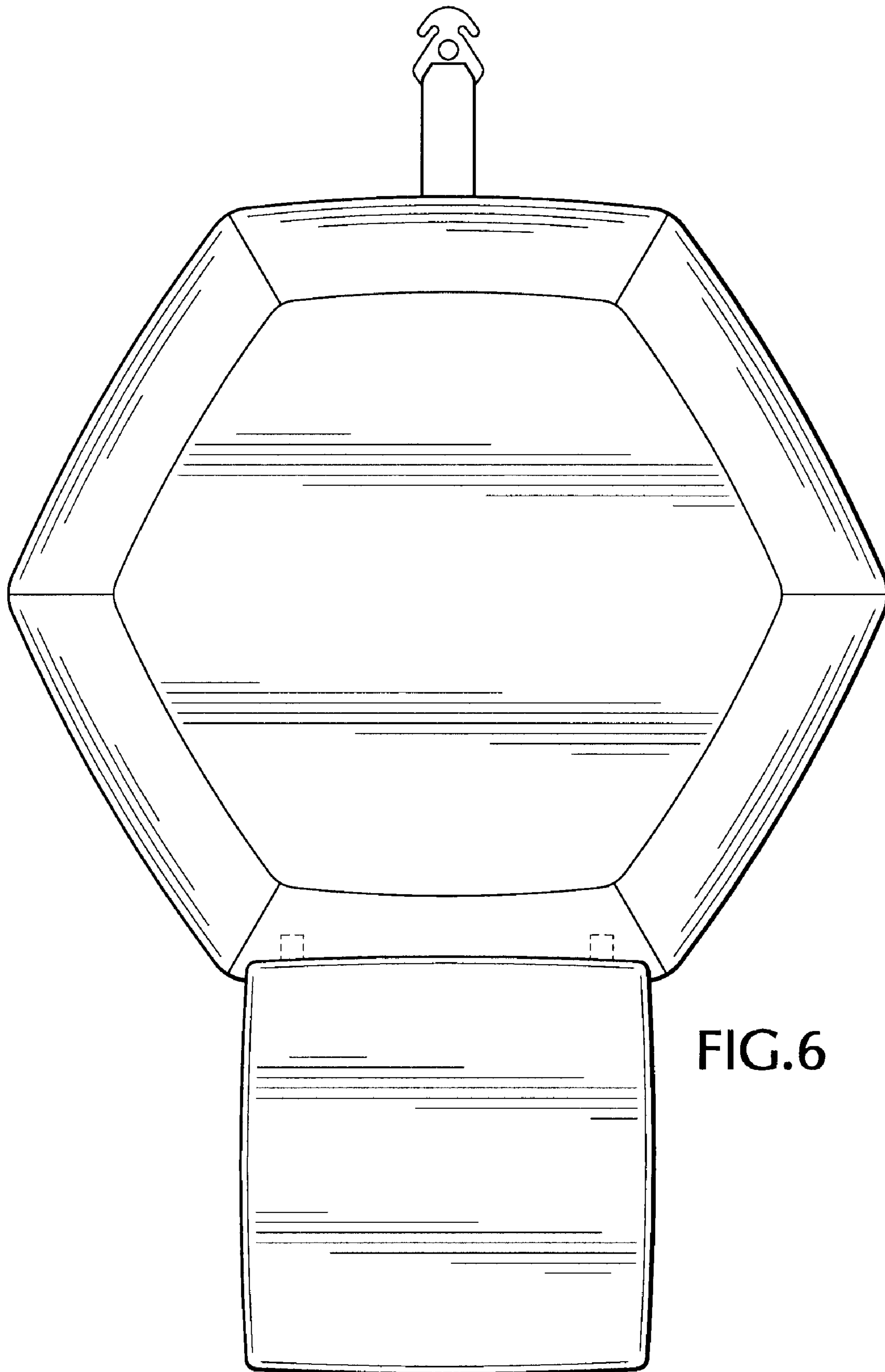


FIG. 6