



US00D611543S

(12) **United States Design Patent**
Chen et al.

(10) **Patent No.:** **US D611,543 S**

(45) **Date of Patent:** **** Mar. 9, 2010**

(54) **CLIPBOARD**

(75) Inventors: **Peter Chen**, West Windsor, NJ (US);
Jungkun Lee, Edison, NJ (US)

(73) Assignee: **Officemate International Corp.**,
Edison, NJ (US)

(**) Term: **14 Years**

(21) Appl. No.: **29/315,839**

(22) Filed: **Jul. 29, 2009**

(51) **LOC (9) Cl.** **19-02**

(52) **U.S. Cl.** **D19/88**

(58) **Field of Classification Search** D3/273,
D3/294, 900; D8/395; D19/52, 88; 206/215,
206/224, 371, 472; 220/812; 281/45; 312/231;
362/99

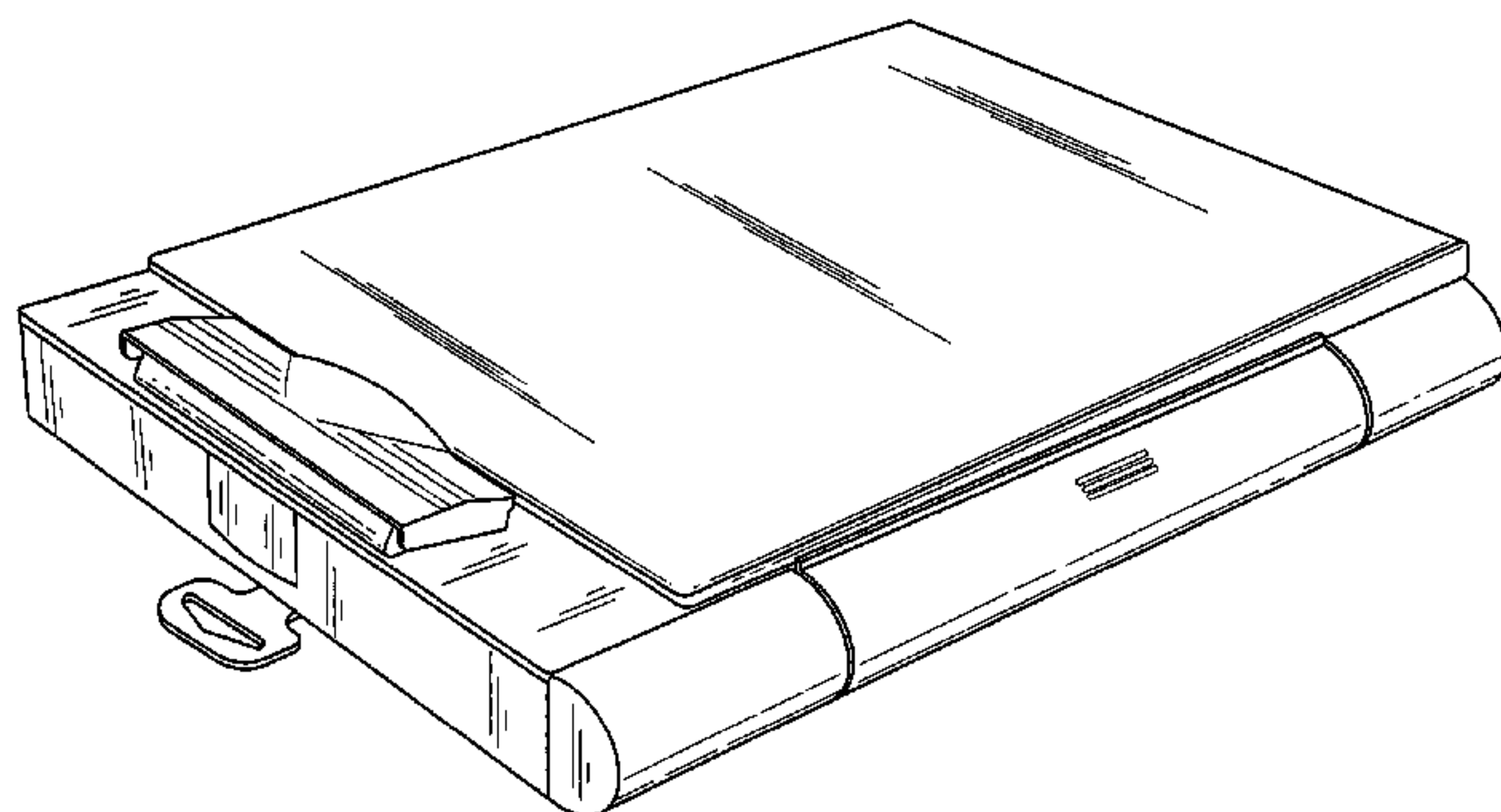
See application file for complete search history.

(56) **References Cited**

U.S. PATENT DOCUMENTS

2,068,813	A *	1/1937	Morey	362/156
D225,906	S *	1/1973	Cline	D19/65
D228,528	S *	10/1973	Smith, Jr.	D19/88
3,977,744	A *	8/1976	DeWitt	312/231
D255,038	S *	5/1980	Itakura	D21/385
D260,305	S *	8/1981	MacGregor et al.	D6/308
D261,903	S *	11/1981	Mulder	D19/88
D277,418	S *	1/1985	Hemrich et al.	D28/38
D287,169	S *	12/1986	Trabattoni	D28/83
D310,576	S *	9/1990	Narbut et al.	D26/58
D311,549	S *	10/1990	Battisti	D19/26

(Continued)



OTHER PUBLICATIONS

Saunders Recycled Aluminum Cruiser-Mate Storage Clipboard, Item 21017, amazon.com, first available on amazon.com Aug. 7, 2008, 5 pages, Dec. 5, 2009.*

Primary Examiner—Elizabeth A Albert

(74) *Attorney, Agent, or Firm*—Daniel Kirshner

(57) **CLAIM**

The ornamental design for a clipboard, as shown and described.

DESCRIPTION

FIG. 1 is a rear perspective view of a clipboard showing the new design;

FIG. 2 is a side perspective view thereof;

FIG. 3 is a front perspective view thereof;

FIG. 4 is a top view thereof;

FIG. 5 is a bottom view thereof;

FIG. 6 is a right side view thereof;

FIG. 7 is an inverted left side view thereof;

FIG. 8 is a rear view thereof;

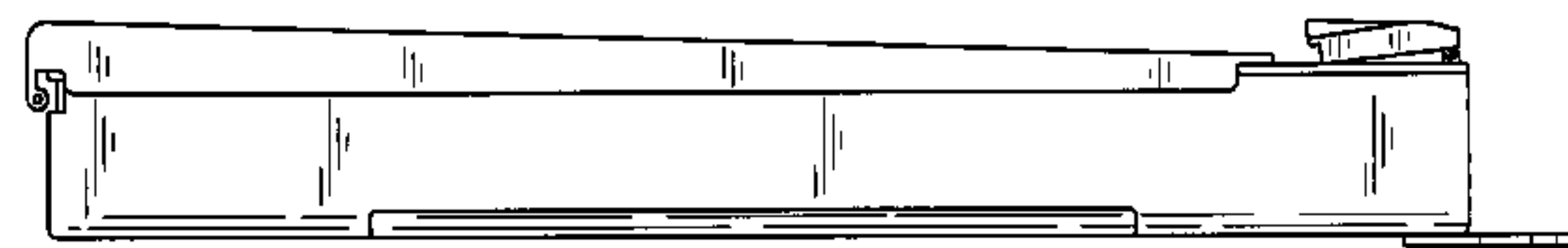
FIG. 9 is a front view thereof;

FIG. 10 is a side perspective view thereof showing its side compartment open;

FIG. 11 is a side perspective view thereof showing its lid open; and,

FIG. 12 is another side perspective thereof showing its lid open.

1 Claim, 12 Drawing Sheets



US D611,543 S

Page 2

U.S. PATENT DOCUMENTS

D312,278 S *	11/1990	Moor	D19/27	D478,628 S *	8/2003	Sheldon et al.	D19/65
D313,819 S *	1/1991	Craft et al.	D19/88	D488,057 S *	4/2004	Rosado	D8/395
D321,865 S *	11/1991	Derocher	D14/345	D490,809 S *	6/2004	Wu et al.	D14/371
D324,399 S *	3/1992	Murphy	D19/88	D497,186 S *	10/2004	Cetera	D19/88
D346,366 S *	4/1994	Kim et al.	D14/342	D500,800 S *	1/2005	Shamoon	D19/88
D366,280 S *	1/1996	Henderson	D19/52	D533,596 S *	12/2006	Braddock et al.	D19/88
D379,477 S *	5/1997	Shamoon	D19/88	D542,529 S *	5/2007	Pearl et al.	D3/276
5,758,902 A *	6/1998	McManus	281/45	D548,969 S *	8/2007	Bramley	D3/294
D398,650 S *	9/1998	Shamoon	D19/88	D558,977 S *	1/2008	Pearl et al.	D3/294
D408,452 S *	4/1999	Coe	D19/65	D575,347 S *	8/2008	Fedon	D19/88
5,893,132 A *	4/1999	Huffman et al.	715/201	D575,826 S *	8/2008	Chen et al.	D19/88
5,918,395 A *	7/1999	Hesmer	40/518	D578,381 S *	10/2008	Wolff	D8/395
D436,314 S *	1/2001	Hansen	D9/422	D594,509 S *	6/2009	Chan	D19/91
D472,383 S *	4/2003	Geisler	D3/273	2002/0030989 A1 *	3/2002	Stephen	362/98
					2006/0208477 A1 *	9/2006	Sandy	281/45

* cited by examiner

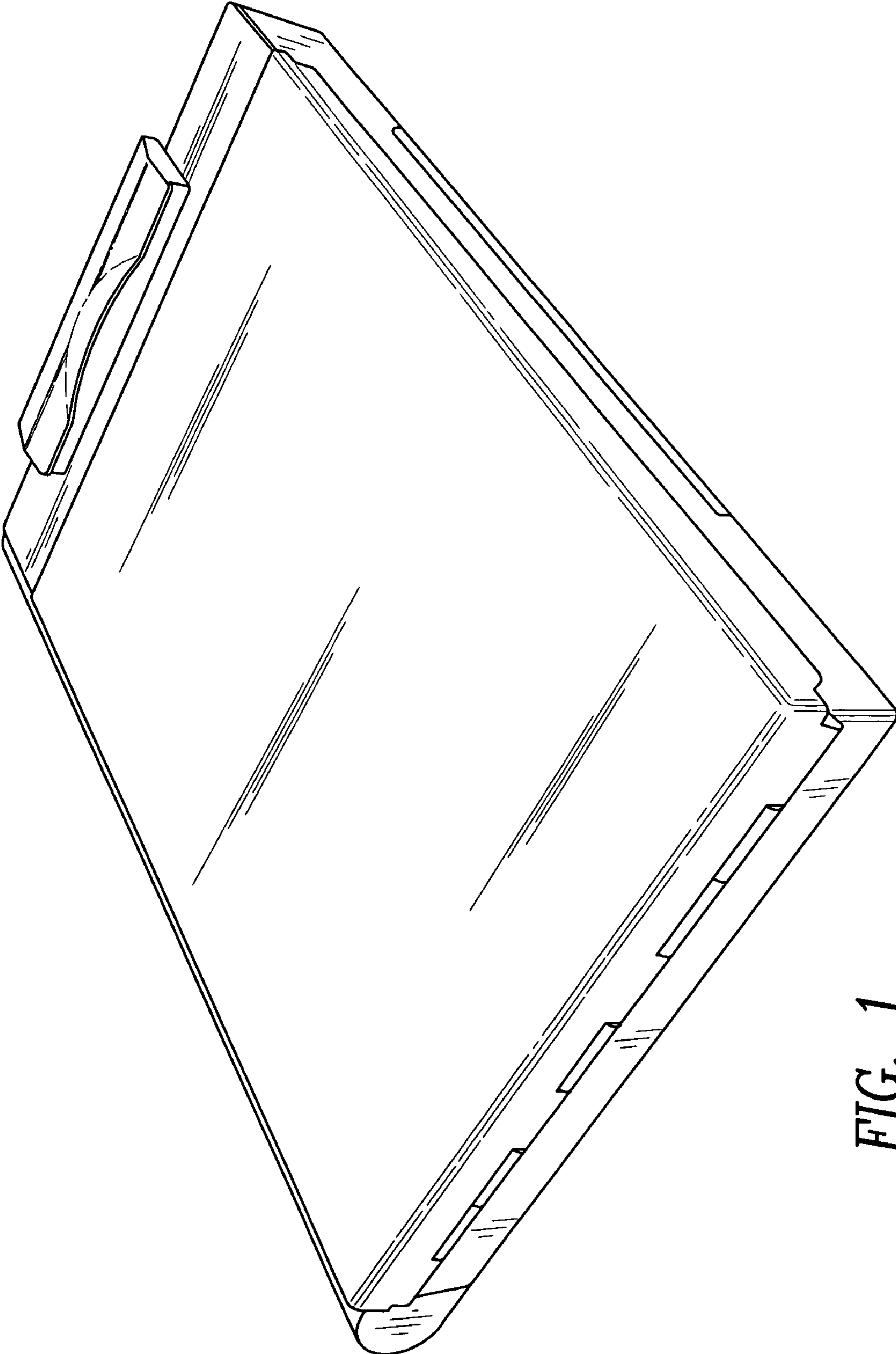


FIG. 1

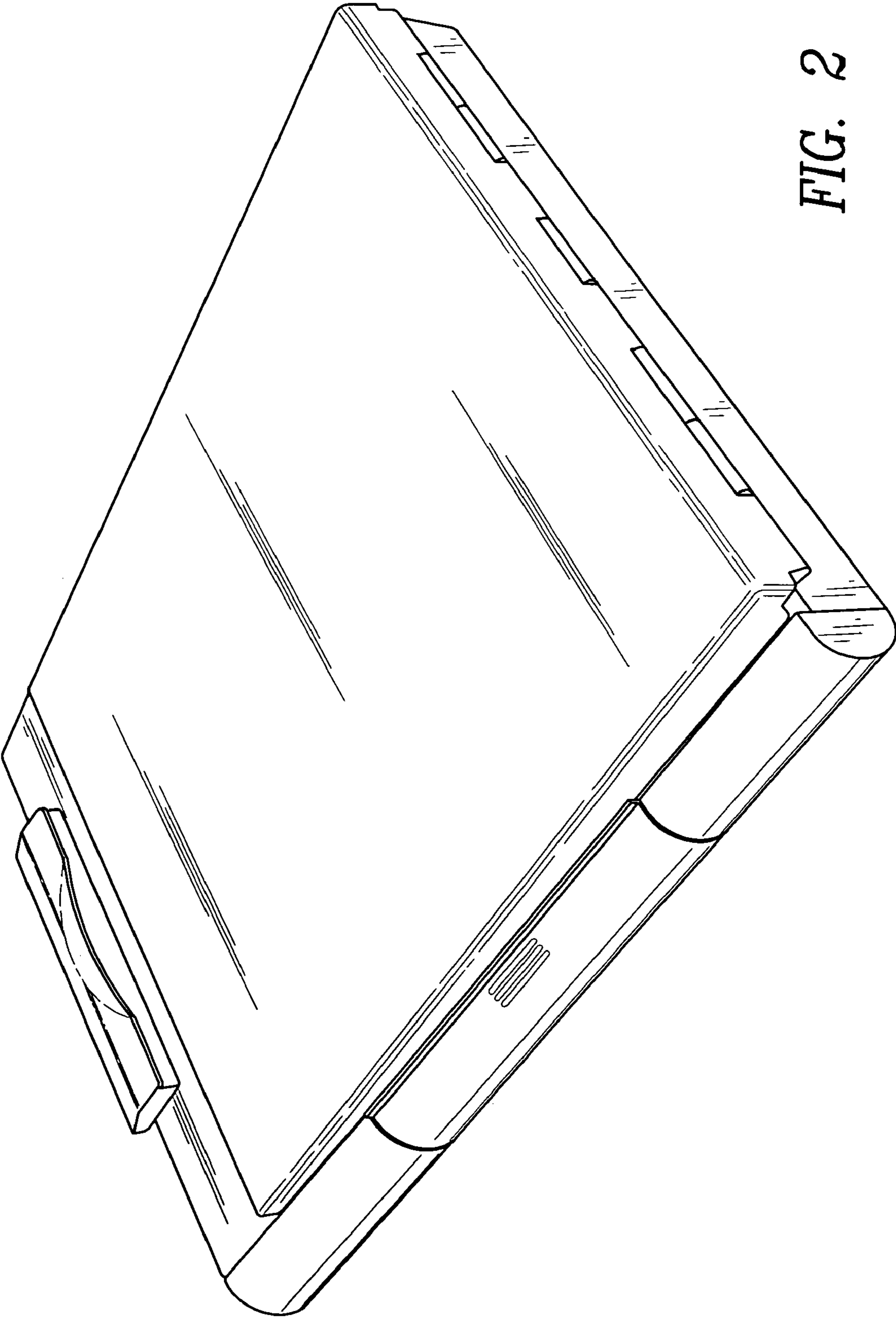


FIG. 2

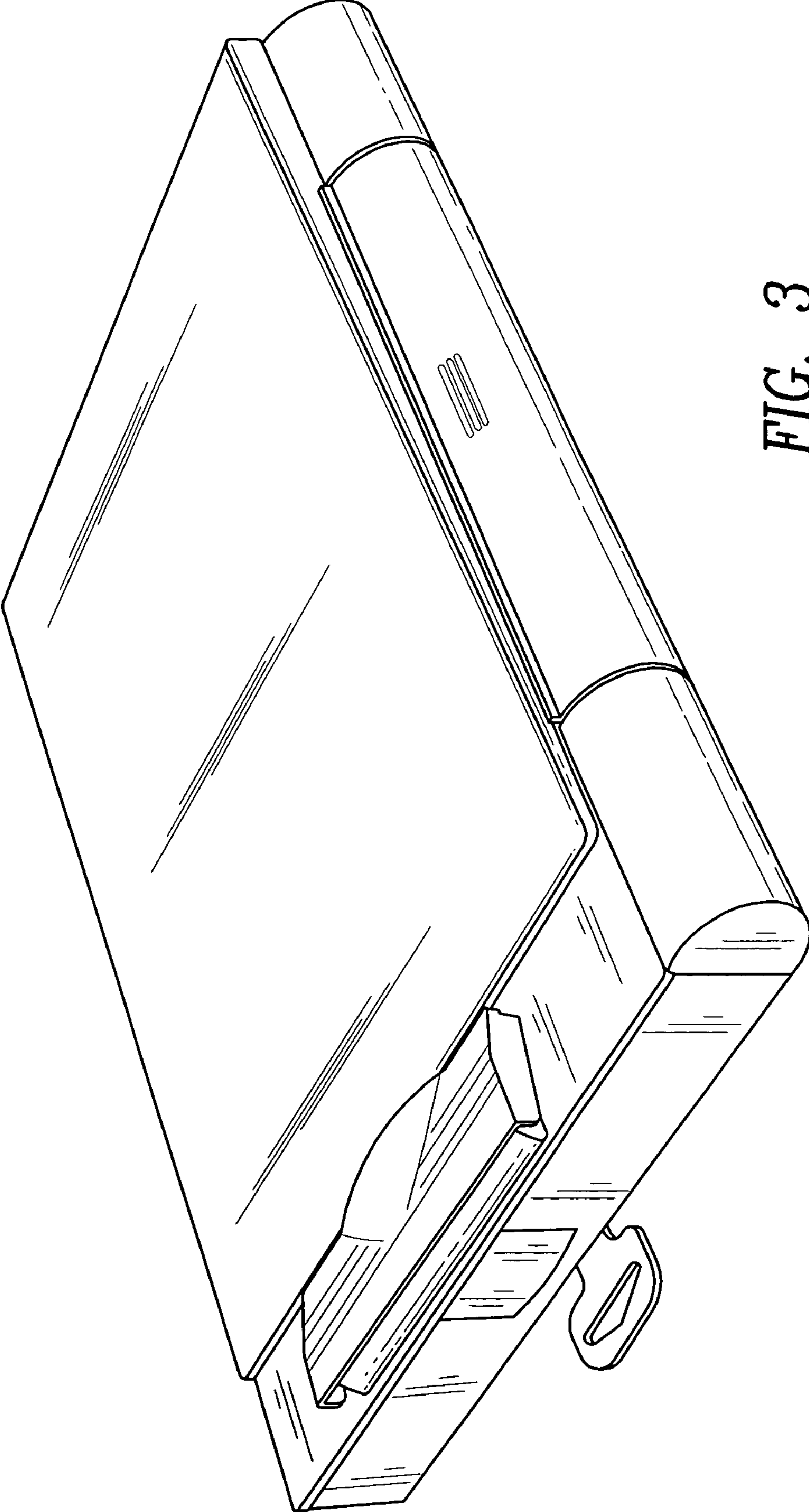


FIG. 3



FIG. 4



FIG. 5

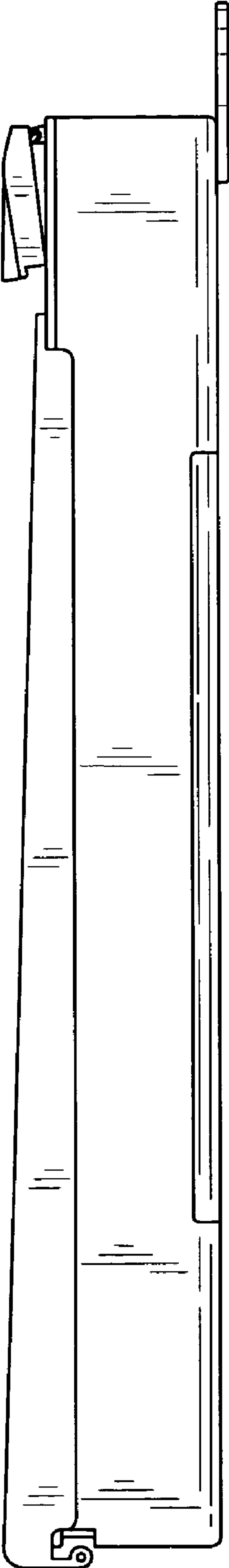


FIG. 6

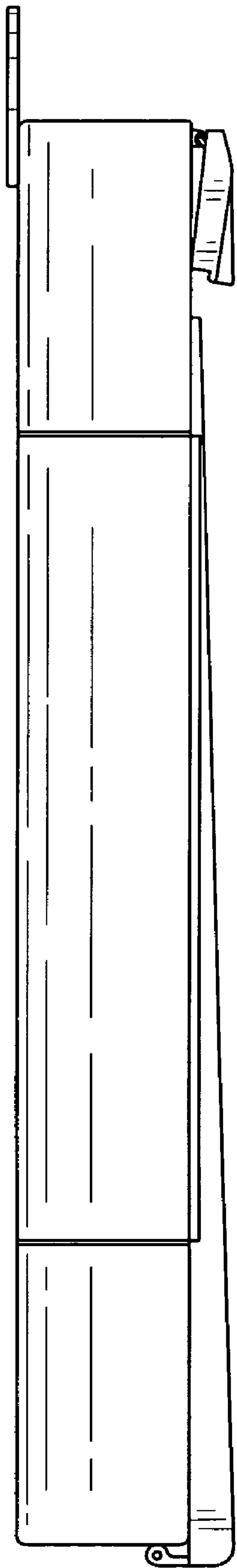


FIG. 7

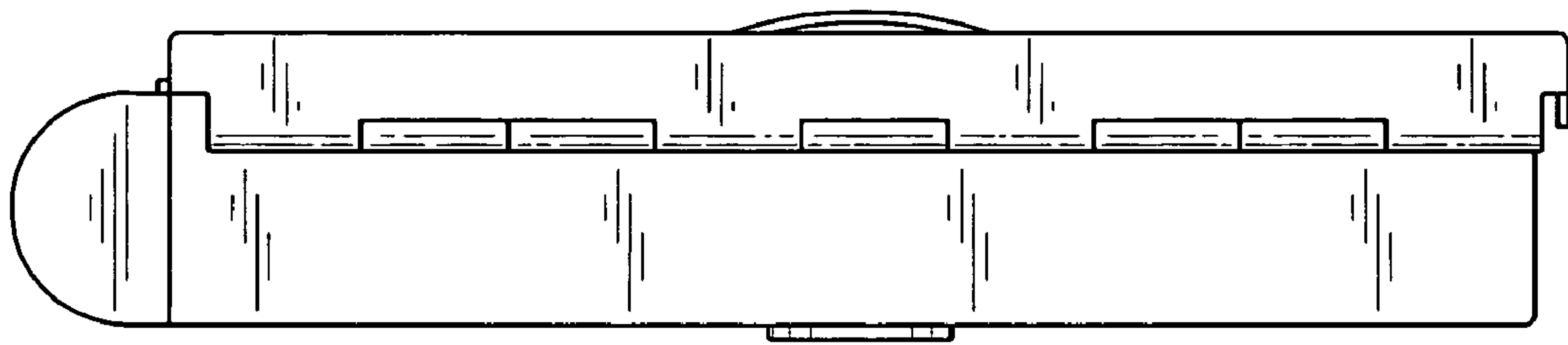


FIG. 8

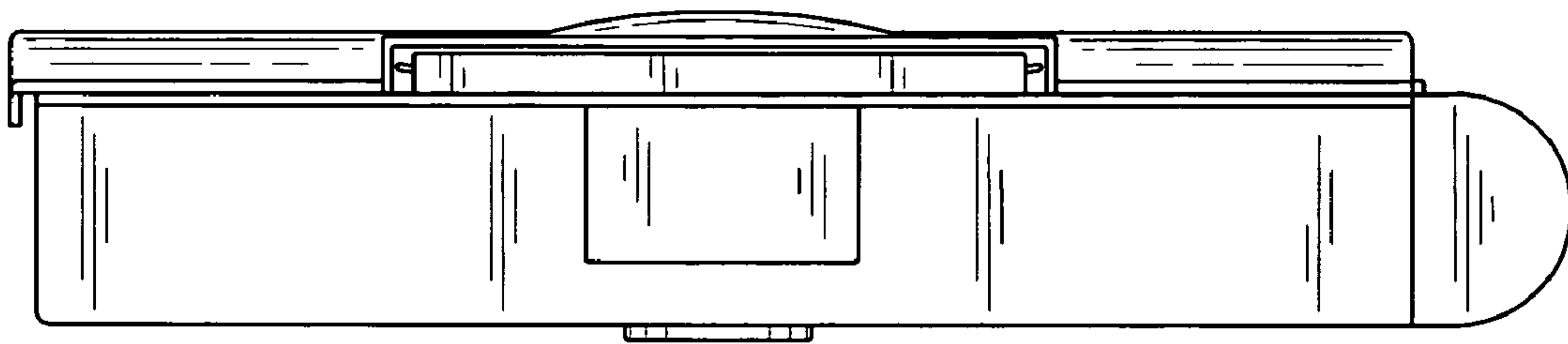


FIG. 9

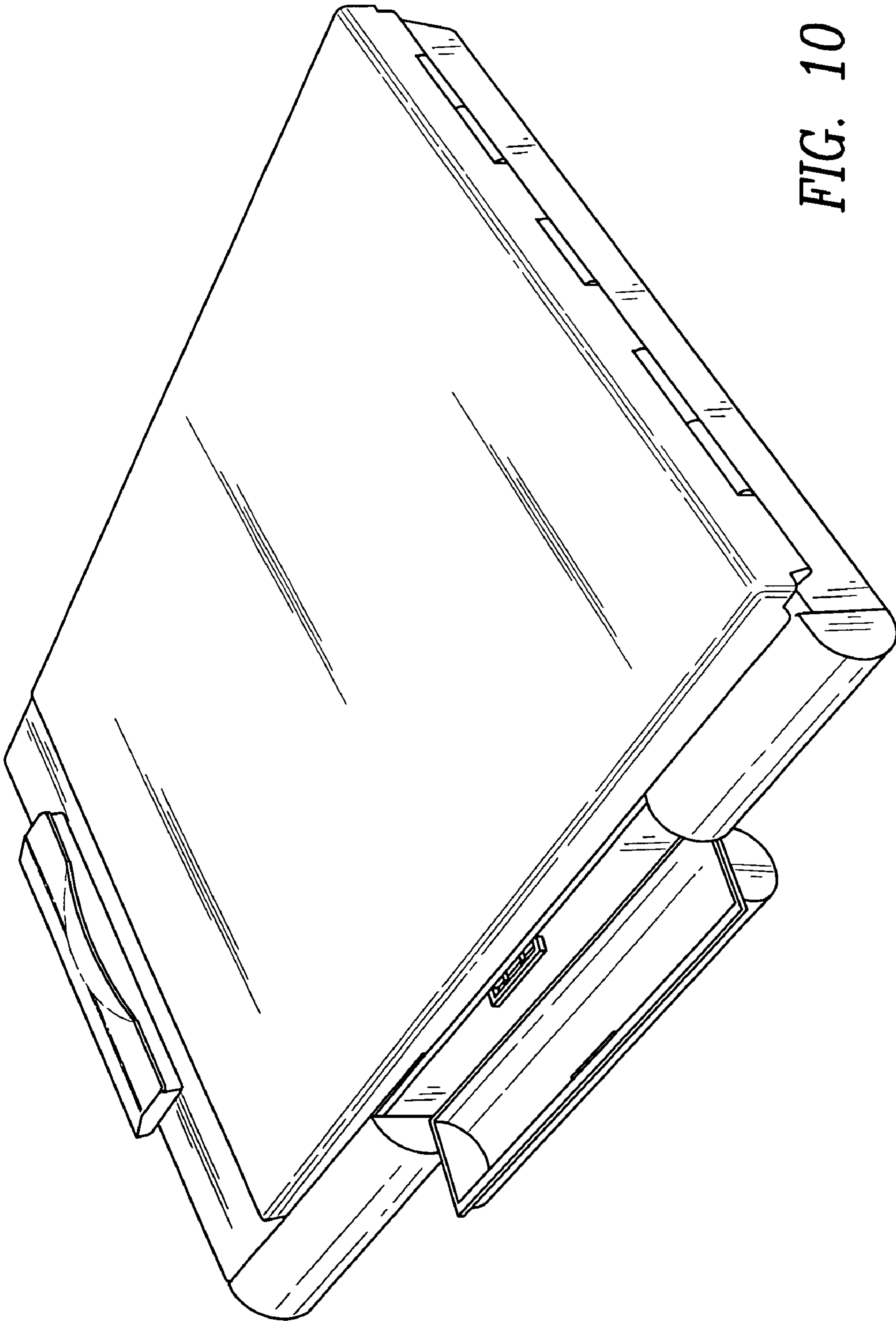


FIG. 10

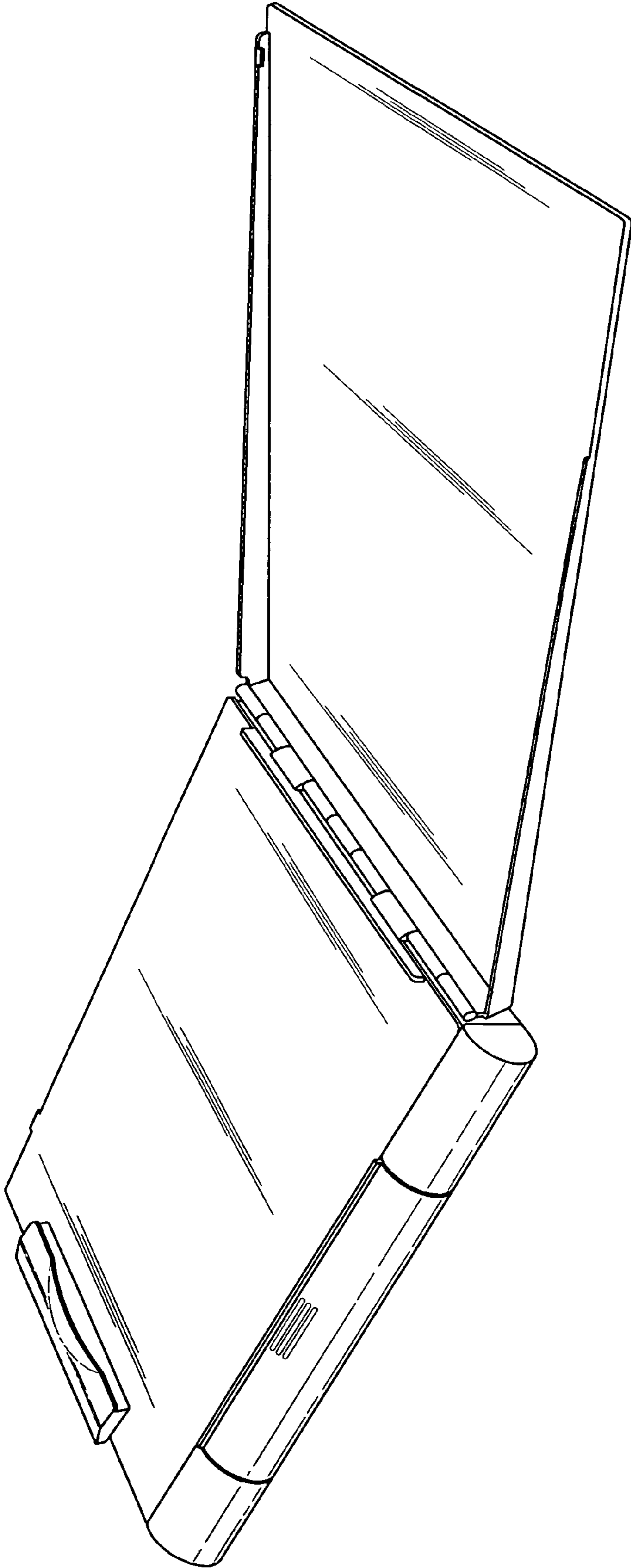


FIG. 11

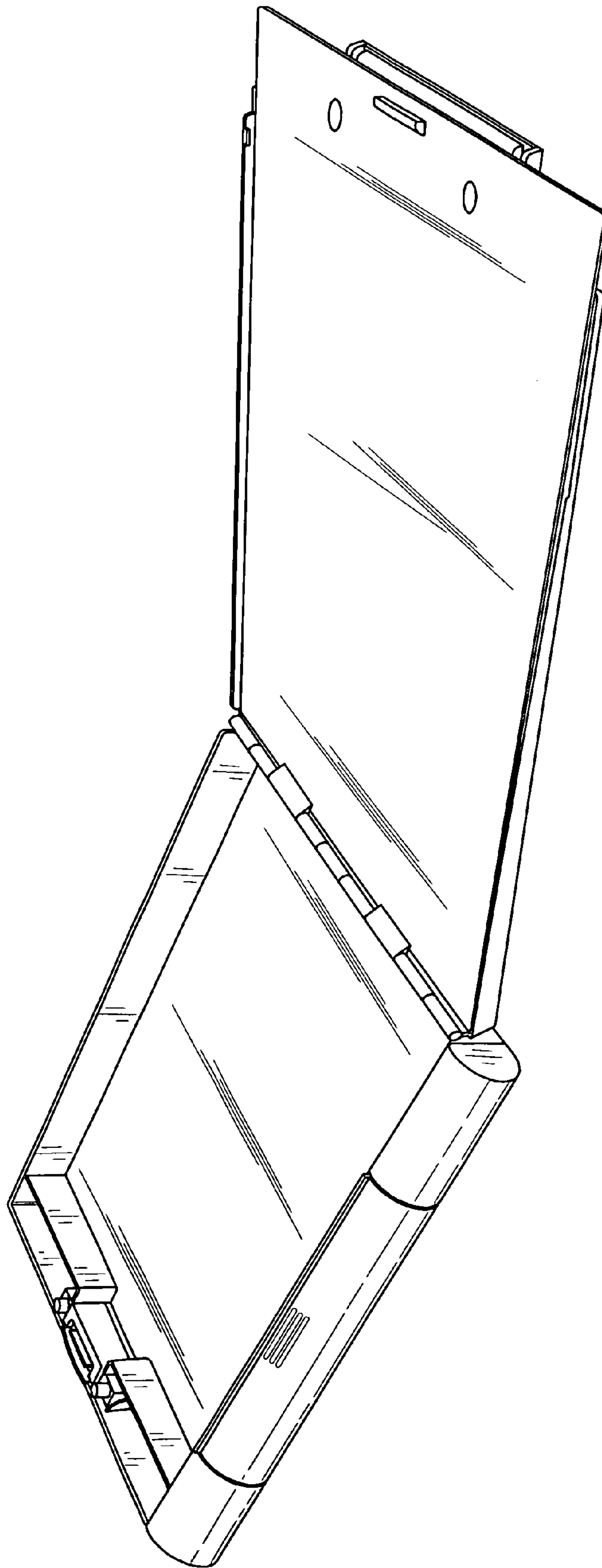


FIG. 12