



US00D611542S

(12) **United States Design Patent**
Chen et al.

(10) **Patent No.:** **US D611,542 S**
(45) **Date of Patent:** **** Mar. 9, 2010**

(54) **CLIPBOARD**

(75) Inventors: **Peter Chen**, West Windsor, NJ (US);
Jungkun Lee, Edison, NJ (US)

(73) Assignee: **Officemate International Corp.**,
Edison, NJ (US)

(**) Term: **14 Years**

(21) Appl. No.: **29/315,836**

(22) Filed: **Jul. 29, 2009**

(51) **LOC (9) Cl.** **19-02**

(52) **U.S. Cl.** **D19/88**

(58) **Field of Classification Search** D3/294,
D3/900; D8/395; D19/52, 88; 206/215,
206/224, 371, 472; 220/812; 281/45; 312/231;
362/99

See application file for complete search history.

(56) **References Cited**

U.S. PATENT DOCUMENTS

| | | | | | |
|-----------|-----|---------|------------------|-------|---------|
| 2,068,813 | A * | 1/1937 | Morey | | 362/156 |
| D225,906 | S * | 1/1973 | Cline | | D19/65 |
| D228,528 | S * | 10/1973 | Smith, Jr. | | D19/88 |
| D260,305 | S * | 8/1981 | MacGregor et al. | | D6/308 |
| D261,903 | S * | 11/1981 | Mulder | | D19/88 |
| D277,418 | S * | 1/1985 | Hemrich et al. | | D28/38 |
| D310,576 | S * | 9/1990 | Narbut et al. | | D26/58 |
| D312,278 | S * | 11/1990 | Moor | | D19/27 |
| D321,865 | S * | 11/1991 | Derocher | | D14/345 |
| D324,399 | S * | 3/1992 | Murphy | | D19/88 |
| D346,366 | S * | 4/1994 | Kim et al. | | D14/342 |
| D366,280 | S * | 1/1996 | Henderson | | D19/52 |
| 5,758,902 | A * | 6/1998 | McManus | | 281/45 |
| D408,452 | S * | 4/1999 | Coe | | D19/65 |
| 5,893,132 | A * | 4/1999 | Huffman et al. | | 715/201 |
| 5,918,395 | A * | 7/1999 | Hesmer | | 40/518 |
| D478,628 | S * | 8/2003 | Sheldon et al. | | D19/65 |
| D488,057 | S * | 4/2004 | Rosado | | D8/395 |
| D490,809 | S * | 6/2004 | Wu et al. | | D14/371 |
| D497,186 | S * | 10/2004 | Cetera | | D19/88 |
| D542,529 | S * | 5/2007 | Pearl et al. | | D3/276 |

| | | | | | |
|--------------|------|---------|--------------|-------|--------|
| D548,969 | S * | 8/2007 | Bramley | | D3/294 |
| D558,977 | S * | 1/2008 | Pearl et al. | | D3/294 |
| D575,347 | S * | 8/2008 | Fedon | | D19/88 |
| D578,381 | S * | 10/2008 | Wolff | | D8/395 |
| D594,509 | S * | 6/2009 | Chan | | D19/91 |
| 2002/0030989 | A1 * | 3/2002 | Stephen | | 362/98 |
| 2006/0208477 | A1 * | 9/2006 | Sandy | | 281/45 |

OTHER PUBLICATIONS

Saunders Recycled Aluminum Cruiser-Mate Storage Clipboard, Item 21017, amazon.com, first available on amazon.com Aug. 7, 2008, 5 pages, Sep. 14, 2009.*

* cited by examiner

Primary Examiner—Elizabeth A Albert

(74) *Attorney, Agent, or Firm*—Daniel Kirshner

(57) **CLAIM**

The ornamental design for a clipboard, as shown and described.

DESCRIPTION

FIG. 1 is a front perspective view of a clipboard showing the new design;

FIG. 2 is a front perspective view thereof;

FIG. 3 is a top view thereof;

FIG. 4 is bottom view thereof;

FIG. 5 is a front view thereof;

FIG. 6 is a rear thereof;

FIG. 7 is a right side view thereof;

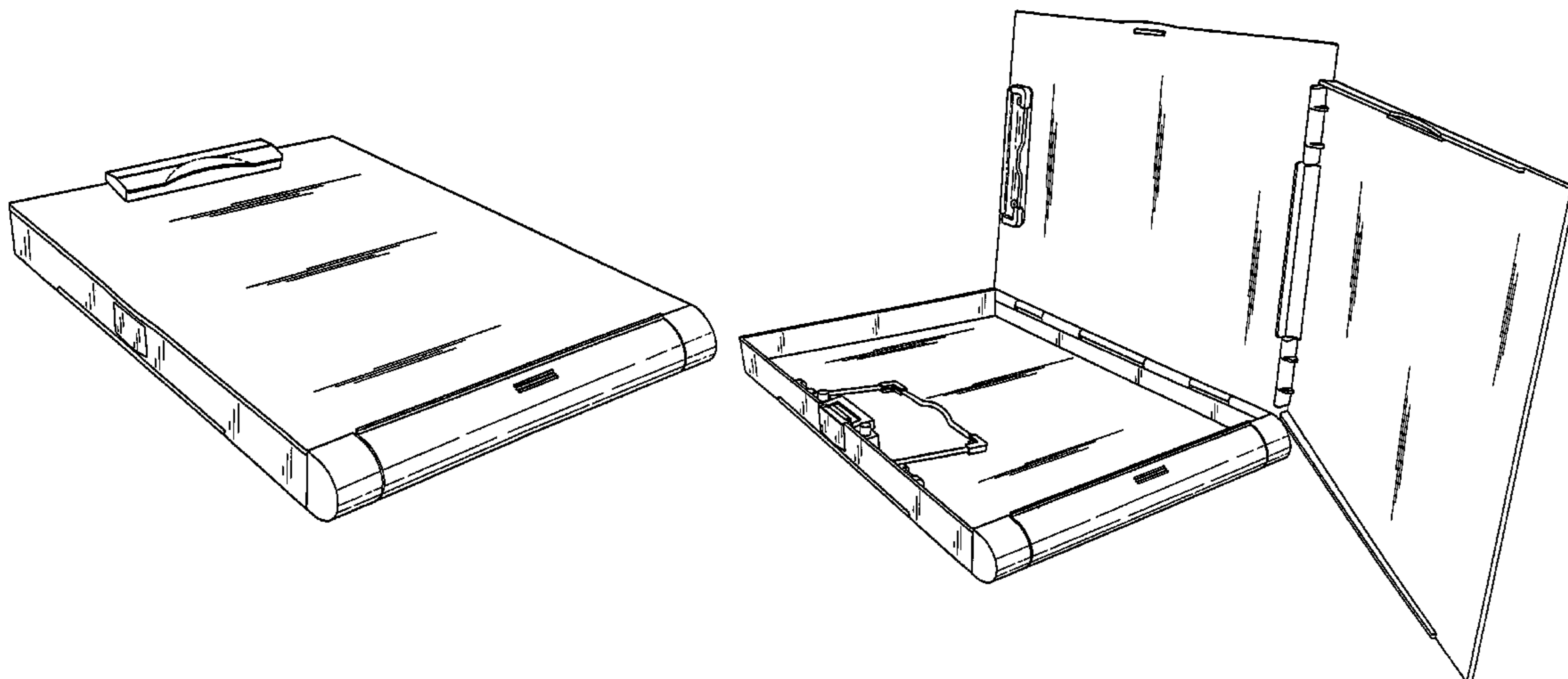
FIG. 8 is a left side view thereof;

FIG. 9 is a front perspective view thereof showing the front compartment open;

FIG. 10 is a front perspective view thereof showing its lid open; and,

FIG. 11 is a front perspective view thereof showing its lid open.

1 Claim, 11 Drawing Sheets



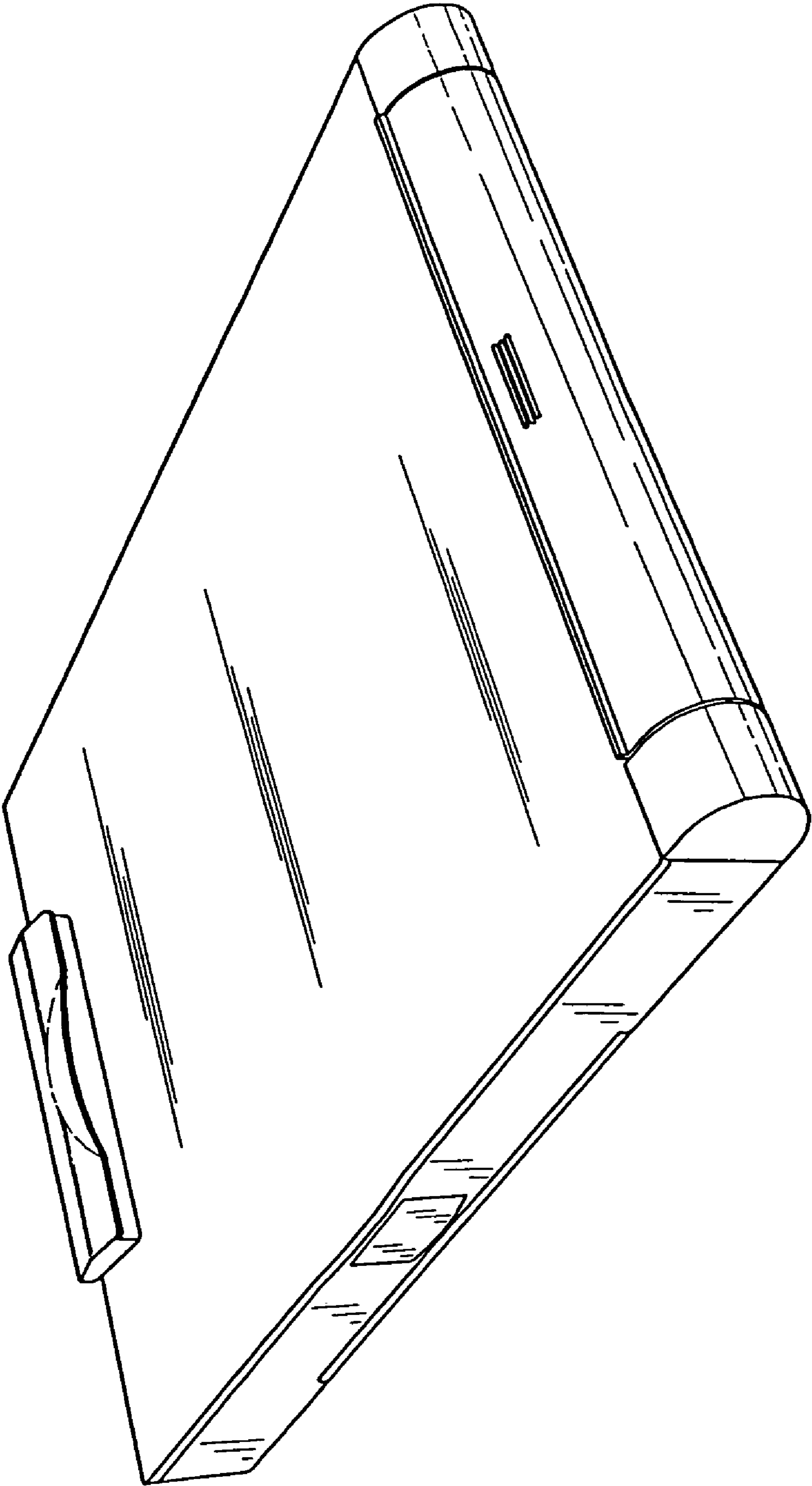


FIG. 1

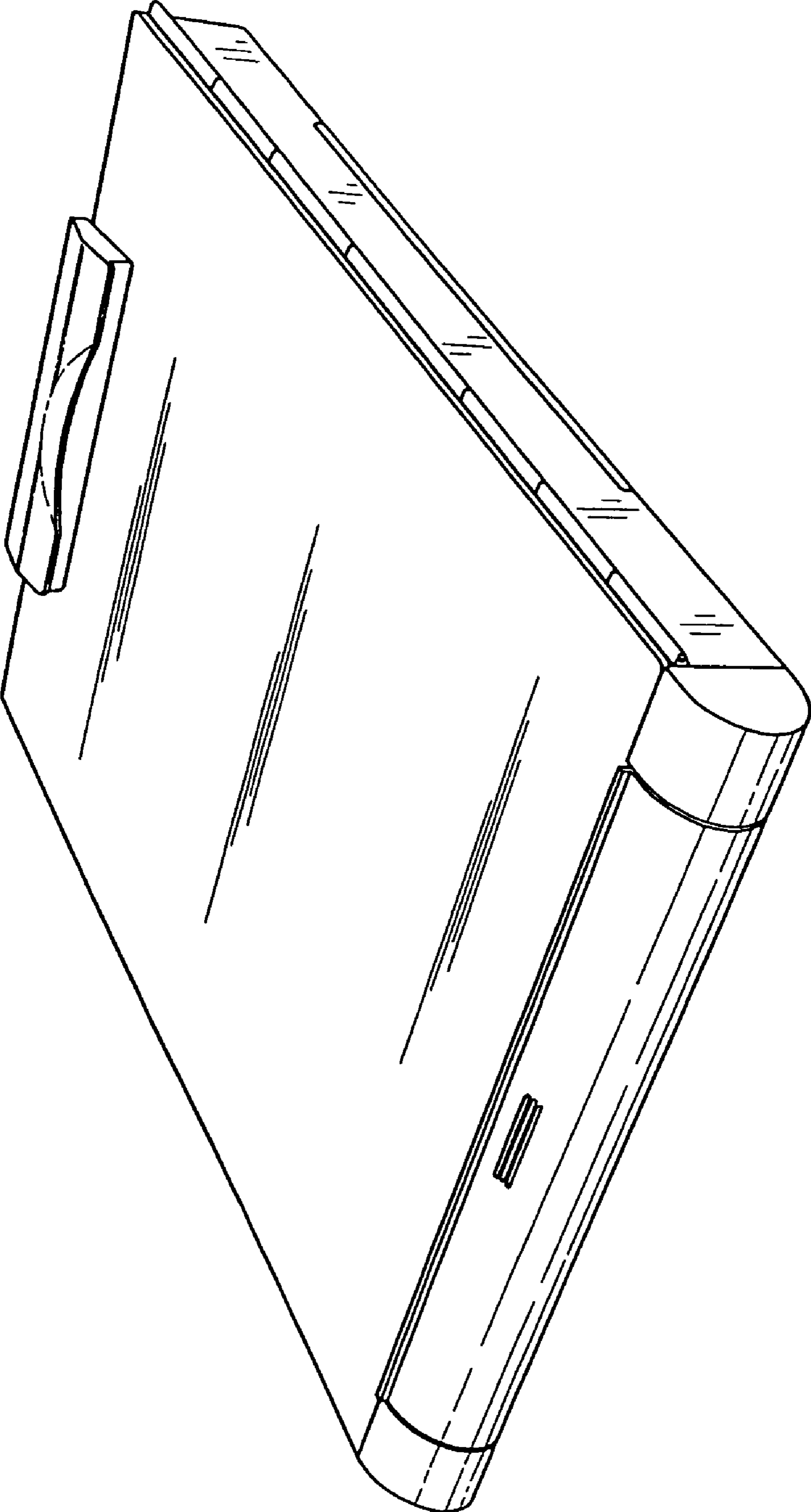


FIG. 2

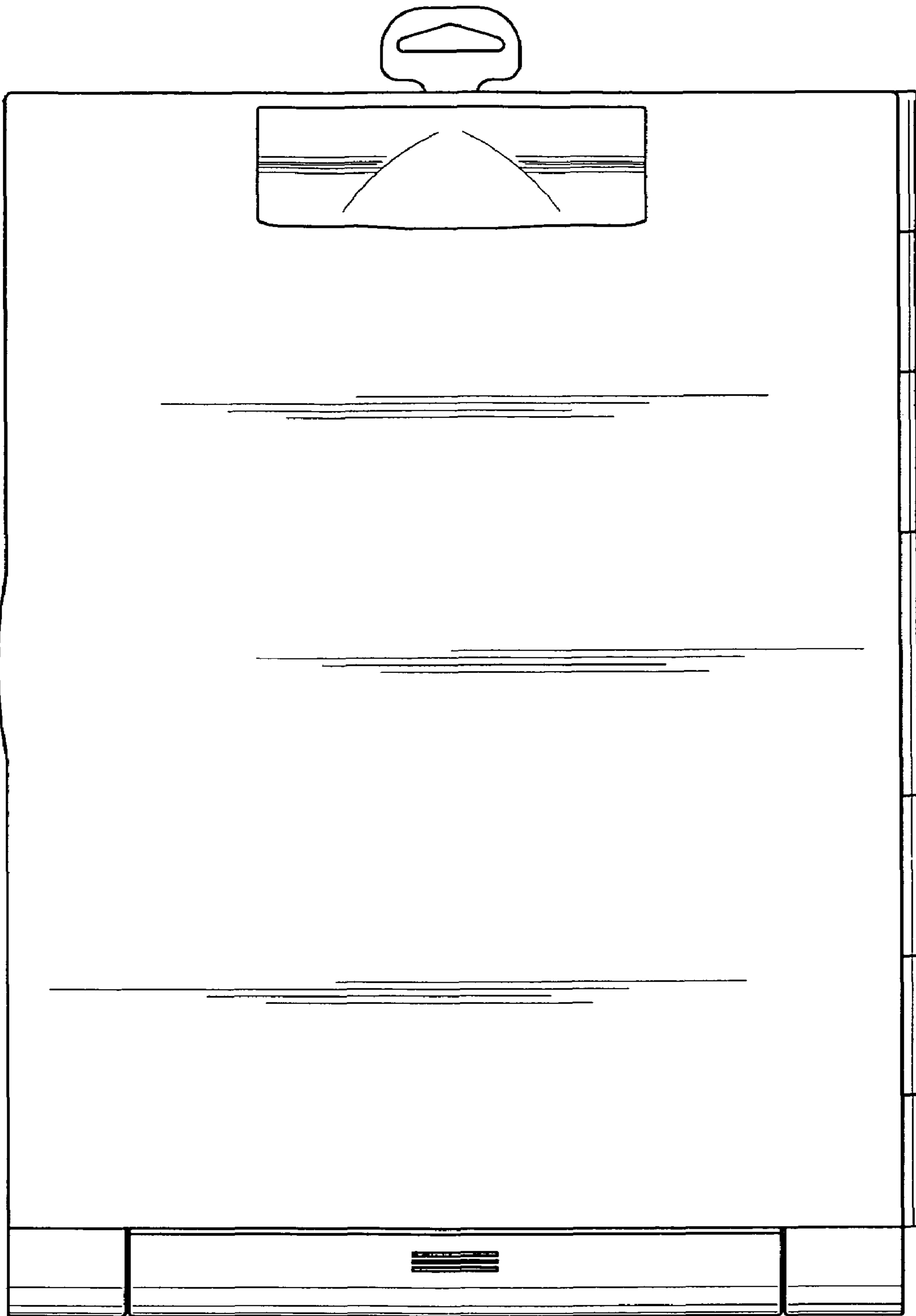


FIG. 3

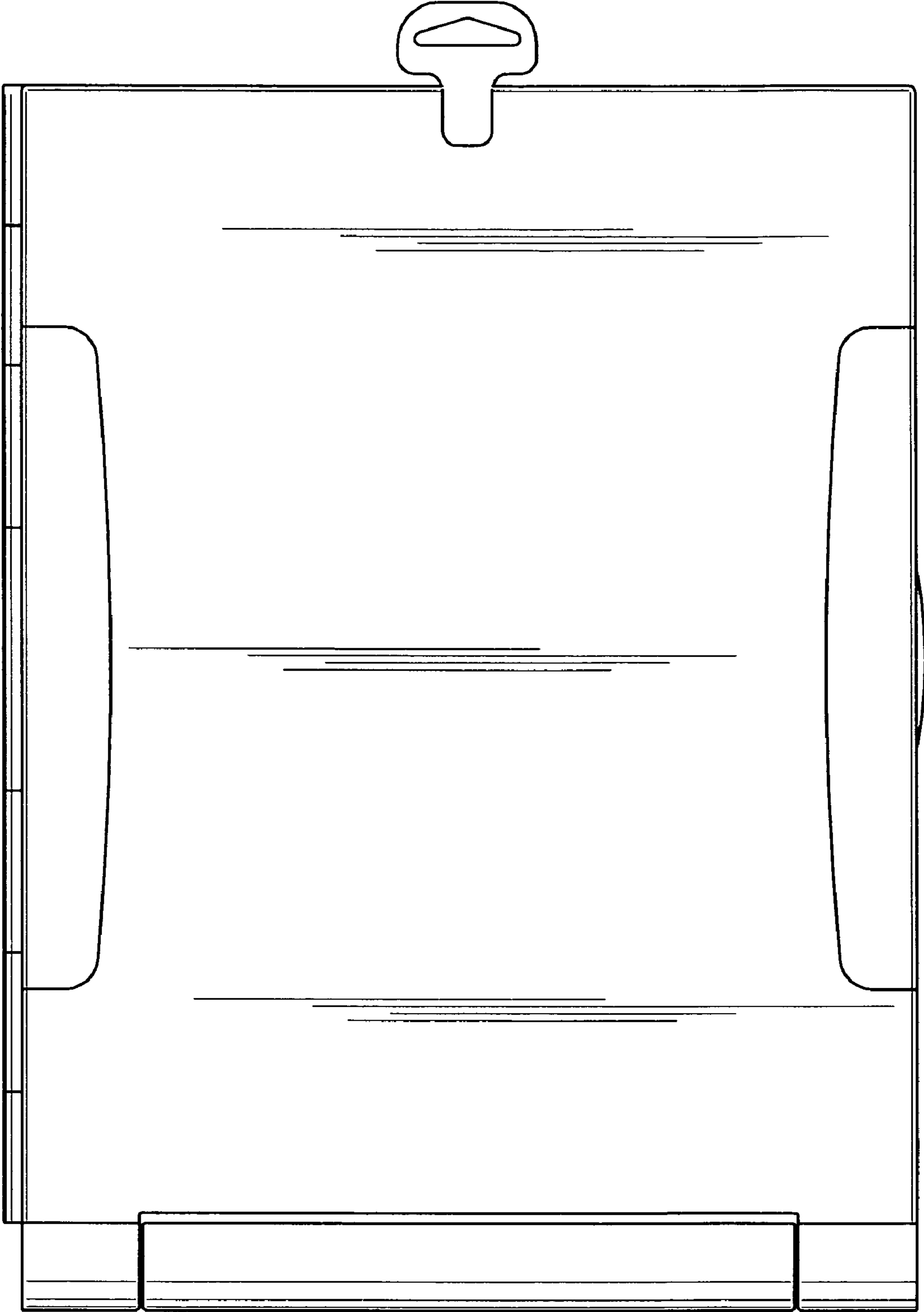


FIG. 4

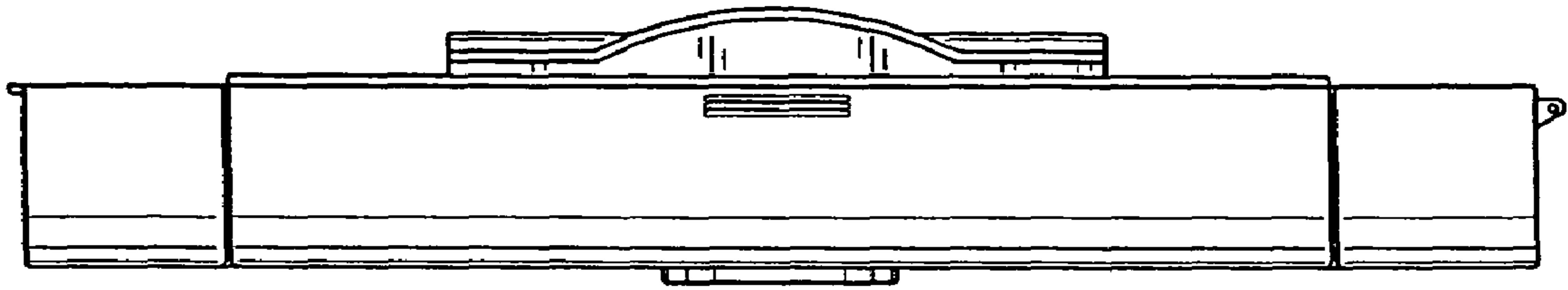


FIG. 5

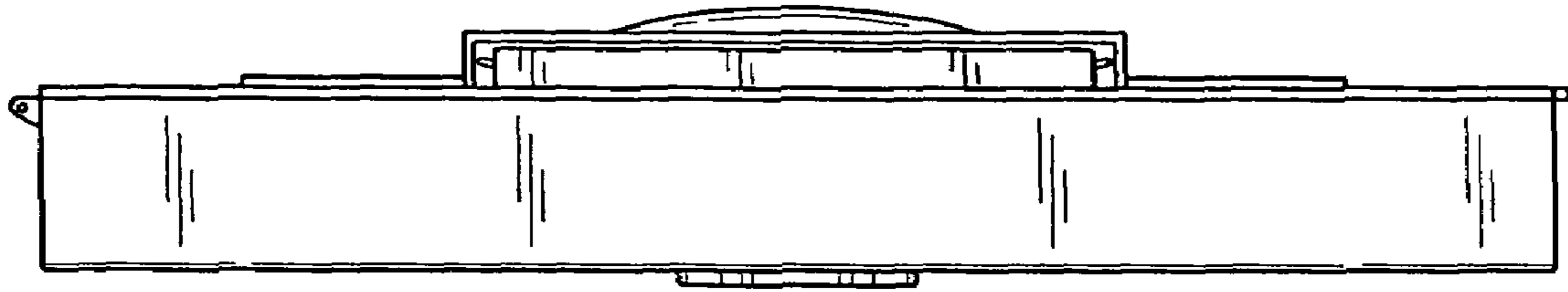


FIG. 6

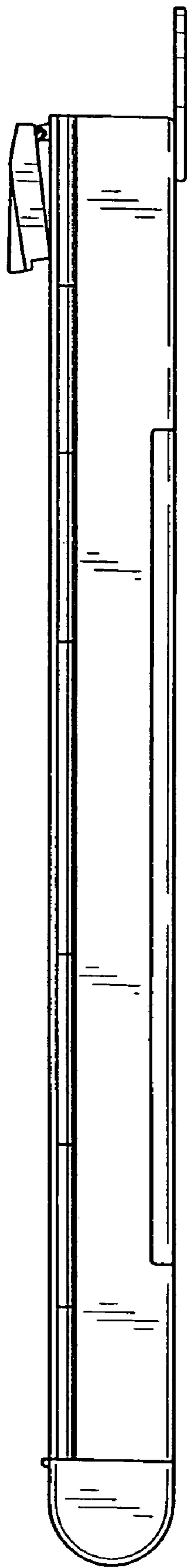


FIG. 7

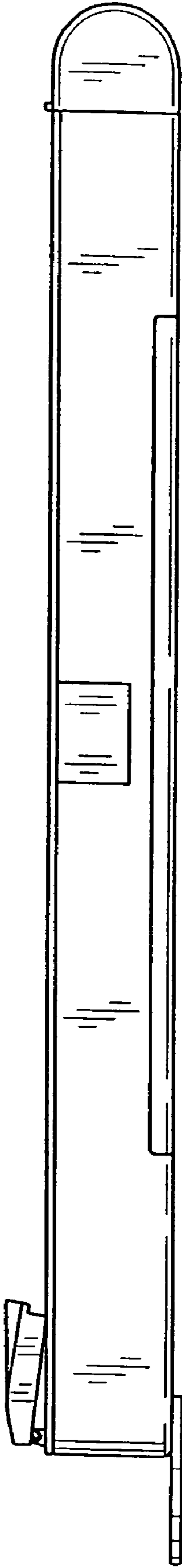


FIG. 8

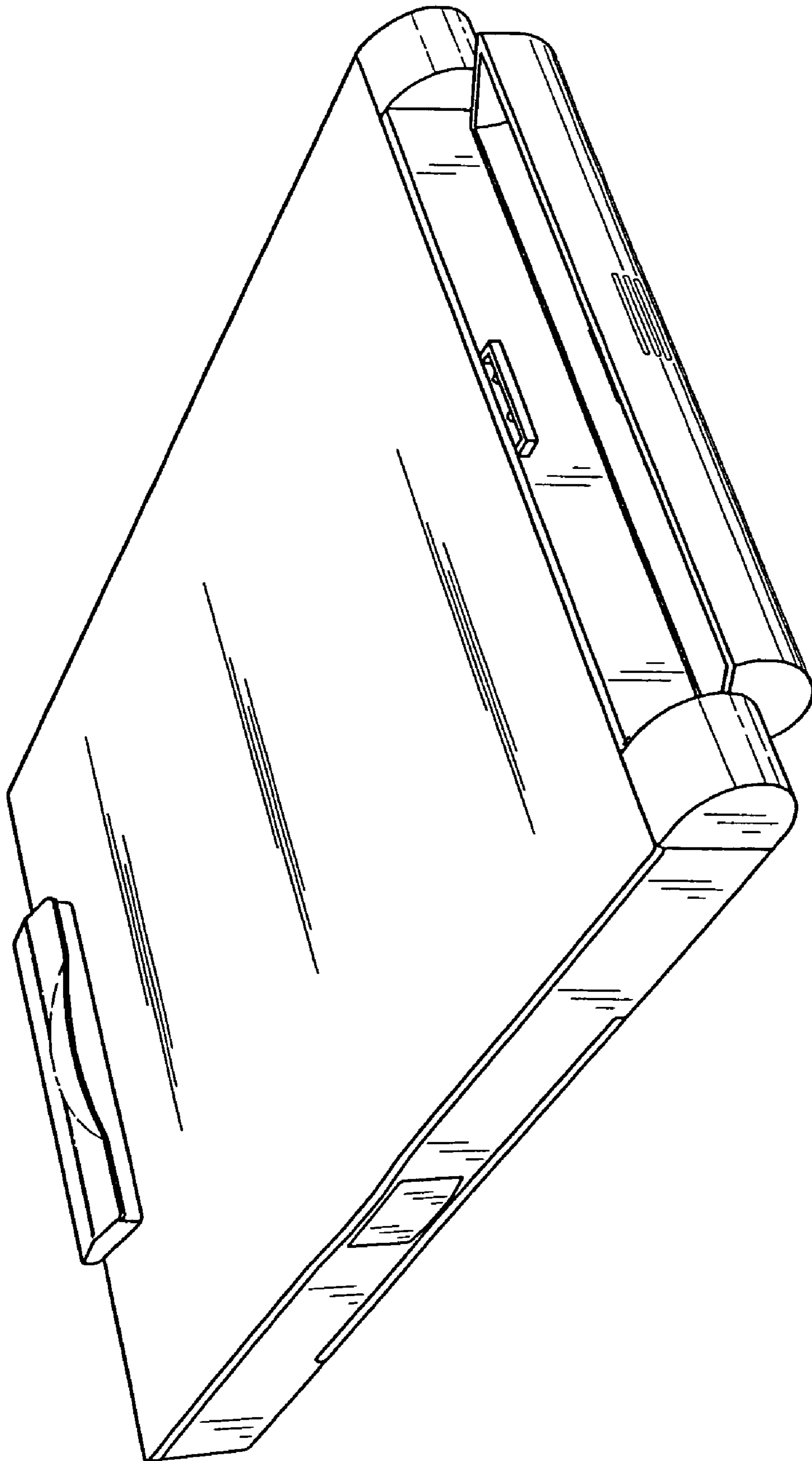


FIG. 9

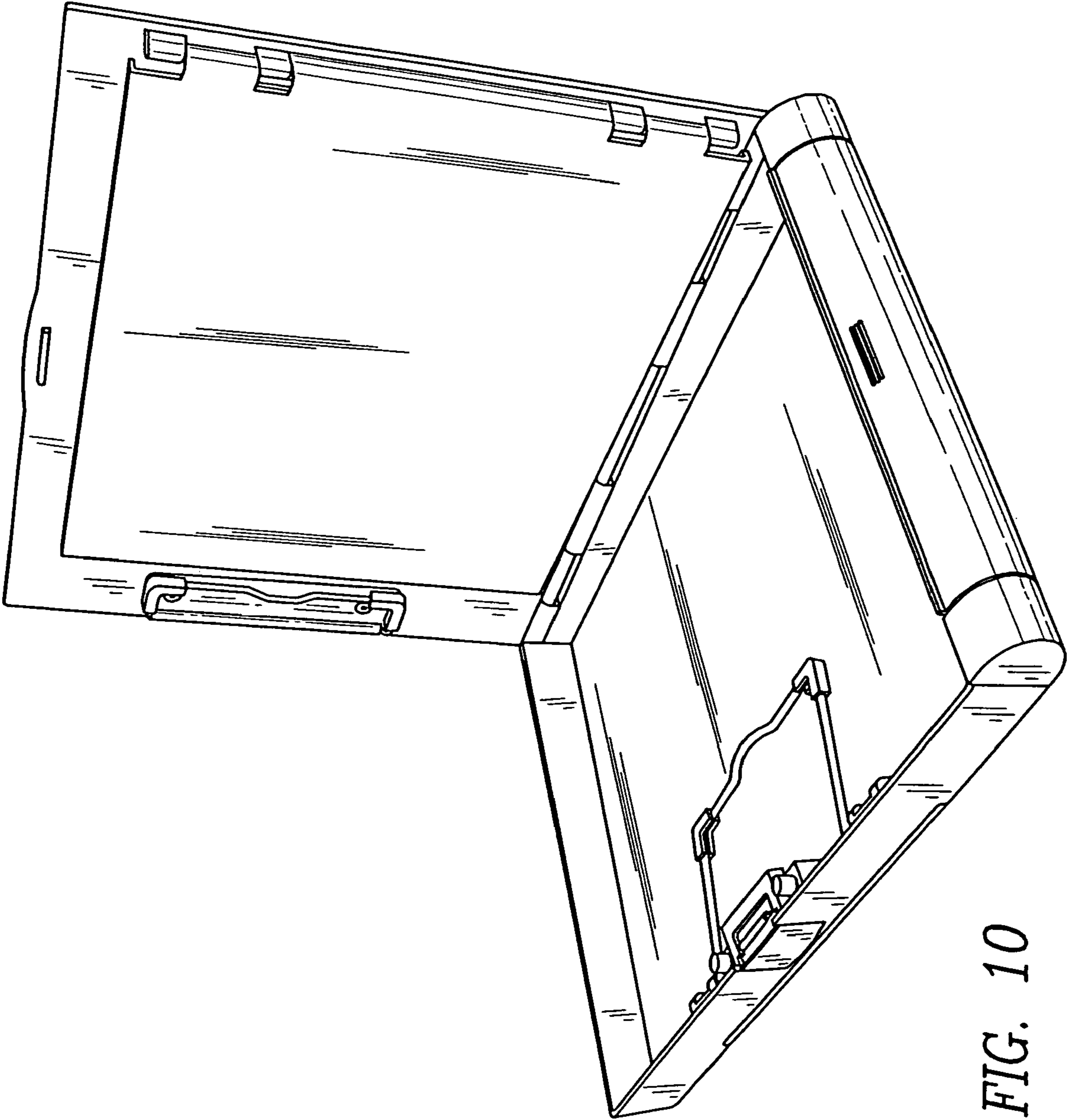


FIG. 10

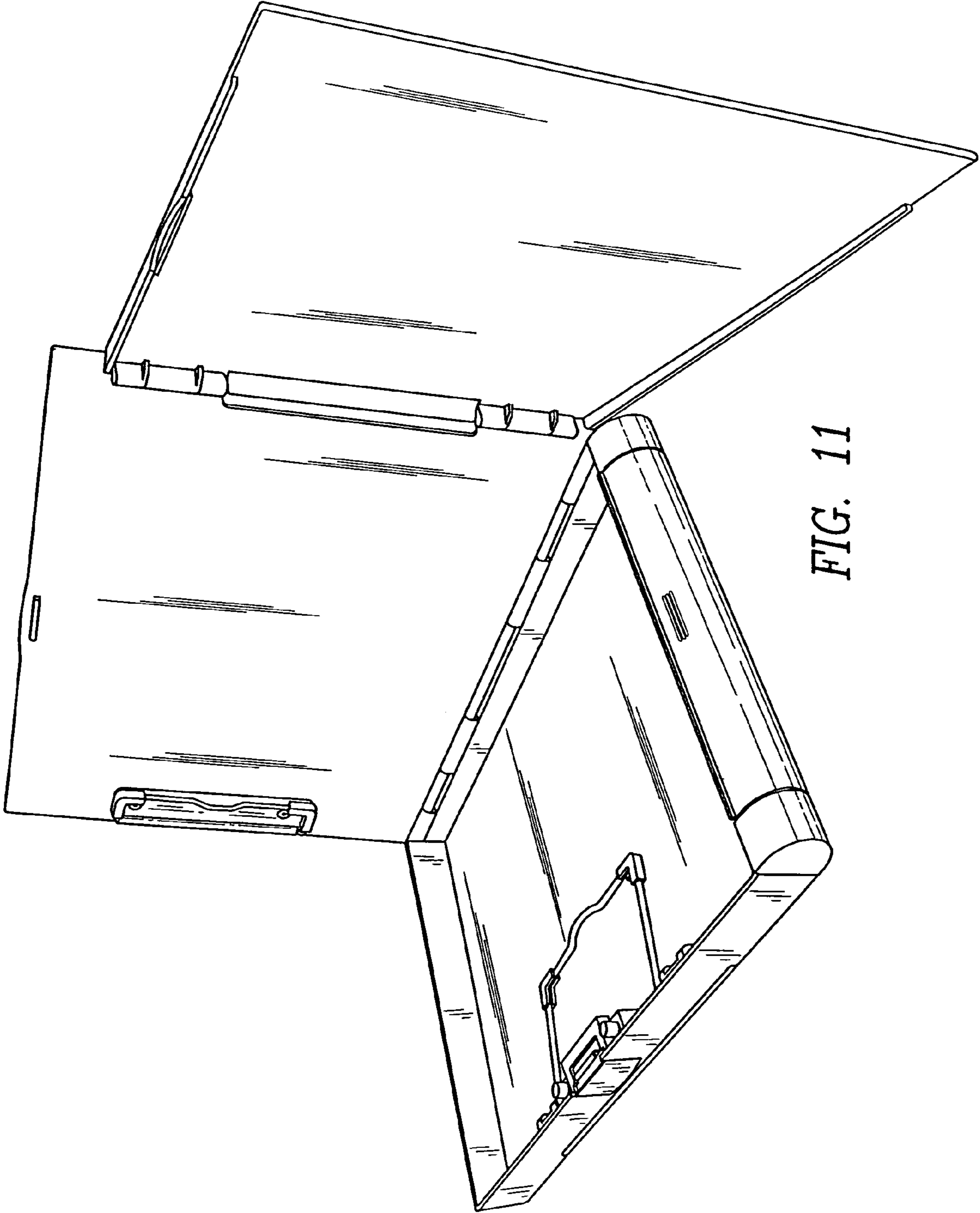


FIG. 11