



US00D611539S

(12) **United States Design Patent**
Zhang

(10) **Patent No.:** **US D611,539 S**
(45) **Date of Patent:** **** Mar. 9, 2010**

(54) **PEN**
(75) Inventor: **Biwei Zhang**, Ningbo (CN)
(73) Assignee: **Beifa Group Co., Ltd.**, Ningbo (CN)
(**) Term: **14 Years**
(21) Appl. No.: **29/330,735**
(22) Filed: **Jan. 13, 2009**

D459,393 S * 6/2002 Verhaeghe D19/43
D467,970 S * 12/2002 Pellissa Beneyto D19/43
D484,186 S * 12/2003 Monti D19/43
D488,508 S * 4/2004 Finney et al. D19/51
D490,464 S * 5/2004 Andrews et al. D19/43
D500,338 S * 12/2004 Kommer D19/43
D525,303 S * 7/2006 Andrews et al. D19/51
D545,366 S 6/2007 Ternovits
D547,375 S * 7/2007 Gerules D19/51
D548,280 S * 8/2007 Shimizu D19/48
D562,396 S 2/2008 Qiu
D597,600 S * 8/2009 Shimizu D19/49

(30) **Foreign Application Priority Data**
Jul. 25, 2008 (CN) 2008 3 0138506

FOREIGN PATENT DOCUMENTS

EM 001065585-0007 * 12/2008

(51) **LOC (9) Cl.** **19-06**
(52) **U.S. Cl.** **D19/51**
(58) **Field of Classification Search** D19/35,
D19/36, 41-51, 53-57; 24/11 F, 11 P, 11 R;
401/52, 99, 100, 104-109, 192, 195, 196
See application file for complete search history.

* cited by examiner

Primary Examiner—Elizabeth A Albert
(74) *Attorney, Agent, or Firm*—Christensen O'Connor
Johnson Kindness PLLC

(56) **References Cited**

(57) **CLAIM**

The ornamental design for a pen, as shown and described.

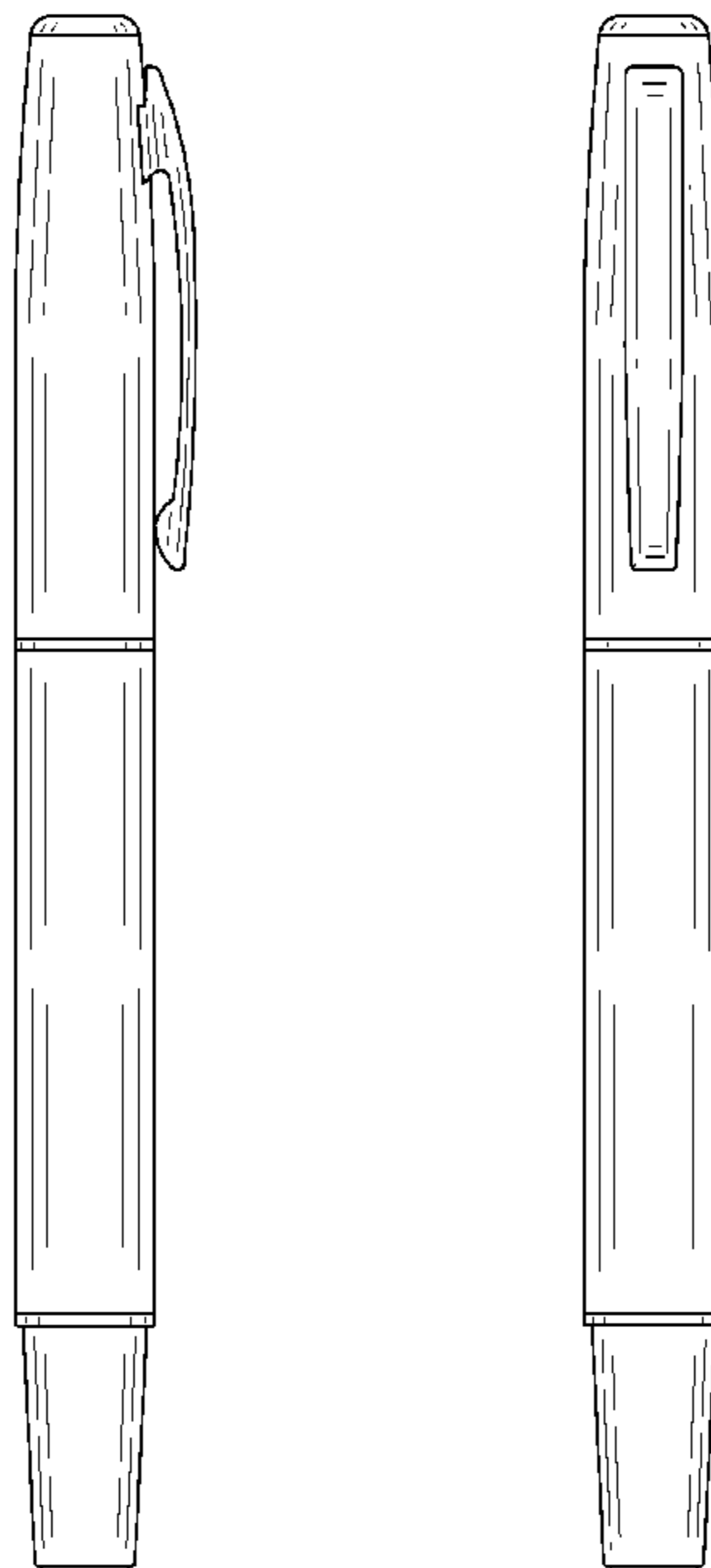
U.S. PATENT DOCUMENTS

DESCRIPTION

D221,265 S * 7/1971 Wakai D19/47
D228,690 S * 10/1973 Gomez D19/50
D240,032 S * 5/1976 Gomez D19/49
D254,912 S * 5/1980 Ito D19/48
D258,217 S * 2/1981 Sakaoka D19/49
D267,655 S 1/1983 Verona
D277,393 S 1/1985 Oyabu
D278,157 S 3/1985 Maki
D294,600 S 3/1988 Funahashi
D326,868 S * 6/1992 Nitta D19/49
D372,048 S * 7/1996 Hollington D19/43
D430,208 S * 8/2000 Veillon D19/50
D436,995 S * 1/2001 Veillon D19/43
D440,601 S * 4/2001 Sasaki D19/43

FIG. 1 is an upper front left perspective view of a pen showing my new design;
FIG. 2 is a left side elevation view thereof;
FIG. 3 is an enlarged top plan view thereof;
FIG. 4 is a front elevation view thereof;
FIG. 5 is a right side elevation view thereof;
FIG. 6 is an enlarged bottom plan view thereof; and,
FIG. 7 is a rear elevation view thereof.

1 Claim, 3 Drawing Sheets



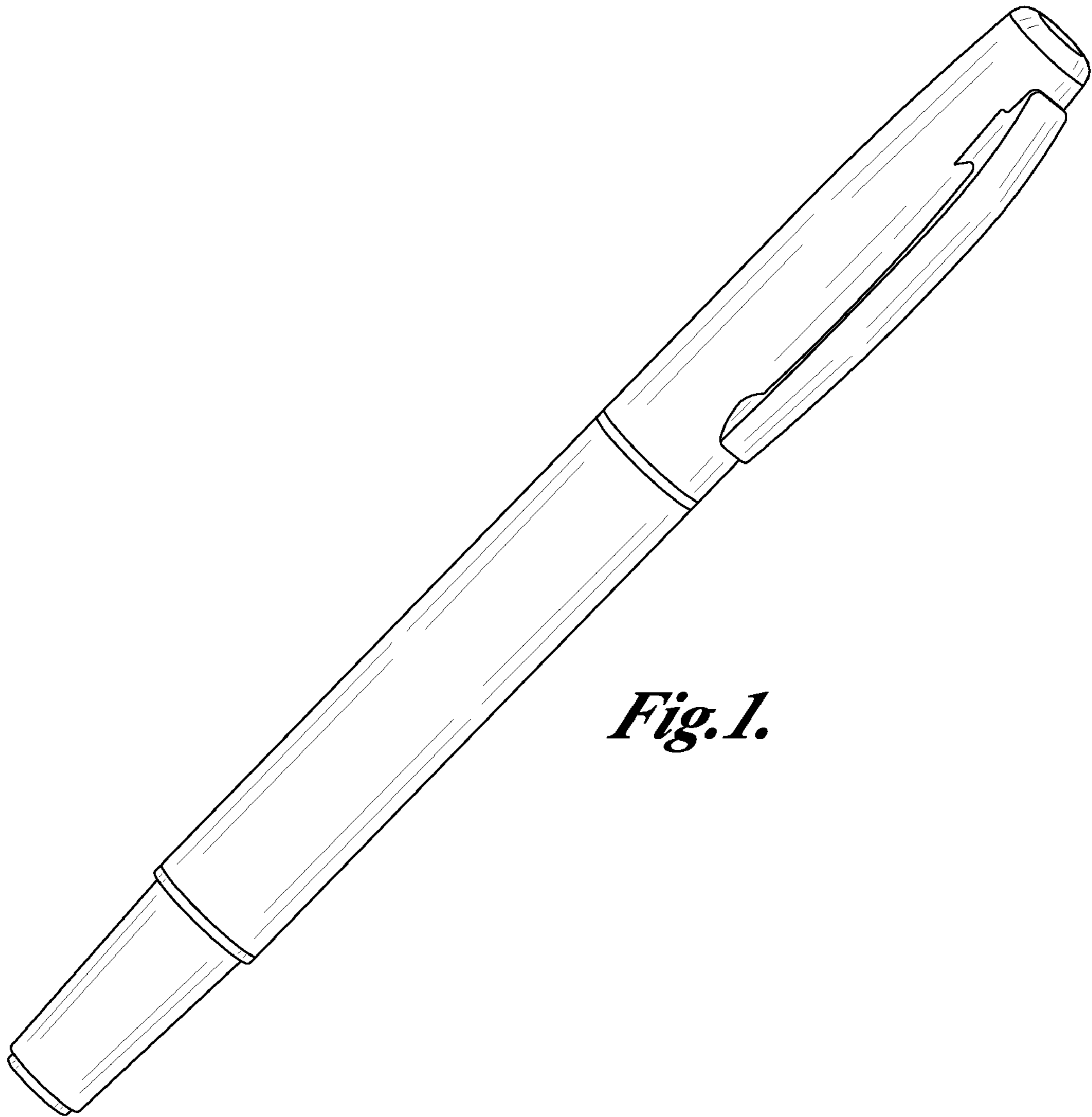


Fig. 1.

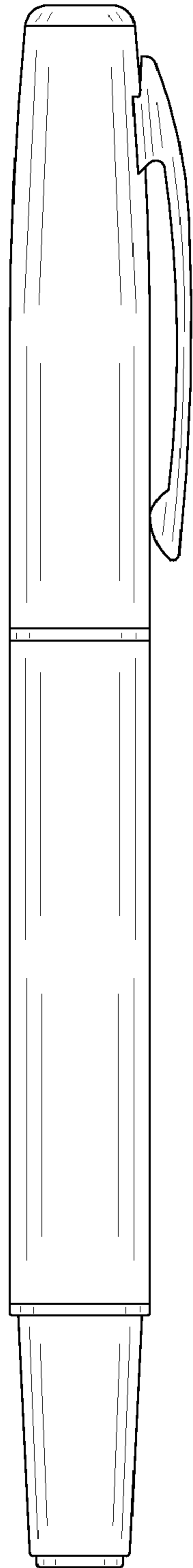


Fig. 2.

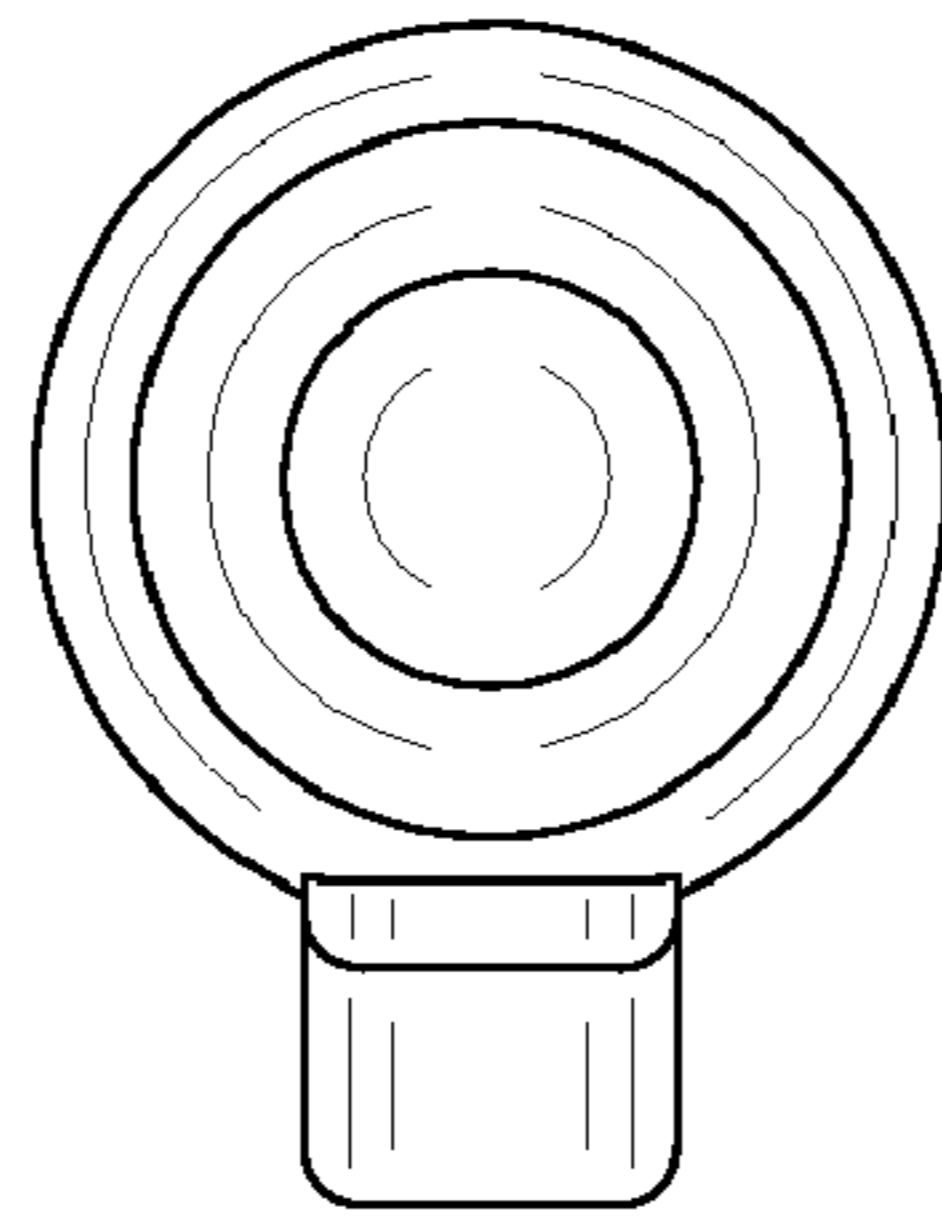


Fig. 3.

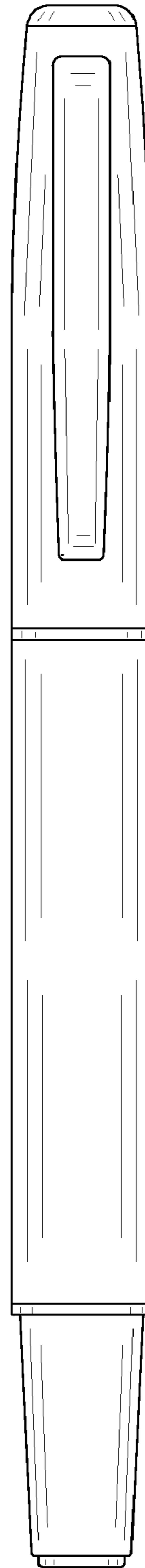


Fig. 4.



Fig. 5.

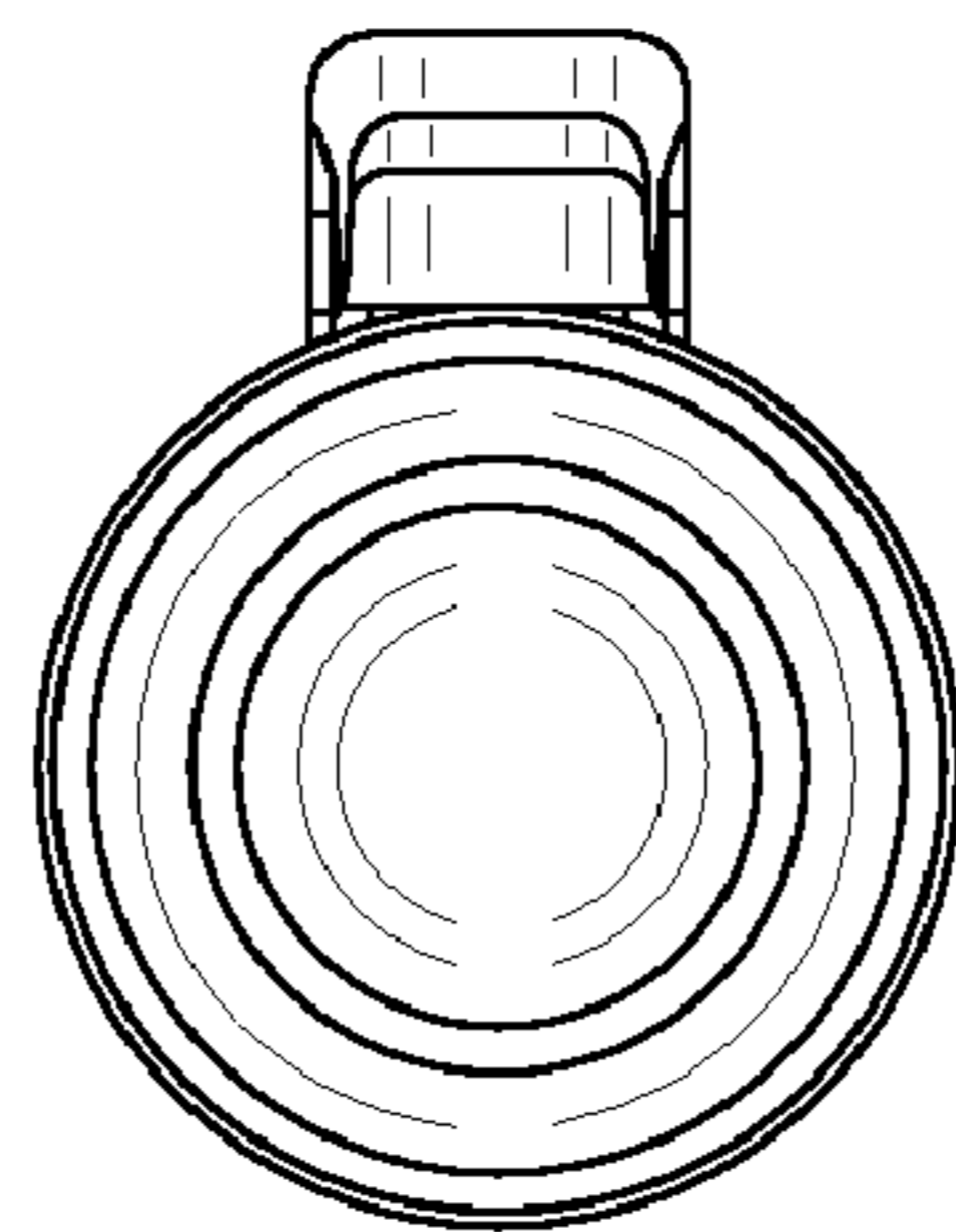


Fig. 6.

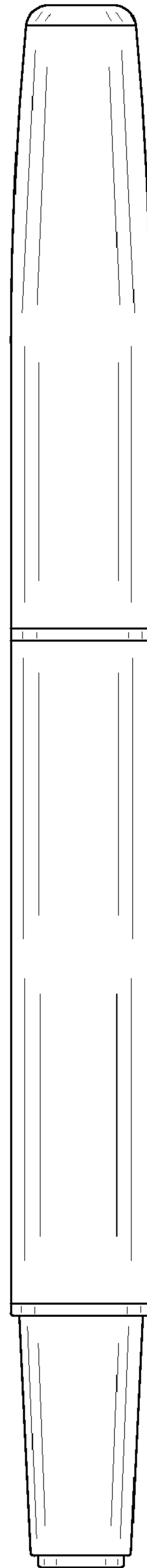


Fig. 7.