



US00D611533S

(12) **United States Design Patent**  
**Baker et al.**

(10) **Patent No.:** **US D611,533 S**  
(45) **Date of Patent:** **\*\* Mar. 9, 2010**

(54) **DOCUMENT ORGANIZER**

(75) Inventors: **Jeff Baker**, Orlando, FL (US); **Mark Bunker**, Orlando, FL (US); **Seth Freytag**, Windermere, FL (US); **Kelly Harden**, Orlando, FL (US)

(73) Assignee: **Noble Marketing, Inc.**, Orlando, FL (US)

(\*\*) Term: **14 Years**

(21) Appl. No.: **29/335,712**

(22) Filed: **Apr. 20, 2009**

(51) **LOC (9) Cl.** ..... **19-04**

(52) **U.S. Cl.** ..... **D19/27**

(58) **Field of Classification Search** ..... D6/626,  
D6/632, 407; D3/303, 301; D19/27, 26,  
D19/90, 30, 31; D9/423; 402/73; 281/37,  
281/31, 4, 29, 2

See application file for complete search history.

(56) **References Cited**

**U.S. PATENT DOCUMENTS**

4,219,951	A	*	9/1980	Schmidt	.....	40/530
5,575,504	A	*	11/1996	Wagner	.....	281/29
D406,603	S	*	3/1999	Karten	.....	D19/27
D407,433	S	*	3/1999	Hodes	.....	D19/27
D425,116	S	*	5/2000	Pflug	.....	D19/27
D435,269	S	*	12/2000	Karten et al.	.....	D19/27
D471,014	S	*	3/2003	Shapiro	.....	D3/303
D476,032	S	*	6/2003	Marchand	.....	D19/26
D486,518	S	*	2/2004	Africa et al.	.....	D19/27
D504,463	S	*	4/2005	Wehmeyer	.....	D19/26
D513,279	S	*	12/2005	Hough et al.	.....	D19/86
D518,105	S	*	3/2006	Hough et al.	.....	D19/86

D529,087	S	*	9/2006	Dixon	.....	D19/27
D544,539	S	*	6/2007	Singh	.....	D19/27
D581,458	S	*	11/2008	Stockstill et al.	.....	D19/26
D591,343	S	*	4/2009	Hussy et al.	.....	D19/27
D599,852	S	*	9/2009	Baker et al.	.....	D19/27

\* cited by examiner

*Primary Examiner*—Cathron C Brooks

*Assistant Examiner*—Austin Murphy

(74) *Attorney, Agent, or Firm*—Timothy H. Van Dyke;  
Beusse Wolter Sanks Mora & Maire

(57) **CLAIM**

The ornamental design for a document organizer, as shown and described.

**DESCRIPTION**

FIG. 1 shows a perspective, end view of a document organizer.

FIG. 2 is a top plan view of a document organizer.

FIG. 3 is a side, elevational view of a document organizer.

FIG. 4 is a side, elevational view of a document organizer.

FIG. 5 is a back, plan view of a document organizer.

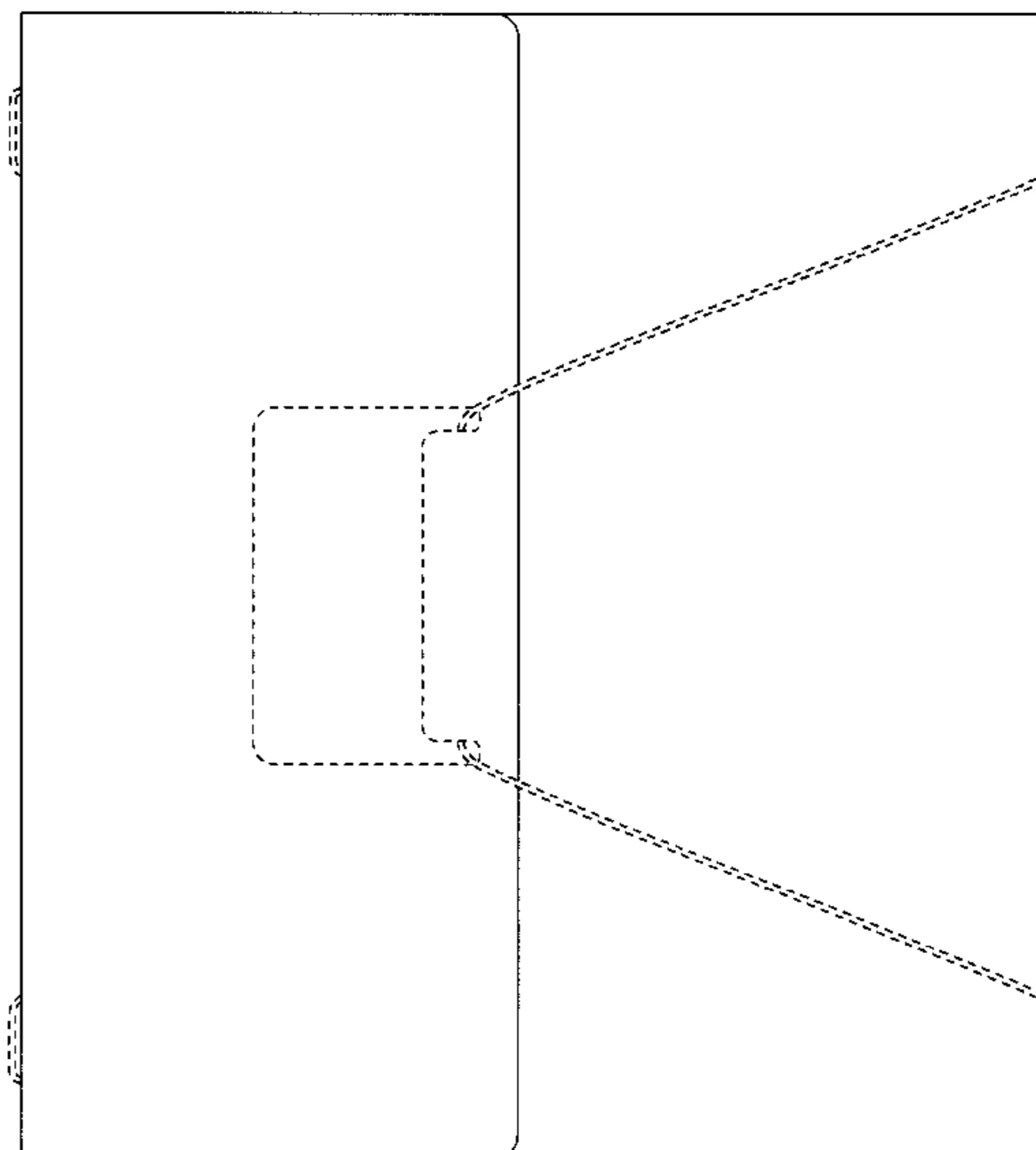
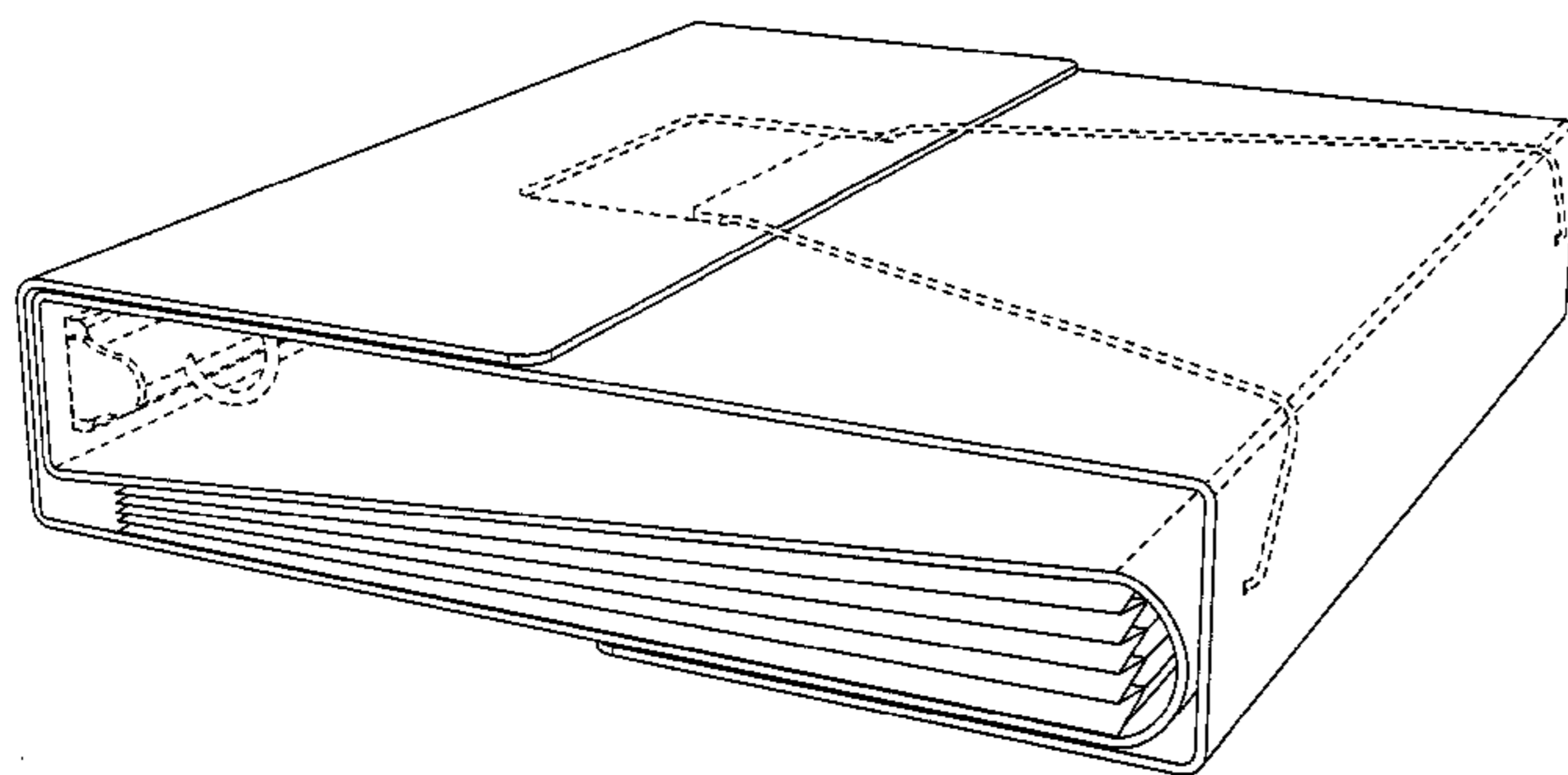
FIG. 6 shows an end, elevational view of a document organizer; and,

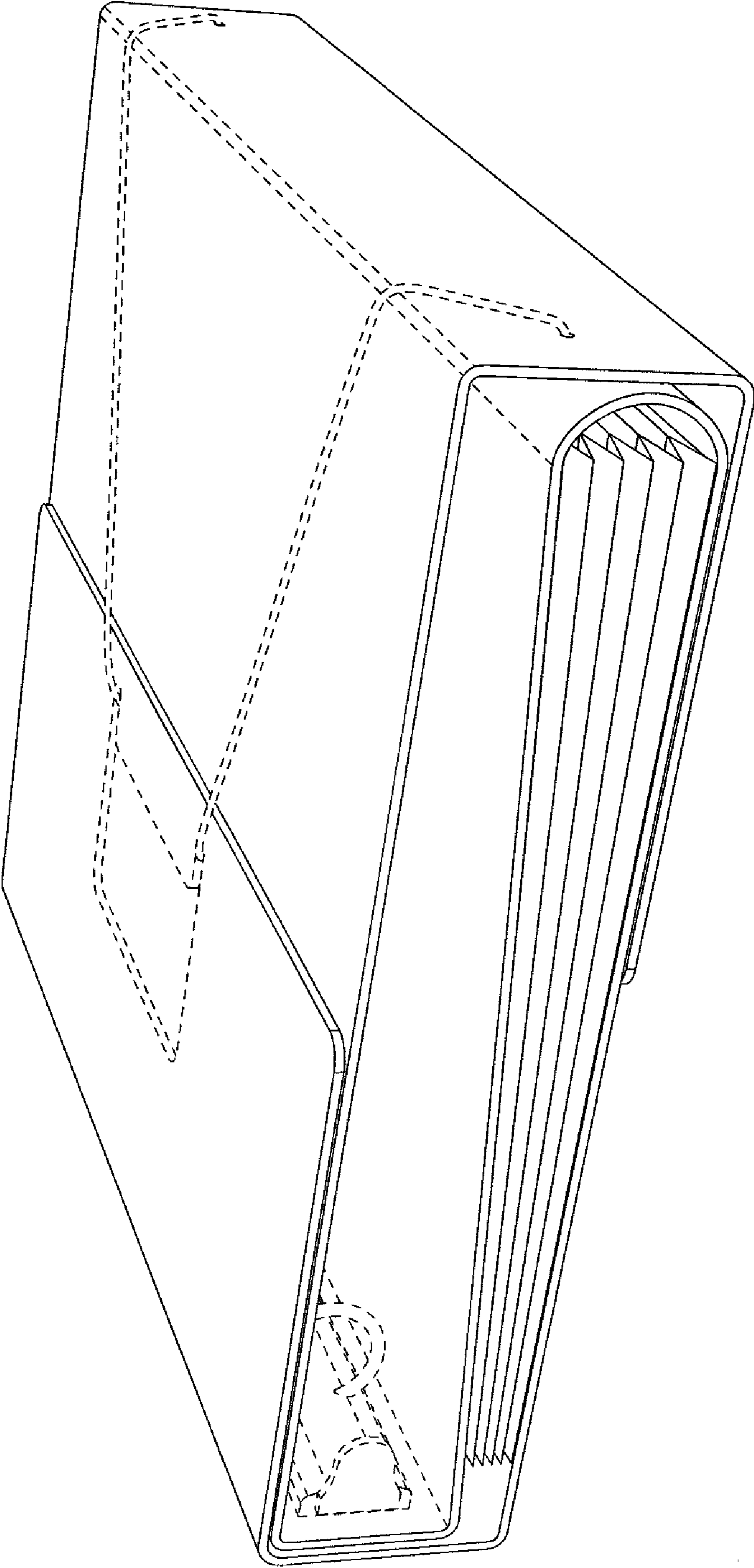
FIG. 7 is an end, elevational view of a document organizer.

The broken lines shown in the drawings represent unclaimed portions of the document organizer and form no part of the claimed design.

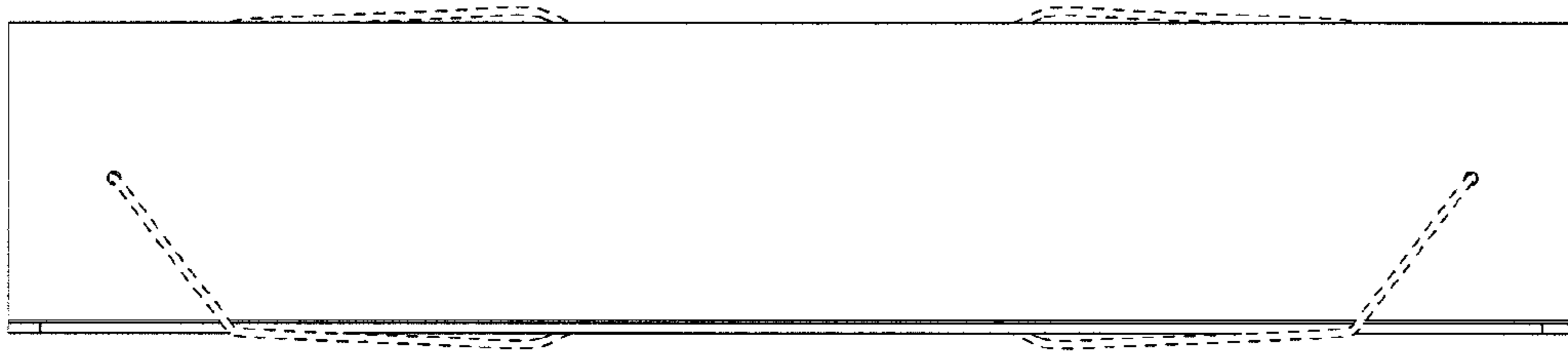
Any usage of dashed line(s) in the claims is provided merely for context and does not represent a part of the design.

**1 Claim, 4 Drawing Sheets**

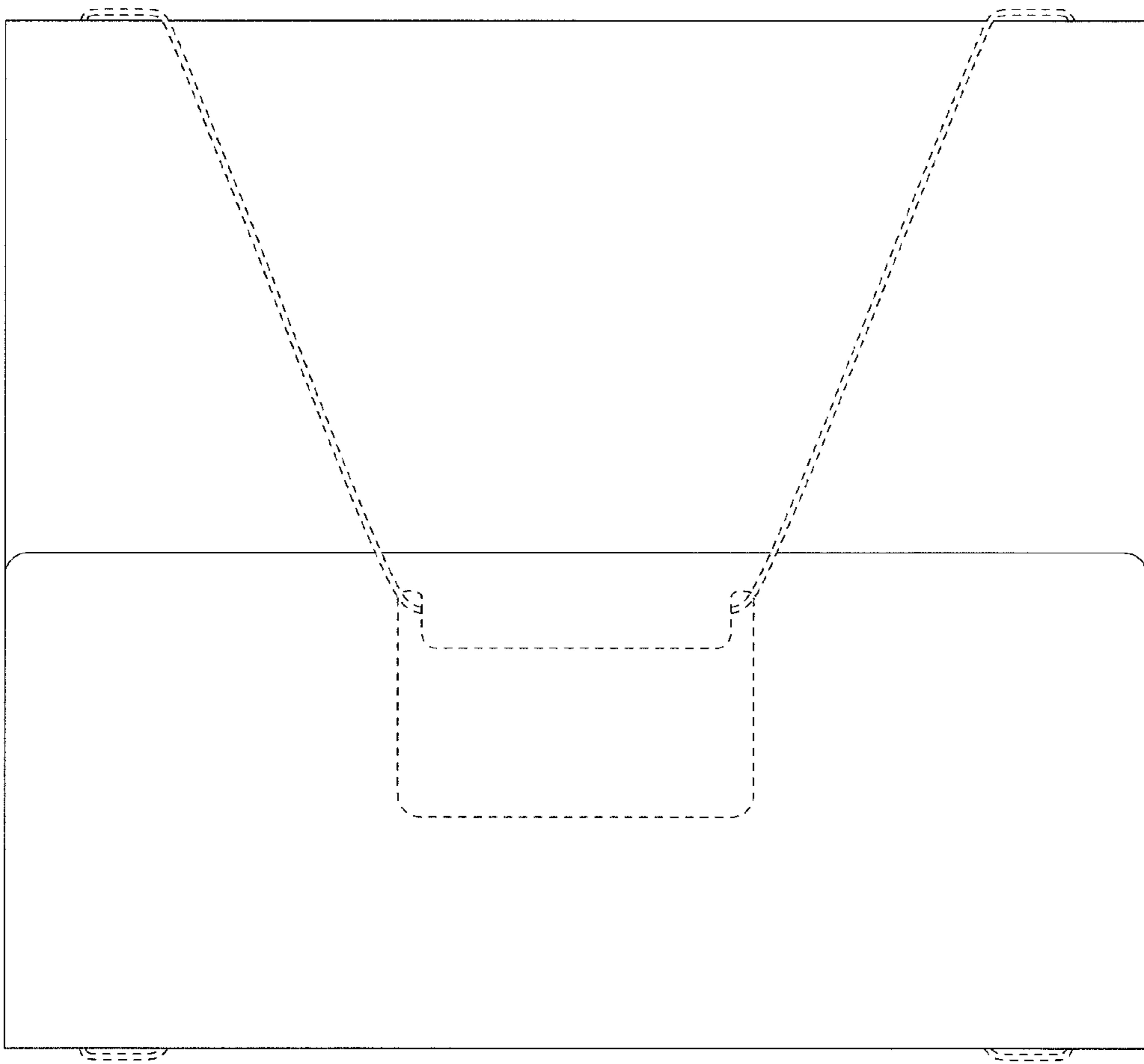




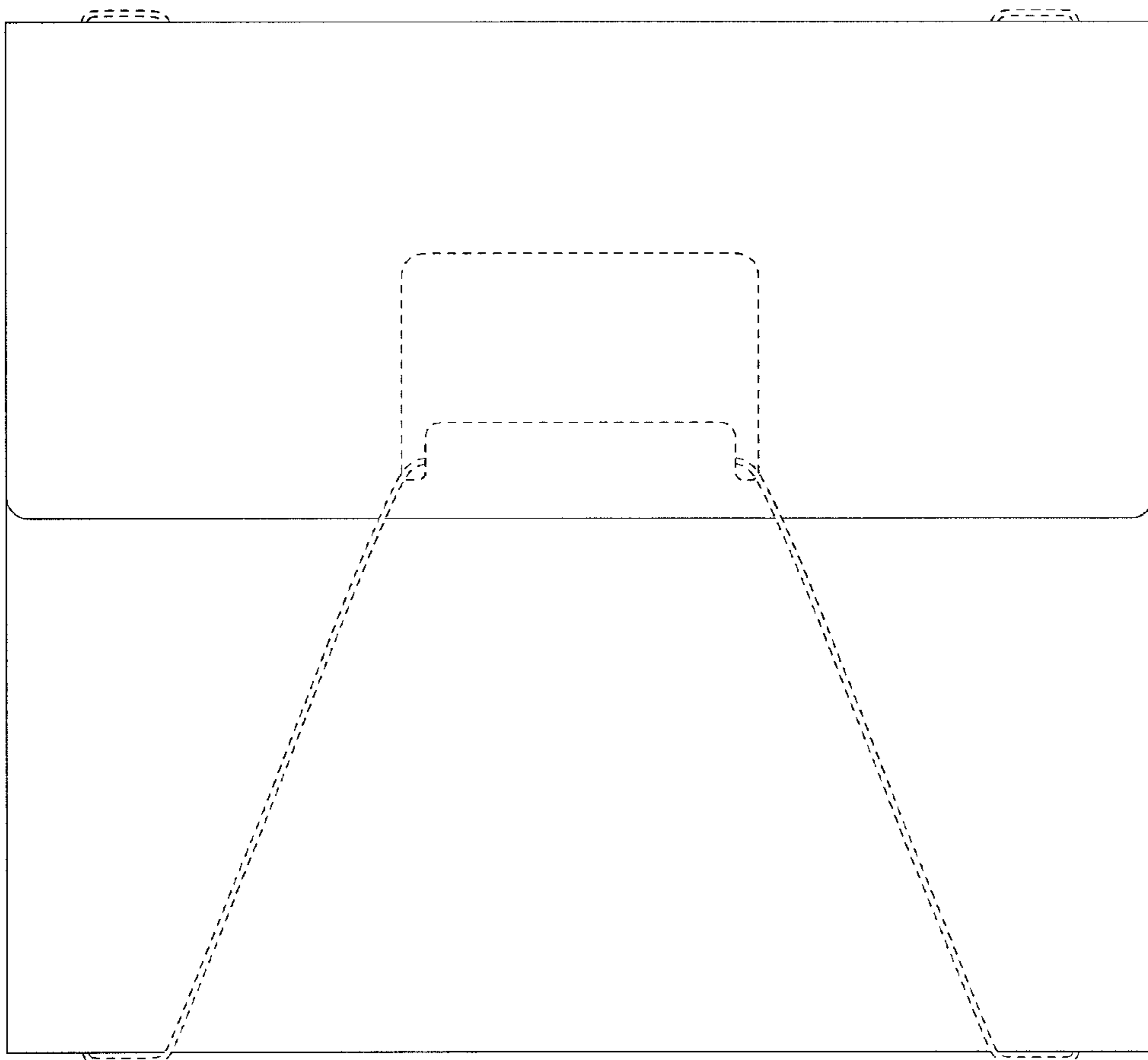
*Fig. 1*



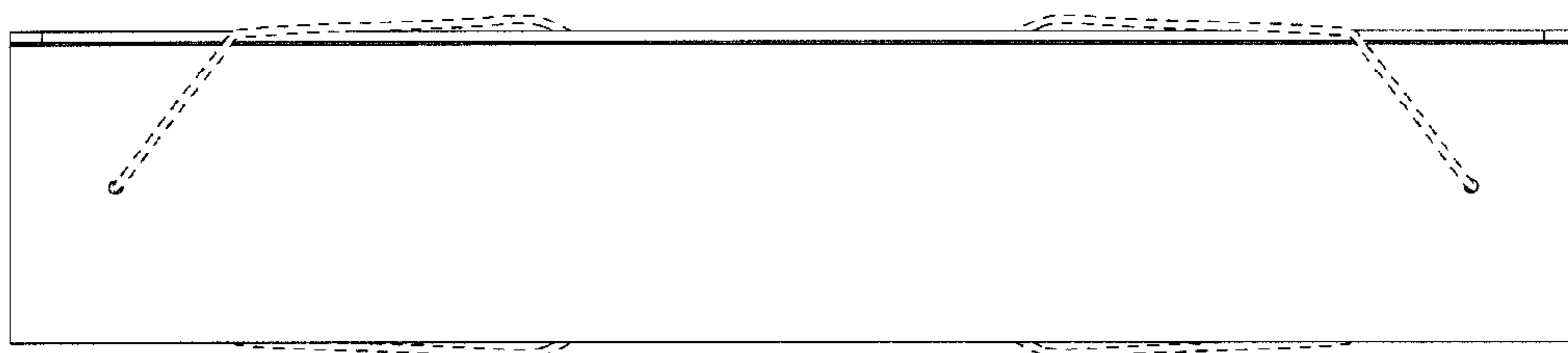
*Fig. 3*



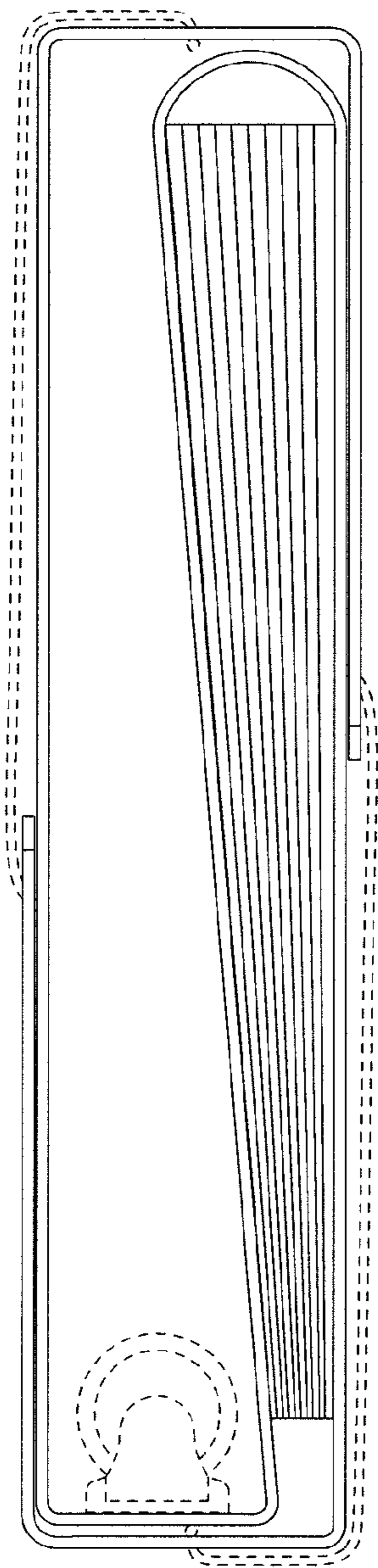
*Fig. 2*



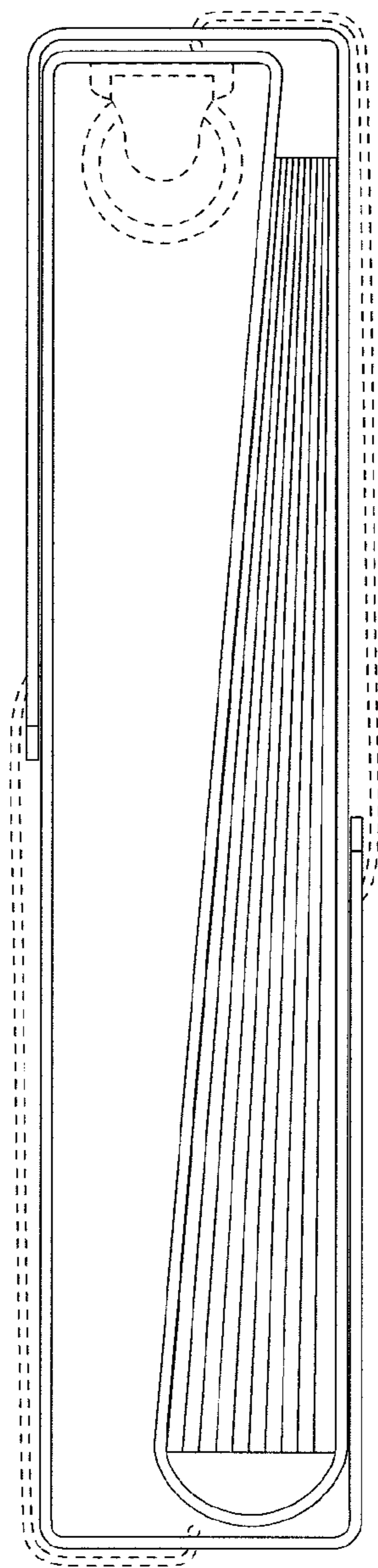
*Fig. 5*



*Fig. 4*



*Fig. 6*



*Fig. 7*