



US00D611532S

(12) **United States Design Patent**
Nanjo et al.

(10) **Patent No.:** **US D611,532 S**
(45) **Date of Patent:** **** Mar. 9, 2010**

(54) **INK TANK FOR PRINTER**

(75) Inventors: **Tatsuo Nanjo**, Kawasaki (JP); **Naoki Tashiro**, Kawasaki (JP); **Yasunori Senshiki**, Tokyo (JP); **Yasuo Kotaki**, Yokohama (JP); **Tetsuya Ohashi**, Matsudo (JP); **Koichi Kubo**, Yokohama (JP)

(73) Assignee: **Canon Kabushiki Kaisha**, Tokyo (JP)

(**) Term: **14 Years**

(21) Appl. No.: **29/320,229**

(22) Filed: **Jun. 24, 2008**

(30) **Foreign Application Priority Data**

Dec. 26, 2007 (JP) 2007-035550

(51) **LOC (9) Cl.** **18-02**

(52) **U.S. Cl.** **D18/56**

(58) **Field of Classification Search** D18/14,
D18/18, 40, 43, 50, 56-59, 99; 347/7, 20,
347/29, 30, 32, 33, 50, 62, 85-87, 92-94;
D9/417, 521, 533, 569, 573; D17/481
See application file for complete search history.

(56) **References Cited**

U.S. PATENT DOCUMENTS

D392,312 S * 3/1998 Inoue et al. D18/56
D401,620 S * 11/1998 Nozawa et al. D18/56
D423,564 S * 4/2000 Canfield et al. D18/56
D423,568 S * 4/2000 Inoue et al. D18/56
D430,600 S * 9/2000 Murcia et al. D18/56
D430,603 S * 9/2000 Maeda et al. D18/56

D435,861 S * 1/2001 Kotaki et al. D18/56
D466,151 S * 11/2002 Shinada et al. D18/56
D469,463 S * 1/2003 Yu et al. D18/56
D493,820 S * 8/2004 Matsuo et al. D18/56
D537,875 S * 3/2007 Yamada D18/56
D540,377 S 4/2007 Hatasa et al. D18/56
D542,345 S * 5/2007 Hayashi et al. D18/56
2008/0211892 A1 * 9/2008 Kotaki et al. 347/86

* cited by examiner

Primary Examiner—Philip S Hyder

Assistant Examiner—Susan E Krakower

(74) *Attorney, Agent, or Firm*—Fitzpatrick, Cella, Harper & Scinto

(57) **CLAIM**

The ornamental design for an ink tank for printer, as shown and described.

DESCRIPTION

FIG. 1 is a front view of an ink tank for printer showing our new design;

FIG. 2 is a rear view thereof;

FIG. 3 is a top plan view thereof;

FIG. 4 is a bottom plan view thereof;

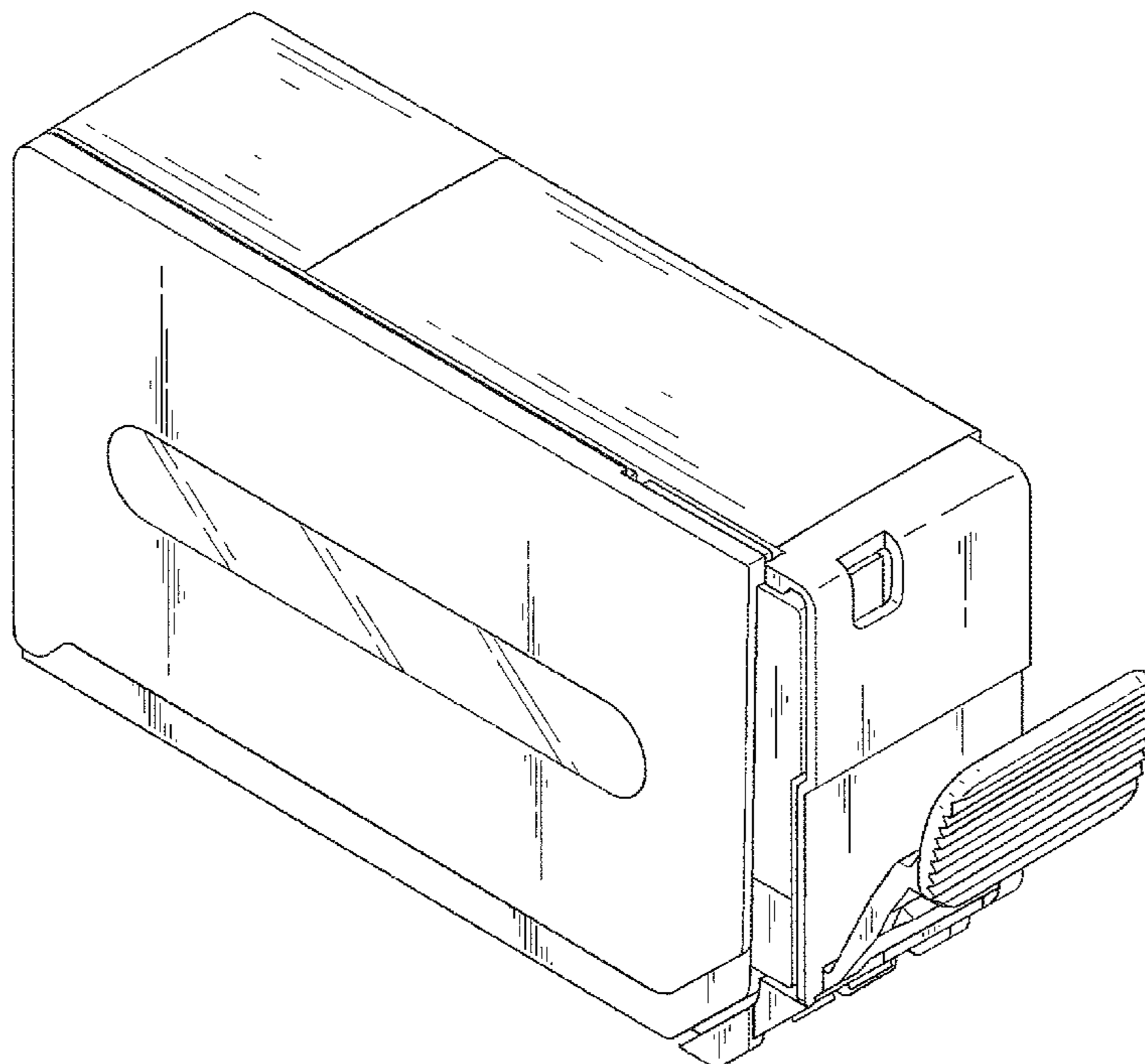
FIG. 5 is a left side view thereof;

FIG. 6 is a right side view thereof; and,

FIG. 7 is a perspective view thereof.

The broken line showing of the bottom protruding portion in FIG. 4 is for purposes of illustration and forms no part of the claimed design.

1 Claim, 5 Drawing Sheets



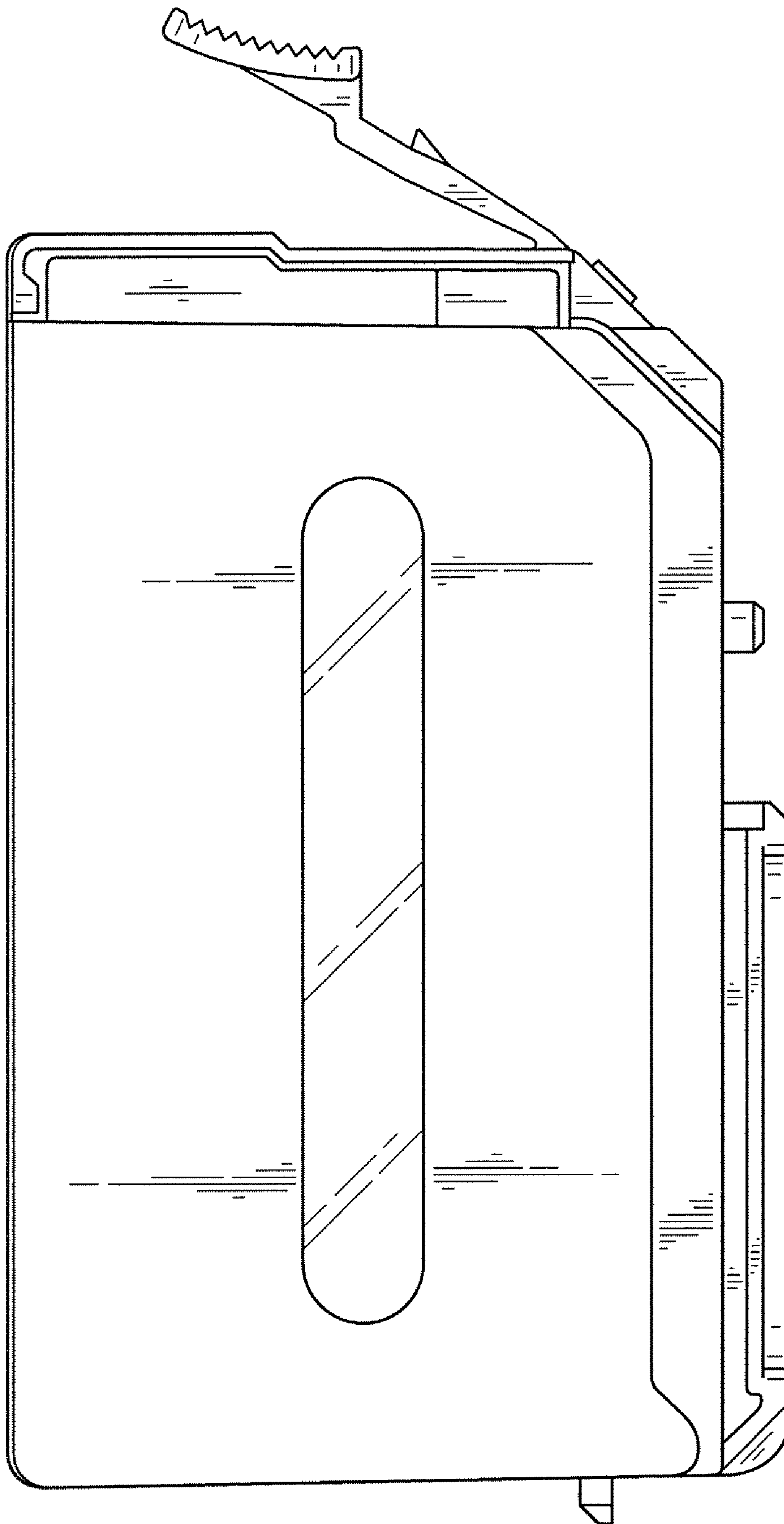


FIG. 1

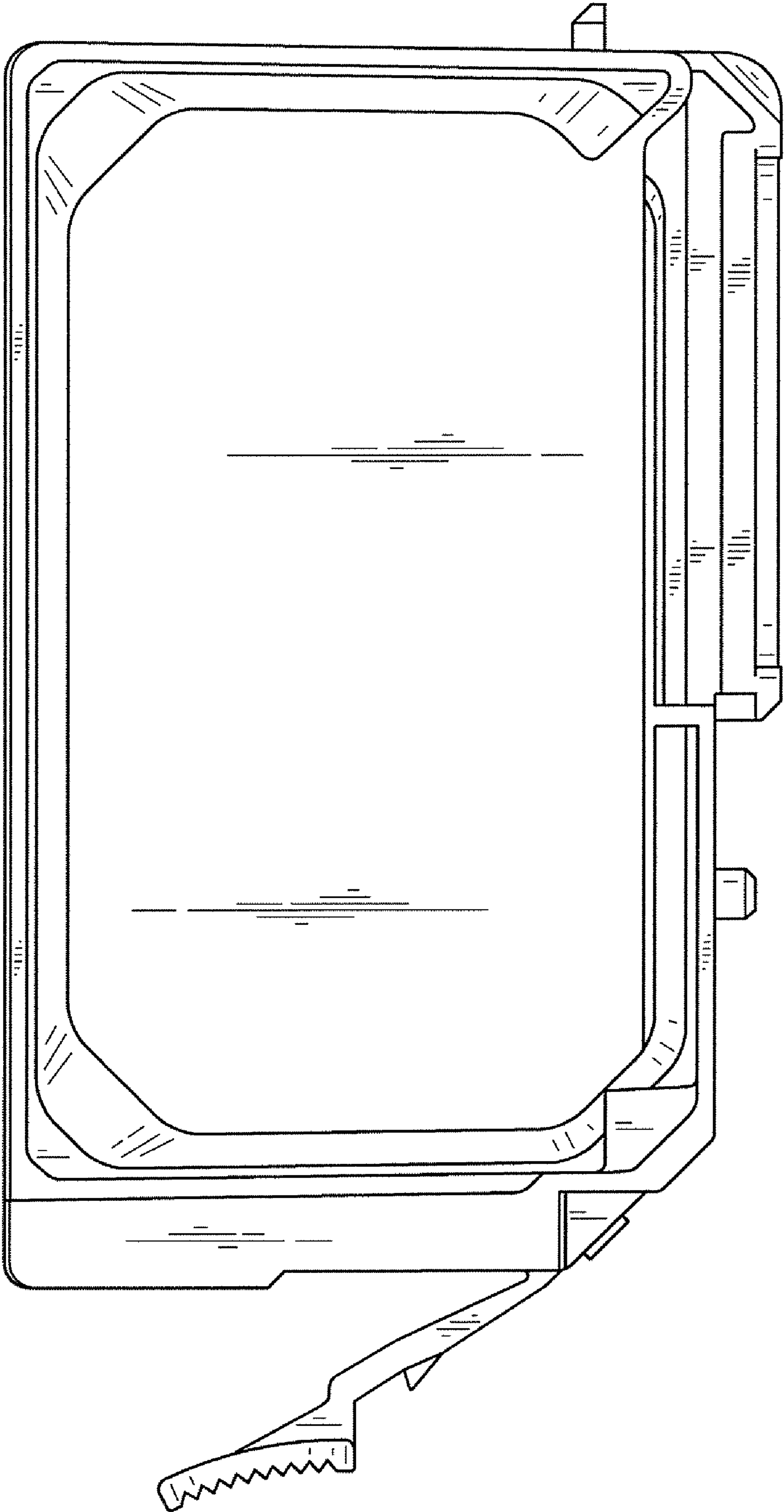


FIG. 2

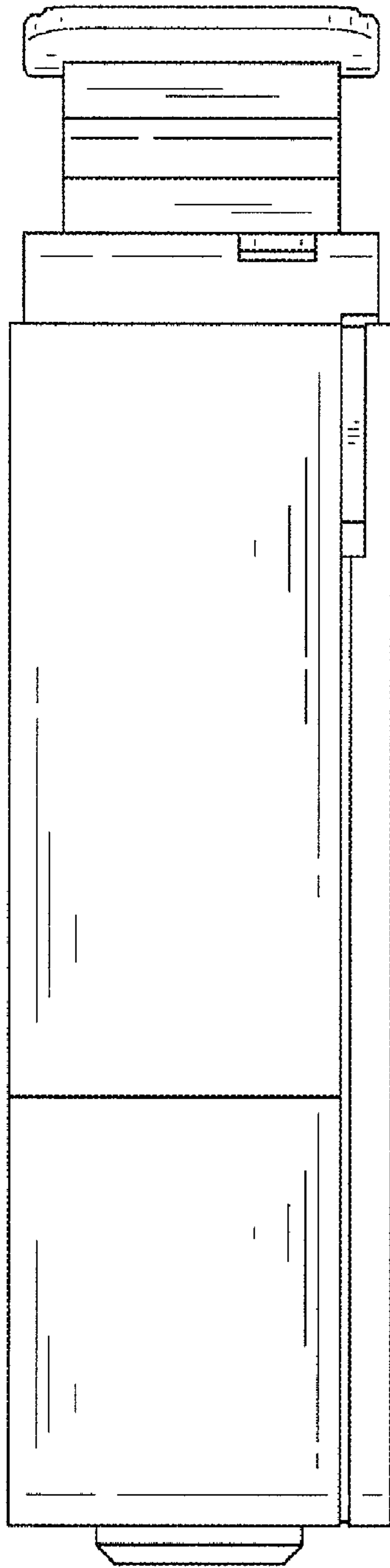


FIG. 3

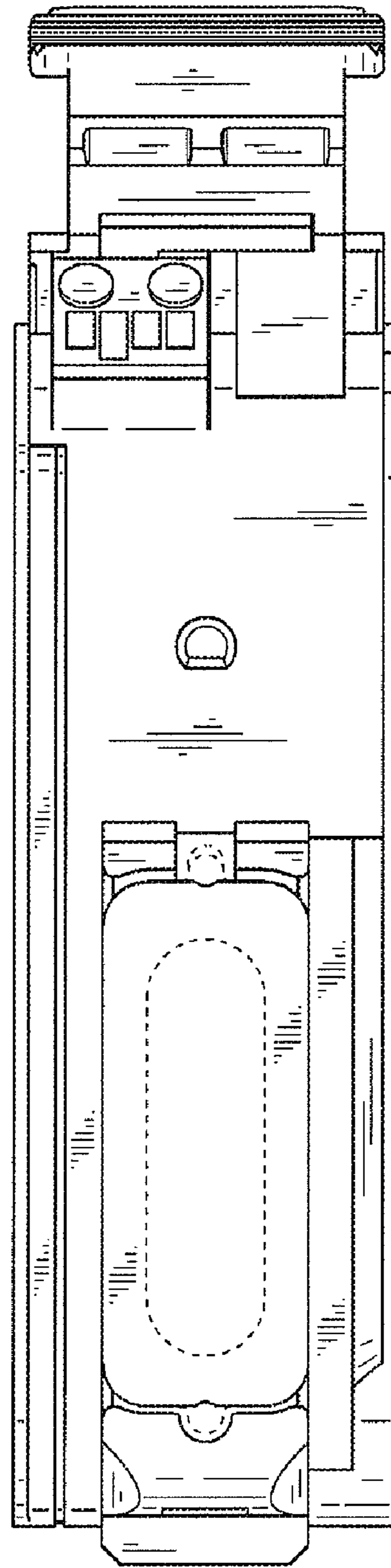


FIG. 4

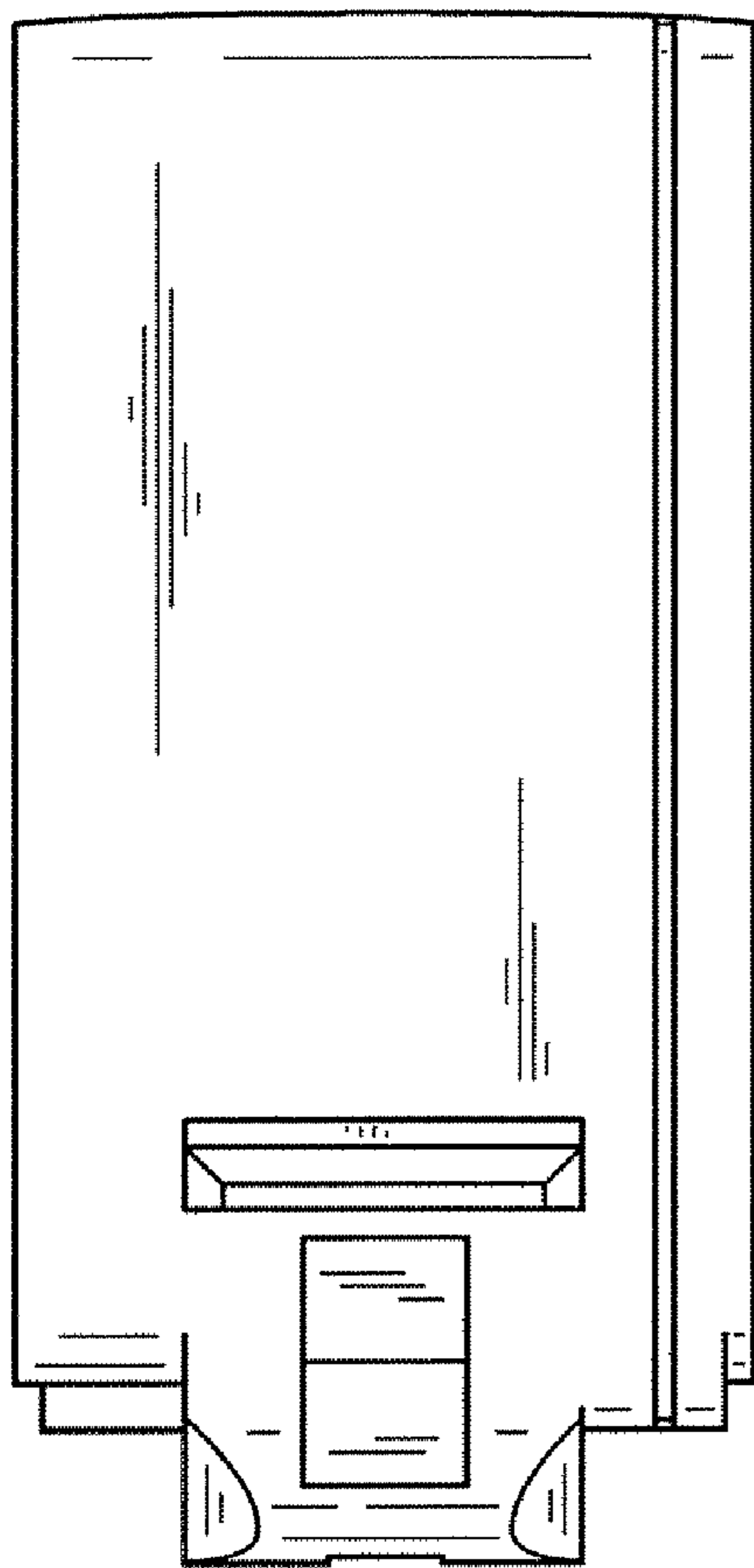


FIG. 5

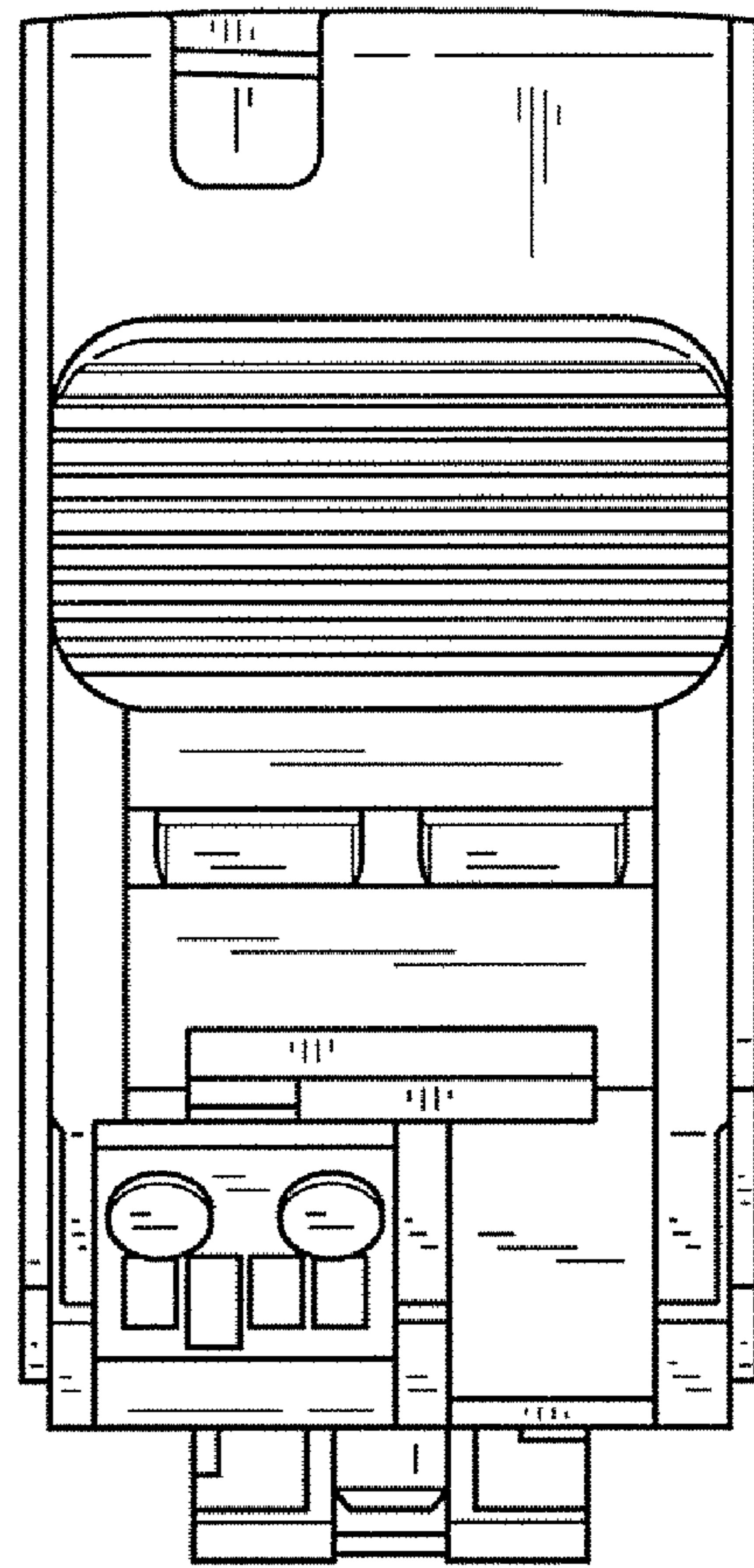


FIG. 6

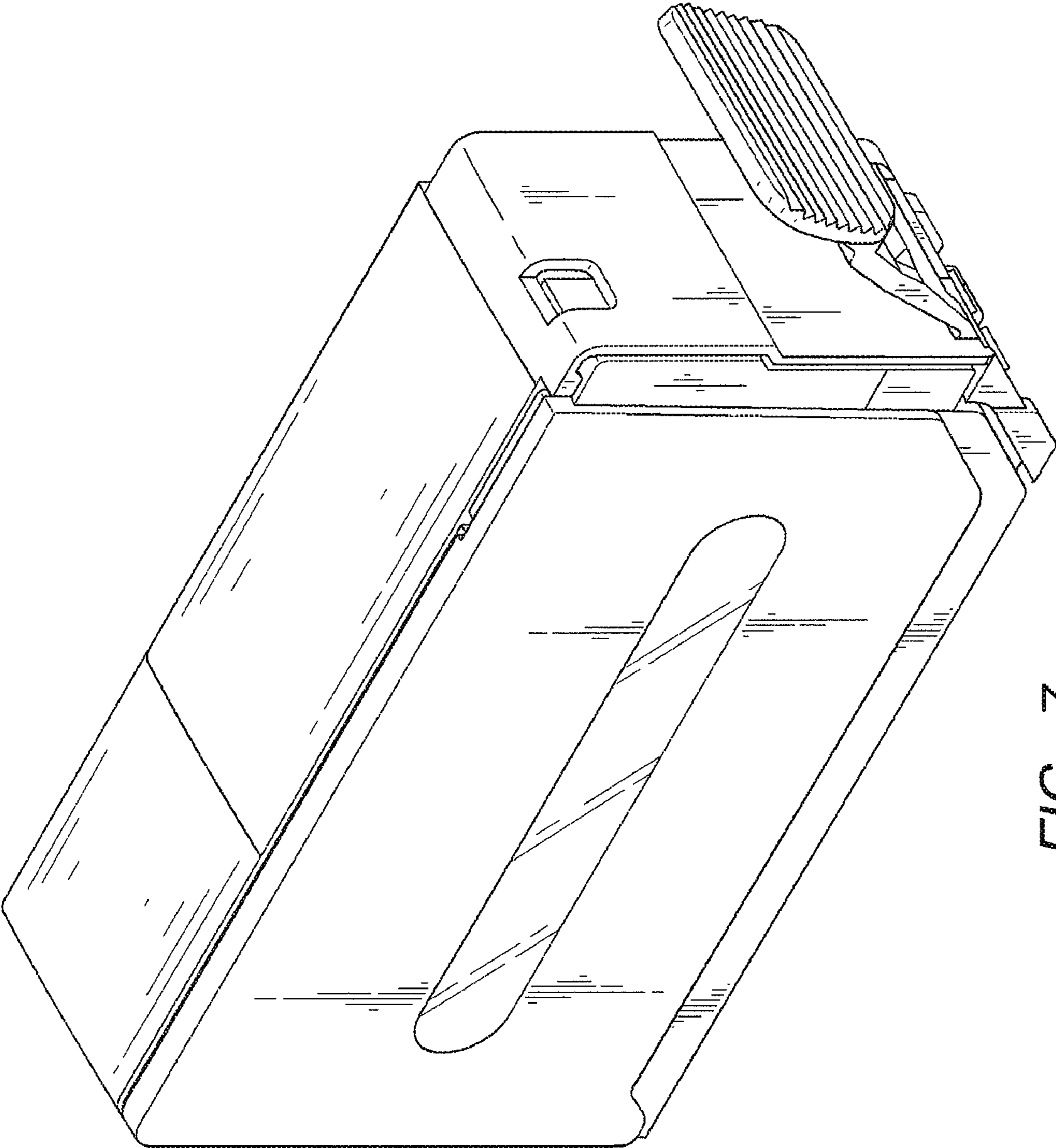


FIG. 7