



US00D611529S

(12) **United States Design Patent**  
**Mistyurik et al.**

(10) **Patent No.:** **US D611,529 S**  
(45) **Date of Patent:** **\*\* Mar. 9, 2010**

(54) **PRINTER**

(75) Inventors: **John D. Mistyurik**, Troy, OH (US);  
**Gregory B. Arnold**, Centerville, OH  
(US); **Gregory de Swarte**, Sheboygan,  
WI (US); **James A. Makley**, Springboro,  
OH (US); **Jason R. Phillips**, Cincinnati,  
OH (US); **Larry B. Williams**, Dayton,  
OH (US)

(73) Assignee: **Avery Dennison Corporation**,  
Pasadena, CA (US)

(\*\*) Term: **14 Years**

(21) Appl. No.: **29/304,103**

(22) Filed: **Feb. 25, 2008**

(51) **LOC (9) Cl.** ..... **14-02**  
(52) **U.S. Cl.** ..... **D18/50**  
(58) **Field of Classification Search** ..... D18/36–37,  
D18/50, 54, 54.1, 55, 19; D14/420–425,  
D14/463–470; 400/613, 613.1–613.4, 690.1–690.4,  
400/691–694; 101/288  
See application file for complete search history.

(56) **References Cited**

U.S. PATENT DOCUMENTS

D304,722 S \* 11/1989 Hashimoto et al. .... D14/467  
5,160,205 A 11/1992 Mistyurik  
D343,856 S \* 2/1994 Chan ..... D18/50  
D350,364 S \* 9/1994 Kawashima et al. .... D18/50  
5,486,259 A 1/1996 Goodwin et al.  
5,570,121 A 10/1996 Mistyurik et al.  
5,588,756 A 12/1996 Hamisch, Jr. et al.  
5,597,249 A 1/1997 Mistyurik

5,708,462 A 1/1998 Hembold et al.  
5,785,442 A 7/1998 Hamisch, Jr. et al.  
D412,013 S \* 7/1999 Karten et al. .... D18/50  
6,241,407 B1 6/2001 Huggins et al.  
D450,757 S \* 11/2001 Okamura ..... D18/55  
D465,514 S \* 11/2002 Toh et al. .... D18/55  
6,609,844 B1 8/2003 Petteruti  
D515,132 S \* 2/2006 Todd ..... D18/55  
D523,074 S \* 6/2006 Mitani et al. .... D18/54  
D527,043 S \* 8/2006 Borne et al. .... D18/50  
D530,364 S \* 10/2006 Huang ..... D18/55  
D560,250 S \* 1/2008 Ito ..... D18/50  
7,387,459 B2 \* 6/2008 Liu et al. .... 400/611  
D586,383 S \* 2/2009 Takatani ..... D18/50  
D590,872 S \* 4/2009 Sakano ..... D18/50

\* cited by examiner

*Primary Examiner*—Cathy Anne MacCormac

(74) *Attorney, Agent, or Firm*—Avery Dennison Corporation

(57) **CLAIM**

The ornamental design for a printer, as shown and described.

**DESCRIPTION**

FIG. 1 is a pictorial view of a printer in accordance with an embodiment of the invention;

FIG. 2 is a front elevational view of the printer showing the new design;

FIG. 3 is a top plan view of the printer;

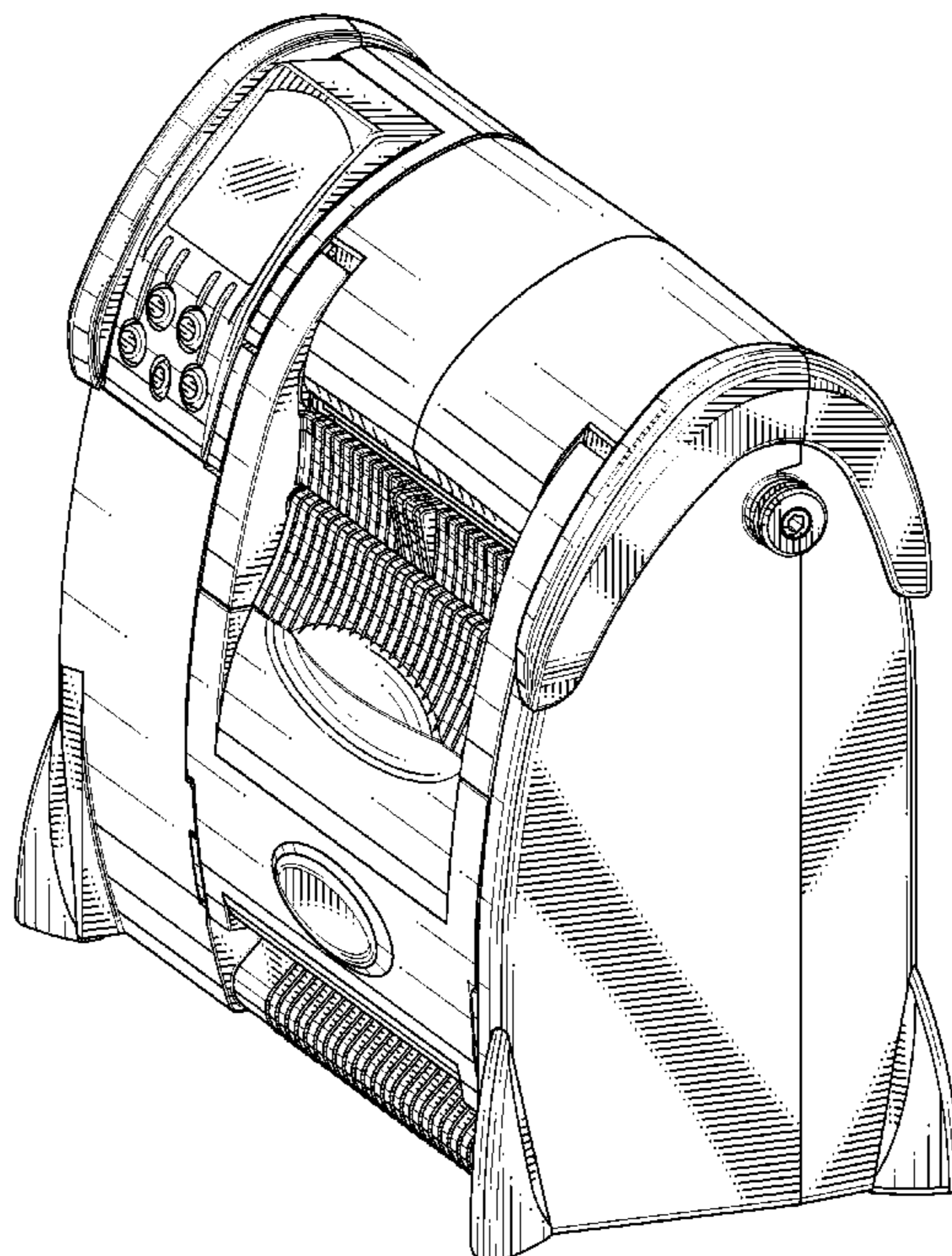
FIG. 4 is a bottom plan view of the printer;

FIG. 5 is a rear elevational view of the printer;

FIG. 6 is a left elevational view of the printer; and,

FIG. 7 is a right elevational view of the printer.

**1 Claim, 6 Drawing Sheets**



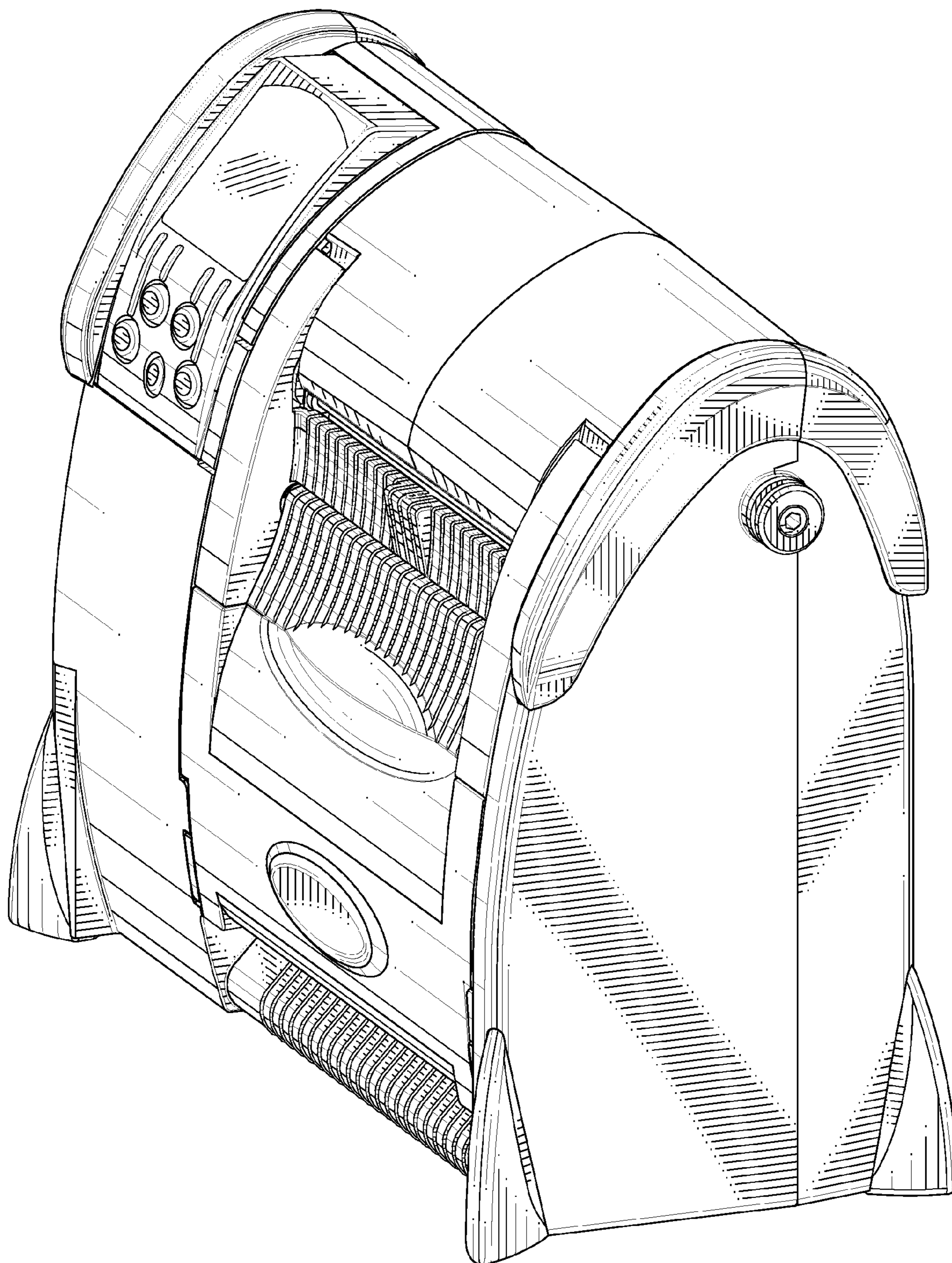


FIG. 1

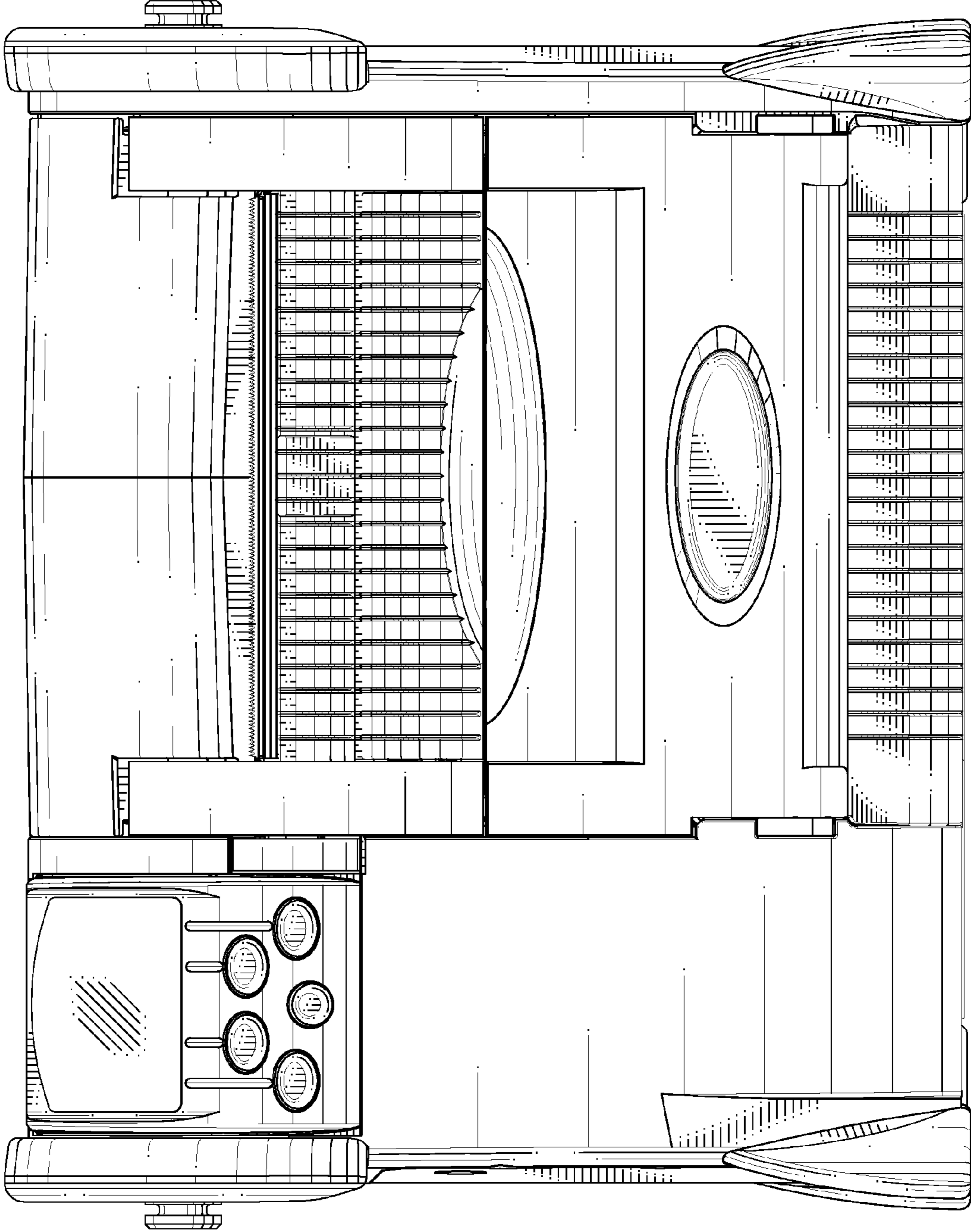


FIG. 2

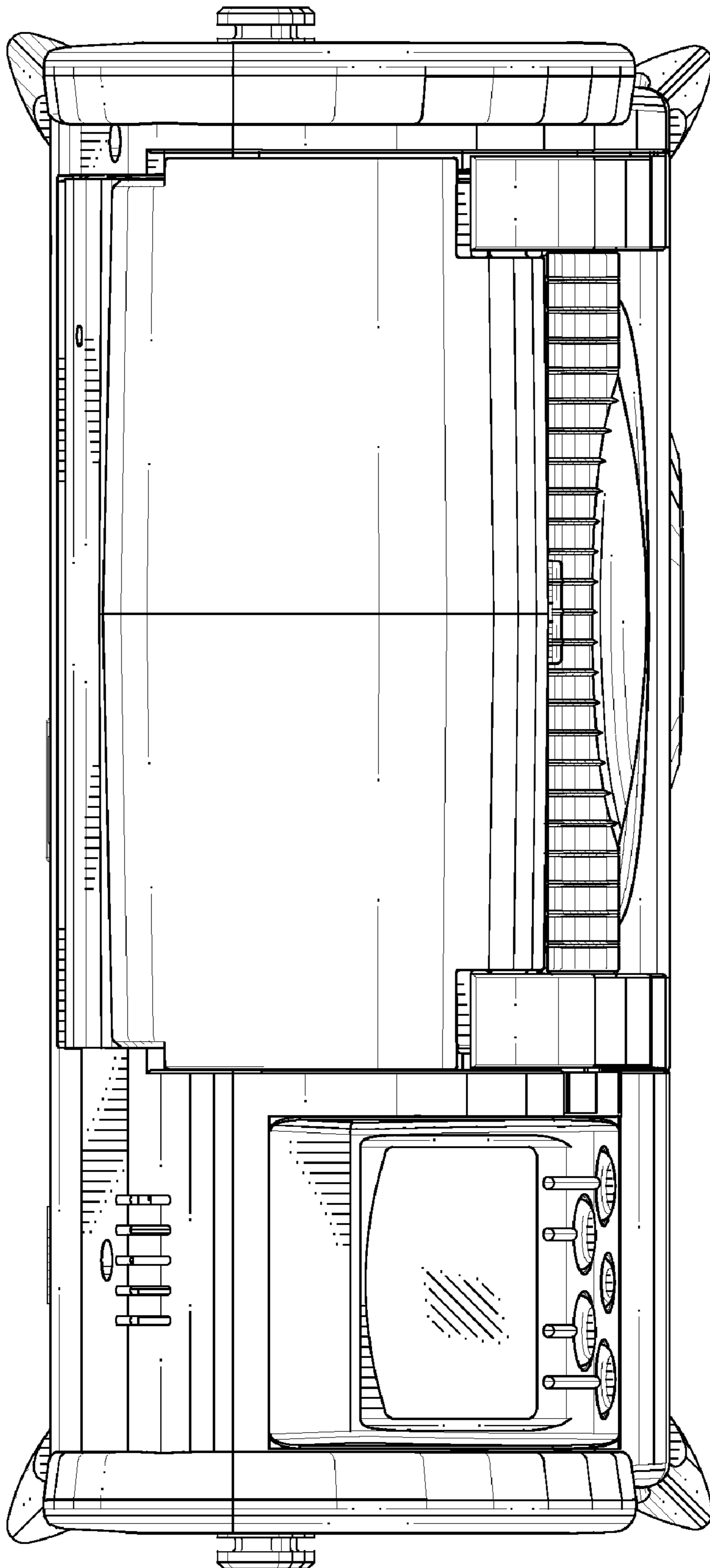


FIG. 3

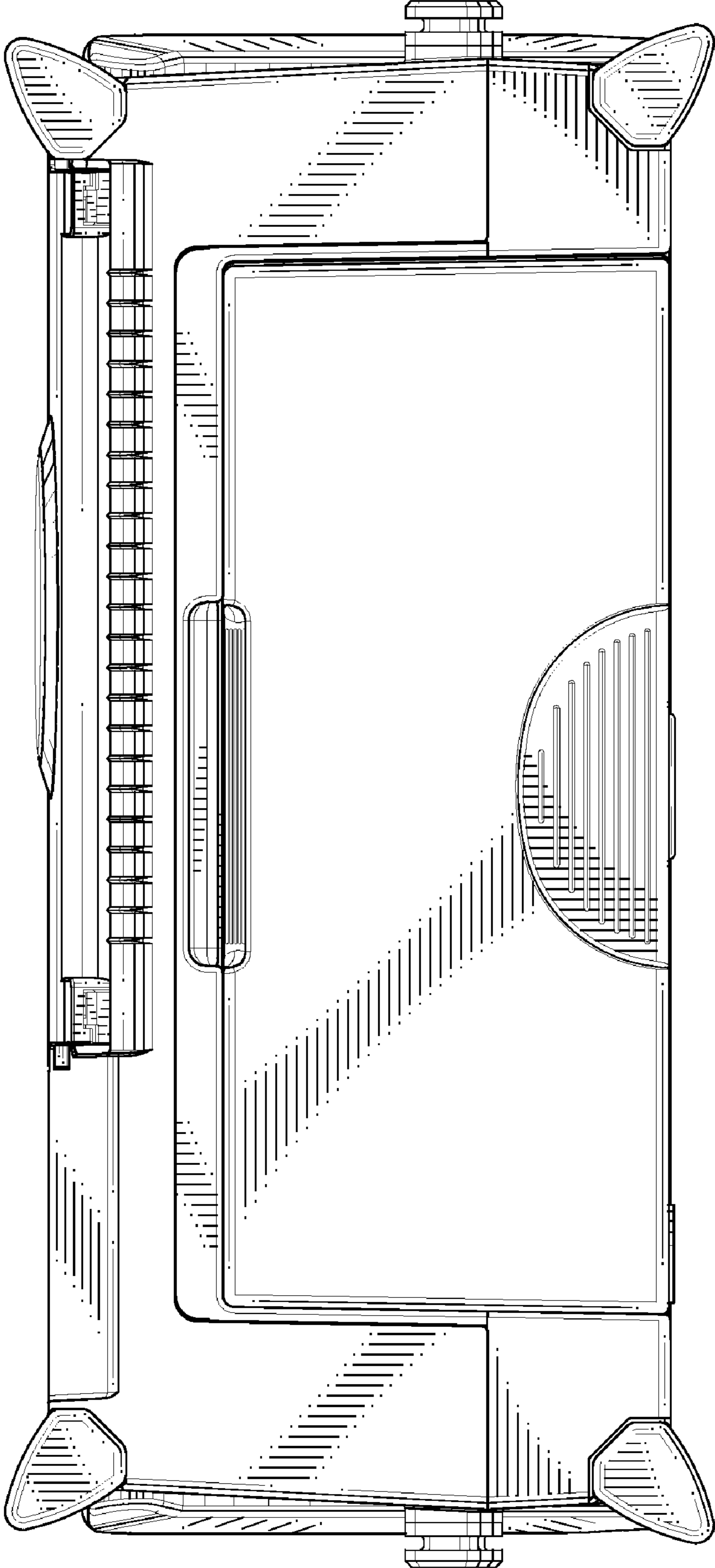


FIG. 4

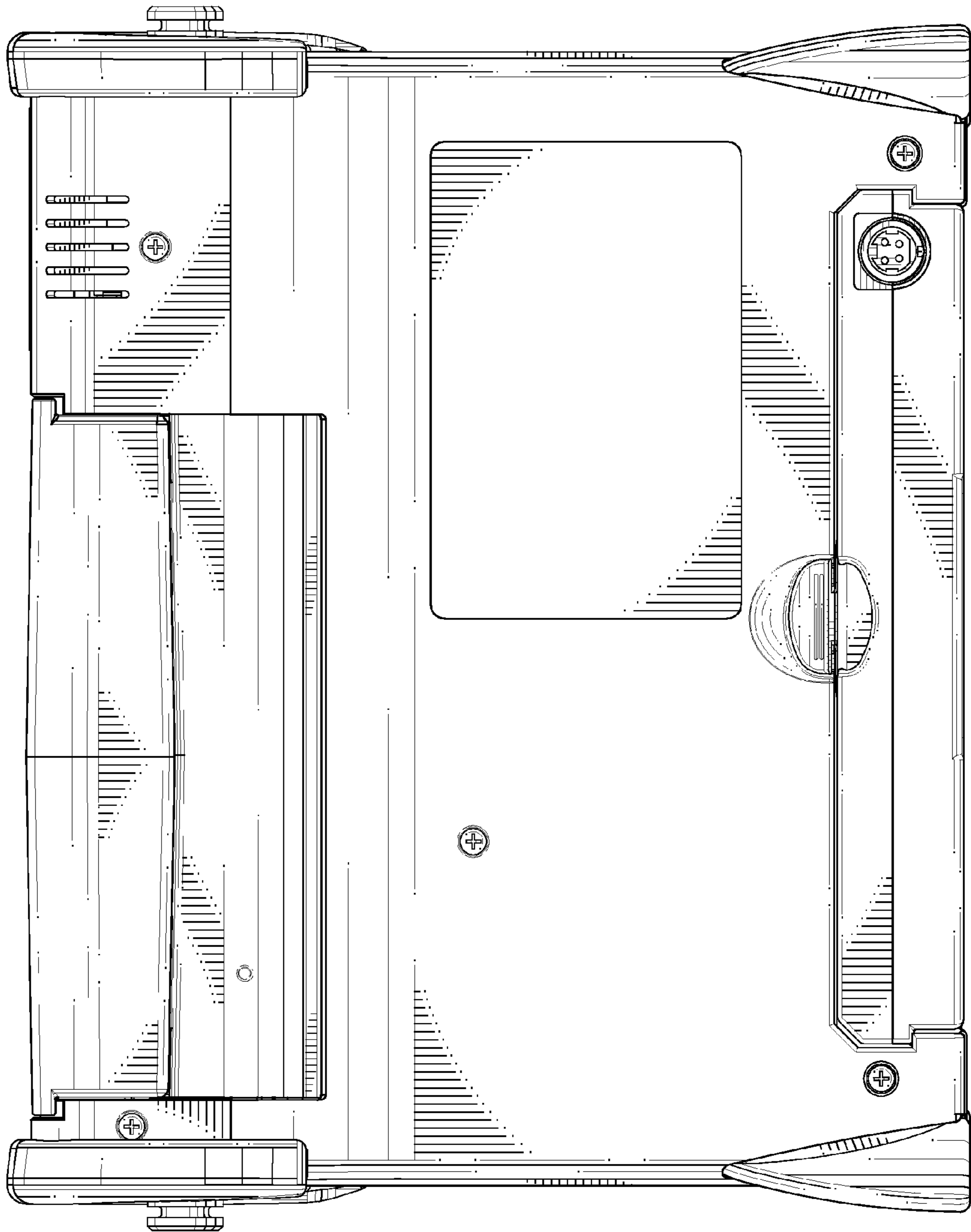


FIG. 5

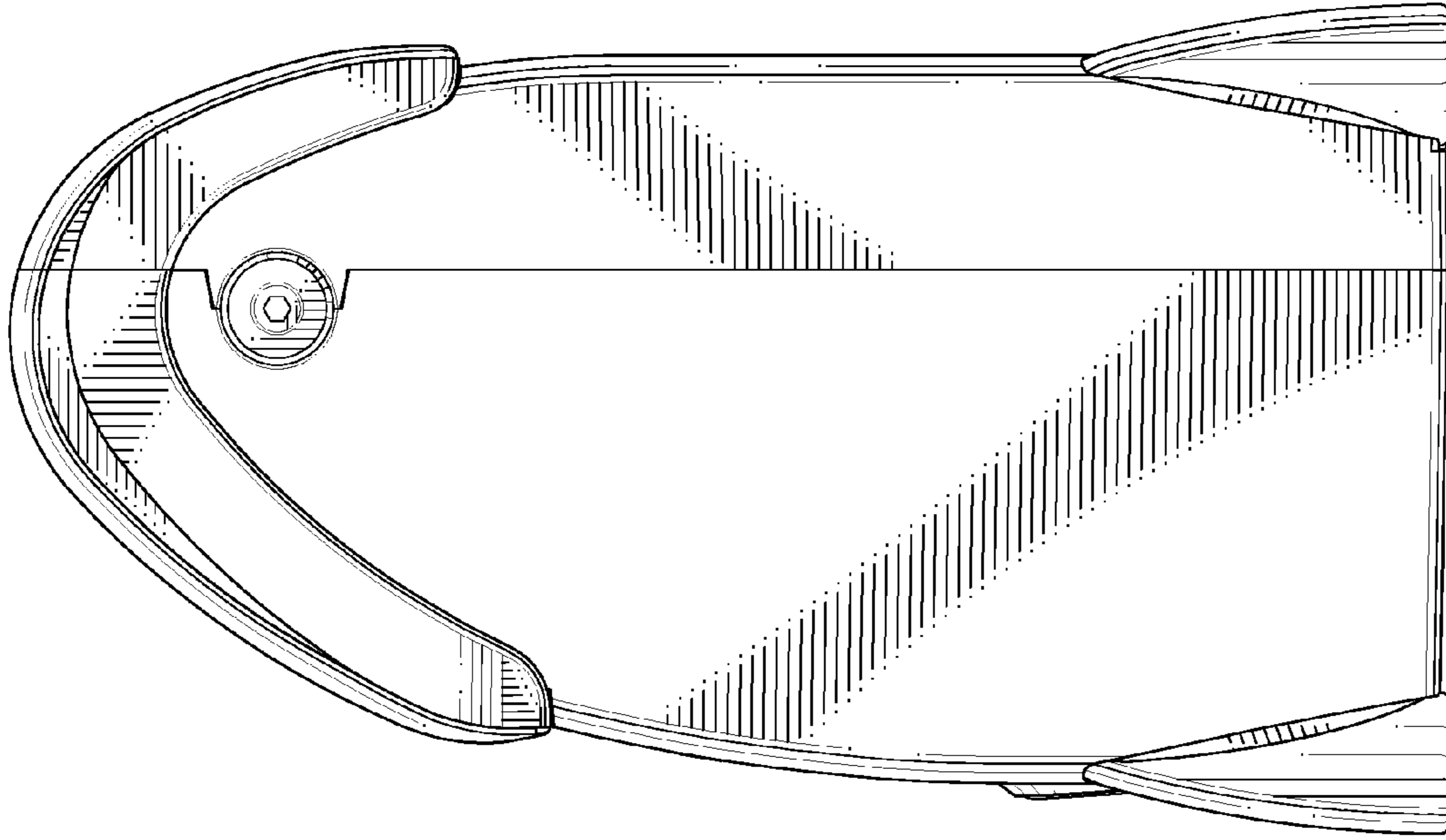


FIG. 7

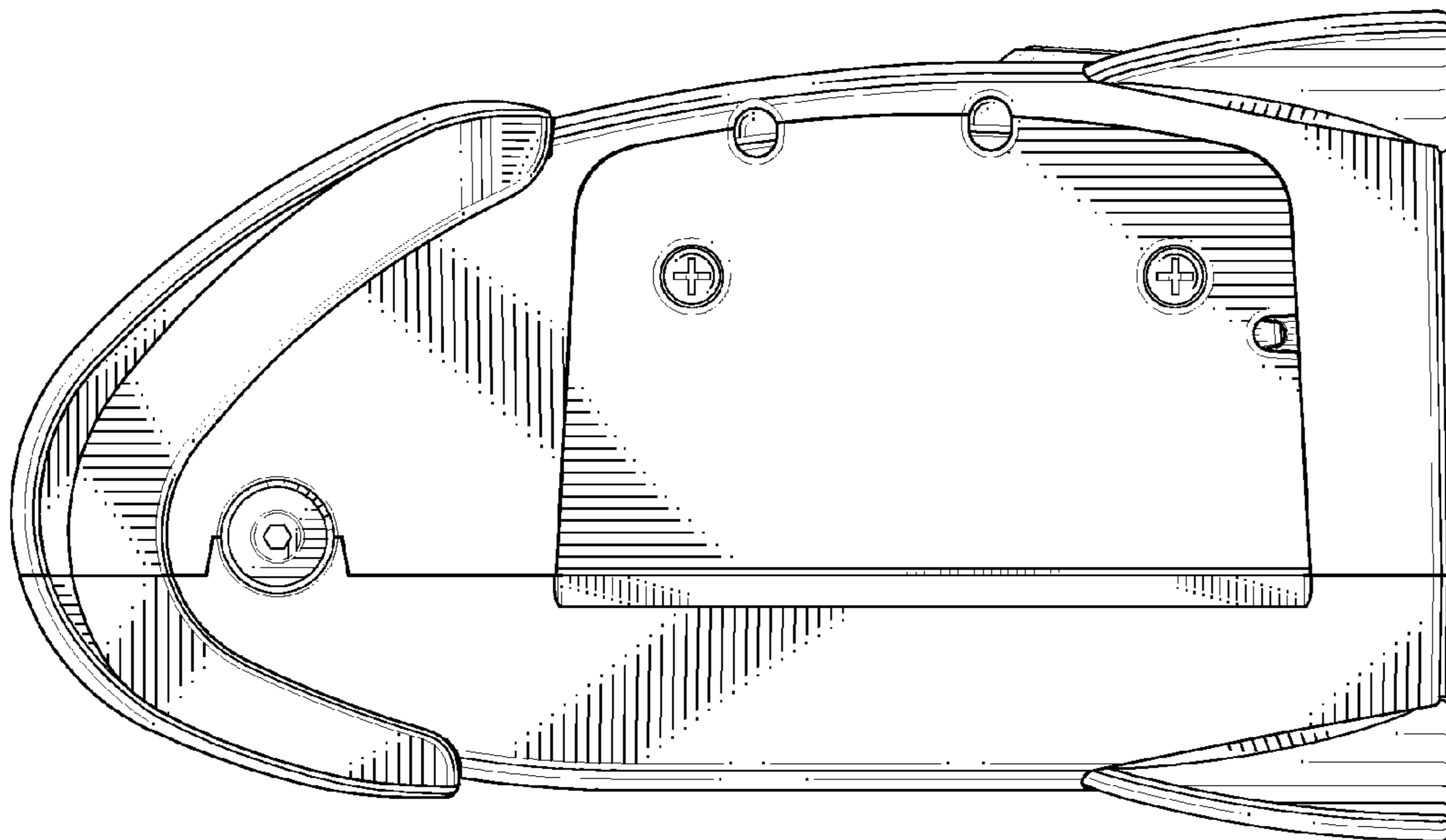


FIG. 6

UNITED STATES PATENT AND TRADEMARK OFFICE  
**CERTIFICATE OF CORRECTION**

PATENT NO. : Des. 611,529 S  
APPLICATION NO. : 29/304103  
DATED : March 9, 2010  
INVENTOR(S) : Mistyurik et al.

Page 1 of 1

It is certified that error appears in the above-identified patent and that said Letters Patent is hereby corrected as shown below:

The title page, Item (75) delete "Larry B. Williams" and insert --Larri B Williams--

Signed and Sealed this

Eighteenth Day of May, 2010

A handwritten signature in black ink that reads "David J. Kappos". The signature is written in a cursive, flowing style.

David J. Kappos  
*Director of the United States Patent and Trademark Office*