



US00D611526S

(12) **United States Design Patent**  
**Abramson et al.**

(10) **Patent No.:** **US D611,526 S**  
(45) **Date of Patent:** **\*\* Mar. 9, 2010**

(54) **SHREDDER**

(76) Inventors: **Aron Abramson**, C/O Executive  
Machines, P.O. Box 320150, Brooklyn,  
NY (US) 11232; **Charles Sued**, C/O  
Executive Machines, P.O. Box 320150,  
Brooklyn, NY (US) 11232

(\*\*) Term: **14 Years**

(21) Appl. No.: **29/323,088**

(22) Filed: **Aug. 18, 2008**

**Related U.S. Application Data**

(63) Continuation of application No. 29/281,593, filed on  
Jun. 26, 2007, now Pat. No. Des. 582,470.

(51) **LOC (9) Cl.** ..... **18-04**

(52) **U.S. Cl.** ..... **D18/34.5**

(58) **Field of Classification Search** ..... D18/34.1–34.9;  
241/100, 236, 101.78, 36; 83/613, 614, 623,  
83/485, 57–68; 164/468; 30/294, 296.1,  
30/275.4, 276; D23/359

See application file for complete search history.

(56) **References Cited**

**U.S. PATENT DOCUMENTS**

5,035,366	A *	7/1991	Hashimoto et al.	.....	241/100
D410,246	S	5/1999	Holderfield		
D437,343	S	2/2001	Ho		
D455,171	S	4/2002	Ho		
D498,253	S	11/2004	Lo		
D502,961	S	3/2005	Lo		
D532,444	S	11/2006	Kao et al.		
D537,512	S	2/2007	Nakajima		
D548,272	S *	8/2007	Joachim et al.	.....	D18/34.5
D548,273	S *	8/2007	Joachim et al.	.....	D18/34.5

(Continued)

*Primary Examiner*—Charles A Rademaker

(74) *Attorney, Agent, or Firm*—Garcia-Zamor IP Law; Ruy  
M. Garcia-Zamor

(57) **CLAIM**

We claim the ornamental design for a shredder, as shown and  
described.

**DESCRIPTION**

FIG. 1 is a perspective view of a shredder showing our new  
design;

FIG. 2 is a top plan view of the shredder of FIG. 1;

FIG. 3 is a left side elevational view of the shredder of FIG. 1;

FIG. 4 is a bottom plan view of the shredder of FIG. 1;

FIG. 5 is a right side elevational view of the shredder of FIG.  
1;

FIG. 6 is a front elevational view of the shredder of FIG. 1;

FIG. 7 is a rear elevational view of the shredder of FIG. 1;

FIG. 8 is a perspective view of a modified embodiment of the  
design shown in FIGS. 1 through 7;

FIG. 9 is a top plan view of the shredder of FIG. 8;

FIG. 10 is a left side elevational view of the shredder of FIG.  
8;

FIG. 11 is a bottom plan view of the shredder of FIG. 8;

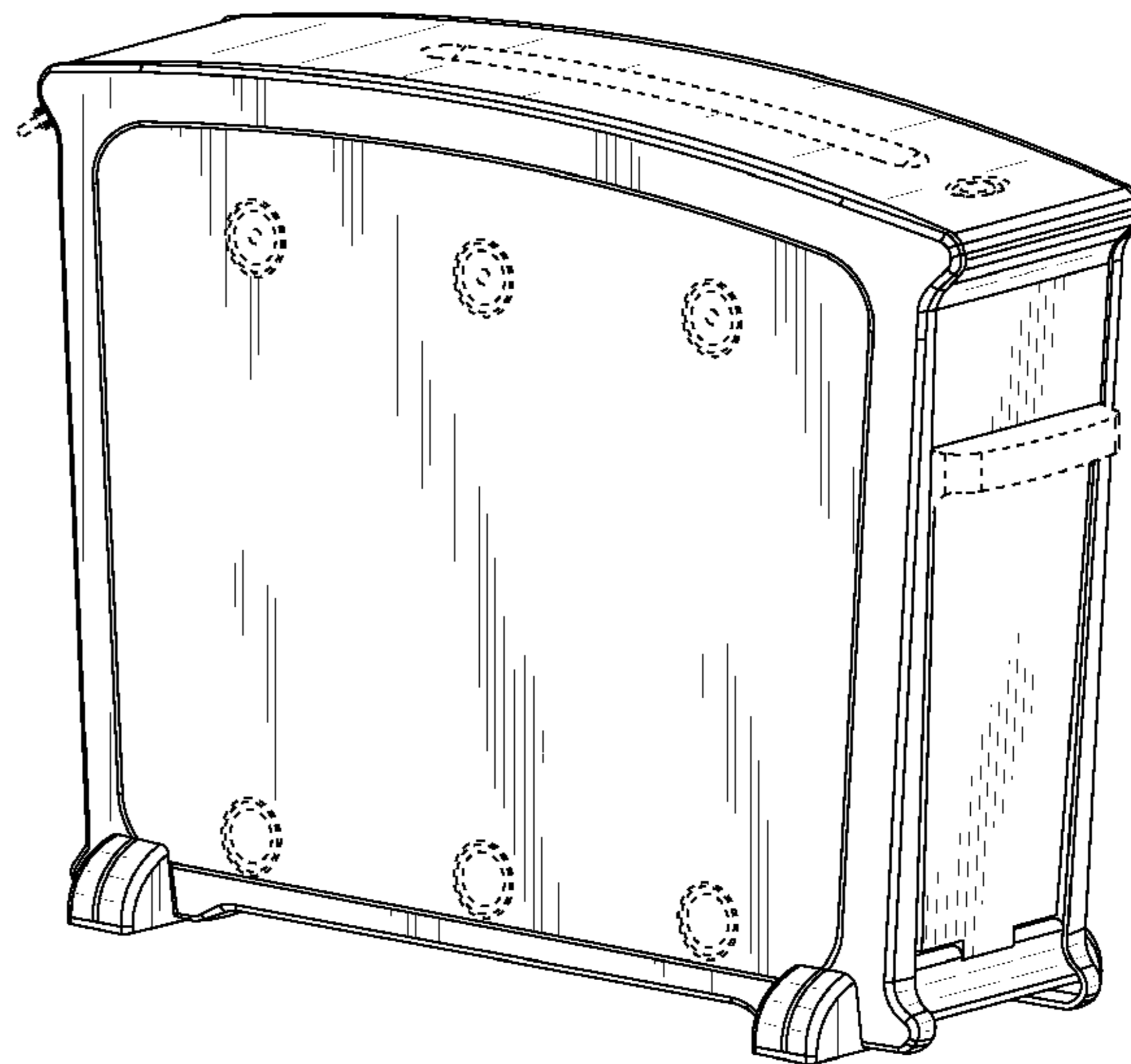
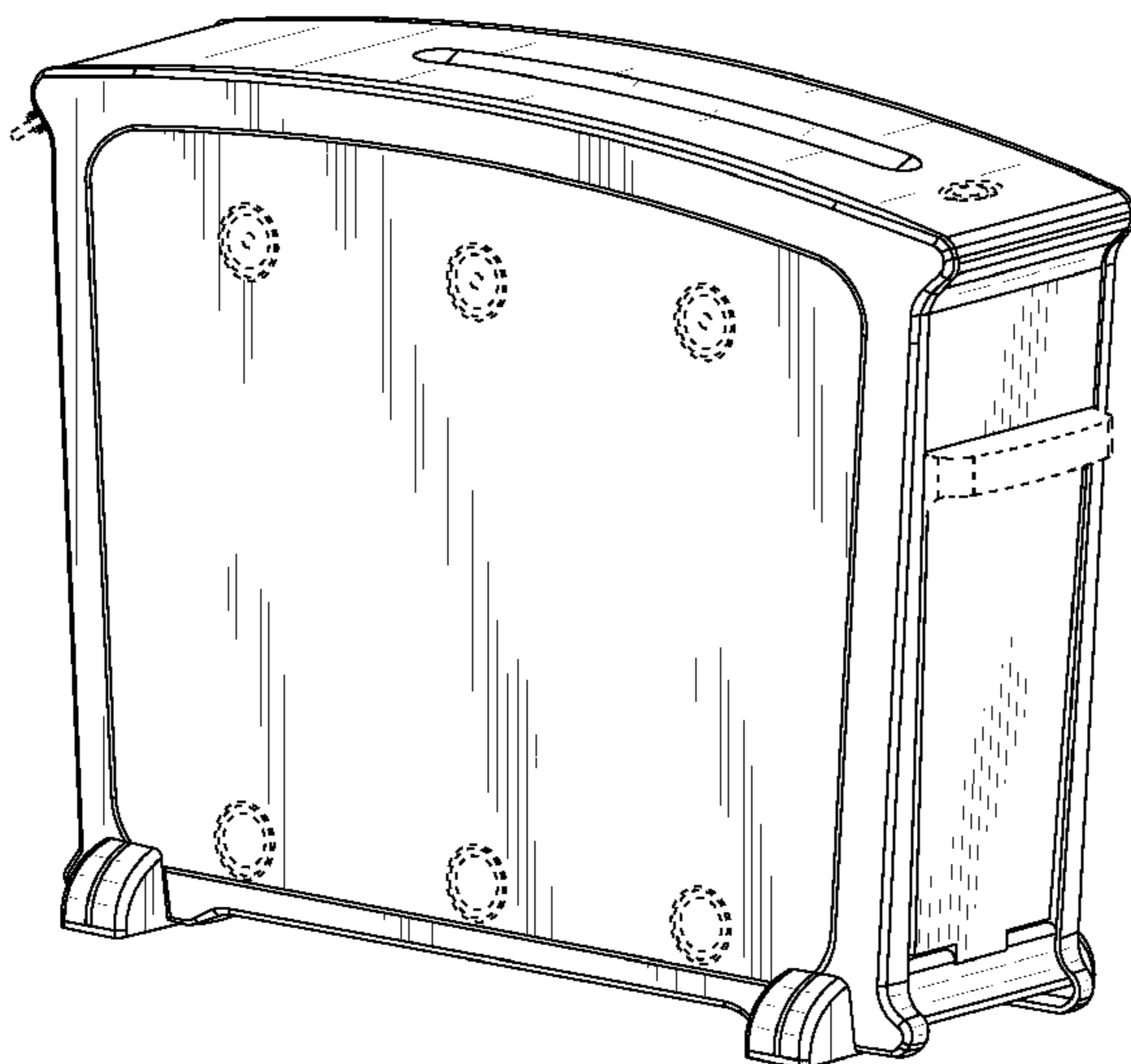
FIG. 12 is a right side elevational view of the shredder of FIG.  
8;

FIG. 13 is a front elevational view of the shredder of FIG. 8;  
and,

FIG. 14 is a rear elevational view of the shredder of FIG. 8.

The broken lines in FIGS. 1–14 represent environment and  
are for illustrative purposes only and do not constitute part of  
the claimed design.

**1 Claim, 8 Drawing Sheets**



# US D611,526 S

Page 2

---

## U.S. PATENT DOCUMENTS

D551,696 S	*	9/2007	Joachim et al. ....	D18/34.5	D558,257 S	*	12/2007	Joachim et al. ....	D18/34.6
D555,716 S		11/2007	Chen		D565,714 S		4/2008	Wolff et al.	
D557,732 S		12/2007	Ho		D577,059 S	*	9/2008	Sued et al. ....	D18/34.4
D557,733 S		12/2007	Ho et al.		D580,480 S	*	11/2008	Sued et al. ....	D18/34.5
D557,735 S		12/2007	Ho et al.		D580,481 S	*	11/2008	Sued et al. ....	D18/34.6
D557,783 S		12/2007	Yoo et al.		D582,470 S	*	12/2008	Sued et al. ....	D18/34.6

\* cited by examiner

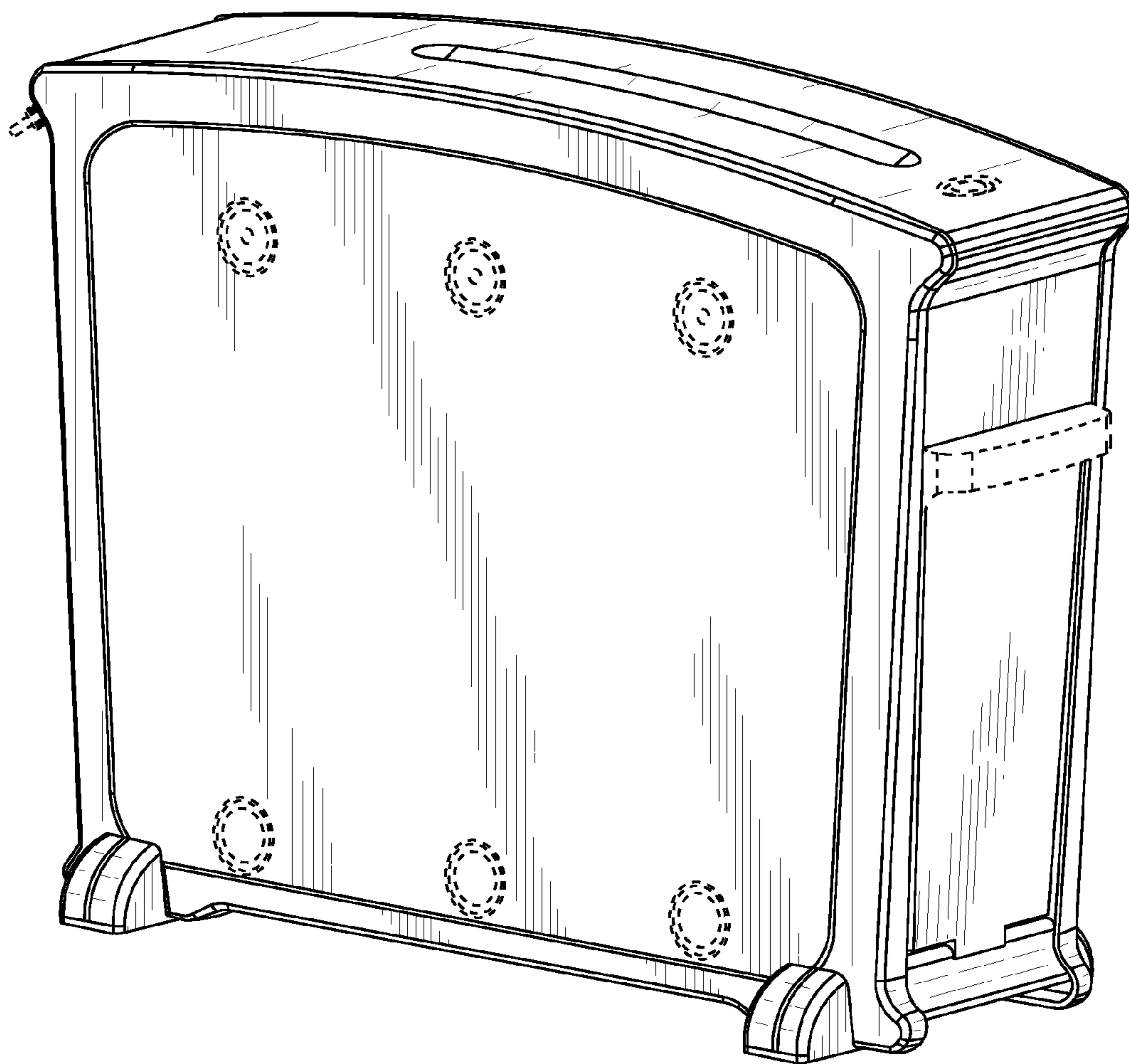


FIG. 1

FIG. 2

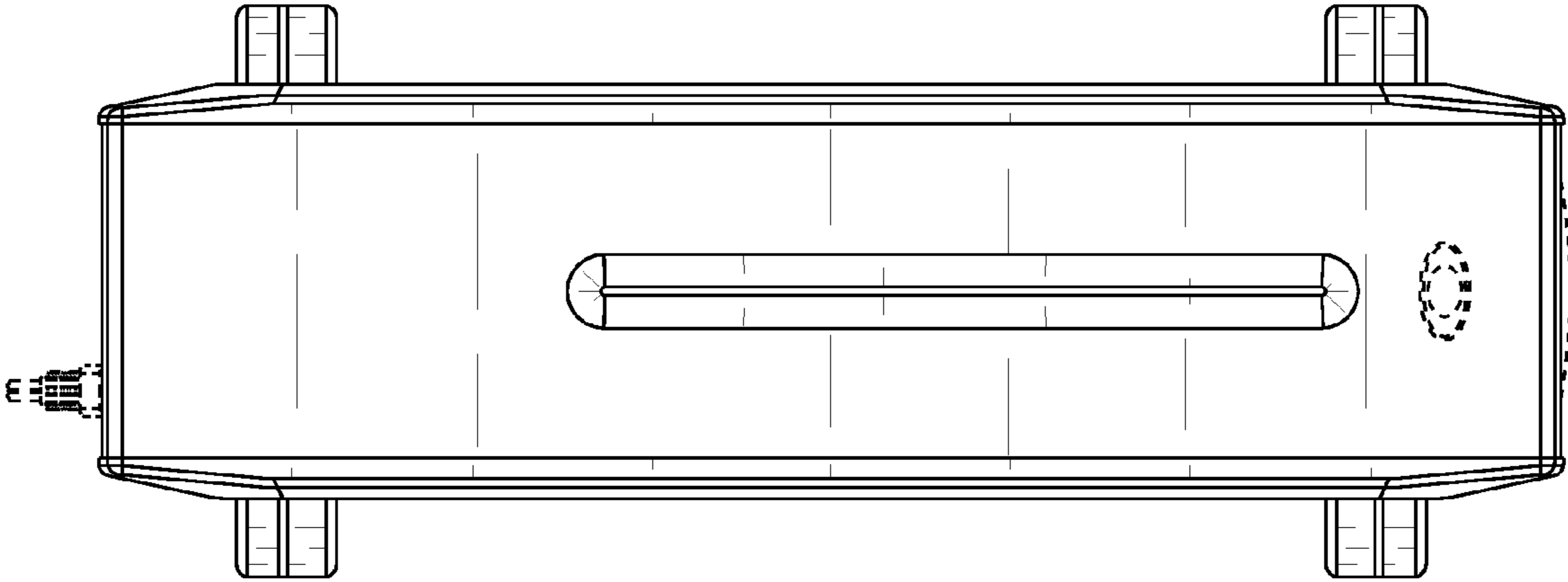


FIG. 3

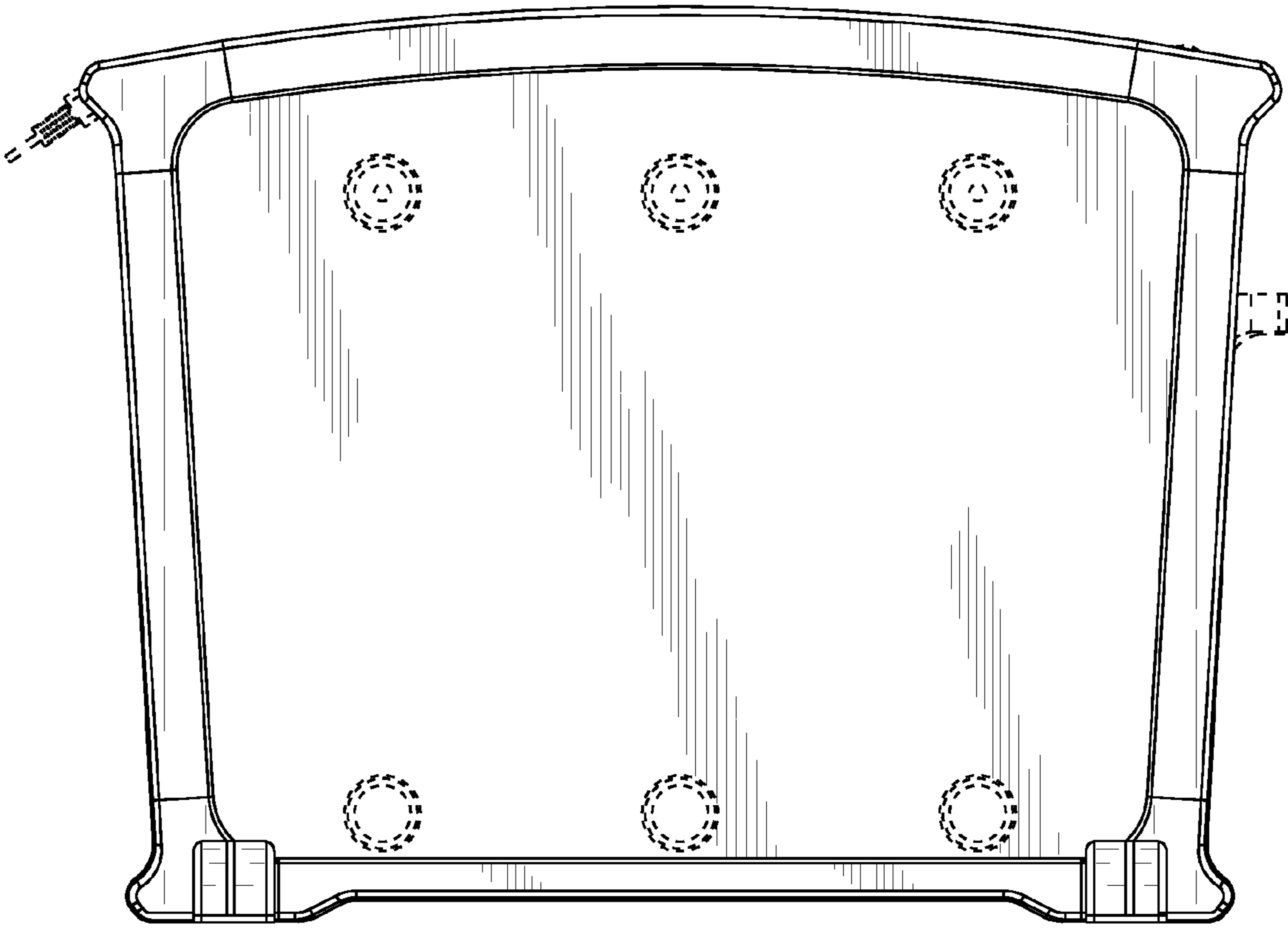


FIG. 4

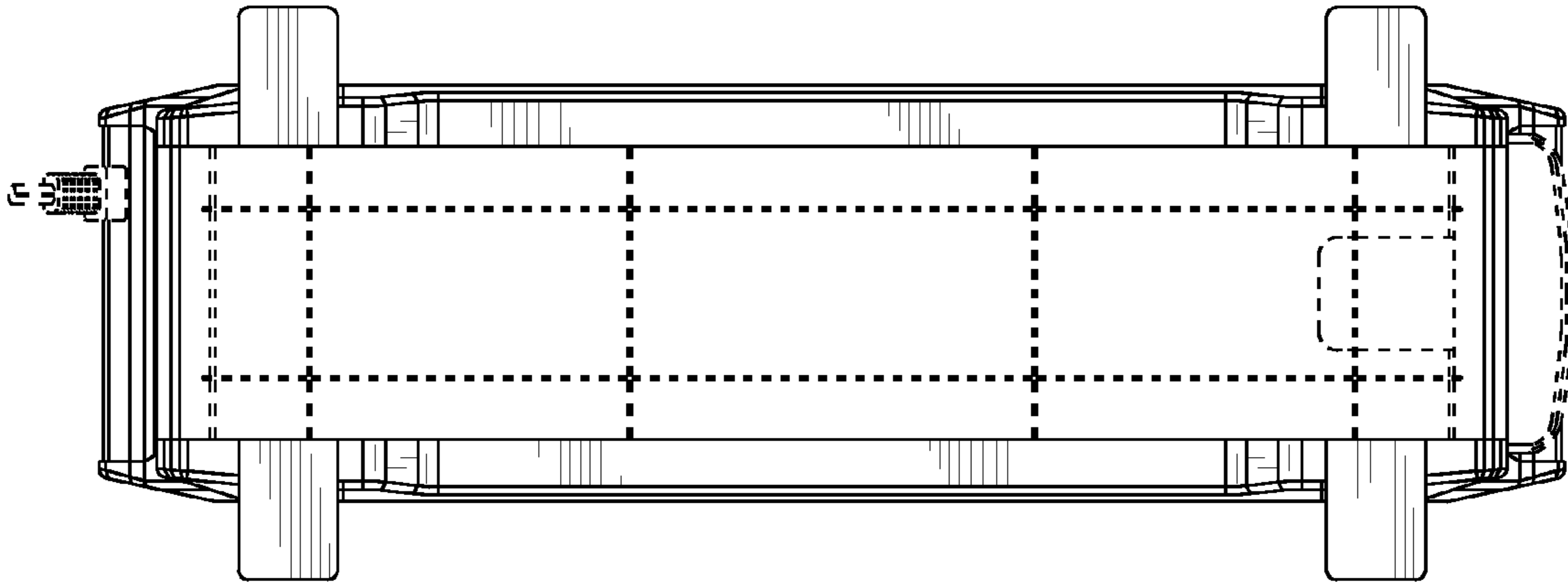
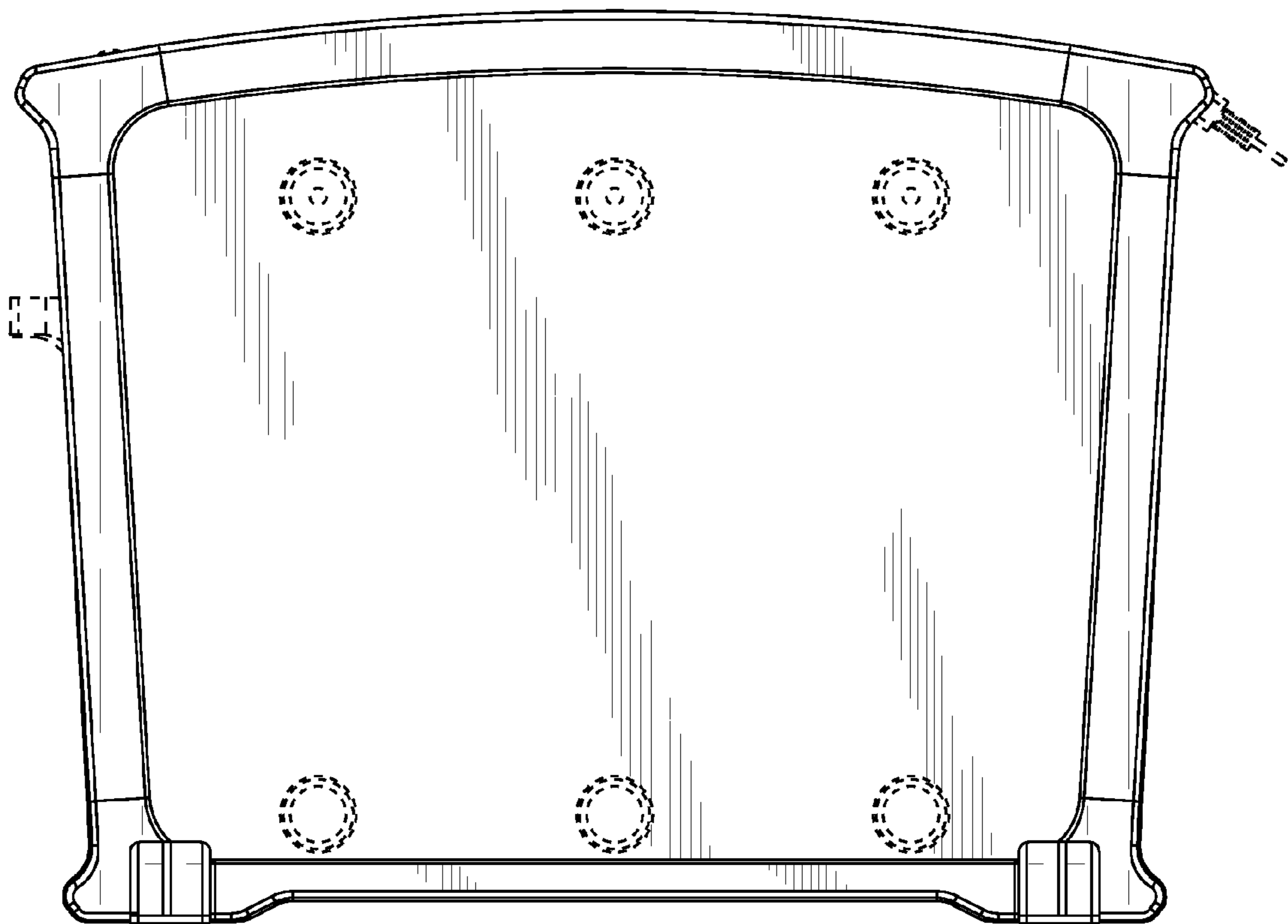
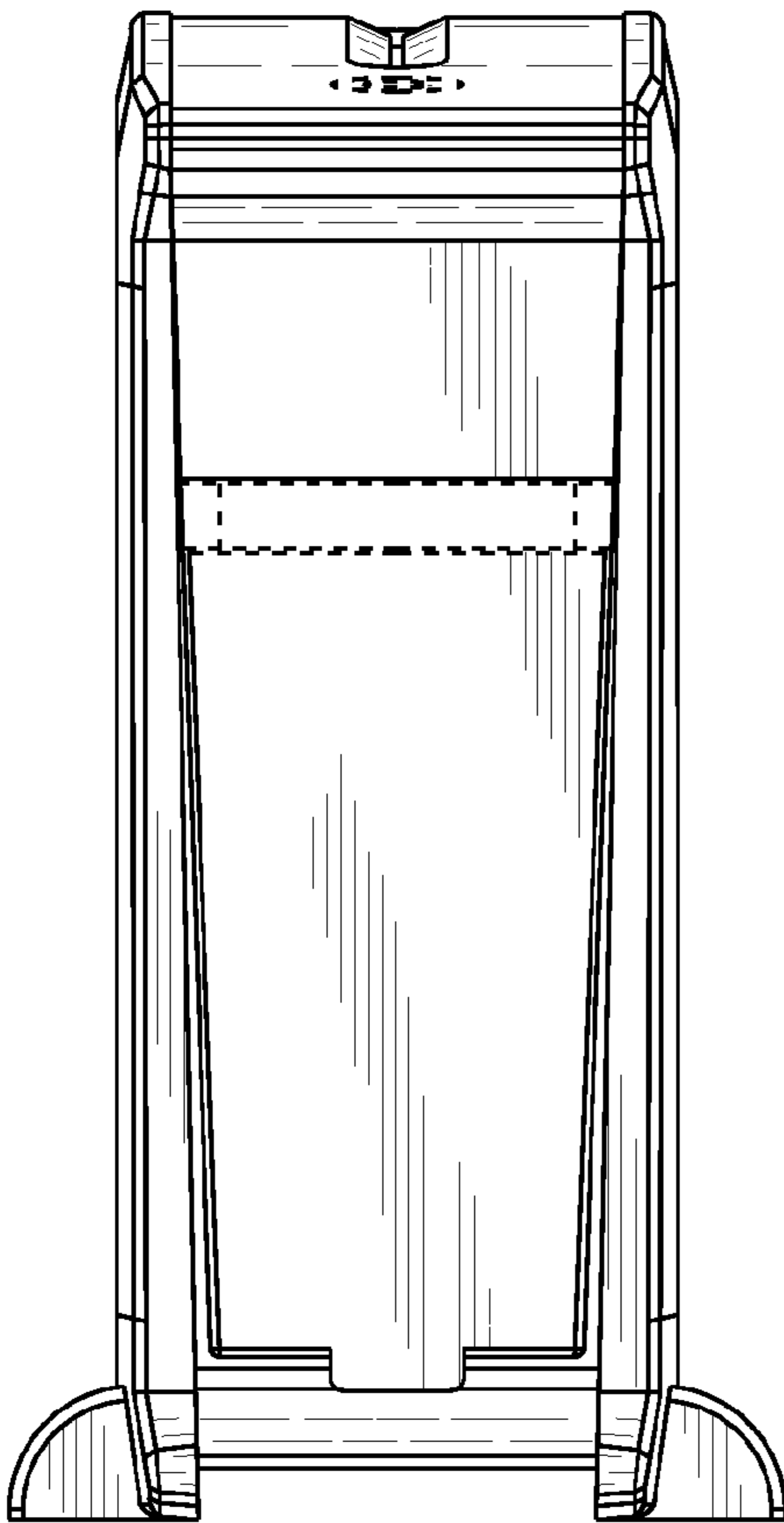


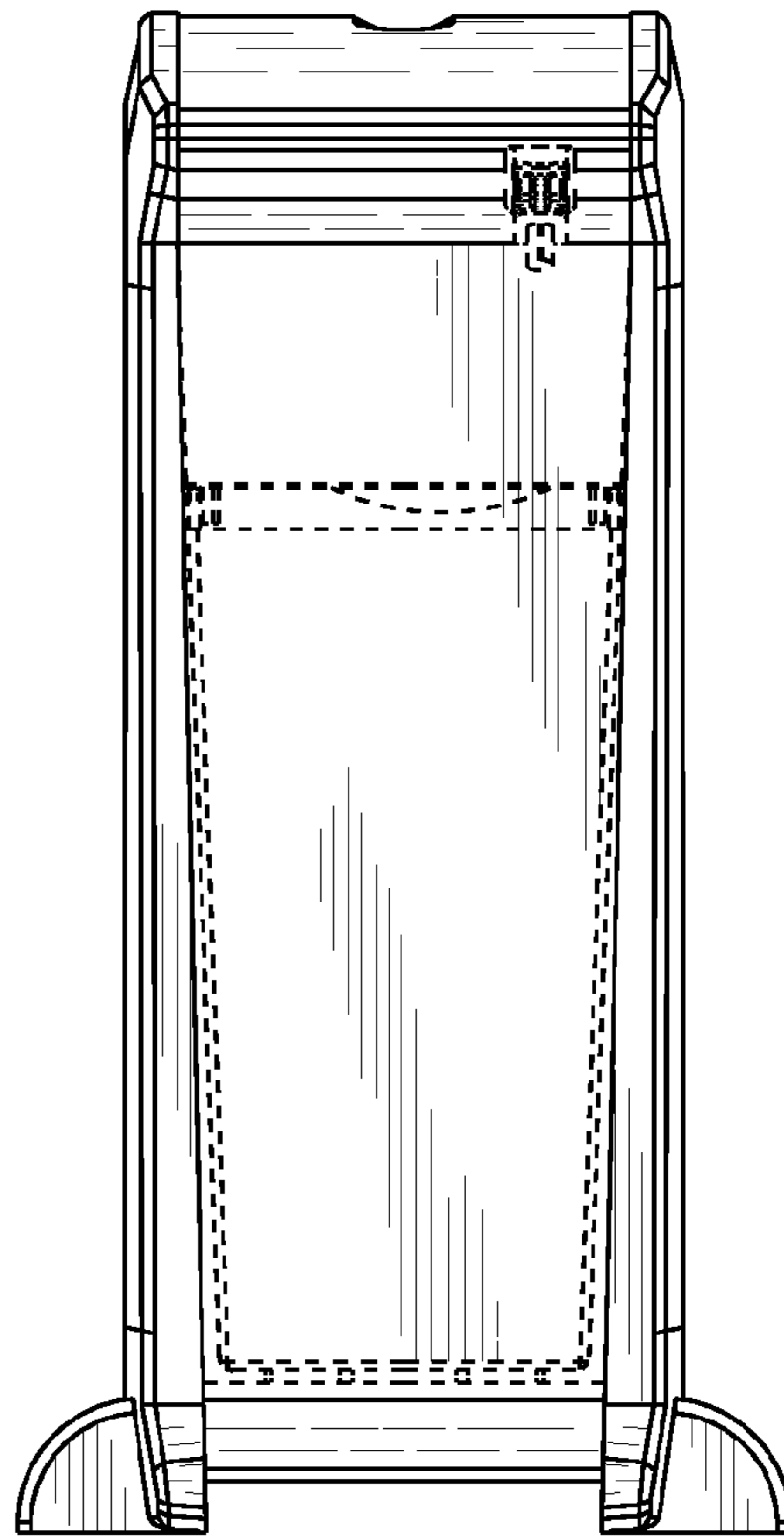
FIG. 5



**FIG. 6**



**FIG. 7**



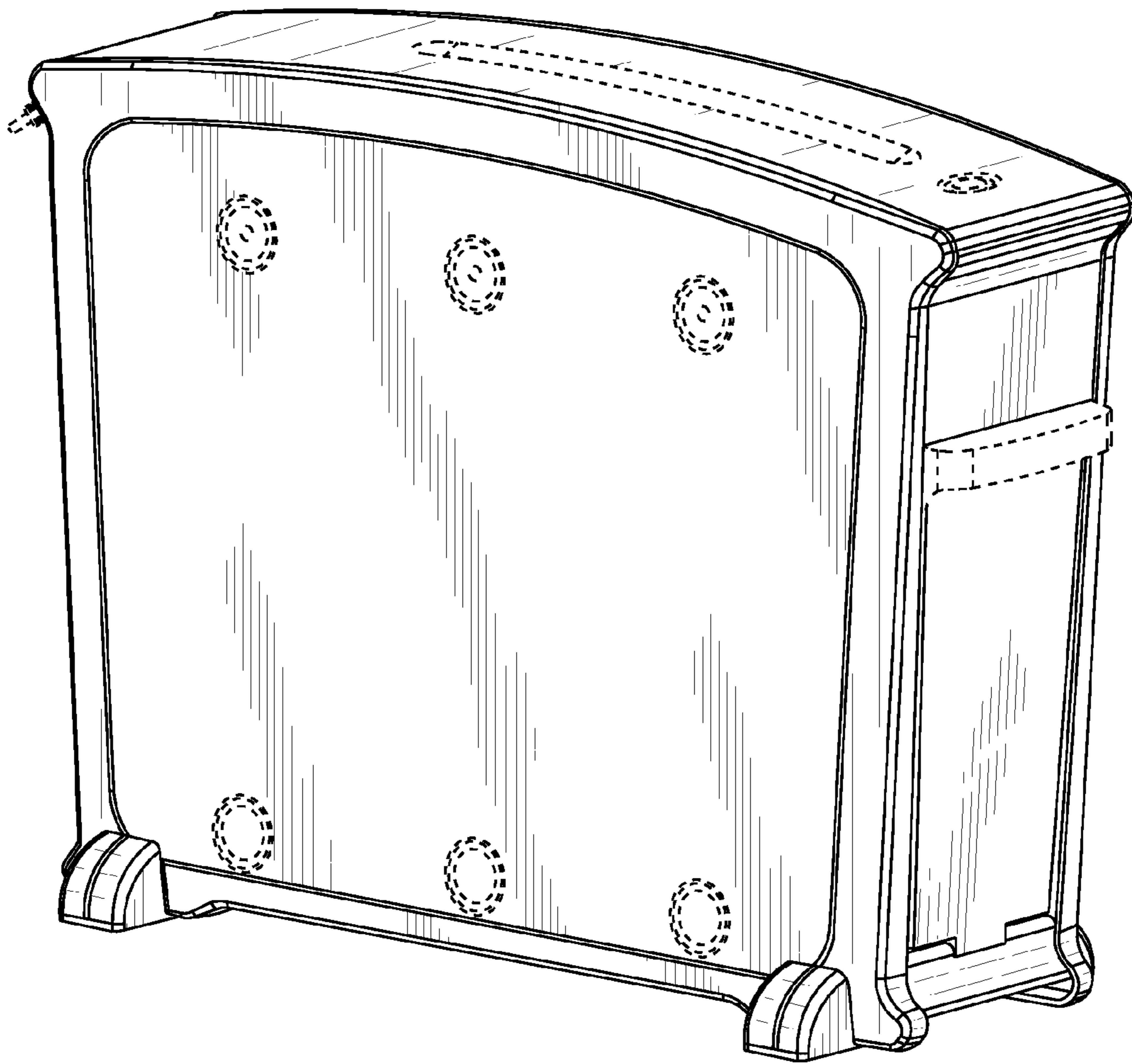


FIG. 8

FIG. 9

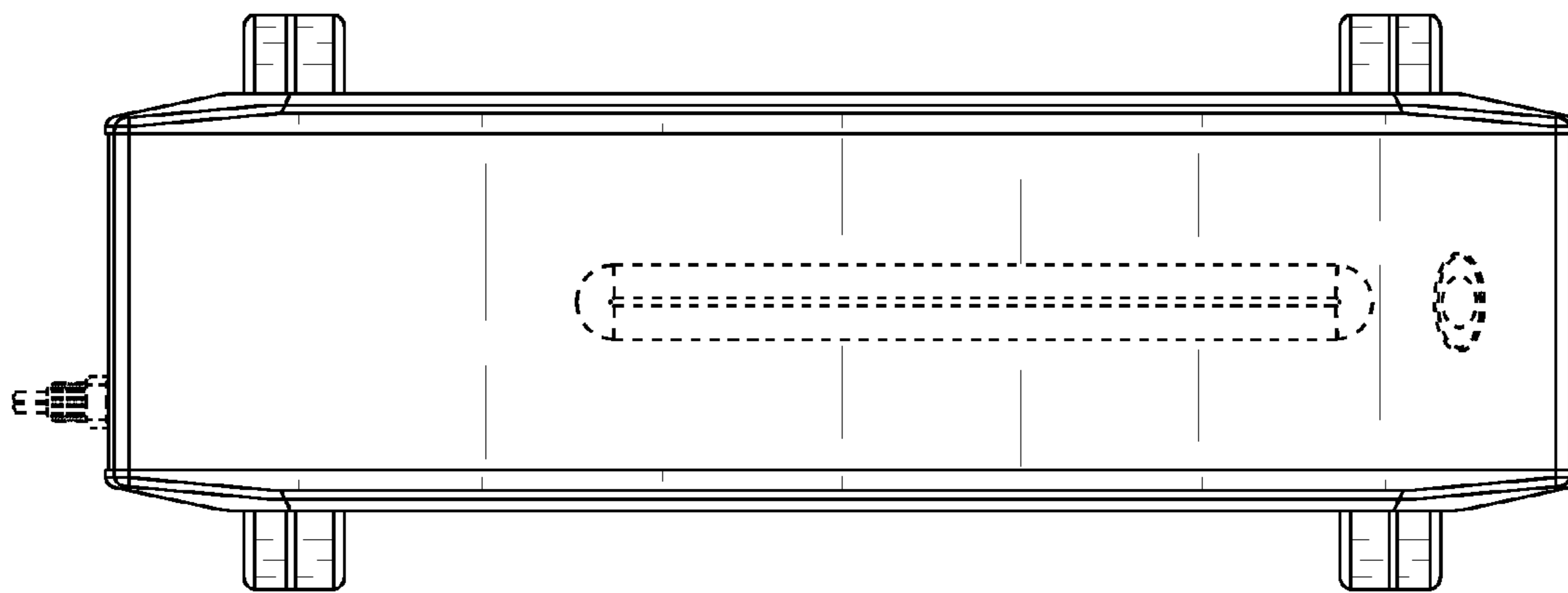


FIG. 10

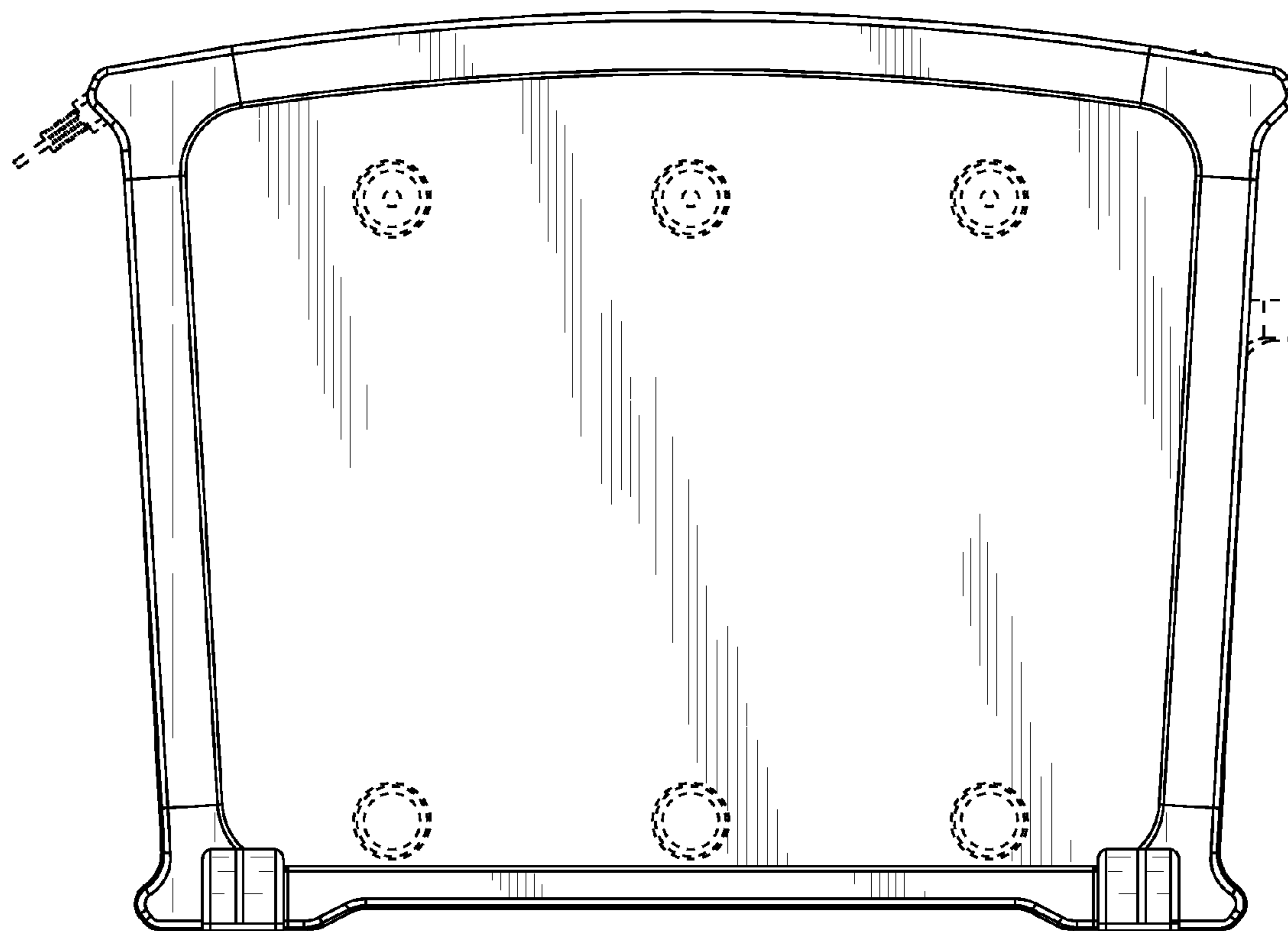




FIG. 11

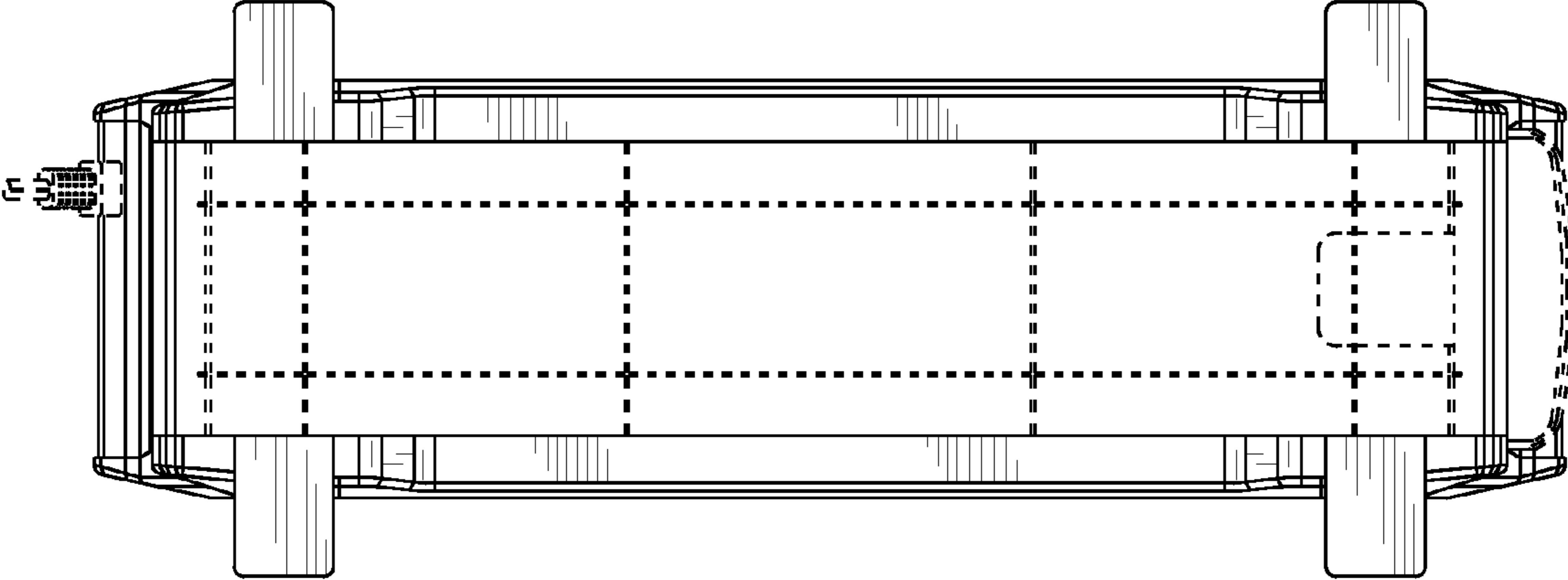
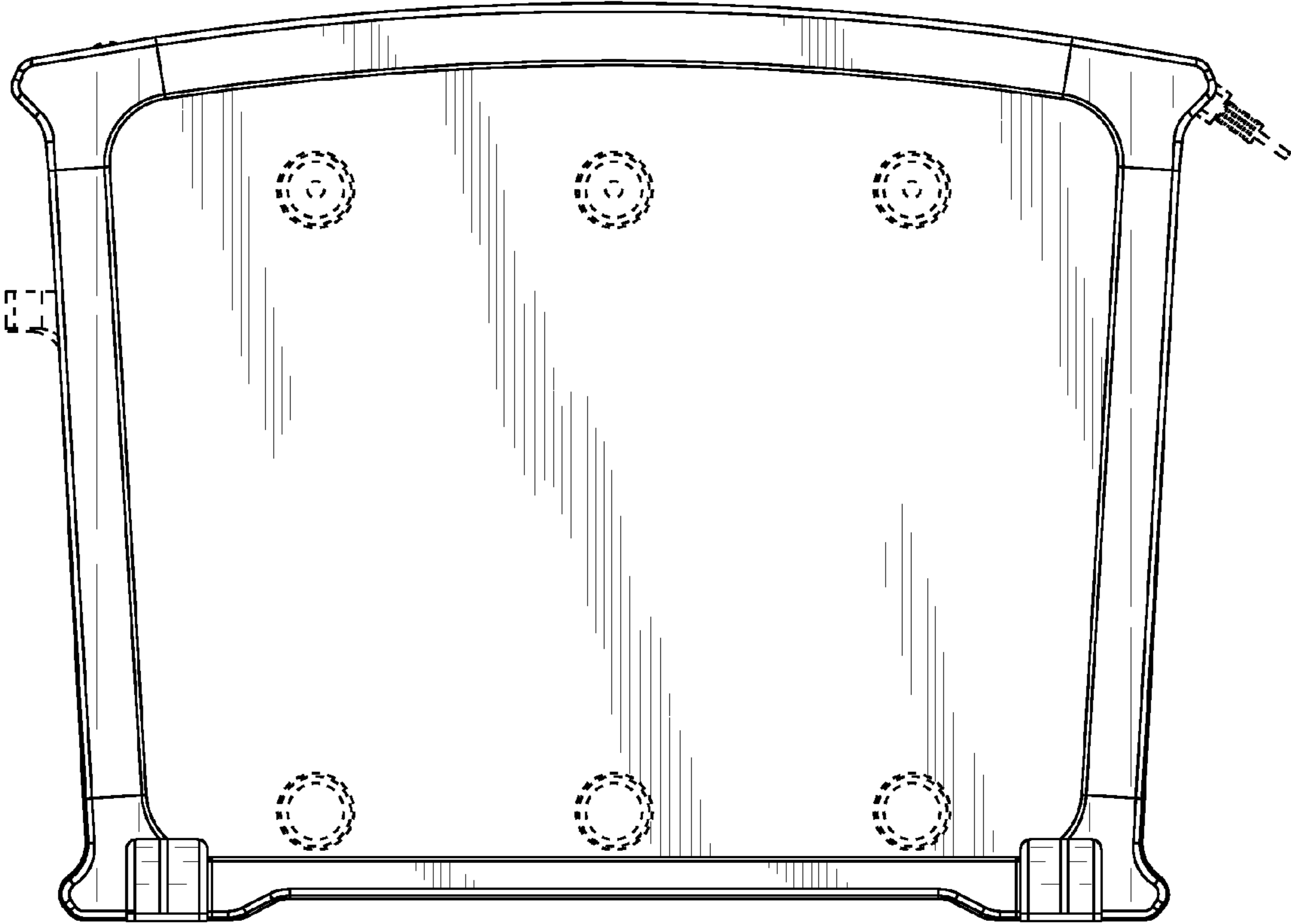
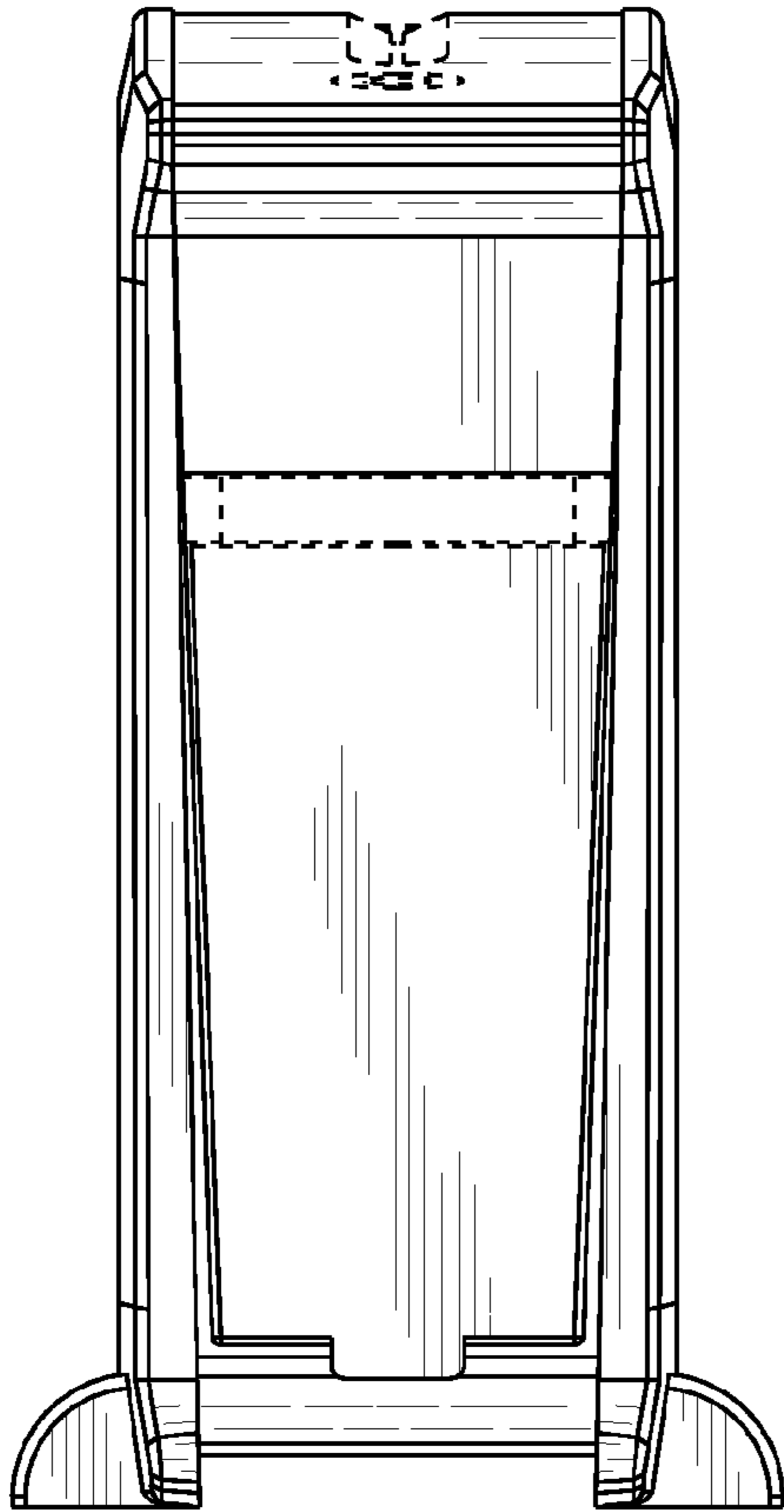


FIG. 12



**FIG. 13**



**FIG. 14**

