



US00D611523S

(12) **United States Design Patent**
Chan

(10) **Patent No.:** **US D611,523 S**
(45) **Date of Patent:** **** Mar. 9, 2010**

(54) **GUITAR**

(75) Inventor: **Yum Ho Wilbur Chan**, Kowloon (HK)

(73) Assignee: **Legendary Sound International Ltd.**,
Tortola (VG)

(**) Term: **14 Years**

(21) Appl. No.: **29/334,855**

(22) Filed: **Apr. 2, 2009**

(51) **LOC (9) Cl.** **17-03**

(52) **U.S. Cl.** **D17/19**

(58) **Field of Classification Search** D17/14,
D17/18-20; 84/7, 9, 267, 268, 290-293
See application file for complete search history.

(56) **References Cited**

U.S. PATENT DOCUMENTS

2,903,935	A *	9/1959	Raze	84/318
3,153,970	A *	10/1964	Mulchi	84/485 R
4,467,692	A *	8/1984	Egan	84/291
4,873,909	A *	10/1989	Humphrey	84/293
5,396,823	A *	3/1995	Hoshino	84/291
5,488,892	A *	2/1996	Jepsen	84/322
5,567,894	A *	10/1996	Shiomi	84/291
D375,901	S *	11/1996	Wong	D10/6
6,103,961	A *	8/2000	Kaufman	84/291
6,861,581	B2 *	3/2005	Geiger	84/294

D521,046	S *	5/2006	Martinez	D17/19
7,259,308	B2 *	8/2007	Geiger	84/294
7,473,831	B2 *	1/2009	Cody	84/291

OTHER PUBLICATIONS

U.S. Appl. No. 29/334,856, filed Apr. 2, 2009; Chan.

* cited by examiner

Primary Examiner—Ian Simmons

Assistant Examiner—R. Johnson

(74) *Attorney, Agent, or Firm*—Intellectual Property Law
Group LLP; Juneko Jackson; Otto O. Lee

(57) **CLAIM**

The ornamental design for a guitar, as shown and described.

DESCRIPTION

FIG. 1 is a front right perspective view of a guitar embodying my new design;

FIG. 2 is a rear left perspective view thereof;

FIG. 3 is a front view thereof;

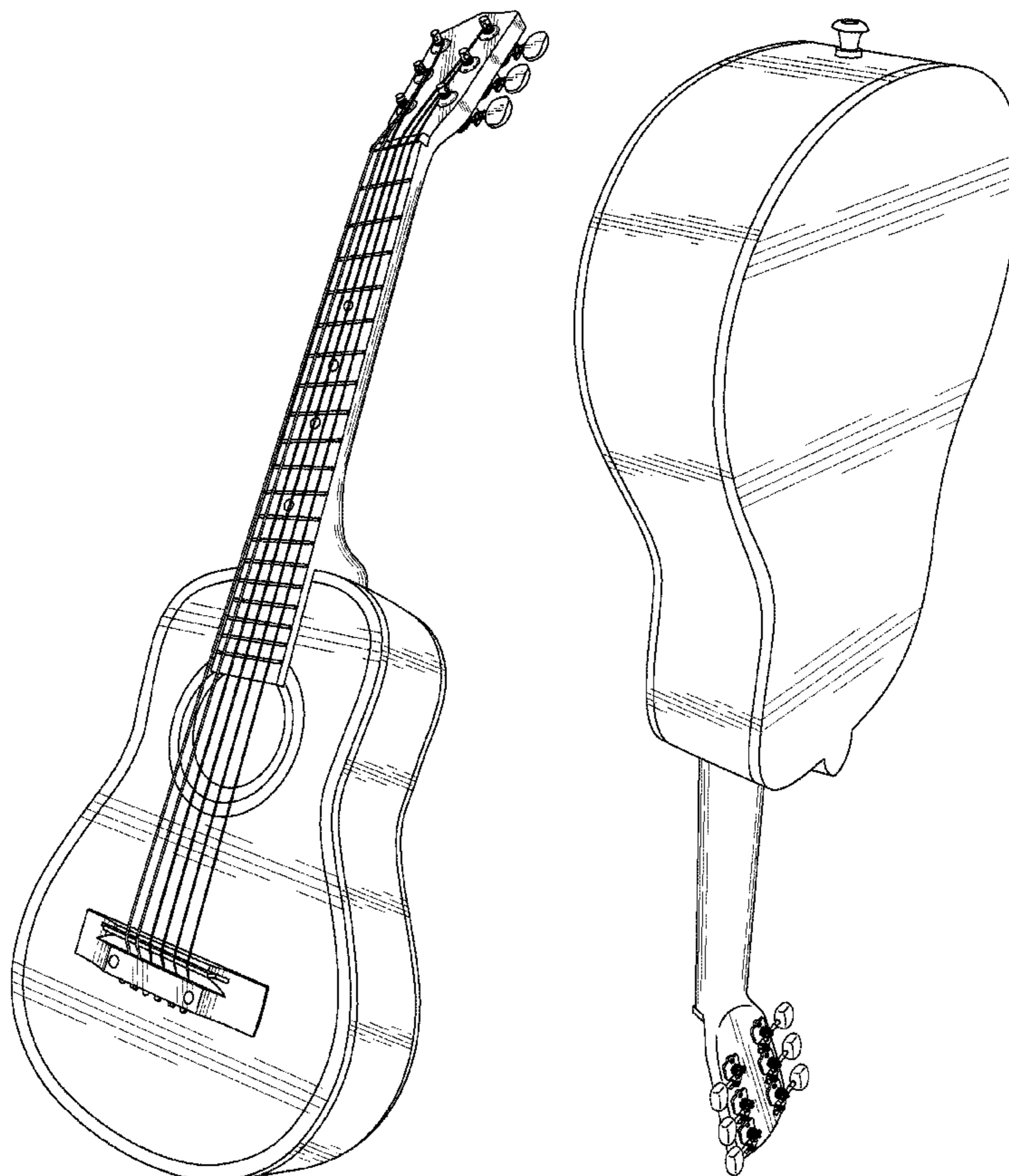
FIG. 4 is a rear view thereof;

FIG. 5 is a left side view thereof; the right side view being a mirror image thereof;

FIG. 6 is a top plan view thereof; and,

FIG. 7 is a bottom plan view thereof.

1 Claim, 5 Drawing Sheets



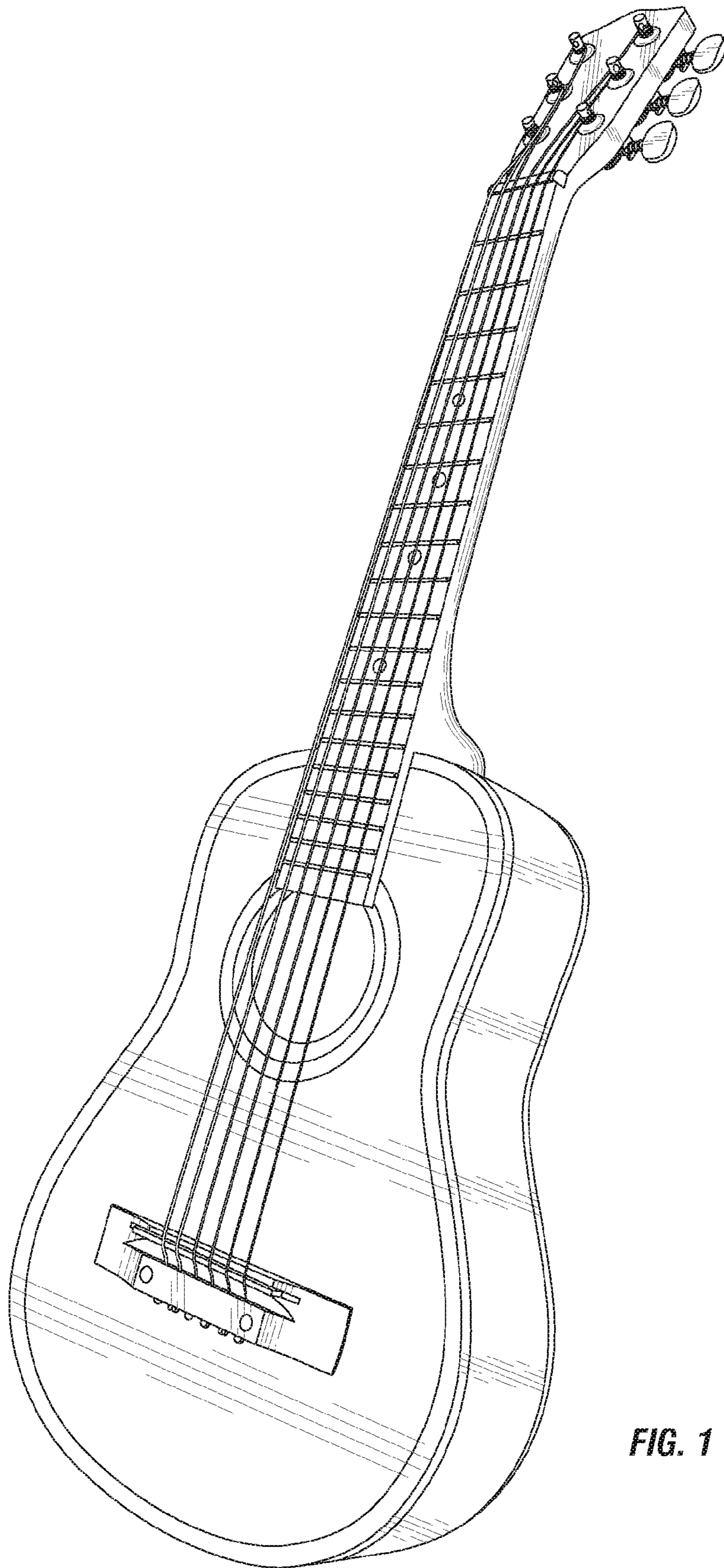


FIG. 1

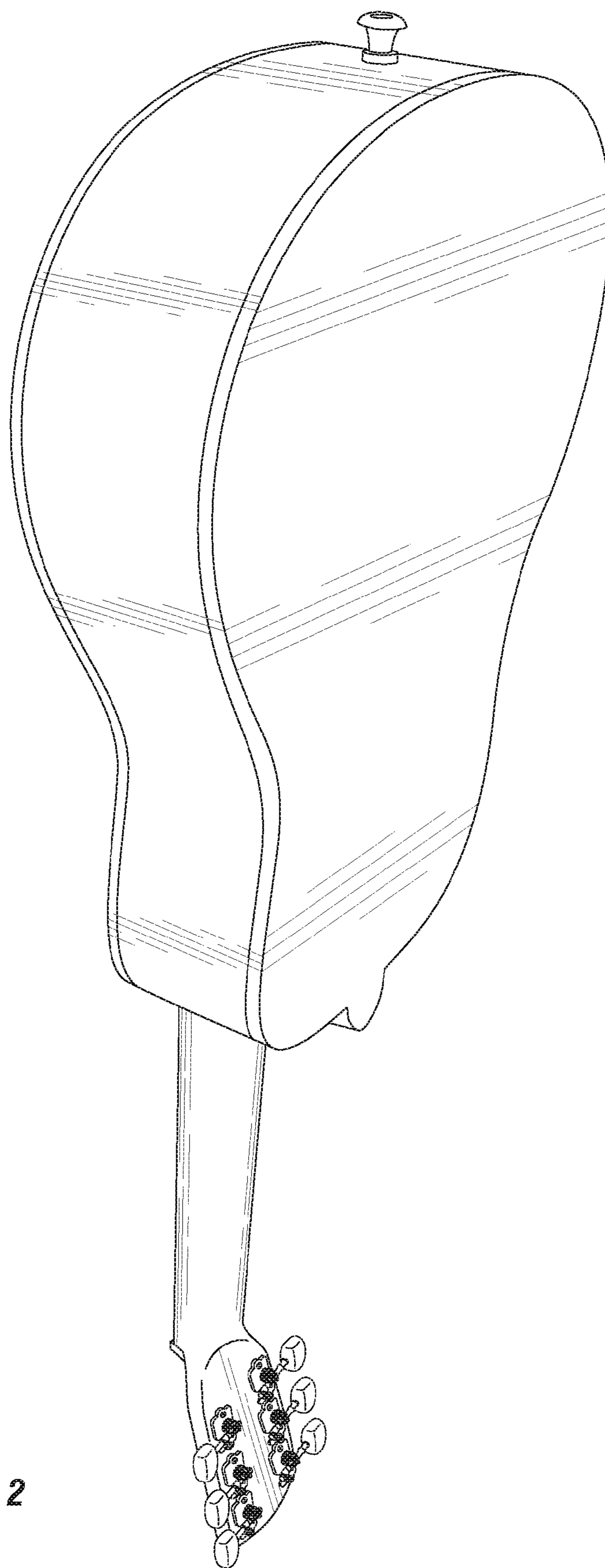


FIG. 2

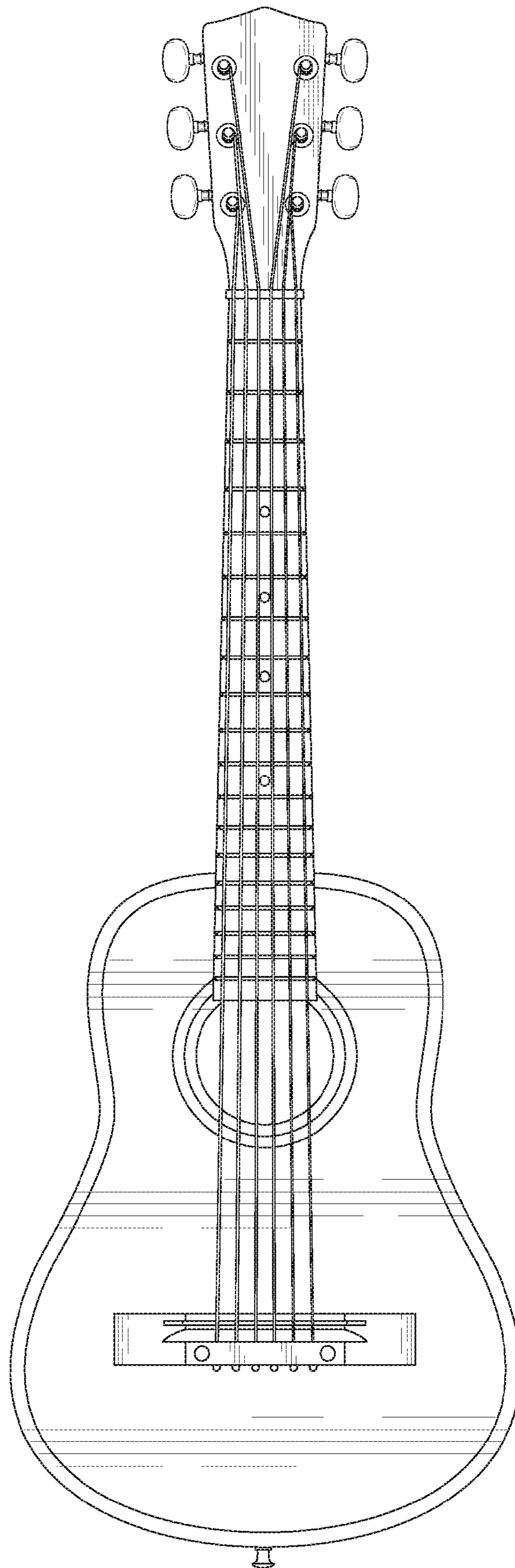


FIG. 3

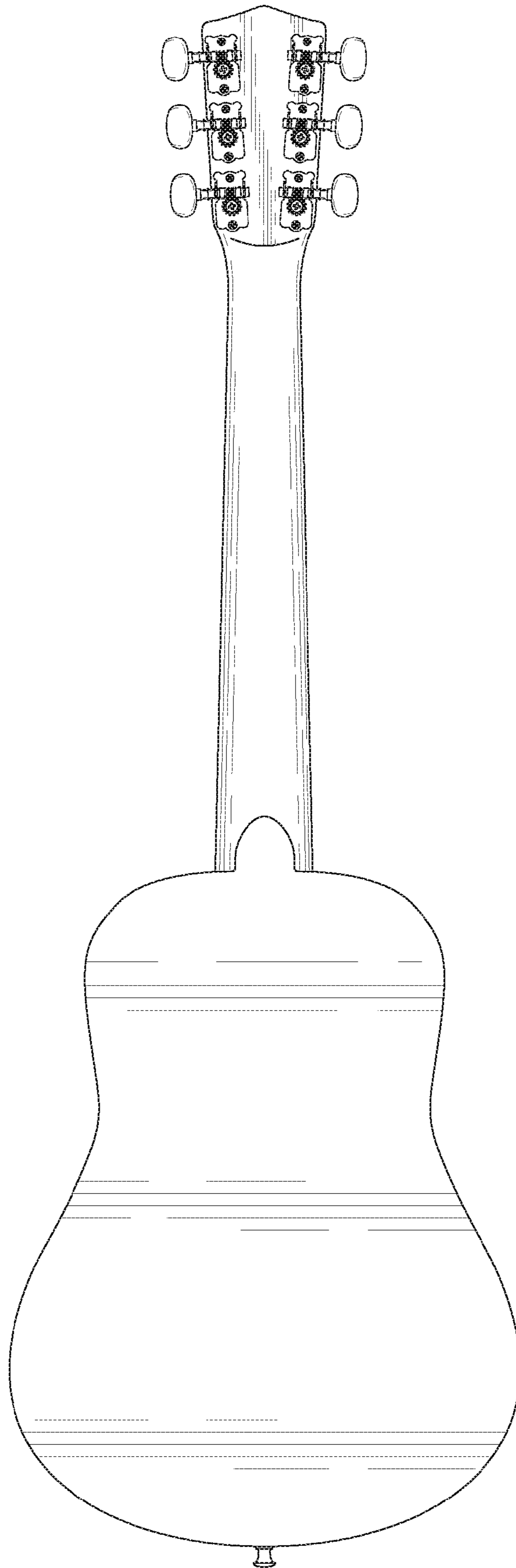


FIG. 4

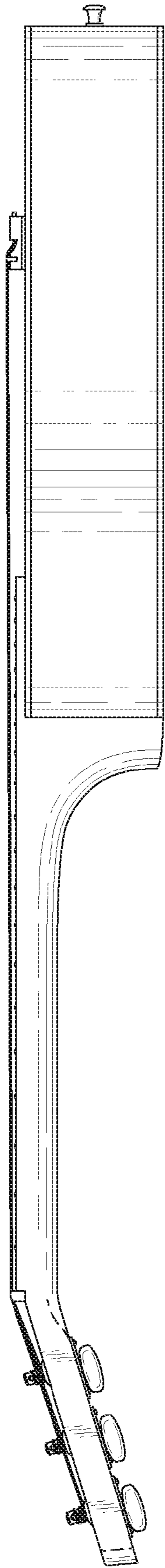


FIG. 5

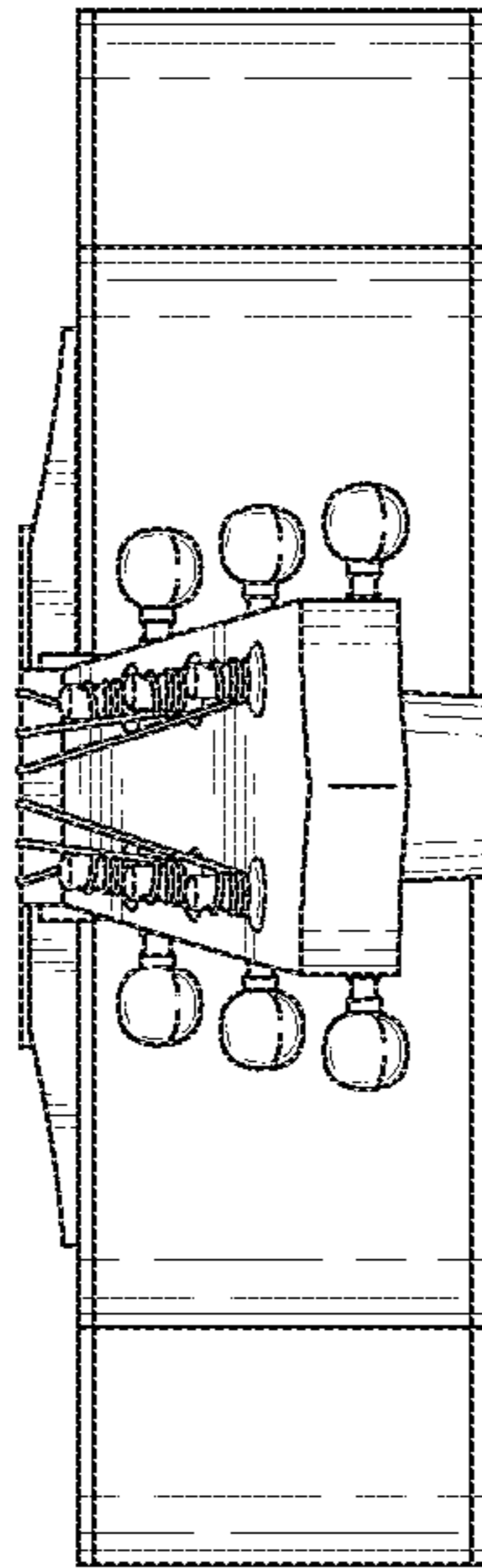


FIG. 6

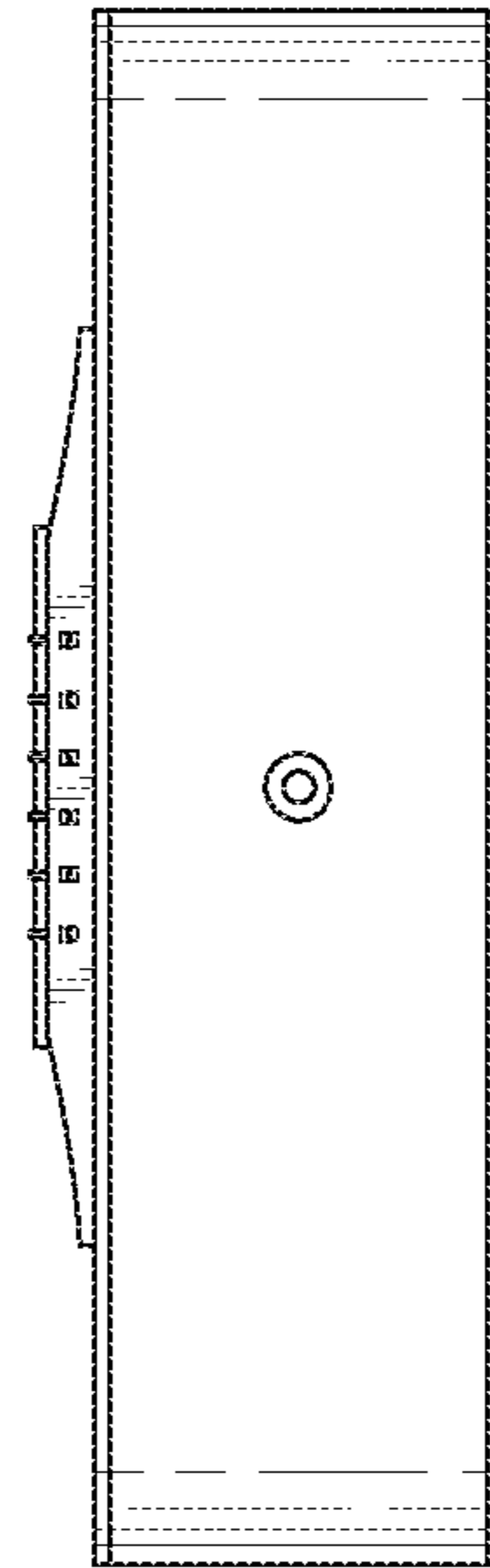


FIG. 7