



US00D611518S

(12) **United States Design Patent**
Chin et al.

(10) **Patent No.:** **US D611,518 S**

(45) **Date of Patent:** **** Mar. 9, 2010**

(54) **DIGITAL CAMERA**

(75) Inventors: **Byung-wook Chin**, Changwon (KR);
Suk-yeon Rim, Changwon (KR)

(73) Assignee: **Samsung Digital Imaging Co., Ltd.**,
Suwon-si (KR)

(**) Term: **14 Years**

(21) Appl. No.: **29/312,384**

(22) Filed: **Oct. 17, 2008**

(30) **Foreign Application Priority Data**

Apr. 18, 2008 (KR) 30-2008-0016725

(51) **LOC (9) Cl.** **16-05**

(52) **U.S. Cl.** **D16/219; D16/202**

(58) **Field of Classification Search** D16/200–206,
D16/208, 218–219; D13/162, 162.1, 168;
D14/393, 398, 401, 415, 417, 454; 348/373–376;
358/906, 909.1; 396/6, 535–541, 448

See application file for complete search history.

(56) **References Cited**

U.S. PATENT DOCUMENTS

D482,379 S *	11/2003	Utsunomiya	D16/219
D487,727 S *	3/2004	Sjogren et al.	D13/162
D503,417 S *	3/2005	Kawase	D16/202
D526,675 S *	8/2006	Nasu	D16/219
D545,336 S *	6/2007	Kawase	D16/219
D561,739 S *	2/2008	Ikeda et al.	D14/206
D570,393 S *	6/2008	Tajima	D16/219
D571,305 S *	6/2008	Thursfield	D13/168

D580,467 S *	11/2008	Shimobayashi	D16/202
D582,954 S *	12/2008	Imai	D16/202
D597,115 S *	7/2009	Inaba	D16/202

* cited by examiner

Primary Examiner—Ian Simmons

Assistant Examiner—Wan Laymon

(74) *Attorney, Agent, or Firm*—Drinker Biddle & Reath LLP

(57) **CLAIM**

The ornamental design for a digital camera, as shown and described.

DESCRIPTION

FIG. 1 is a perspective view of a digital camera showing our new design;

FIG. 2 is a front elevational view of the digital camera;

FIG. 3 is a rear elevational view of the digital camera;

FIG. 4 is a left side view of the digital camera;

FIG. 5 is a right side view of the digital camera;

FIG. 6 is a top plan view of the digital camera;

FIG. 7 is a bottom plan view of the digital camera; and,

FIG. 8 is an enlarged fragmentary rear view of the digital camera taken along line 8—8 in FIG. 3.

The even broken line showing portions of a digital camera is included for the purpose of illustrating environmental structure and forms no part of the claimed design. The dash-dot line indicates the boundary of the figure and forms no part of the claimed design.

1 Claim, 6 Drawing Sheets

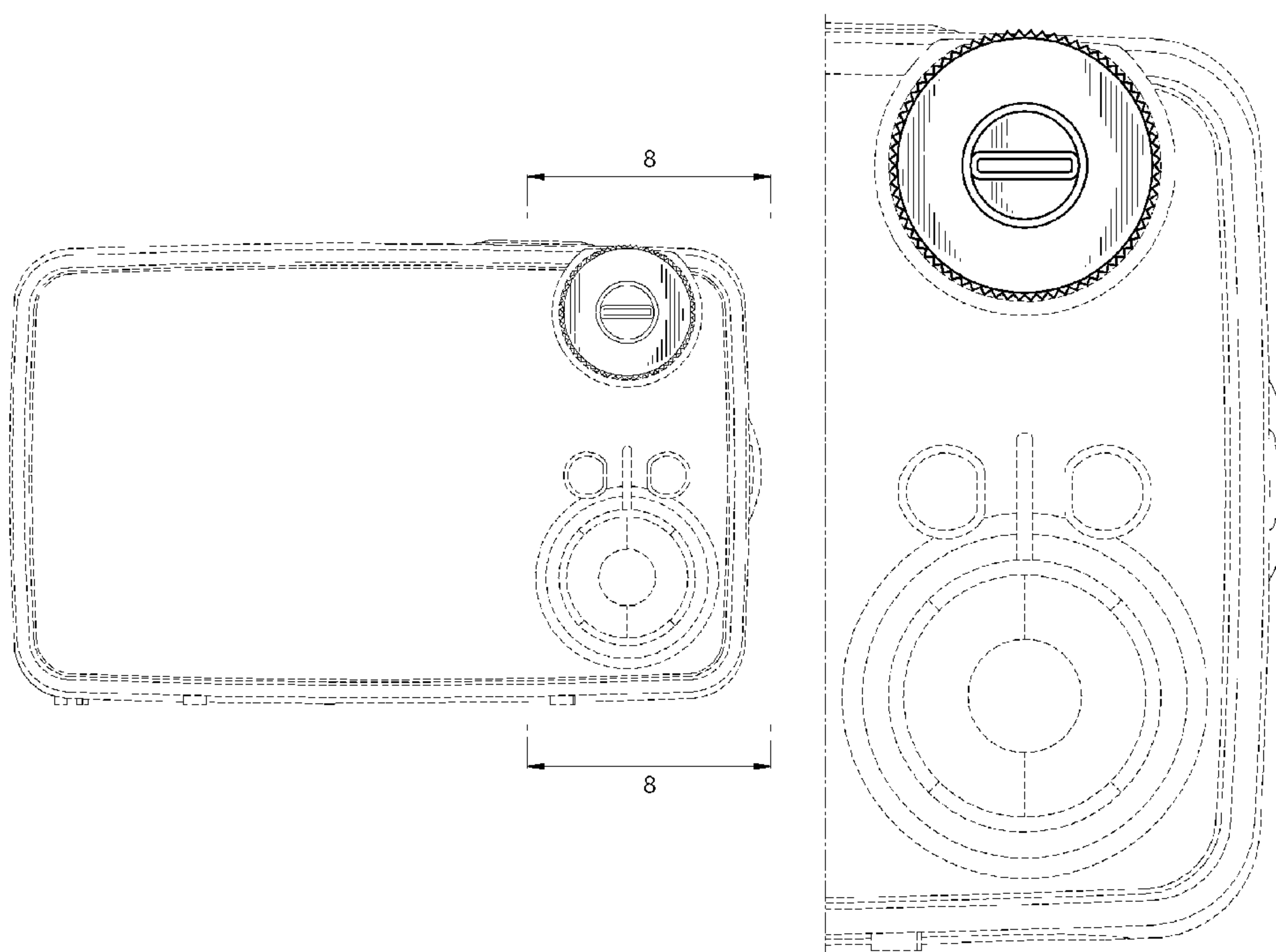


FIG. 1

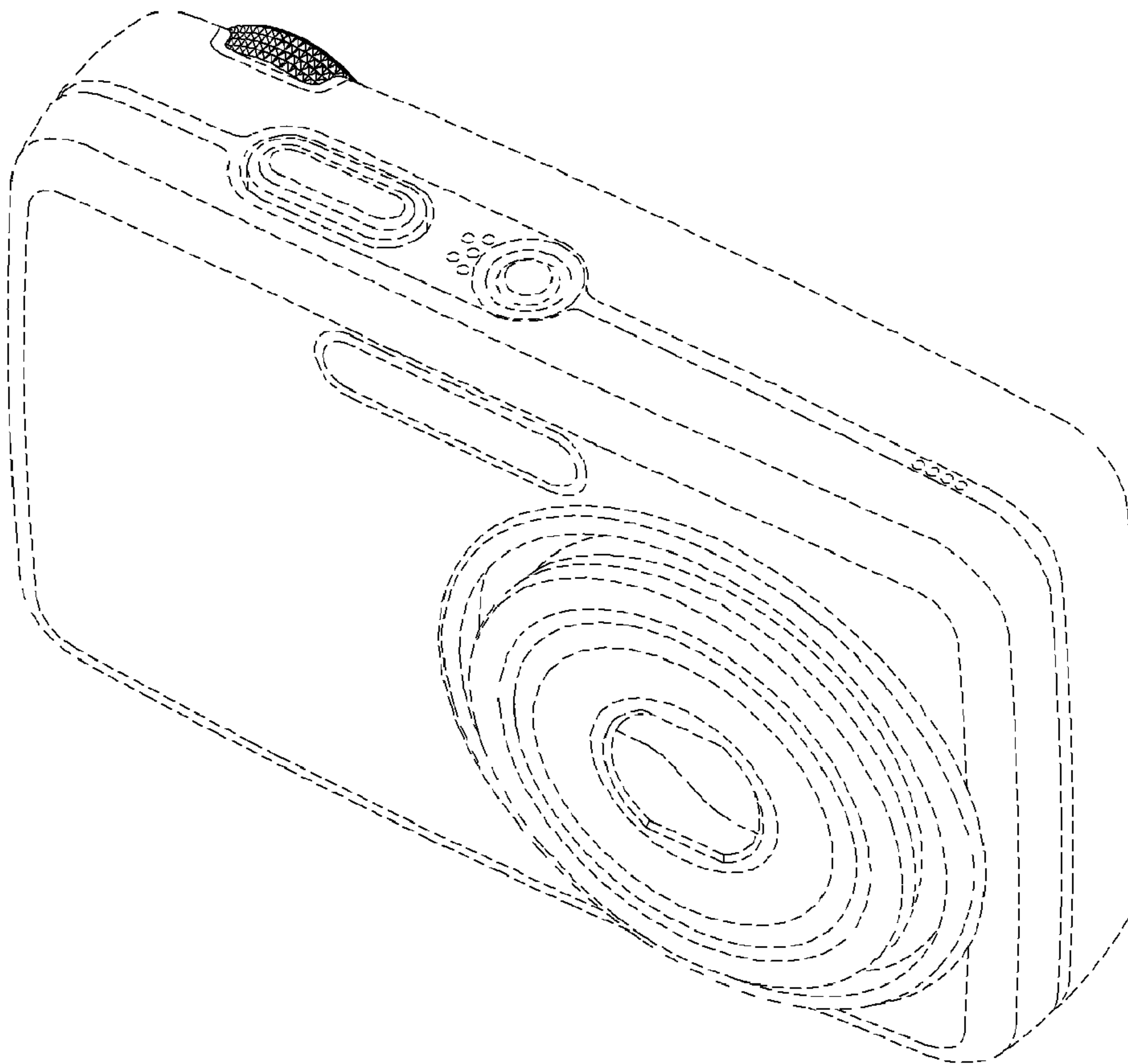


FIG. 2

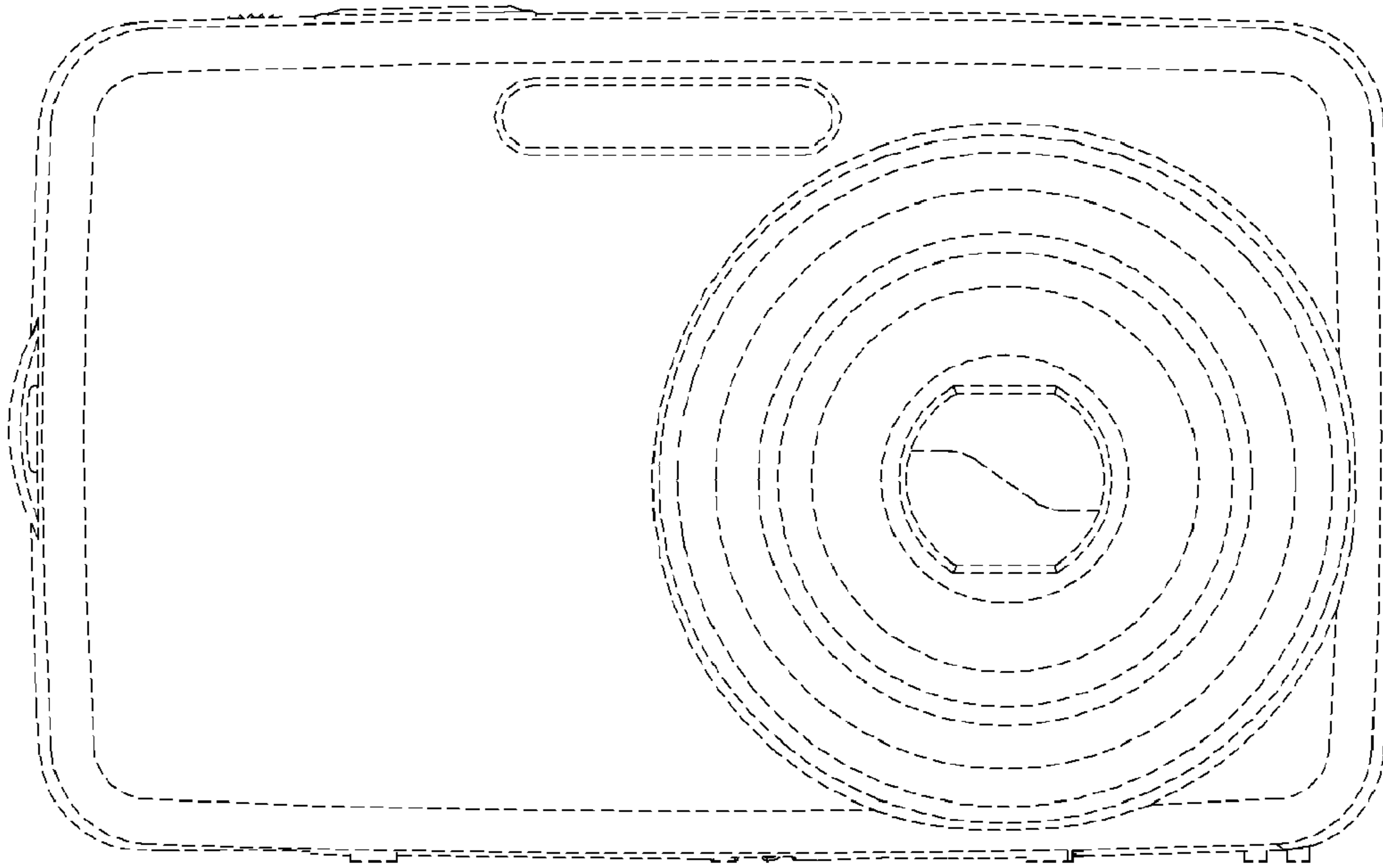


FIG. 3

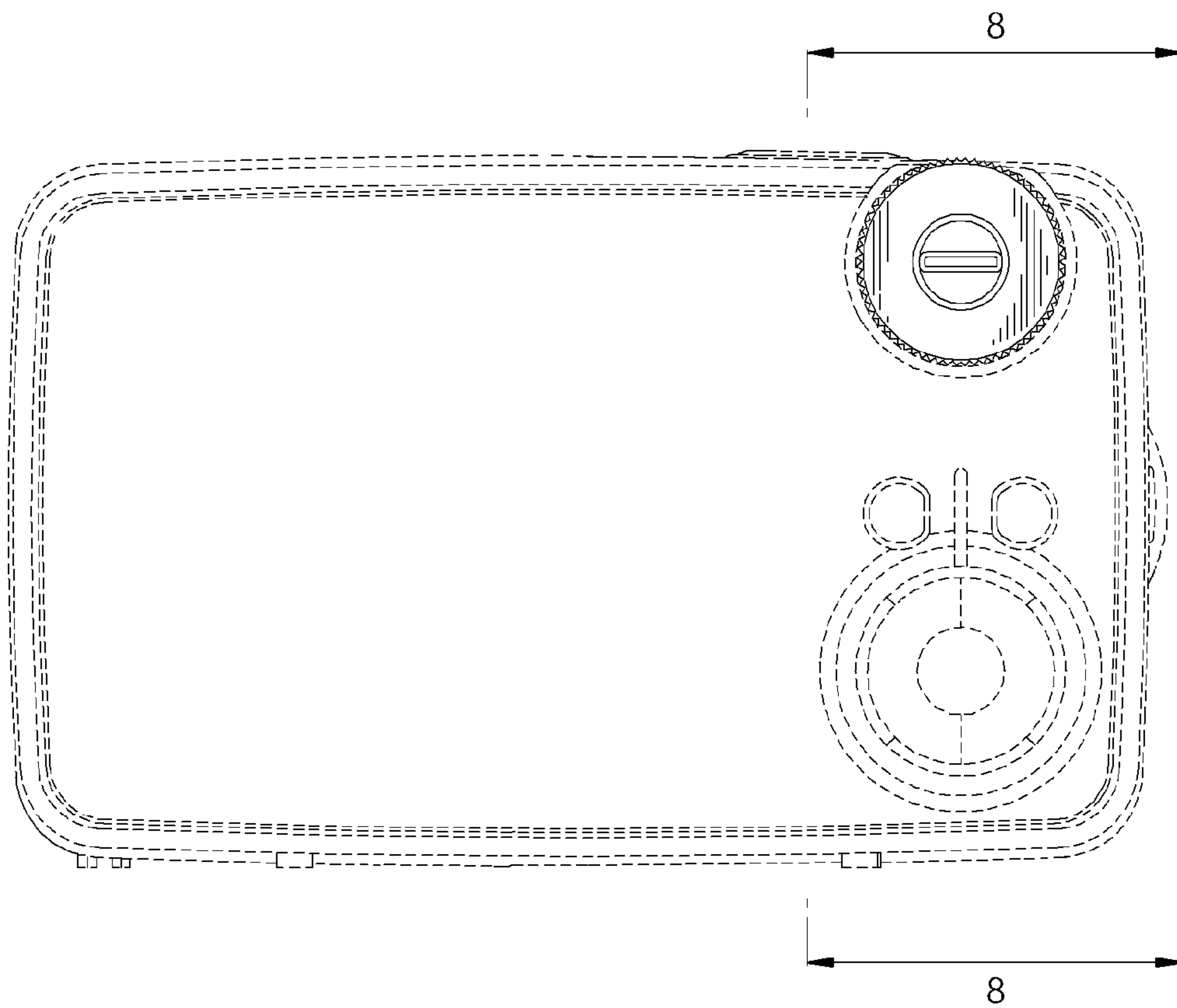


FIG. 4

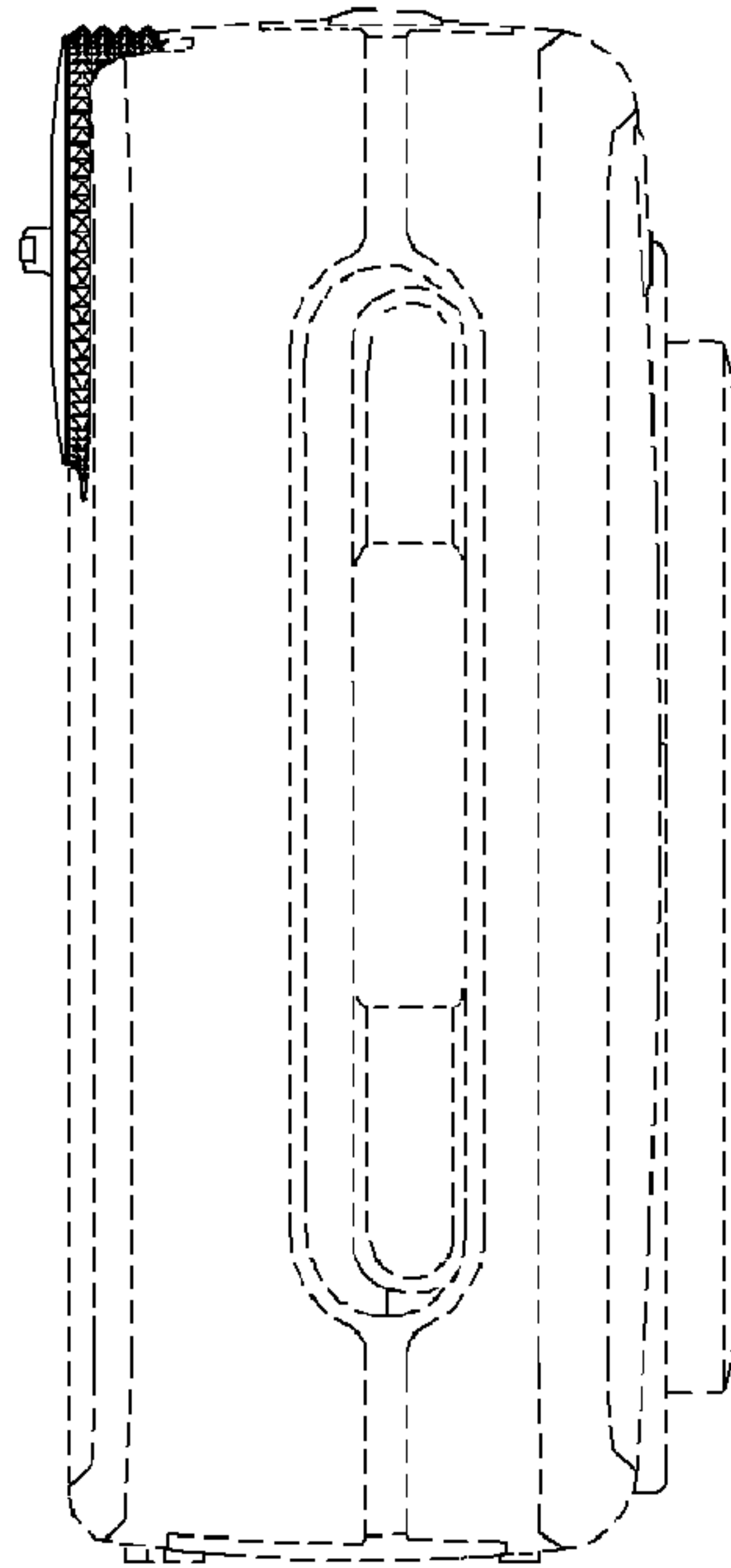


FIG. 5

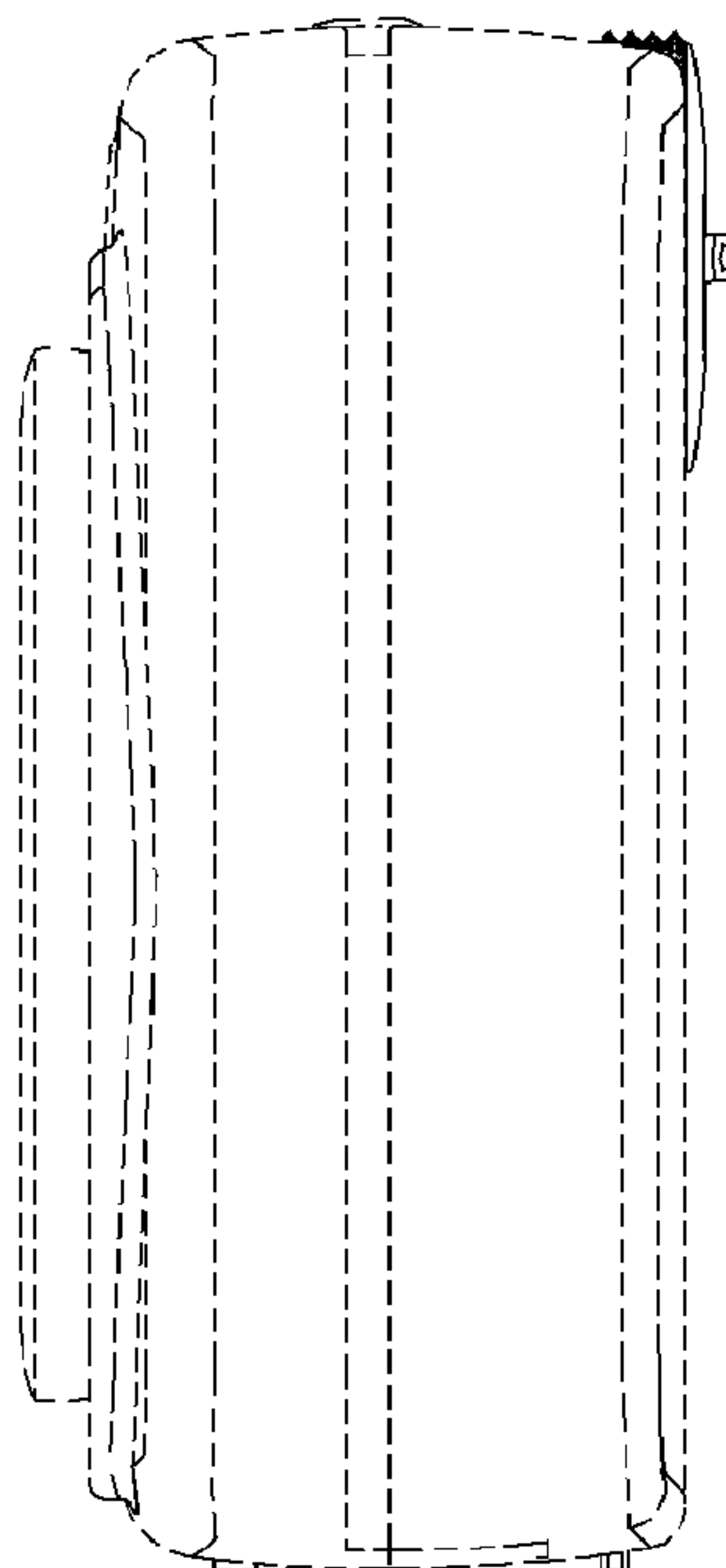


FIG. 6

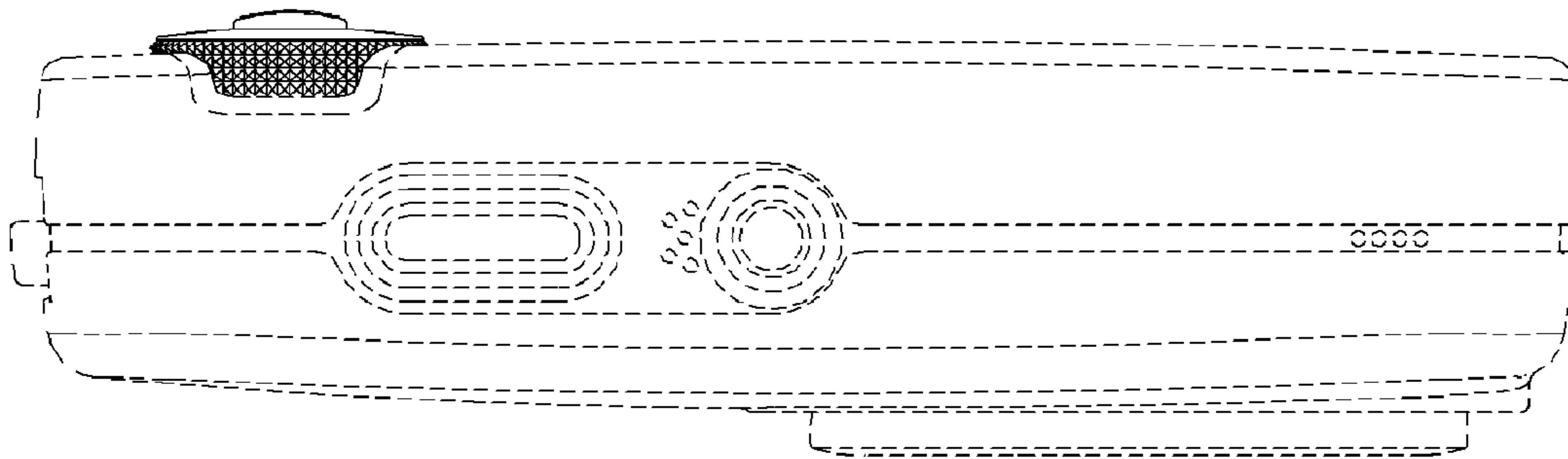


FIG. 7

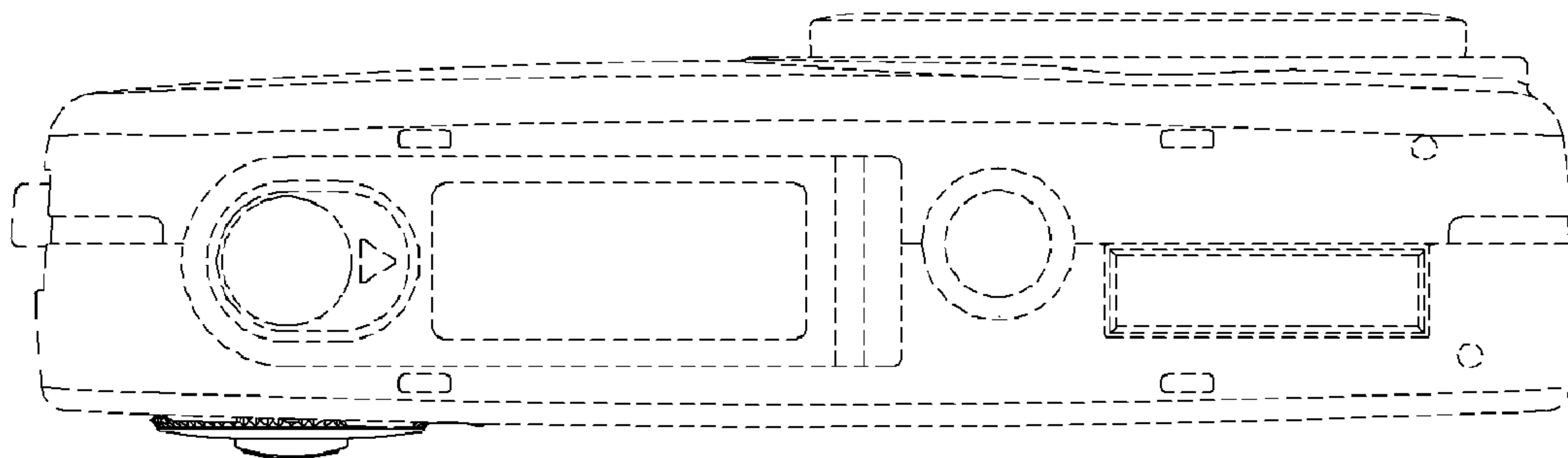


FIG. 8

