



US00D611515S

(12) **United States Design Patent**
Chastine et al.

(10) **Patent No.:** **US D611,515 S**
(45) **Date of Patent:** **** Mar. 9, 2010**

(54) **HOT MELT ADHESIVE MELTER**

(75) Inventors: **Christopher R. Chastine**,
Lawrenceville, GA (US); **Paul S. Frates**,
Bethlehem, GA (US); **David R. Jeter**,
Woodstock, GA (US); **Mark G.**
Reifenberger, Norcross, GA (US);
Paula E. Ruse, Lawrenceville, GA (US)

(73) Assignee: **Nordson Corporation**, Westlake, OH
(US)

(**) Term: **14 Years**

(21) Appl. No.: **29/341,492**

(22) Filed: **Aug. 6, 2009**

(51) **LOC (9) Cl.** **15-09**

(52) **U.S. Cl.** **D15/144**

(58) **Field of Classification Search** D15/144,
D15/144.1, 14.2; 219/421, 426, 601; 222/146.5,
222/152, 156, 189.06, 386, 389, 397, 405,
222/420-426, 430, 431; 266/200; 432/161
See application file for complete search history.

(56) **References Cited**

U.S. PATENT DOCUMENTS

3,792,801	A	*	2/1974	Baker et al.	222/146.5
D276,617	S	*	12/1984	Scholl et al.	D15/144
D360,422	S	*	7/1995	Frates et al.	D15/144
D388,800	S	*	1/1998	Zook et al.	D15/144
6,039,217	A		3/2000	Faulkner, III et al.		
D425,530	S	*	5/2000	Lafitte	D15/144
D488,177	S		4/2004	Dittmann et al.		
D500,063	S	*	12/2004	Jeter et al.	D15/144
D552,641	S	*	10/2007	Razquin Murgui	D15/144

D556,798	S	*	12/2007	Franco	D15/144
D562,368	S	*	2/2008	Byerly et al.	D15/144
2009/0095730	A1	*	4/2009	Ganzer et al.	219/421

* cited by examiner

Primary Examiner—Sandra Snapp
Assistant Examiner—Patricia Palasik
(74) *Attorney, Agent, or Firm*—Wood, Herron & Evans,
L.L.P.

(57) **CLAIM**

The ornamental design for a hot melt adhesive melter, as shown and described.

DESCRIPTION

FIG. 1 is a front perspective view of the hot melt adhesive melter with broken lines showing environmental structure that do not form any part of the claimed invention.

FIG. 2 is a front perspective view of the hot melt adhesive melter as shown in FIG. 1, but without the broken lines.

FIG. 3 is a front view of the hot melt adhesive melter according to the first embodiment of the invention.

FIG. 4 is a left side view of the hot melt adhesive melter according to the first embodiment of the invention.

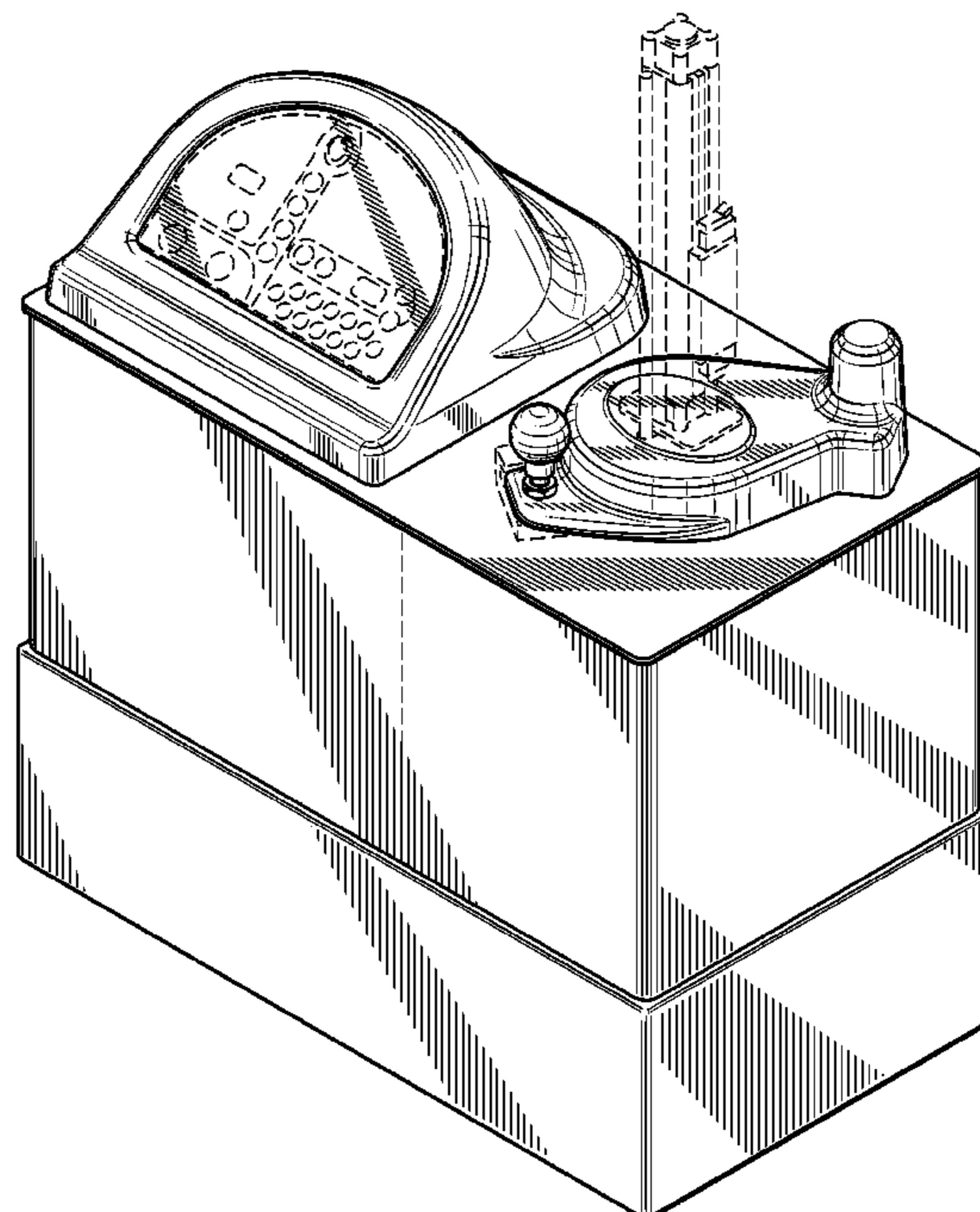
FIG. 5 is a right side view of the hot melt adhesive melter according to the first embodiment of the invention.

FIG. 6 is a rear view of the hot melt adhesive melter according to the first embodiment of the invention.

FIG. 7 is a top view of the hot melt adhesive melter according to the first embodiment of the invention; and,

FIG. 8 is a bottom view of the hot melt adhesive melter according to the first embodiment of the invention.

1 Claim, 7 Drawing Sheets



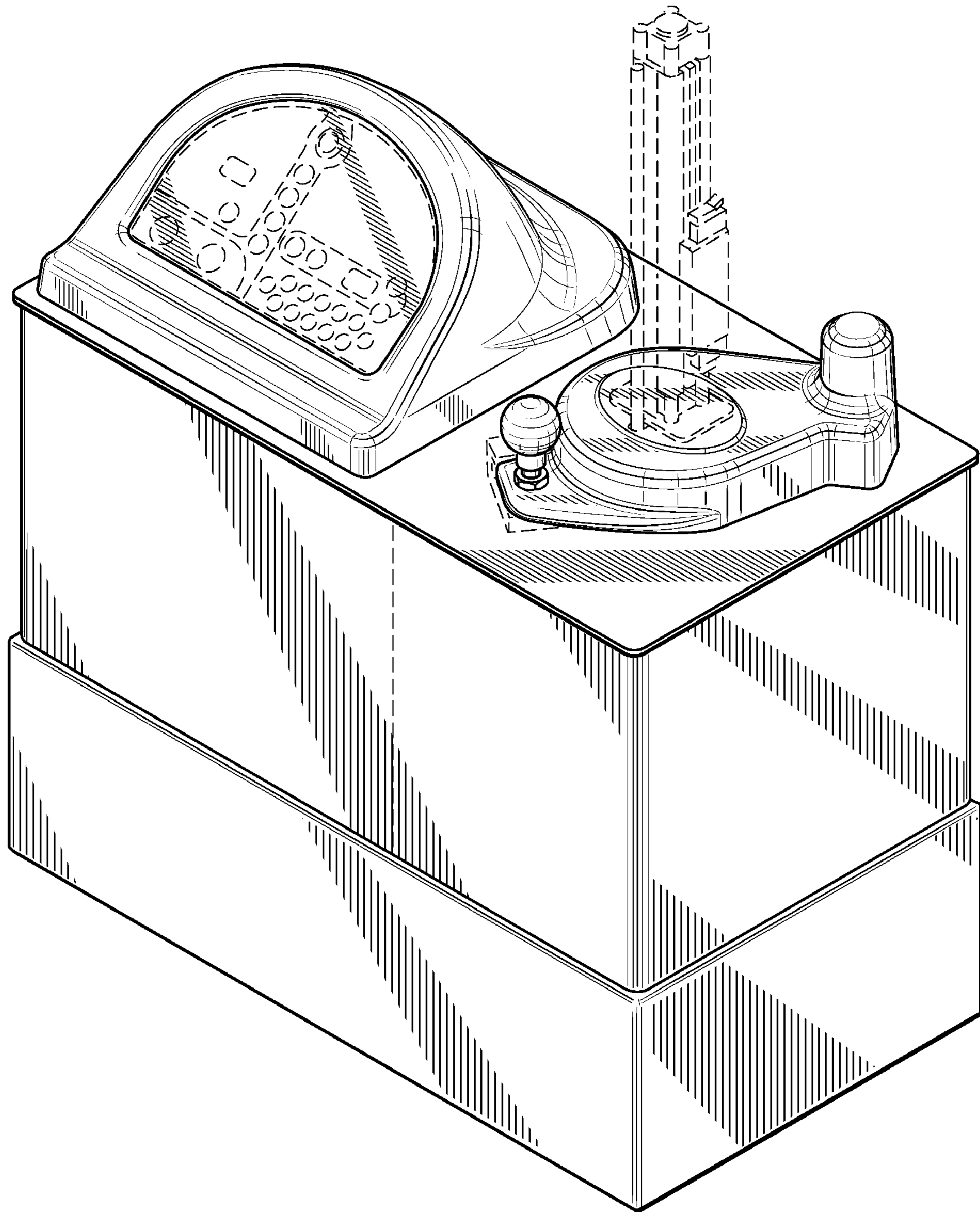


FIG. 1

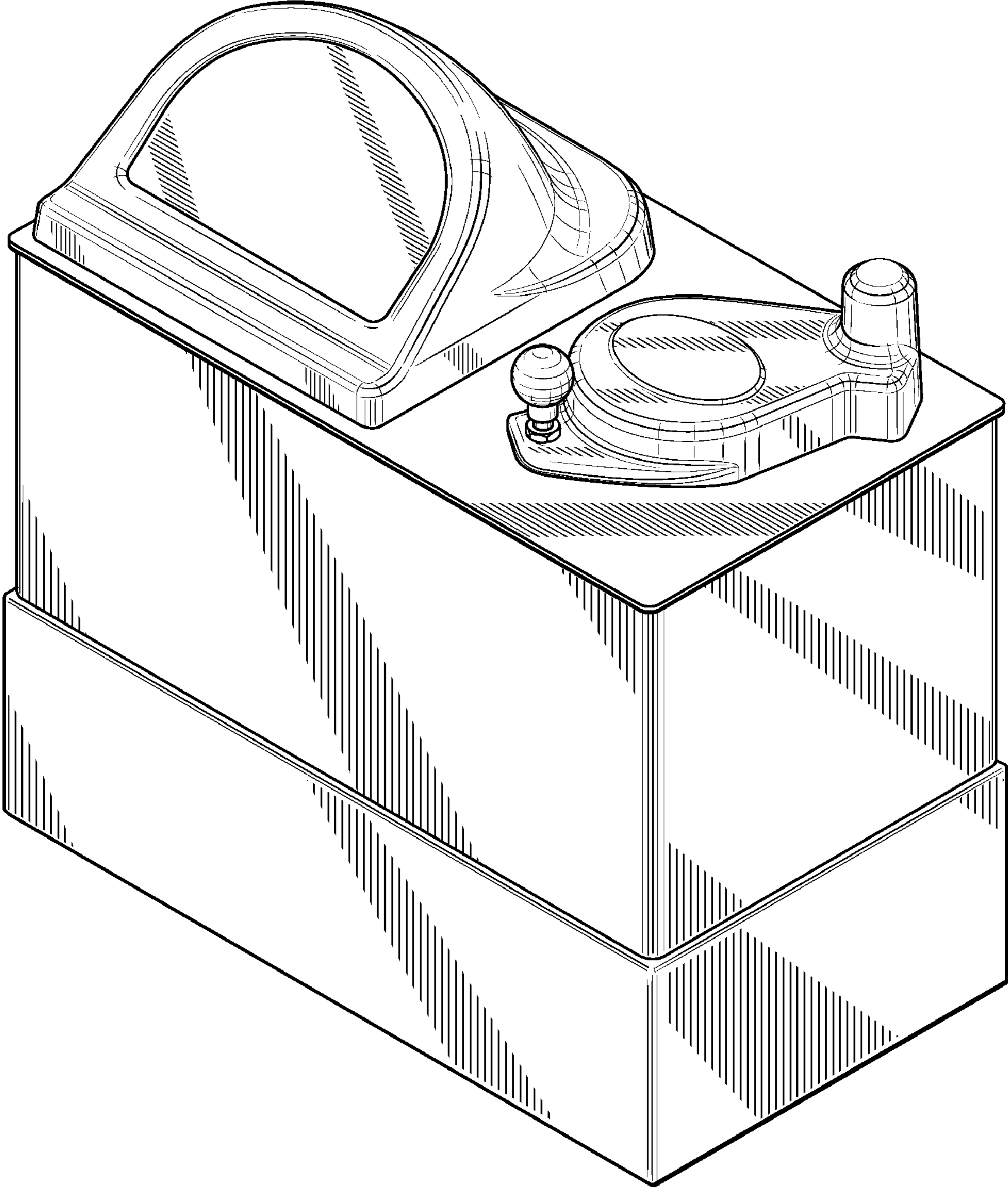


FIG. 2

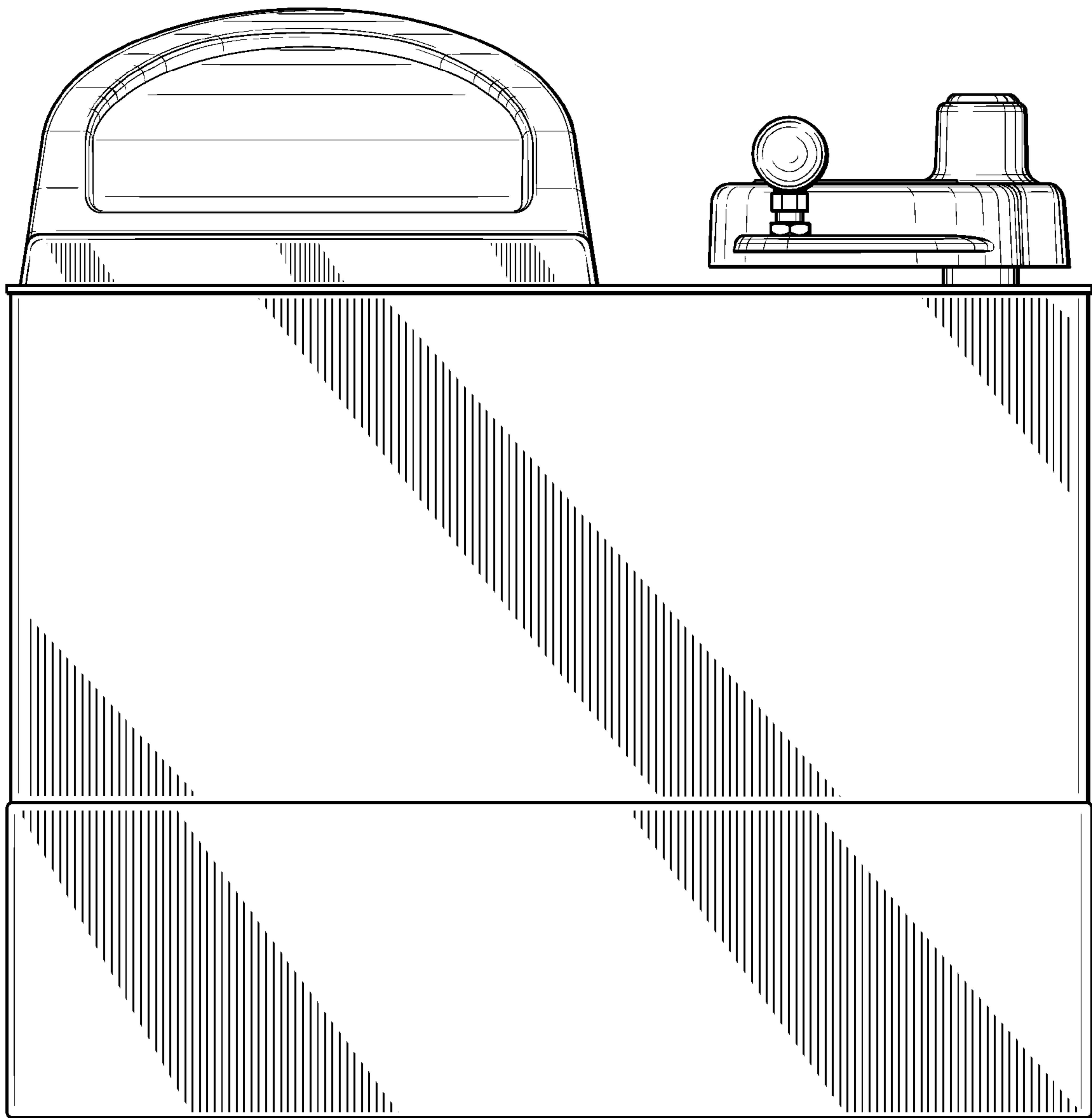


FIG. 3

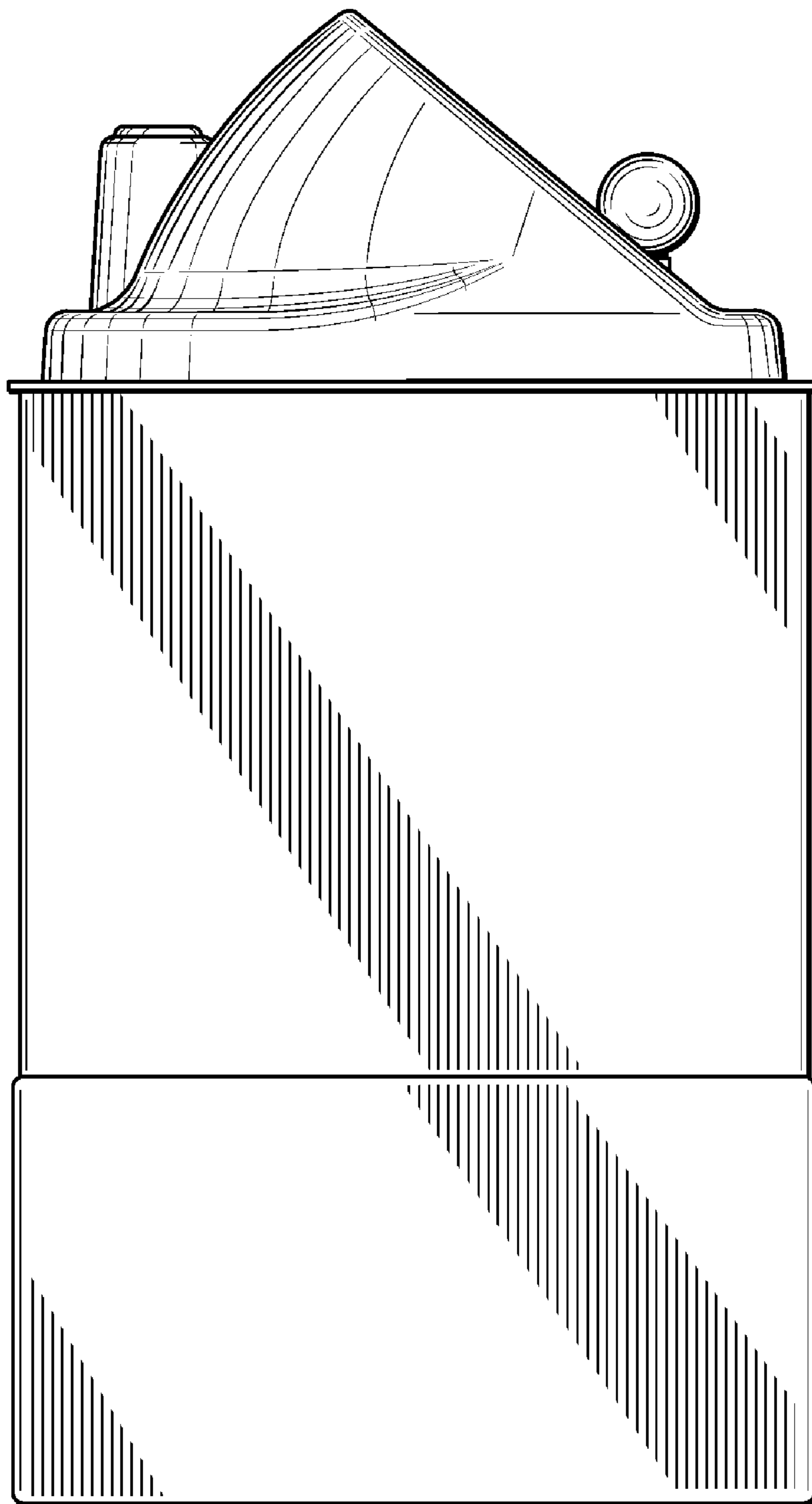


FIG. 4

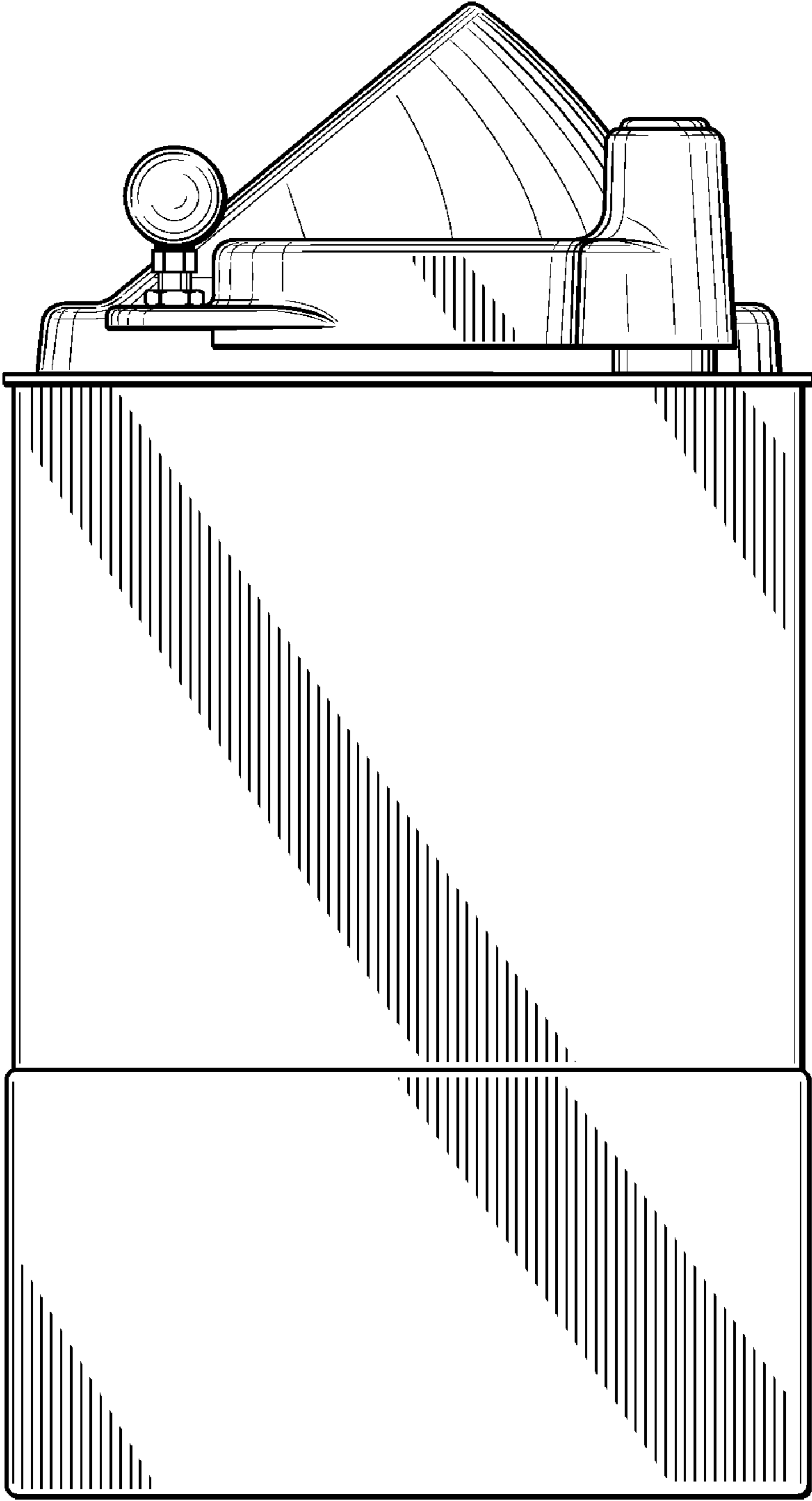


FIG. 5

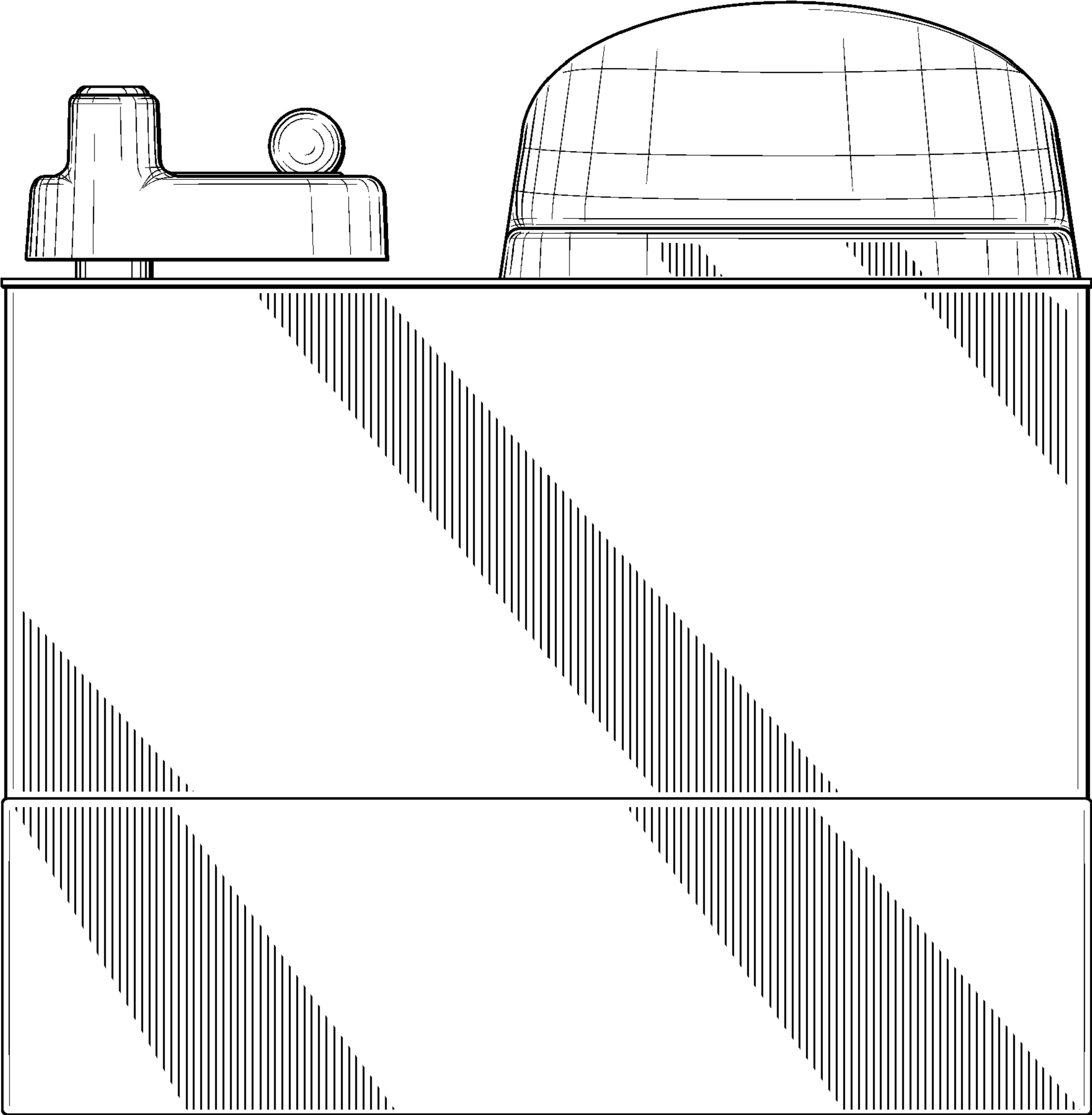


FIG. 6

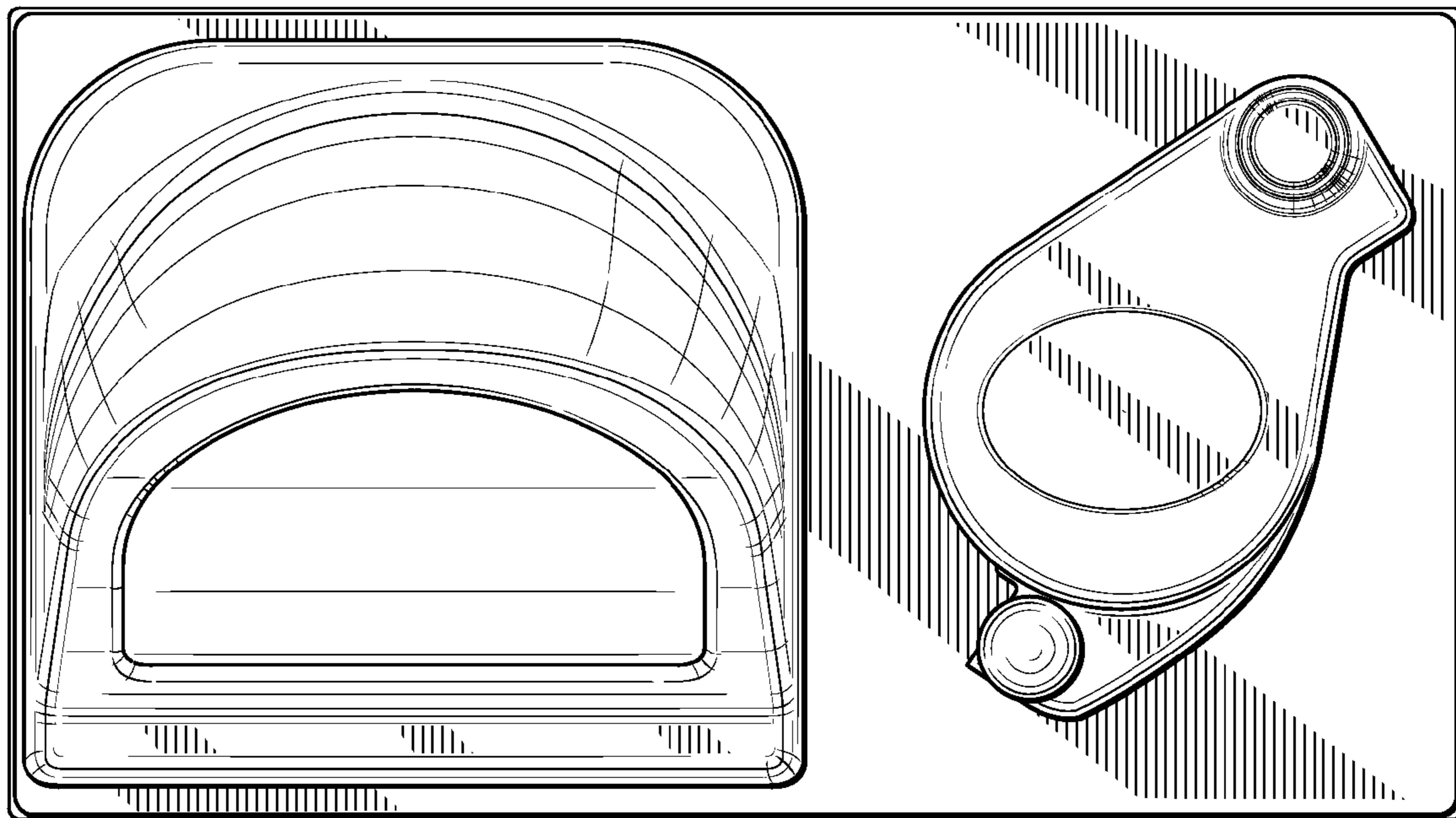


FIG. 7

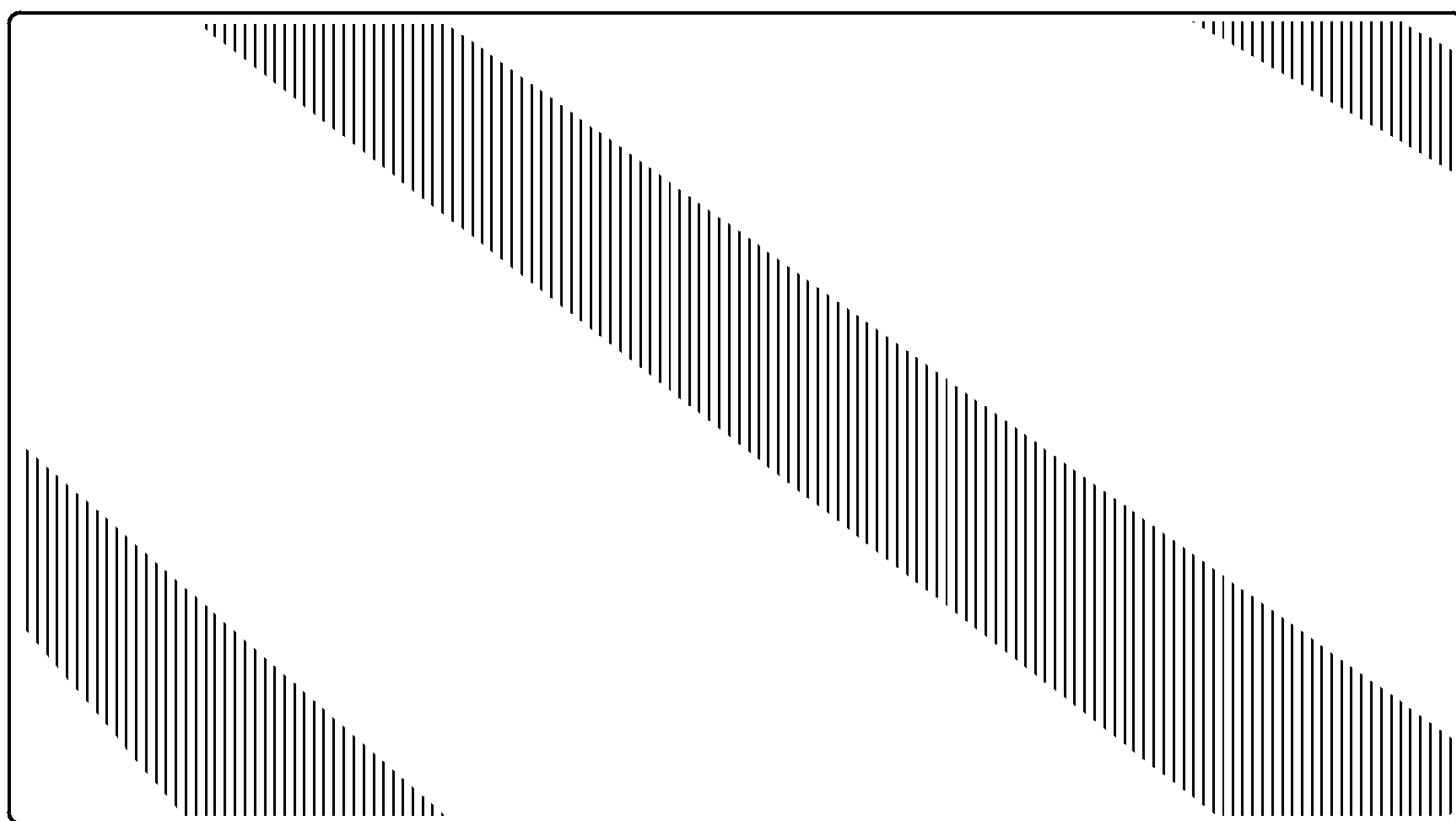


FIG. 8

UNITED STATES PATENT AND TRADEMARK OFFICE
CERTIFICATE OF CORRECTION

PATENT NO. : Des. 611,515 S
APPLICATION NO. : 29/341492
DATED : March 9, 2010
INVENTOR(S) : Christopher R. Chastine et al.

Page 1 of 2

It is certified that error appears in the above-identified patent and that said Letters Patent is hereby corrected as shown below:

Drawings

Substitute Fig. 5 as attached for Fig. 5 as shown in the above-identified patent.

Signed and Sealed this

Twenty-fourth Day of August, 2010

A handwritten signature in black ink that reads "David J. Kappos". The signature is written in a cursive, slightly slanted style.

David J. Kappos
Director of the United States Patent and Trademark Office

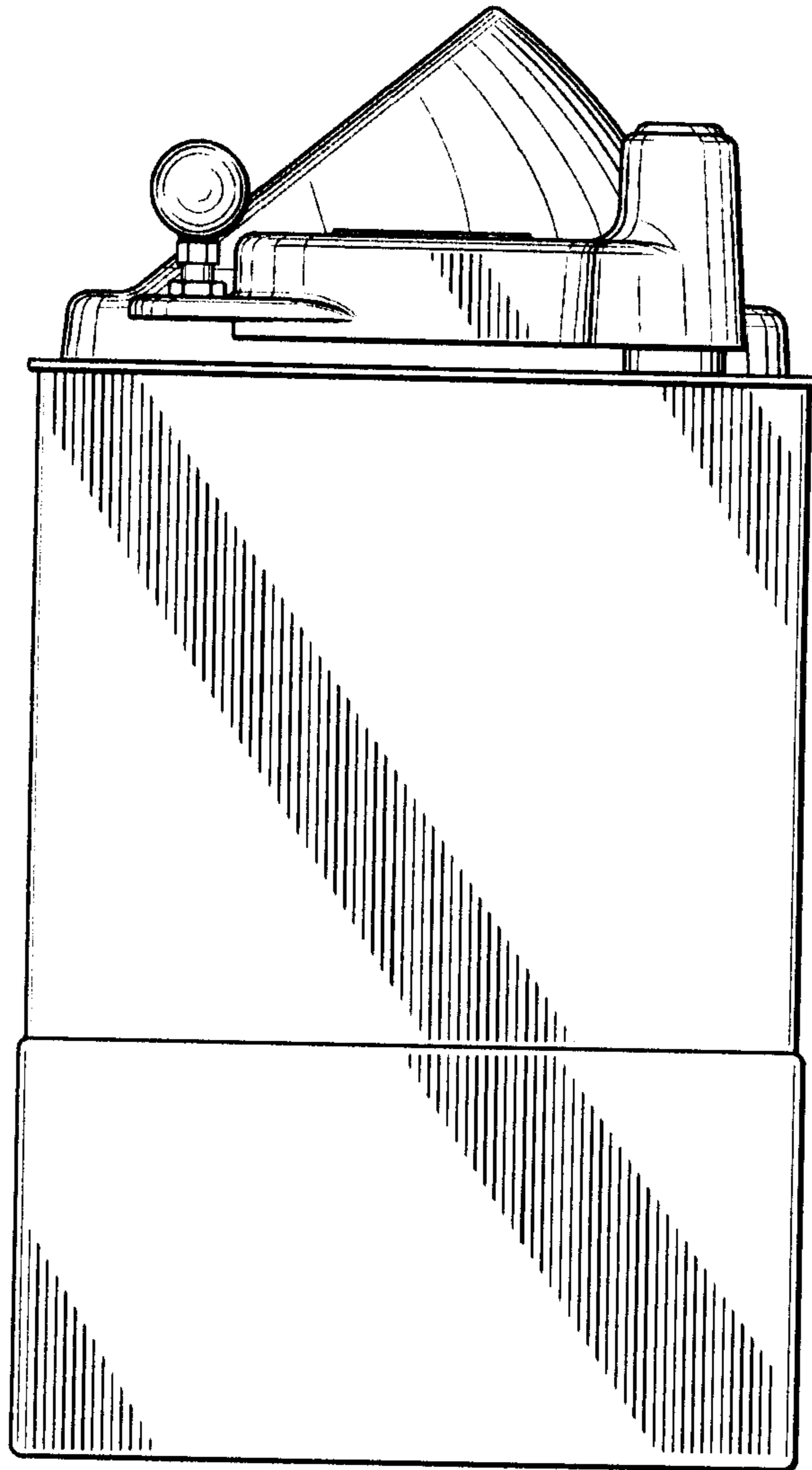


FIG. 5