



US00D611513S

(12) **United States Design Patent**  
**Coburn**

(10) **Patent No.:** **US D611,513 S**  
(45) **Date of Patent:** **\*\* Mar. 9, 2010**

(54) **FILE AND RASP GRIP**

(75) Inventor: **Richard David Blair Coburn**, Ottawa (CA)

(73) Assignee: **Lee Valley Tools, Ltd.**, Ottawa (CA)

(\*\*) Term: **14 Years**

(21) Appl. No.: **29/333,253**

(22) Filed: **Mar. 5, 2009**

**Related U.S. Application Data**

(63) Continuation of application No. 11/252,107, filed on Oct. 17, 2005, now abandoned.

(51) **LOC (9) Cl.** ..... **15-09**

(52) **U.S. Cl.** ..... **D15/140**

(58) **Field of Classification Search** ..... D8/70, D8/71, 72, 94, 107, 394; D15/138, 140, D15/142; 7/119, 163, 164; 30/263, 269, 30/282, 286; 33/41.4, 42, 43, 44

See application file for complete search history.

(56) **References Cited**

**U.S. PATENT DOCUMENTS**

184 A	4/1837	Becksmith
13,381 A	8/1855	Bailey
17,111 A	4/1857	Packard
17,403 A	5/1857	Williams
20,855 A	7/1858	Bailey
23,927 A	5/1859	Tolman
30,071 A	9/1860	Leonard
32,617 A	6/1861	Colton
36,973 A	11/1862	Traut

(Continued)

**FOREIGN PATENT DOCUMENTS**

CA 554421 3/1958

(Continued)

**OTHER PUBLICATIONS**

"#140 Rabbet and Block Plane, 7"L, 1 3/4"W (1 5/8, 1936 on), 1 1/8lbs, 1896-1944", The Superior Works—Patrick's Blood and Gore: Planes #90-#100 <http://www.supertool.com/St StanleyBG/stan12.htm>.

(Continued)

*Primary Examiner*—Sandra Snapp

*Assistant Examiner*—Patricia Palasik

(74) *Attorney, Agent, or Firm*—Kilpatrick Stockton LLP; John S. Pratt; Camilla C. Williams

(57) **CLAIM**

The ornamental design for a file and rasp grip, as shown and described.

**DESCRIPTION**

FIG. 1 is a perspective view of a file and rasp grip, showing my new design.

FIG. 2 is a front elevation view of the file and rasp grip of FIG. 1, the rear elevation view being a mirror image of the front view.

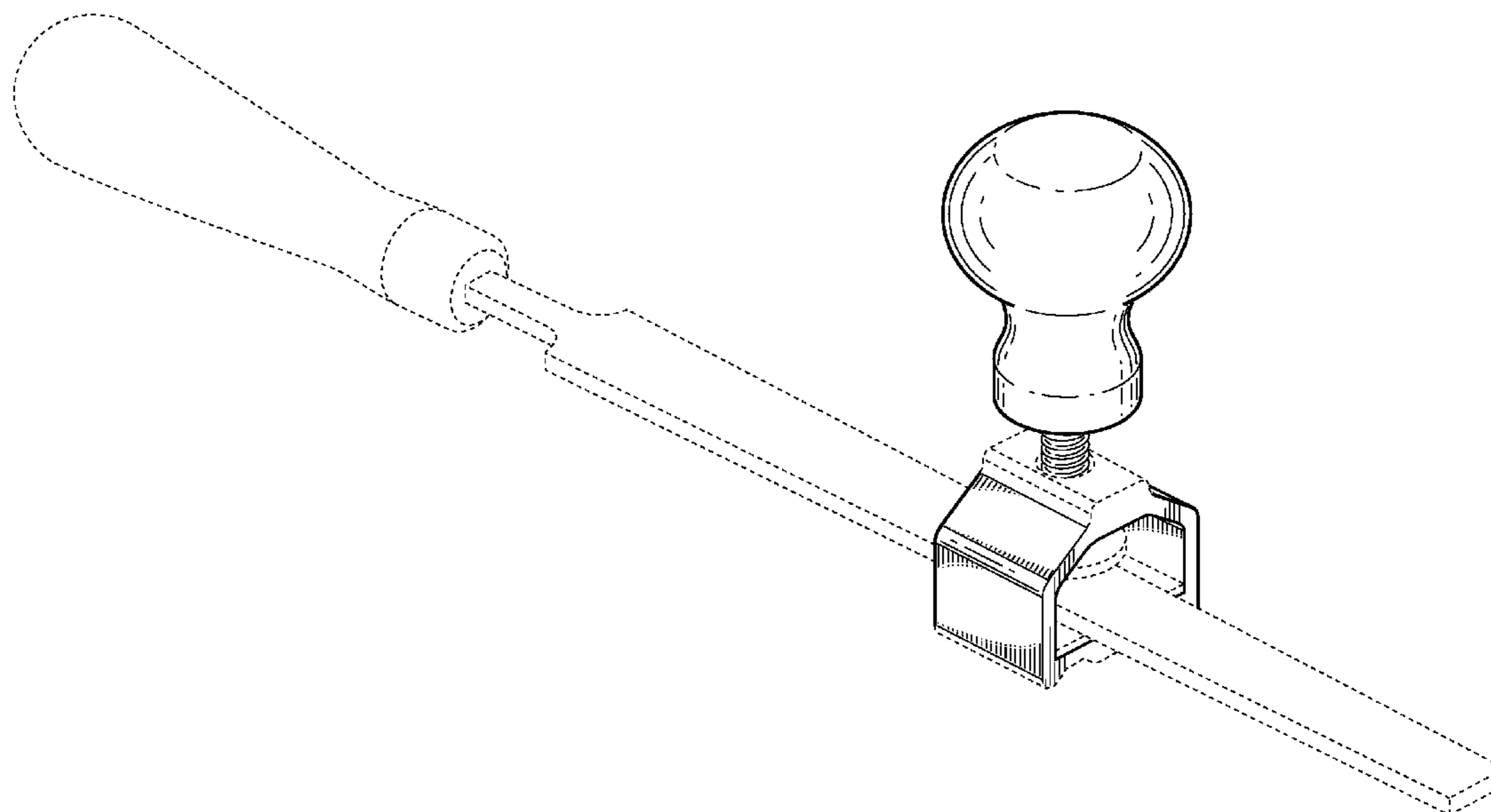
FIG. 3 is a right side elevation view of the file and rasp grip of FIG. 1, the left side elevation view being a mirror image of the right side view.

FIG. 4 is a top plan view of the file and rasp grip of FIG. 1; and,

FIG. 5 is a bottom plan view of the file and rasp grip of FIG. 1.

The broken lines in the drawings form no part of the claimed design.

**1 Claim, 2 Drawing Sheets**



# US D611,513 S

U.S. PATENT DOCUMENTS					
			1,696,584 A	12/1928	Schwer
			1,726,124 A	8/1929	Rodionoff
			1,825,859 A	10/1931	Foy
			1,914,609 A	6/1933	MacAller
			1,929,504 A	10/1933	MacAller
			1,955,395 A	4/1934	Tueth
			D93,763 S	11/1934	Dunn
			D137,230 S	2/1944	Oxhandler
			2,347,570 A	4/1944	Lavietes
			2,358,997 A	9/1944	Pritz
			2,371,946 A	3/1945	Benn
			D141,110 S	5/1945	Doniger
			2,453,126 A	11/1948	Forcier
			D159,339 S	7/1950	Huxtable
			2,550,377 A	4/1951	Pratt
			2,550,766 A	5/1951	Bryant
			2,568,665 A	9/1951	Shaler
			2,570,980 A	10/1951	Powell
			2,645,259 A	7/1953	Ackland
			2,648,363 A	8/1953	Weber
			2,655,721 A	10/1953	Einhorn
			2,682,699 A	7/1954	Merrill
			2,693,029 A	11/1954	Kass
			2,694,260 A	11/1954	Johansson
			2,758,619 A	8/1956	Swanson et al.
			2,839,109 A	6/1958	Wilson et al.
			2,869,599 A	1/1959	Palm
			2,969,097 A	1/1961	Kulbersh et al.
			3,120,250 A	2/1964	Dakin
			D207,503 S	4/1967	Liebow
			3,523,348 A	8/1970	Nilsson
			3,710,467 A	1/1973	Coon et al.
			3,763,531 A	10/1973	Dancsik
			D231,822 S	6/1974	Carter
			3,871,100 A *	3/1975	Hildebrandt ..... 33/42
			3,983,595 A	10/1976	Knudsen et al.
			4,015,649 A	4/1977	Gilbert
			4,027,388 A	6/1977	Fletcher
			D247,545 S	3/1978	Banner
			4,088,165 A	5/1978	Andersson
			4,103,421 A	8/1978	Quenot
			4,240,202 A	12/1980	Gilbert
			D260,235 S *	8/1981	Anderson et al. .... D8/394
			D260,728 S	9/1981	Breger
			4,414,745 A *	11/1983	Kuhlmann et al. .... 30/373
			D271,937 S	12/1983	Combs
			4,472,867 A	9/1984	Wivinis
			D276,272 S *	11/1984	Weissenburger ..... D24/176
			4,492,260 A	1/1985	Whiteford
			4,498,513 A	2/1985	Derivaz
			4,589,209 A	5/1986	Zarges et al.
			4,791,732 A	12/1988	Bruno et al.
			4,799,315 A *	1/1989	Ziegler ..... 30/293
			4,825,676 A	5/1989	Diggins
			4,930,221 A	6/1990	Taylor
			D309,089 S	7/1990	Tsuji
			D313,190 S	12/1990	Economaki
			5,008,551 A	4/1991	Randolph
			5,050,306 A	9/1991	Renaud
			D320,731 S *	10/1991	Pink et al. .... D8/107
			D325,692 S	4/1992	Johnson
			5,111,584 A	5/1992	Lero et al.
			5,136,786 A	8/1992	Calagui
			5,197,195 A	3/1993	Aikens
			D335,803 S	5/1993	Ohsumi
			5,212,870 A	5/1993	Chi
			5,235,751 A *	8/1993	Landgraf ..... 30/169
			5,353,507 A	10/1994	Lee et al.
			5,459,928 A	10/1995	Lynn et al.
			D371,497 S *	7/1996	Cottone ..... D8/72
			5,694,696 A	12/1997	Lee et al.
			D396,179 S	7/1998	Burns
			D399,147 S *	10/1998	Tang et al. .... D10/70
40,437 A	10/1863	Tuells			
41,571 A	2/1864	Cushman			
55,599 A	6/1866	Bailey			
97,833 A	12/1869	Tanner et al.			
135,341 A	1/1873	Jones			
141,475 A	8/1873	Traut			
152,488 A	6/1874	Hawley			
174,879 A	3/1876	Vetterlein			
176,151 A	4/1876	Traut			
234,038 A	11/1880	Johnson			
240,076 A	4/1881	Bauer			
245,093 A	8/1881	Reeder			
257,870 A	5/1882	Humphrey			
272,801 A	2/1883	Tiuppler et al.			
274,600 A	3/1883	Hegglund			
284,777 A	9/1883	Traut			
294,724 A	3/1884	Cope et al.			
296,207 A	4/1884	Mosher et al.			
305,603 A	9/1884	Keiser			
306,877 A	10/1884	Traut			
315,014 A	4/1885	Duncan et al.			
319,161 A	6/1885	Williams et al.			
323,804 A	8/1885	Gage			
326,435 A	9/1885	Kendall et al.			
335,856 A	2/1886	Traut			
352,056 A	11/1886	Hilderbrand			
356,429 A	1/1887	Stearns			
357,898 A	2/1887	Benson			
368,003 A	8/1887	Polhemus			
383,950 A	6/1888	Haynes			
406,392 A	7/1889	Finley			
D22,208 S	2/1893	Schade			
504,003 A	8/1893	Traut			
528,829 A	11/1894	Traut			
555,228 A	2/1896	Traut			
609,681 A	8/1898	Kniffe et al.			
636,830 A	11/1899	Miller			
645,220 A	3/1900	Traut			
D33,589 S	11/1900	Higgins			
668,299 A	2/1901	Traut			
685,411 A	10/1901	Schade et al.			
744,411 A	11/1903	Sarasin			
749,827 A	1/1904	Sjolander			
752,365 A	2/1904	Spear			
779,392 A	1/1905	Bjordal			
781,771 A	2/1905	Gardner			
793,297 A	6/1905	Hesley et al.			
821,525 A	5/1906	Nordquist			
837,978 A	12/1906	Traut			
865,560 A	9/1907	Bartlet et al.			
902,977 A	11/1908	Link			
917,568 A	4/1909	Ekman			
960,256 A	6/1910	Bodmer			
968,508 A	8/1910	Bodmer			
1,012,591 A	12/1911	Bodmer et al.			
1,016,608 A	2/1912	Carretti			
1,026,053 A	5/1912	Saner			
1,090,225 A	3/1914	Page			
1,098,706 A	6/1914	Bodmer			
1,173,164 A *	2/1916	Berkman ..... 407/29.15			
1,221,436 A	4/1917	Gaede			
1,264,350 A	4/1918	Unsinger			
1,332,919 A	3/1920	Ritter			
1,399,631 A	12/1921	Lofdahl et al.			
1,412,888 A	4/1922	Novak			
1,417,857 A	5/1922	Pfeiffer			
1,433,321 A	10/1922	Wigtil et al.			
1,448,775 A	3/1923	Trump			
1,567,342 A	12/1925	Szako			
1,618,604 A	2/1927	Riggs			
1,663,935 A	3/1928	Cornell			



D401,834 S 12/1998 Burn et al.  
 D424,215 S \* 5/2000 Eyring et al. .... D25/122  
 D435,771 S \* 1/2001 Miller ..... D8/73  
 D435,777 S 1/2001 Jones et al.  
 6,167,628 B1 1/2001 Jones et al.  
 6,216,348 B1 4/2001 Martirosian  
 D443,493 S \* 6/2001 Skeem ..... D8/72  
 6,334,259 B1 \* 1/2002 Harvey ..... 33/42  
 6,408,527 B1 6/2002 Chubb  
 D465,396 S 11/2002 Song  
 6,558,091 B2 5/2003 Smith et al.  
 6,615,497 B1 9/2003 Saunders et al.  
 D481,288 S 10/2003 Saunders  
 D497,668 S 10/2004 Bogazzi  
 D499,770 S 12/2004 Siemers  
 D516,404 S 3/2006 Siemers  
 D517,931 S 3/2006 Hyde  
 7,117,602 B2 10/2006 Saunders  
 D534,061 S \* 12/2006 Sakai ..... D8/373  
 D535,540 S 1/2007 Caplan  
 D556,531 S \* 12/2007 Allen et al. .... D8/72  
 D563,190 S 3/2008 Lee et al.  
 D565,385 S 4/2008 Jou  
 D569,220 S 5/2008 McConnell  
 7,370,426 B2 \* 5/2008 Choi ..... 33/42  
 7,377,044 B2 5/2008 Economaki  
 7,444,750 B2 11/2008 Saunders  
 D591,580 S 5/2009 Hyde et al.  
 7,553,216 B2 6/2009 Hyde et al.  
 D595,558 S 7/2009 Saunders  
 D597,815 S 8/2009 Saunders  
 2003/0037446 A1 2/2003 Saunders et al.  
 2004/0068878 A1 4/2004 Lin  
 2004/0074098 A1 4/2004 Schwarz et al.  
 2005/0061398 A1 3/2005 Saunders  
 2005/0229409 A1 10/2005 Lee et al.  
 2005/0252266 A1 11/2005 Perkins  
 2007/0044328 A1 3/2007 Economaki  
 2008/0085164 A1 4/2008 Saunders et al.

FOREIGN PATENT DOCUMENTS

DE 0046033 12/1887  
 DE 20215203 U1 11/2002  
 GB 2280868 2/1995  
 GB 2391828 4/2005  
 SE 149704 12/1951

SE 134377 1/1952

OTHER PUBLICATIONS

“#289 Filletster and Rabbet Plane, 8½”L, 1¾”W (1⅞”W, 1936 on), 3¾lbs, 1911-1948”, The Superior Works—Patrick’s Blood and Gore: Planes #90 -#100 <http://www.supertool.com/St StanleyBG/stan14.htm>.  
 “#78 Duplex Filletster and Rabbet Plane, 8½”L (8¼”, 1936on) 1½”W, 3lbs, 1885-1973”, The Superior Works: Stanley Blood and Gore Planes #71-#87 <http://www.supertool.com/St StanleyBG/stan10.htm>.  
 “12-052-10 Blade Plough Combination Plane”.  
 “1998/1999 Issue of Lee Valley & Veritas(r) Catalog”, copyright 1988 , 26 & 27.  
 “Garret Wade Woodworking Websight”, Woodworking Products Jun. 5, 2007.  
 “Picture of Stanley 112 Cabinet Scraper Plane”, <http://www.goantiques.com/scripts/images,id,823461.html>.  
 “Pictures of No. 5 Windsor Beader”.  
 “Screwdrivers”, Lie-Nielsen Toolworks USA; <http://www.lie-nielsen.com/catalog.php?sku=SCR 1995>.  
 “Shop Solutions, Scraper Holder”, Shopnotes, Issue 3 , 26.  
 “Small Router Plane”, Lie-Nielsen Toolworks Inc., <http://www.lie-nielsen.com/catalog.php?sku=271 1995>.  
 “Spoon Shave”, <http://www.woodcraft.com/images/family/web4867big.jpg> Jun. 28, 2006.  
 “VarvillSkew Mouth Rabbet Plane”, Old Tools.co.uk and Collectables,<http://oldtools.co.uk/tools/planes/scrappers/wooden.planes/wooden.plane.p1814.php>.  
 “Veritas Small Plow Plane”, Lee Valey and Veritas <http://www.leevalley.com/wood/page.aspx?c=57678&cat=1,41182>.  
 Cohen, Derek “The Lee Valley Router Plane”, Old Tools Shop, [www.OldToolsShop.com](http://www.OldToolsShop.com) Jan. 12, 2006.  
 Frampton, Alice “Wheel Marking Gauges Review”, Woodworking Magazine, WoodCentral (2005); [http://www.woodcentral.com/cgi-bin/readarticle.pl?dir=reviews&file=articles\\_734.shtml](http://www.woodcentral.com/cgi-bin/readarticle.pl?dir=reviews&file=articles_734.shtml) Nov. 29, 2006.  
 Item Numbered U, “Highland Hardware Catalog titled Woodworking Tools, Books & Supplies”, Fall 91/Winter 92 Catalog , 83.  
 Leonard, Lee “The Complete Guide to Sharpening, A Fine Woodworking Book”, , 229-233.  
 Southerland, Jay No. 71 Router type study(online) Mar. 2003.  
 Walter, John “Antique & Collectible Stanley Tools Guide to Identity and Value”, #112 Cabinet Scraper Plane, The Tool Merchant, Marietta, Ohio Sep. 1996.

\* cited by examiner

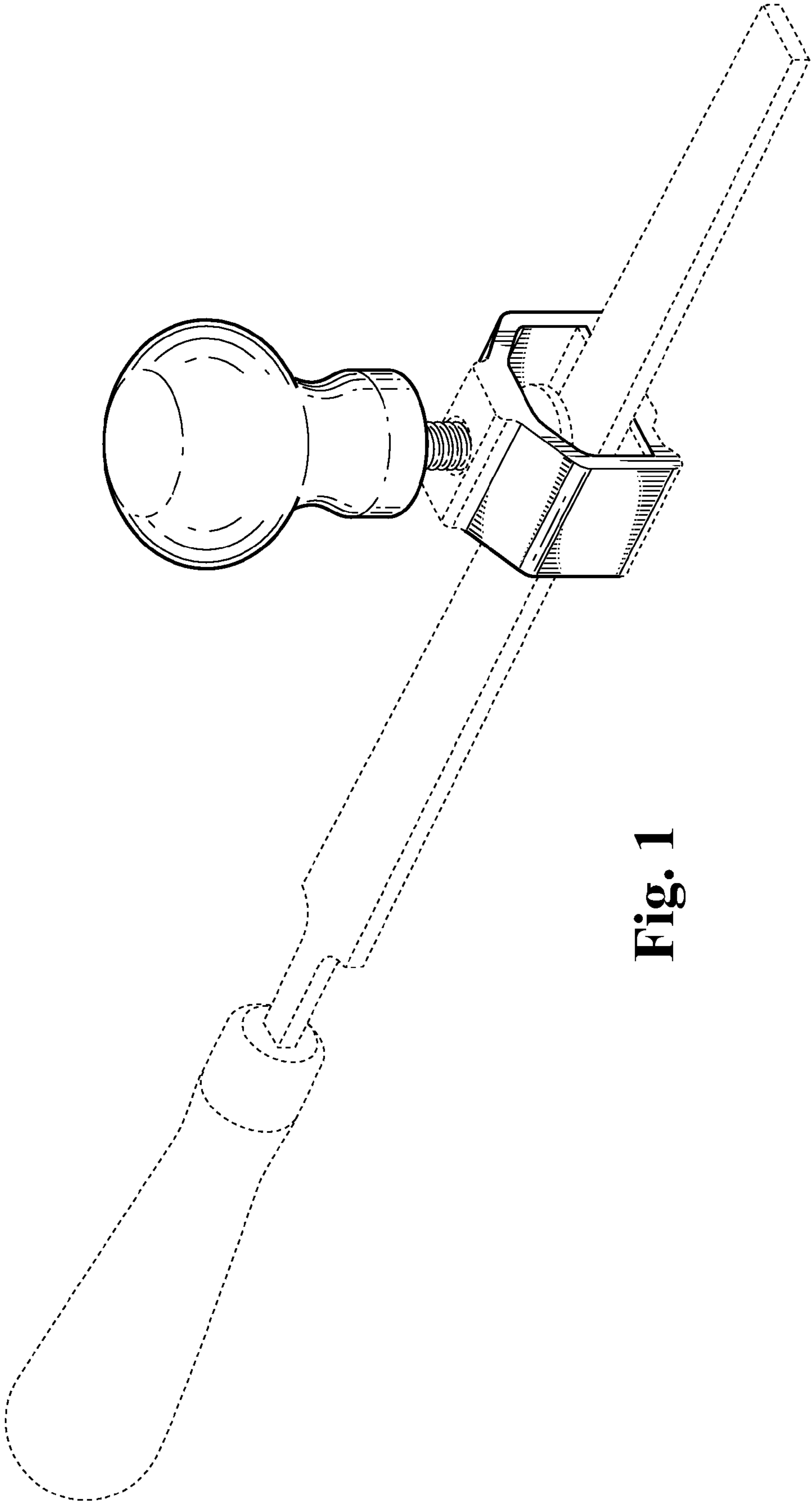
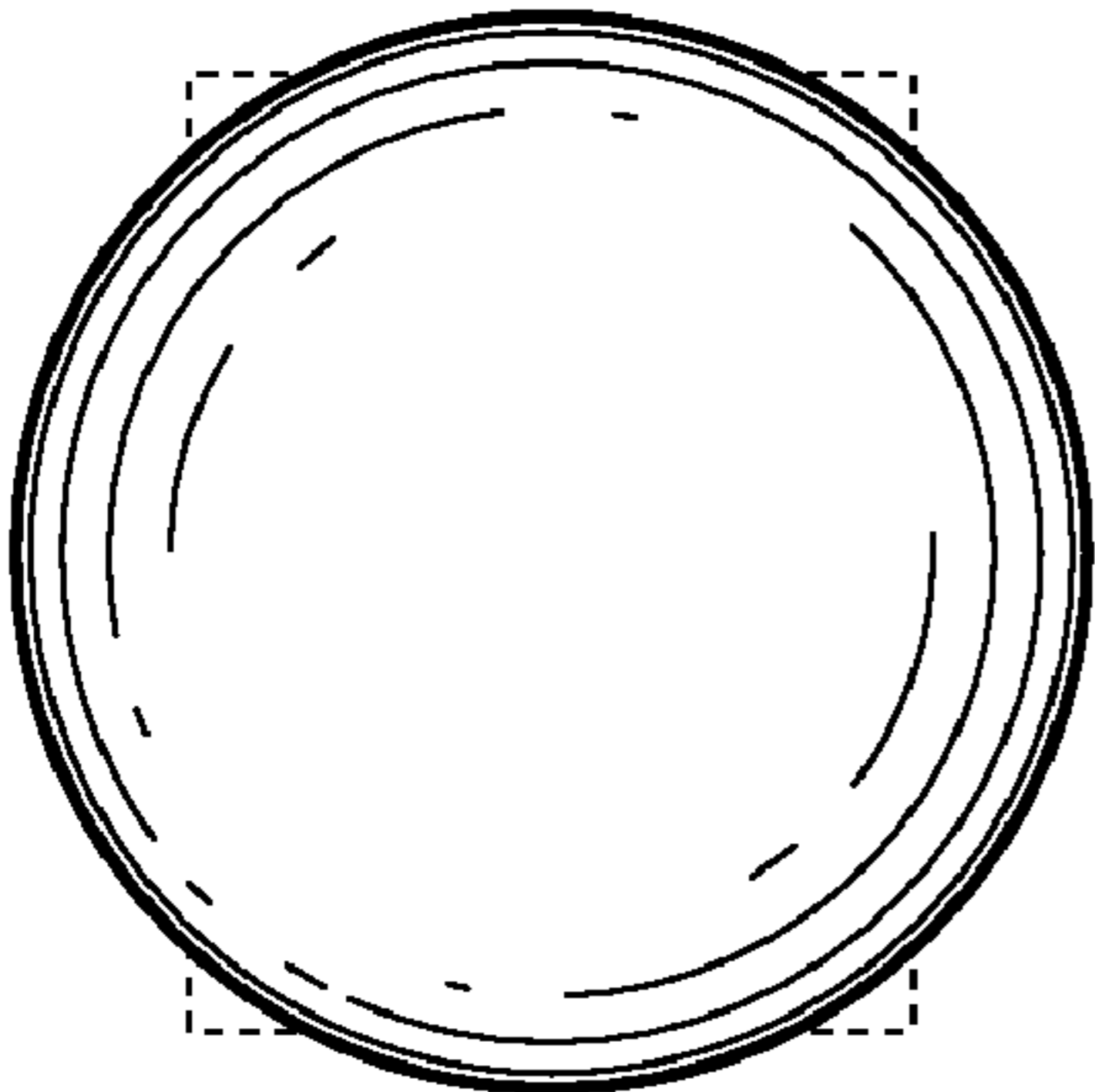
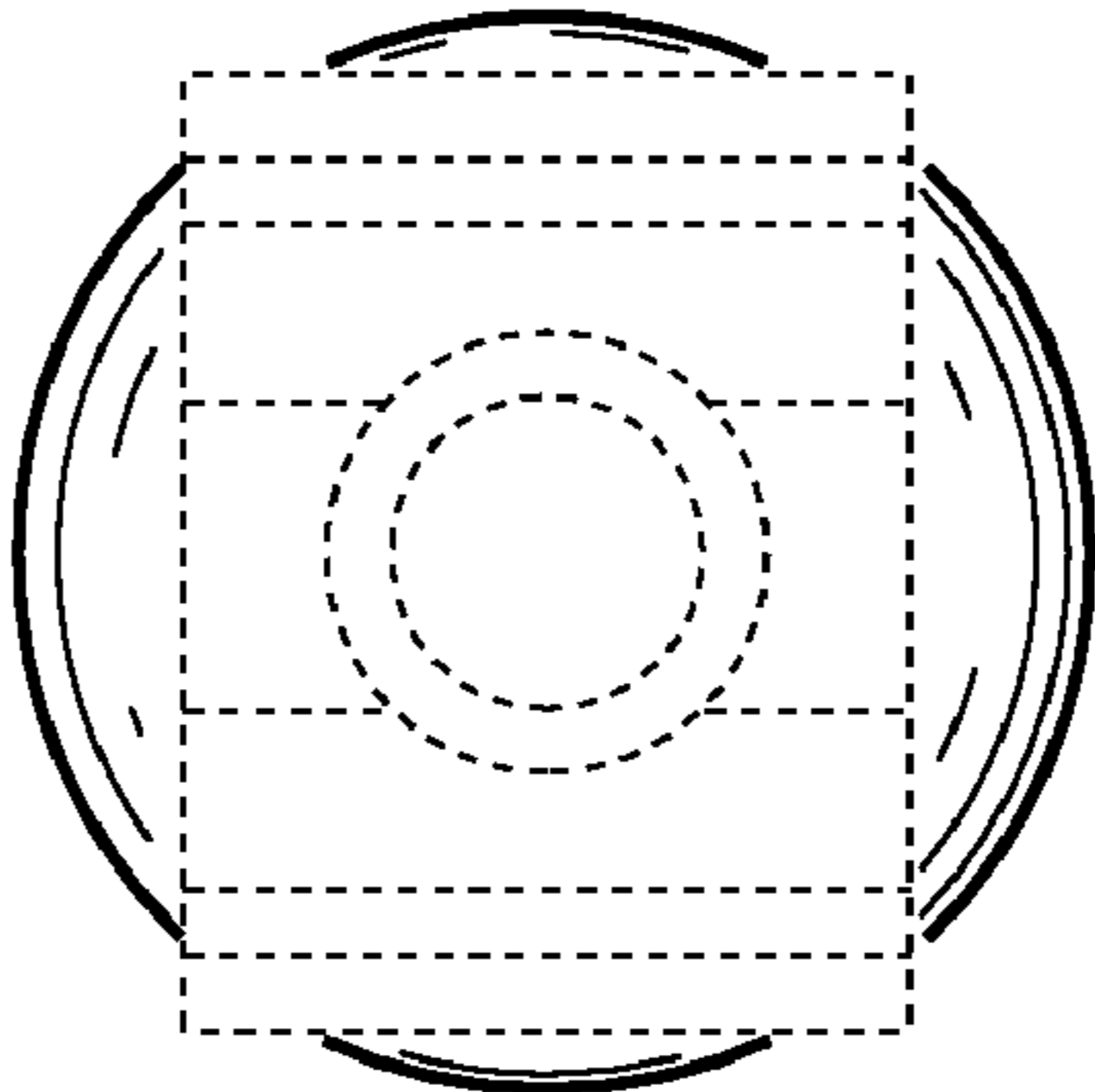


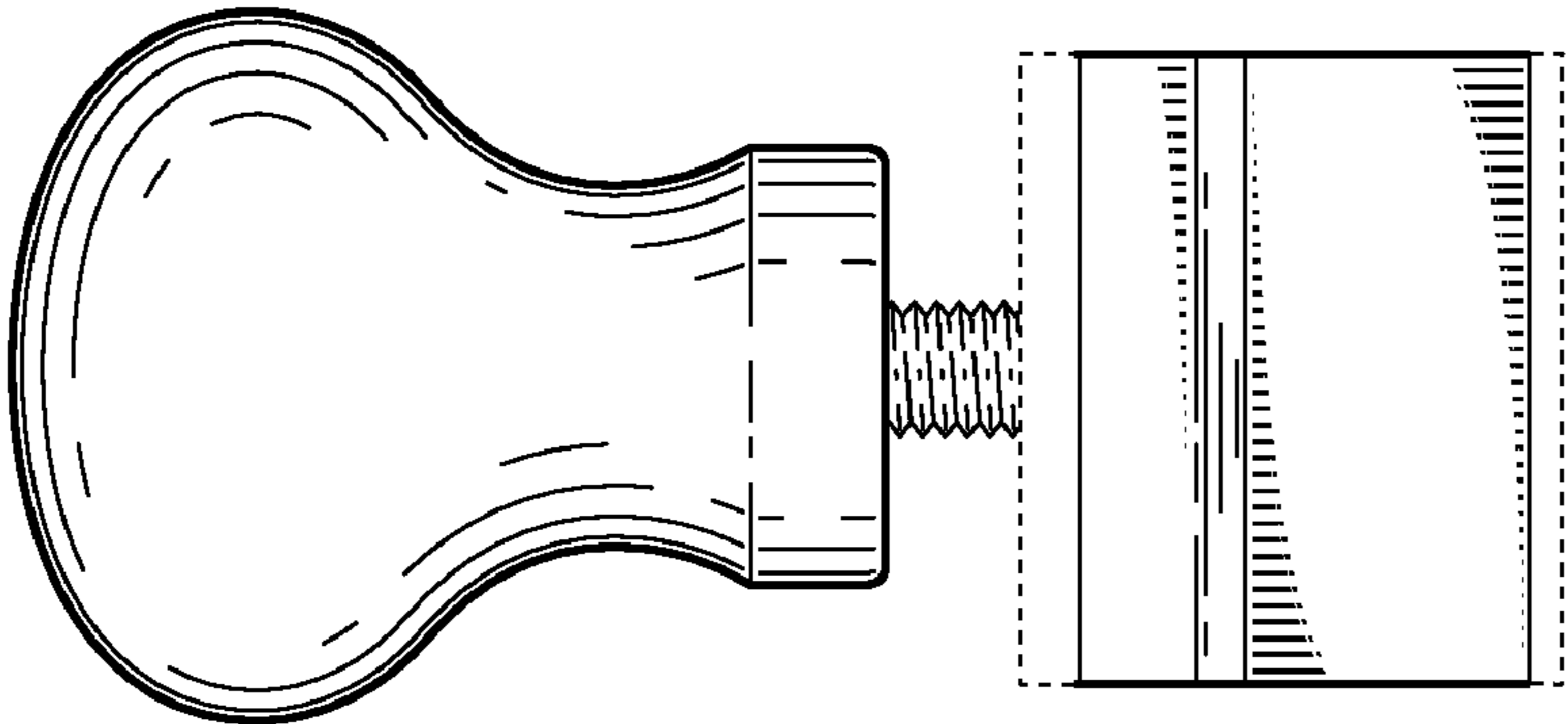
Fig. 1



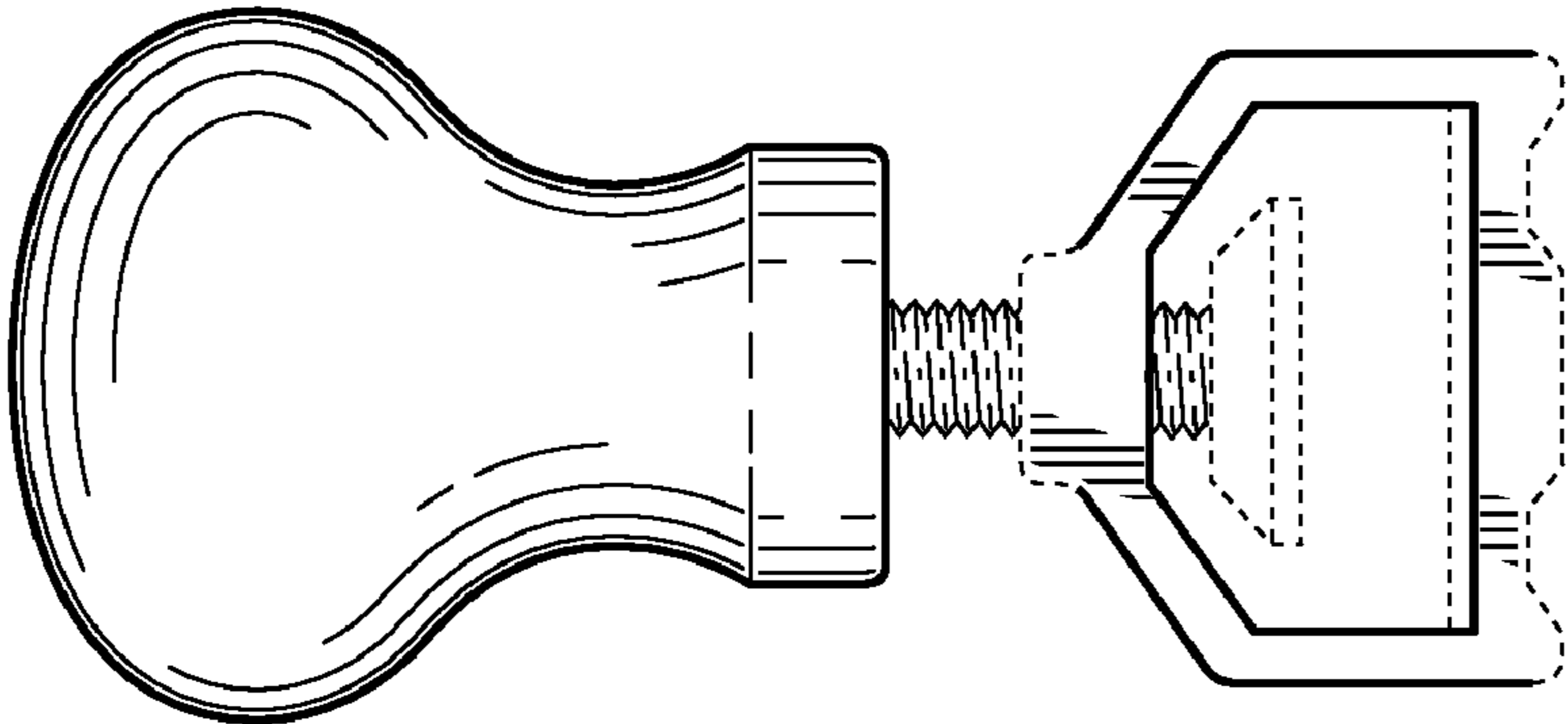
**Fig. 4**



**Fig. 5**



**Fig. 3**



**Fig. 2**