



US00D611511S

(12) **United States Design Patent**
Anitua Aldecoa

(10) **Patent No.:** **US D611,511 S**
(45) **Date of Patent:** **** Mar. 9, 2010**

(54) **RIDGE EXPANDER DRILL**

(75) Inventor: **Eduardo Anitua Aldecoa**, Vitoria (ES)

(73) Assignee: **BTI, I+D, S.L.**, Victoria (ES)

(**) Term: **14 Years**

(21) Appl. No.: **29/266,486**

(22) Filed: **Sep. 22, 2006**

(30) **Foreign Application Priority Data**

Mar. 22, 2006 (ES) 503026

(51) **LOC (9) Cl.** **15-09**

(52) **U.S. Cl.** **D15/139; D24/156**

(58) **Field of Classification Search** D15/138,
D15/139, 140; D24/107, 155, 156; 433/141,
433/165, 173, 174, 176

See application file for complete search history.

(56) **References Cited**

U.S. PATENT DOCUMENTS

4,612,920	A *	9/1986	Lower	606/66
D296,362	S *	6/1988	Branemark	D24/156
D330,767	S *	11/1992	Jorneus	D24/156
5,259,398	A *	11/1993	Vrespa	128/898
D374,079	S *	9/1996	Broberg	D24/156
5,553,676	A *	9/1996	Self et al.	175/19
5,795,160	A *	8/1998	Hahn et al.	433/174
5,997,298	A *	12/1999	Nowak	433/165

(Continued)

Primary Examiner—Sandra Snapp

Assistant Examiner—Patricia Palasik

(74) *Attorney, Agent, or Firm*—Browdy & Neimark, PLLC

(57) **CLAIM**

The ornamental design for a ridge expander drill, as shown and described.

DESCRIPTION

FIG. 1 is a first perspective view of a first embodiment of a ridge expander drill according to my design;

FIG. 2 is a second perspective view thereof;

FIG. 3 is an elevation view thereof;

FIG. 4 is a top plan view thereof; and

FIG. 5 is a bottom plan view thereof.

FIG. 6 is a first perspective view of a second embodiment of a ridge expander drill according to my design;

FIG. 7 is a second perspective view thereof;

FIG. 8 is an elevation view thereof;

FIG. 9 is a top plan view thereof; and

FIG. 10 is a bottom plan view thereof.

FIG. 11 is a first perspective view of a third embodiment of a ridge expander drill according to my design;

FIG. 12 is a second perspective view thereof;

FIG. 13 is an elevation view thereof;

FIG. 14 is a top plan view thereof; and

FIG. 15 is a bottom plan view thereof.

FIG. 16 is a first perspective view of a fourth embodiment of a ridge expander drill according to my design;

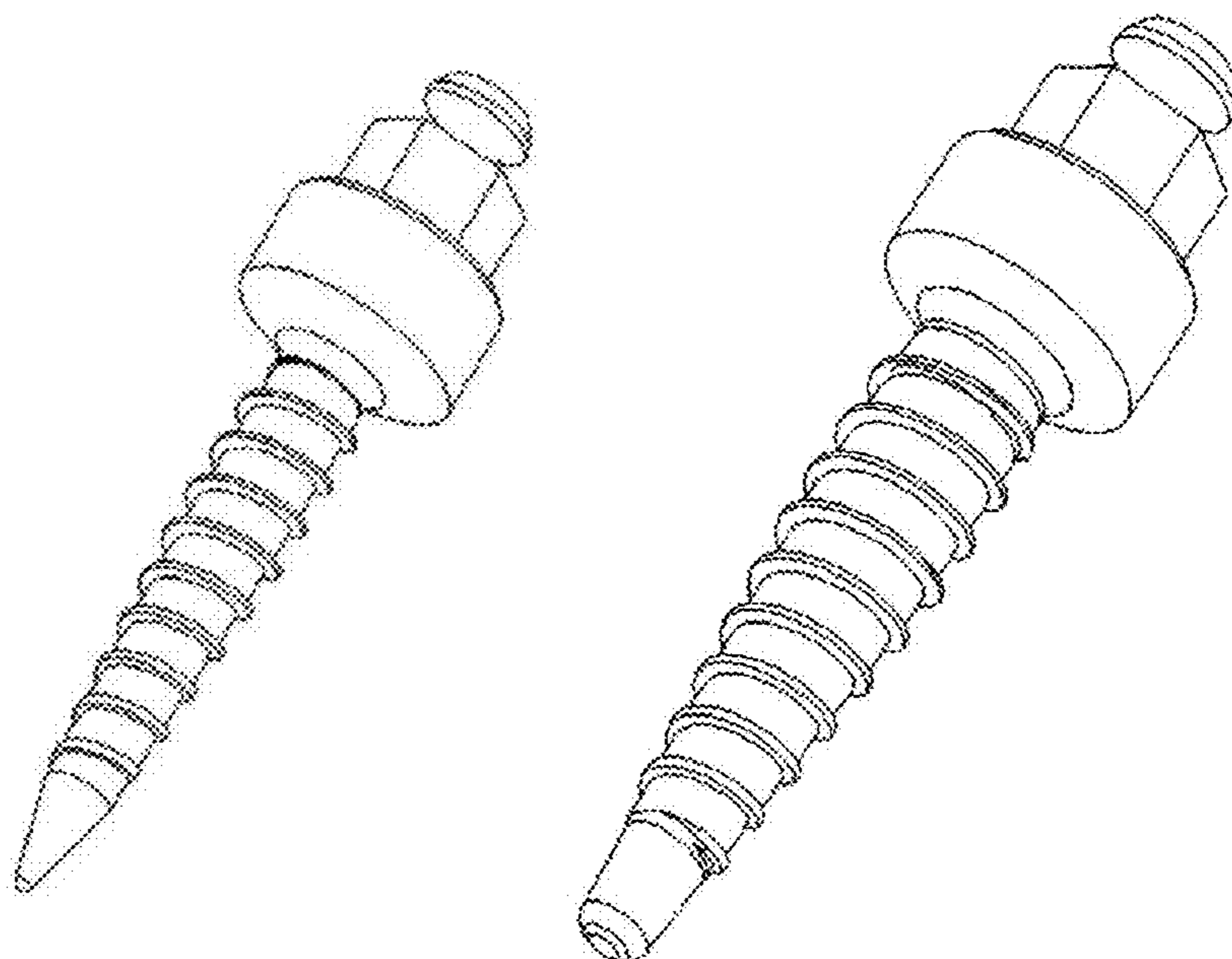
FIG. 17 is a second perspective view thereof;

FIG. 18 is an elevation view thereof;

FIG. 19 is a top plan view thereof; and,

FIG. 20 is a bottom plan view thereof.

1 Claim, 4 Drawing Sheets



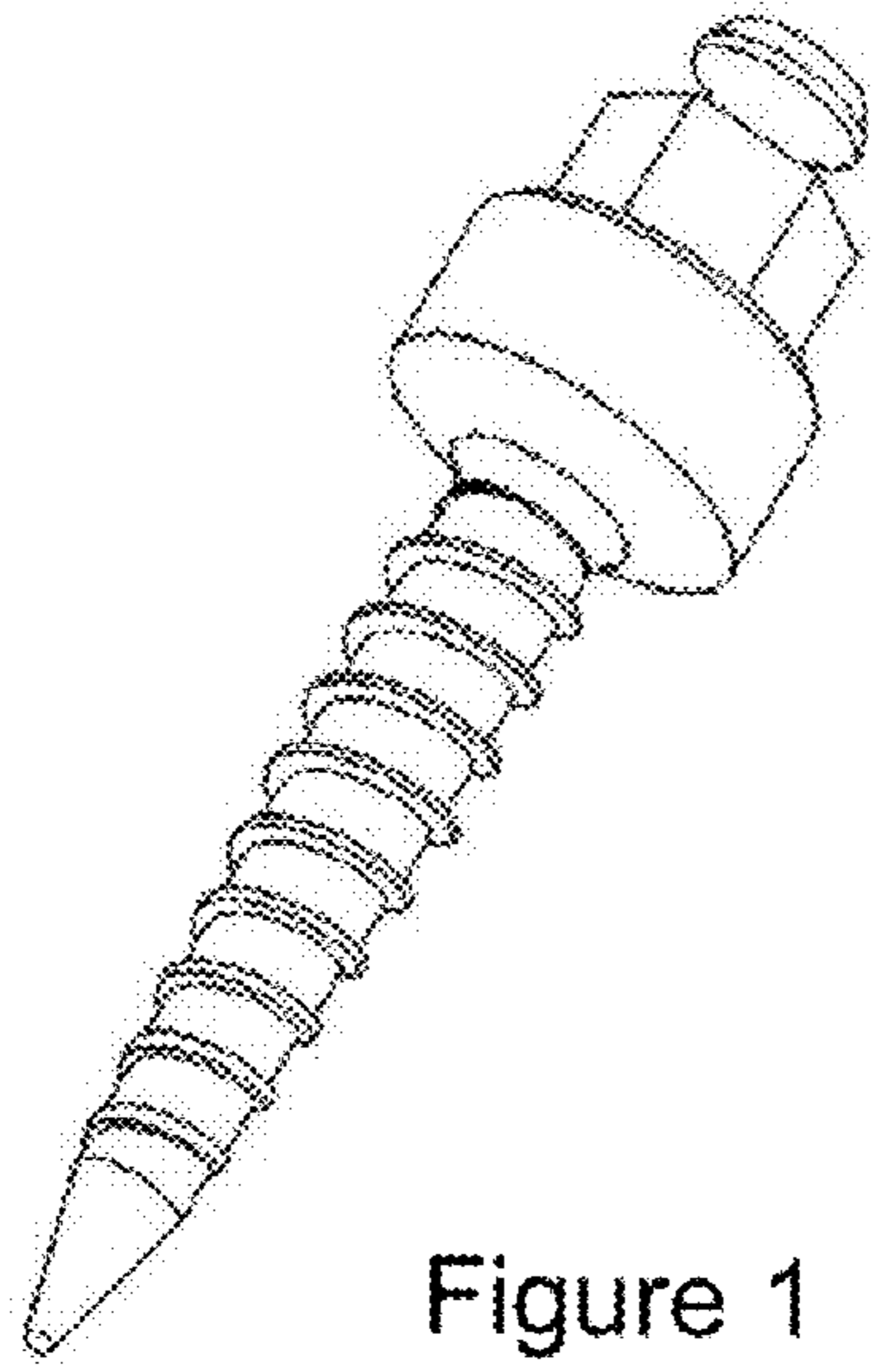


Figure 1

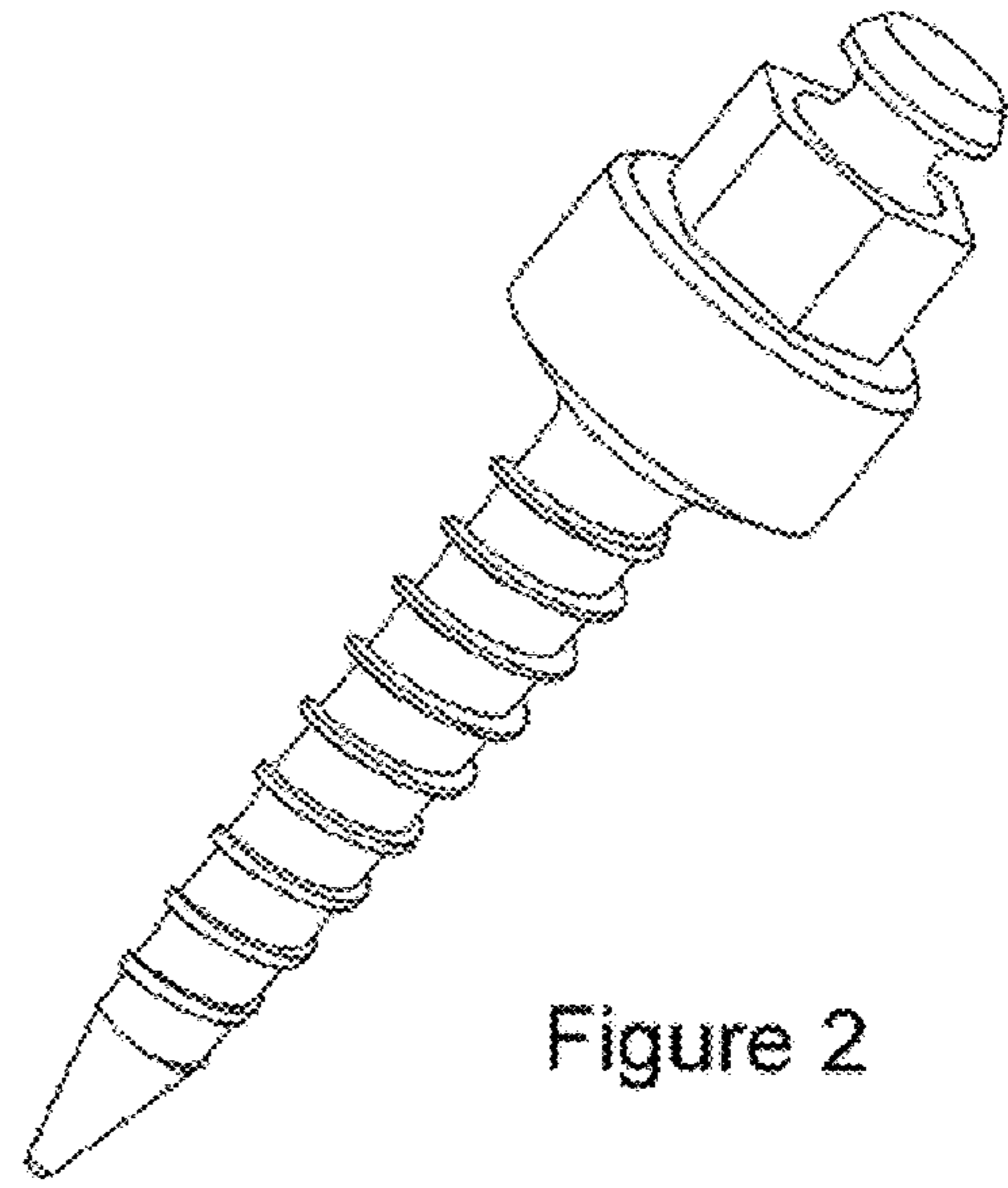


Figure 2

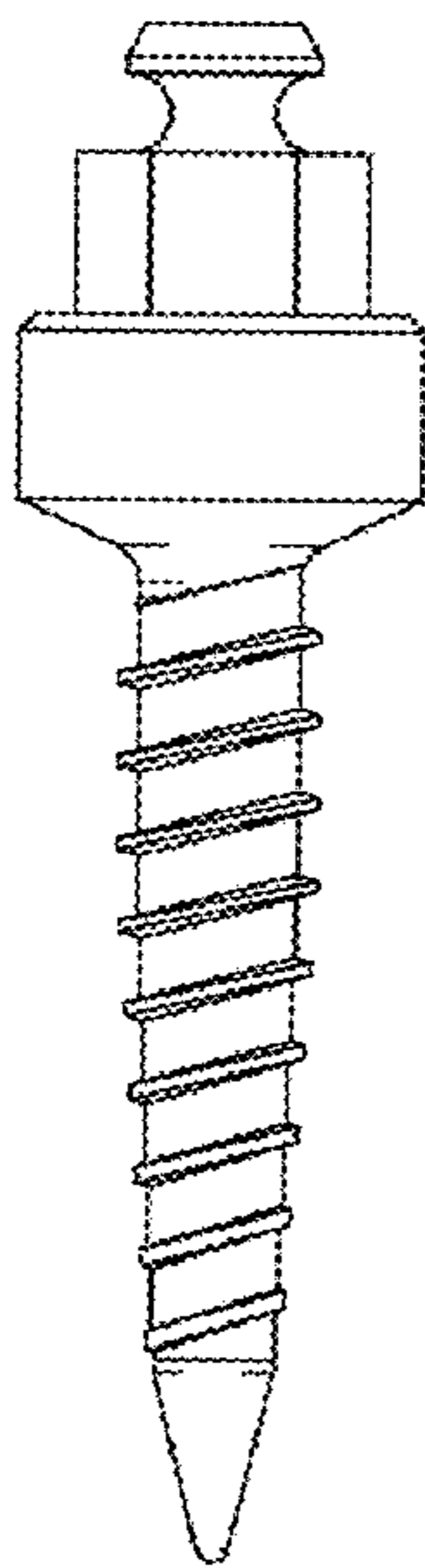


Figure 3

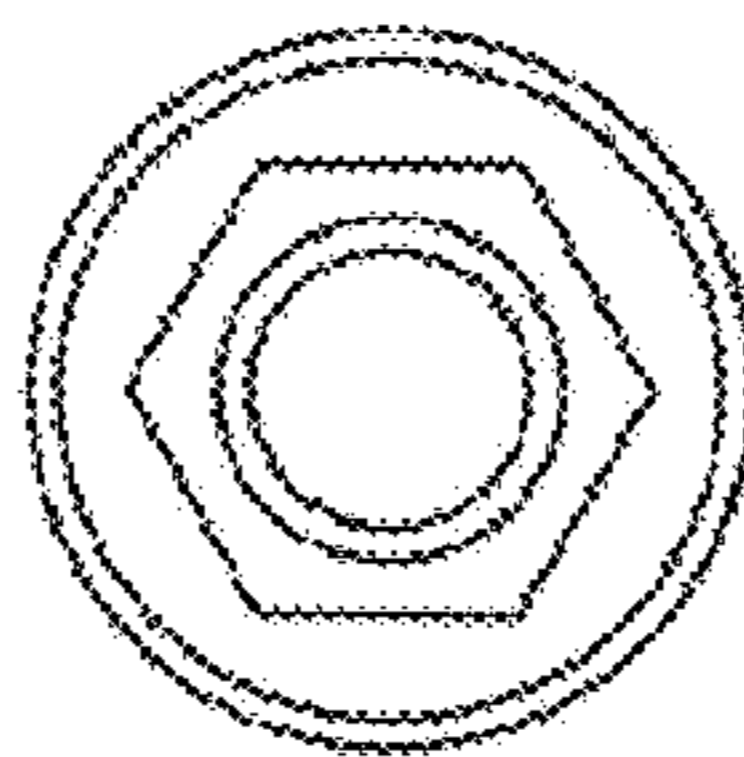


Figure 4

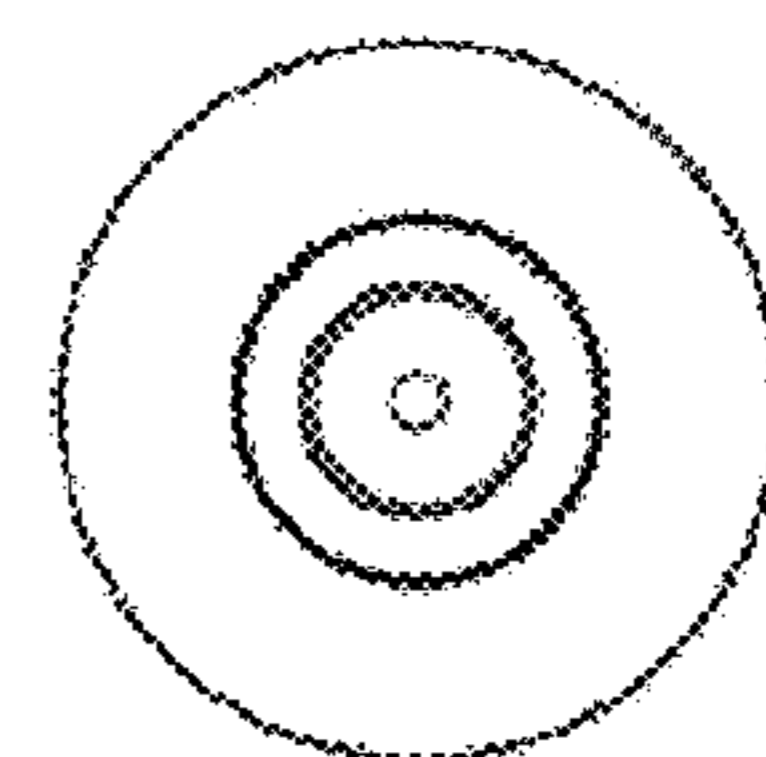


Figure 5

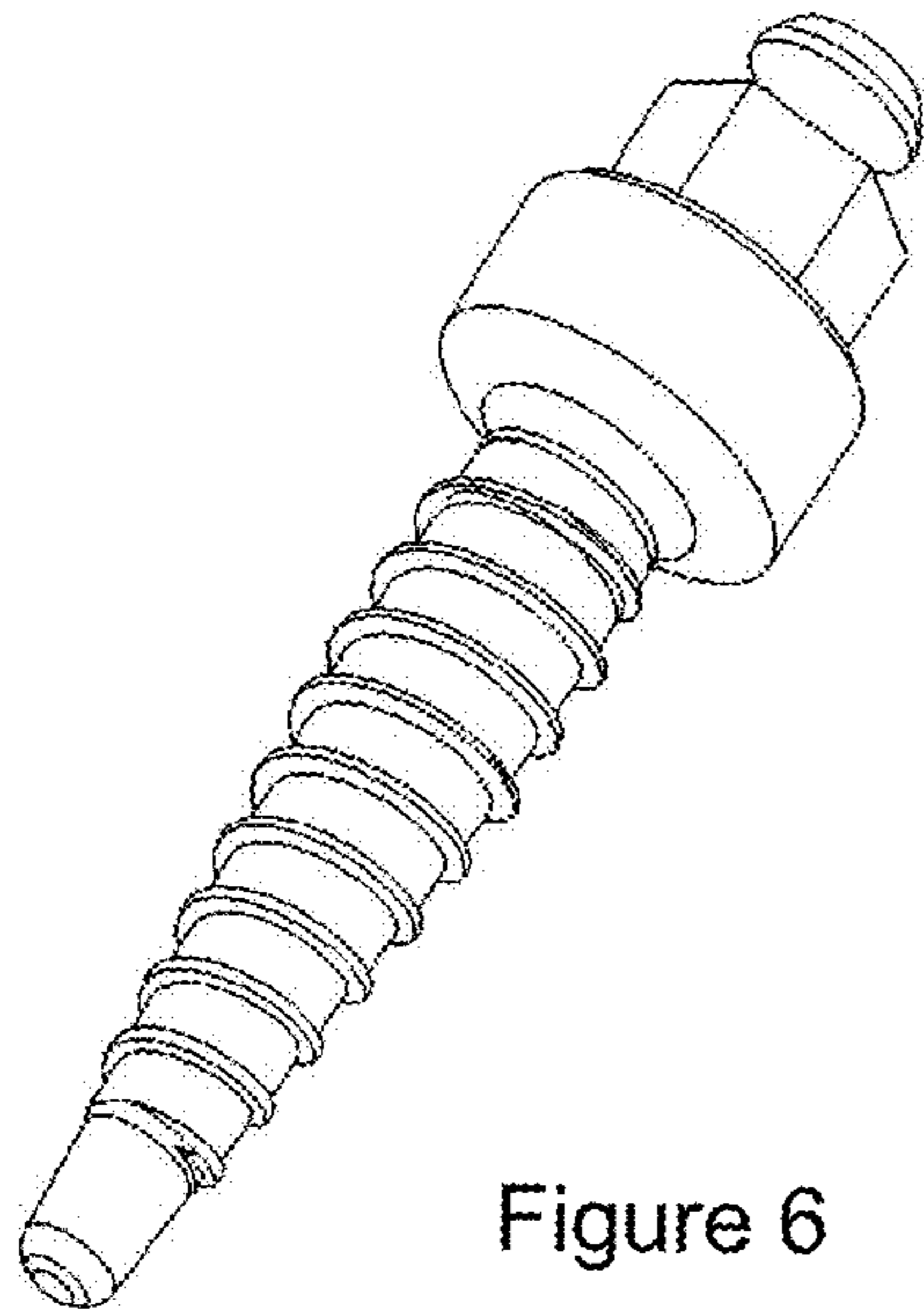


Figure 6

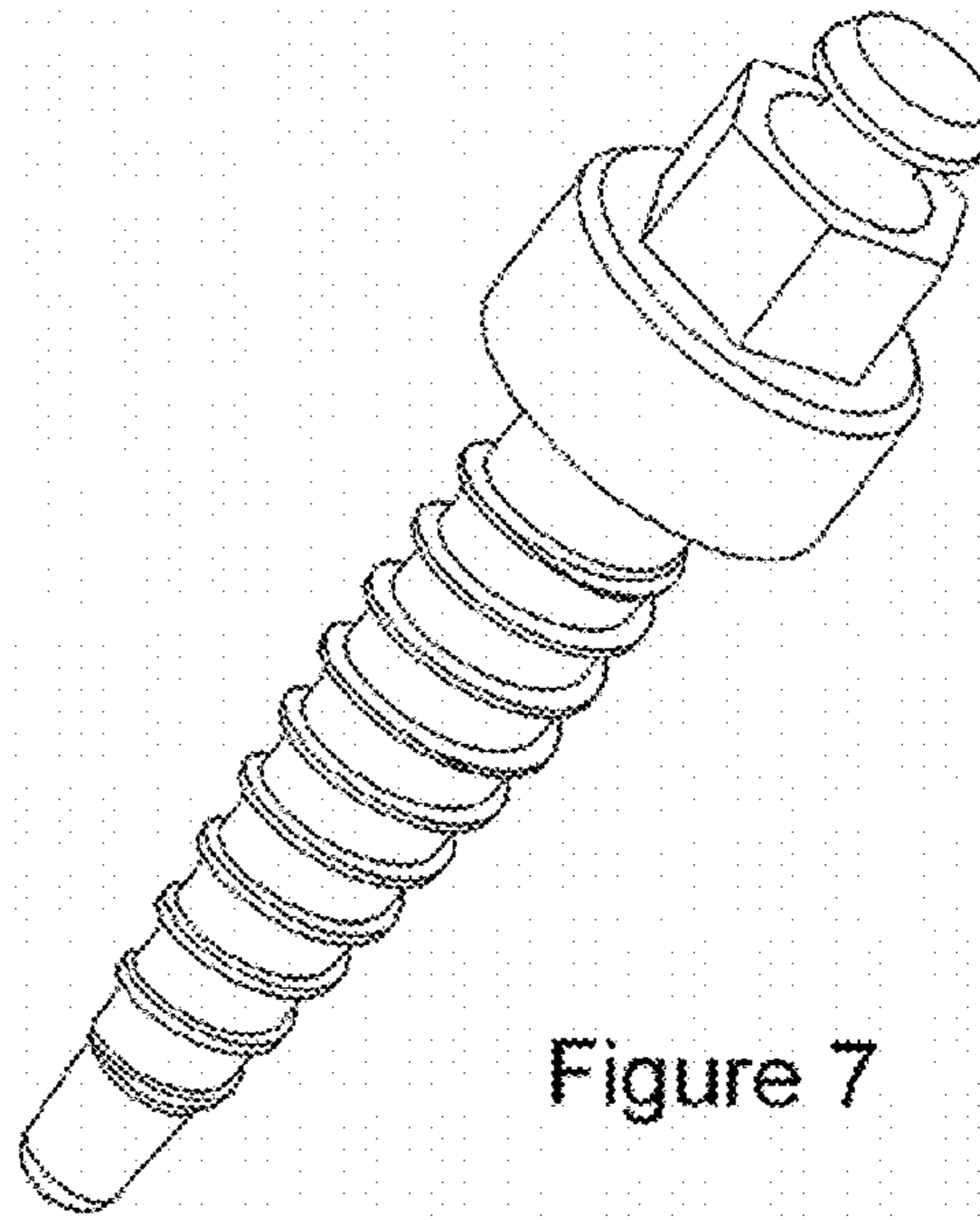


Figure 7

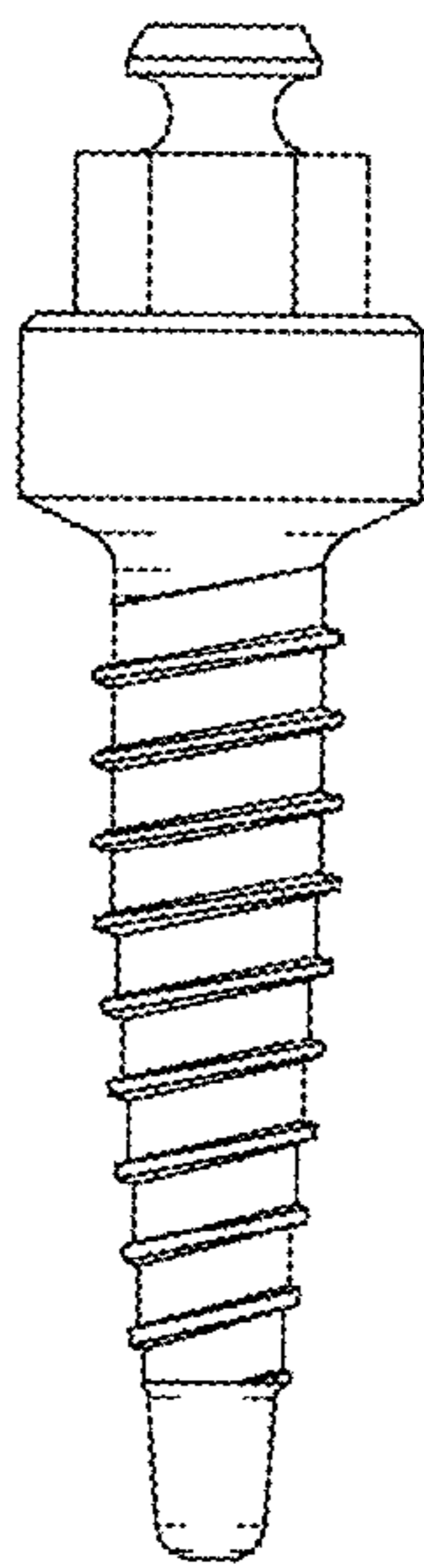


Figure 8

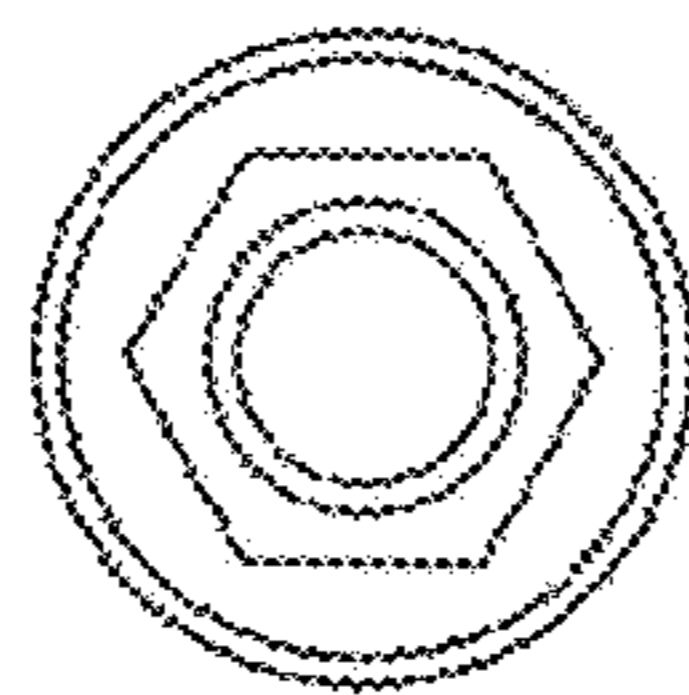


Figure 9

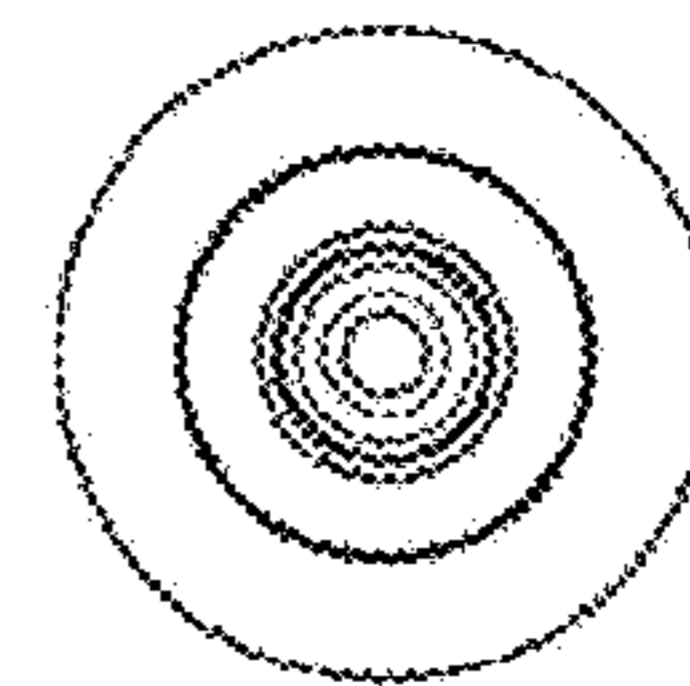


Figure 10

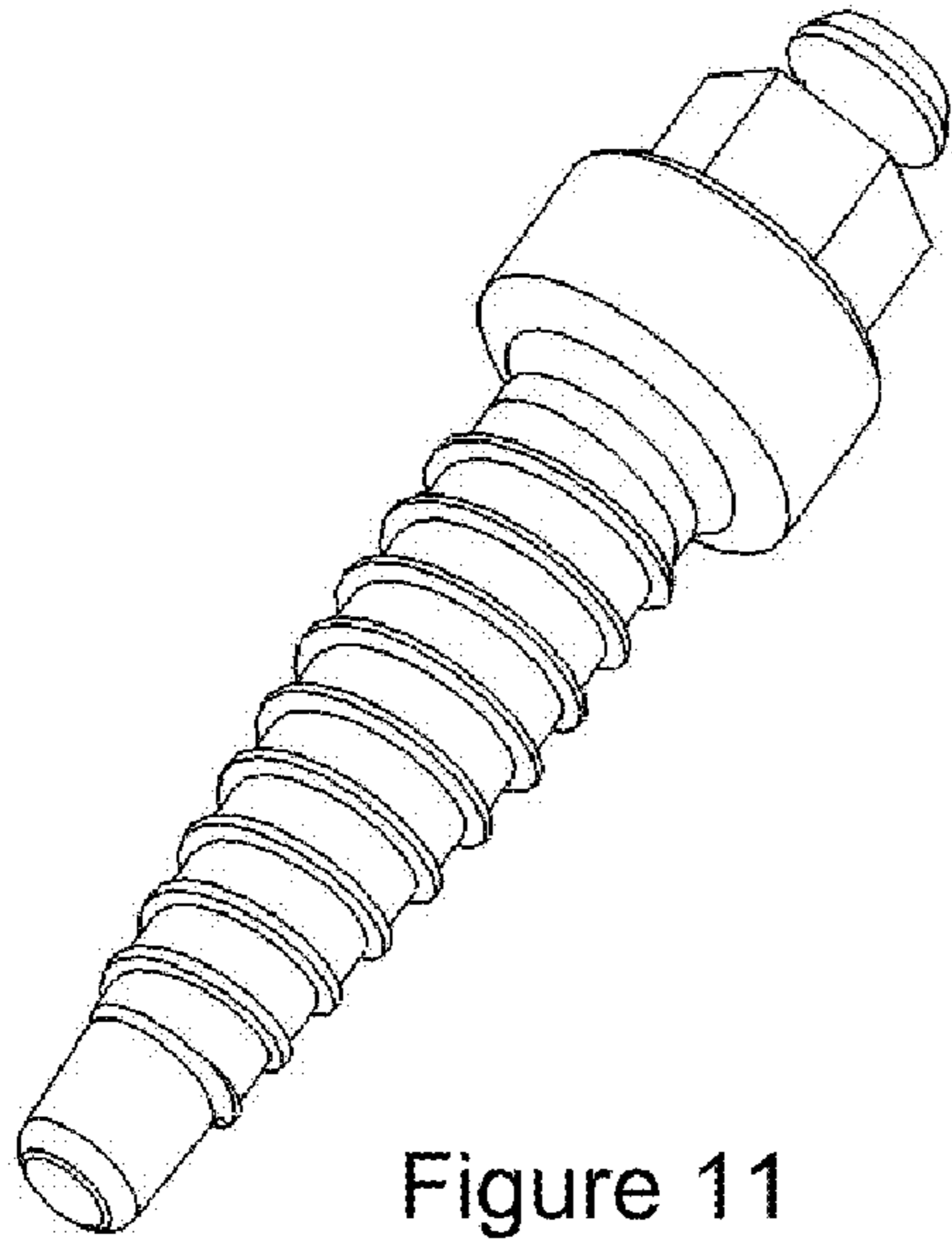


Figure 11

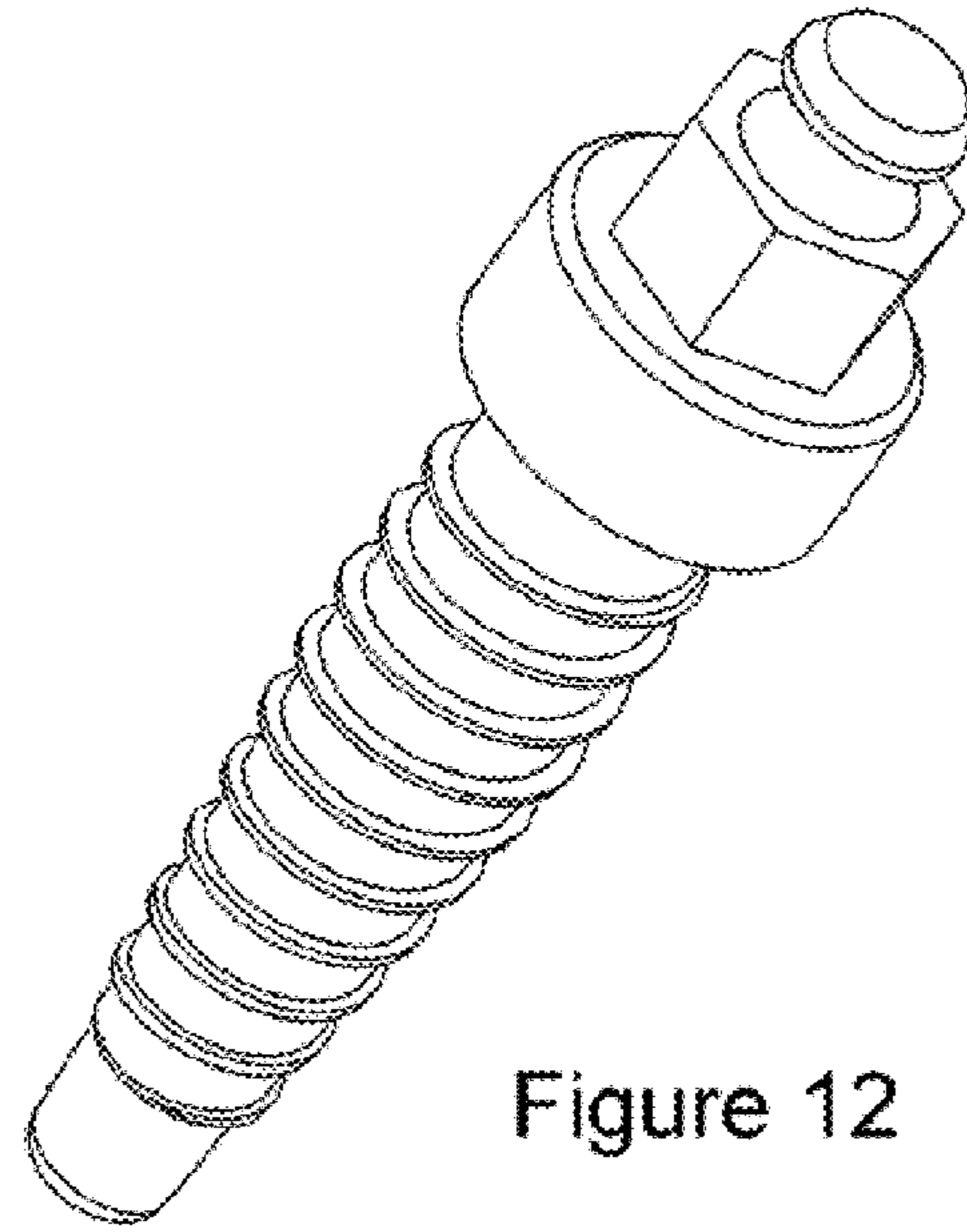


Figure 12

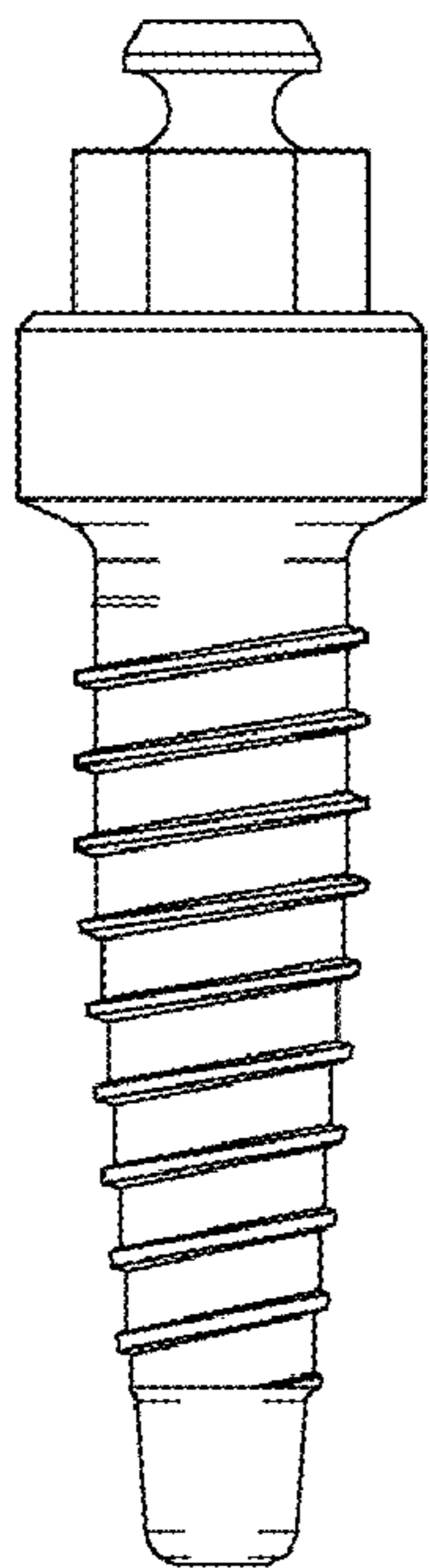


Figure 13

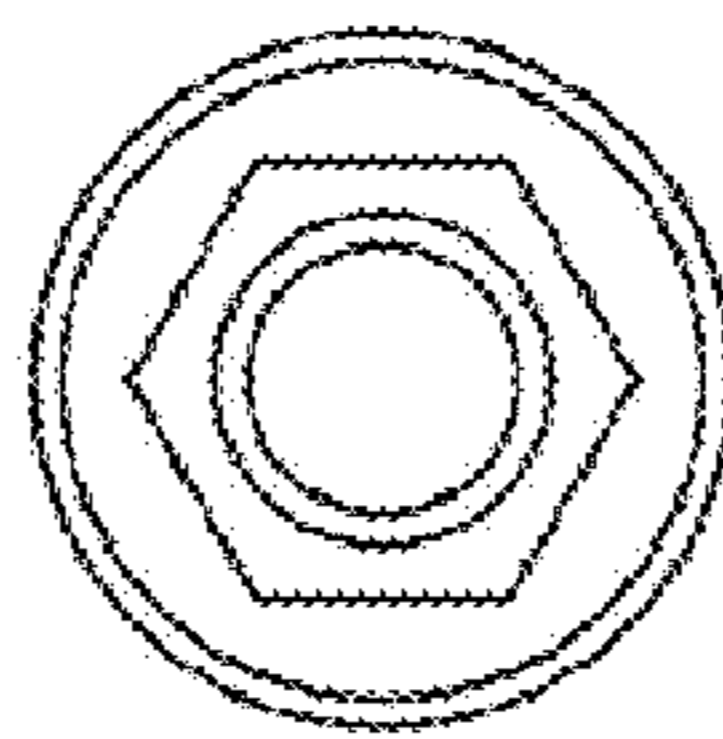


Figure 14

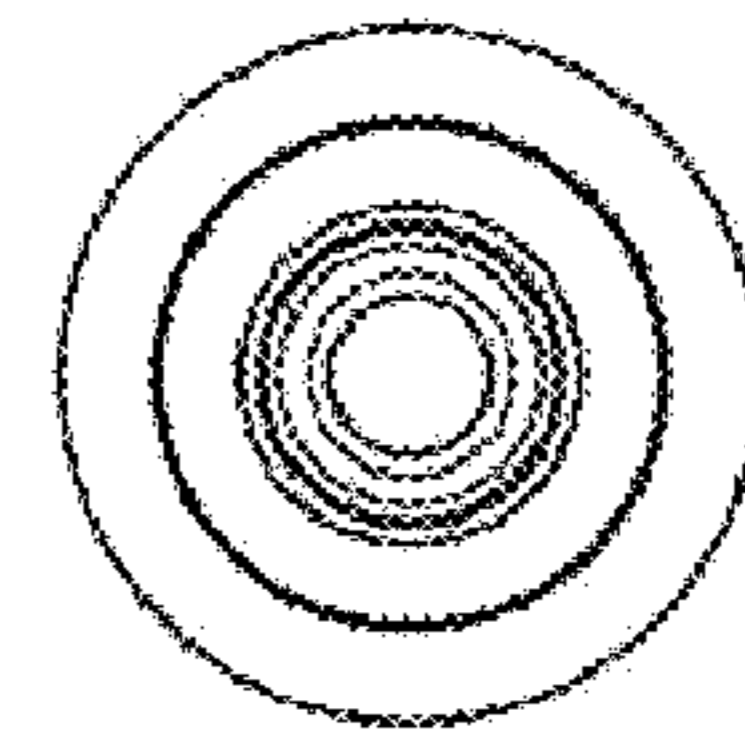


Figure 15

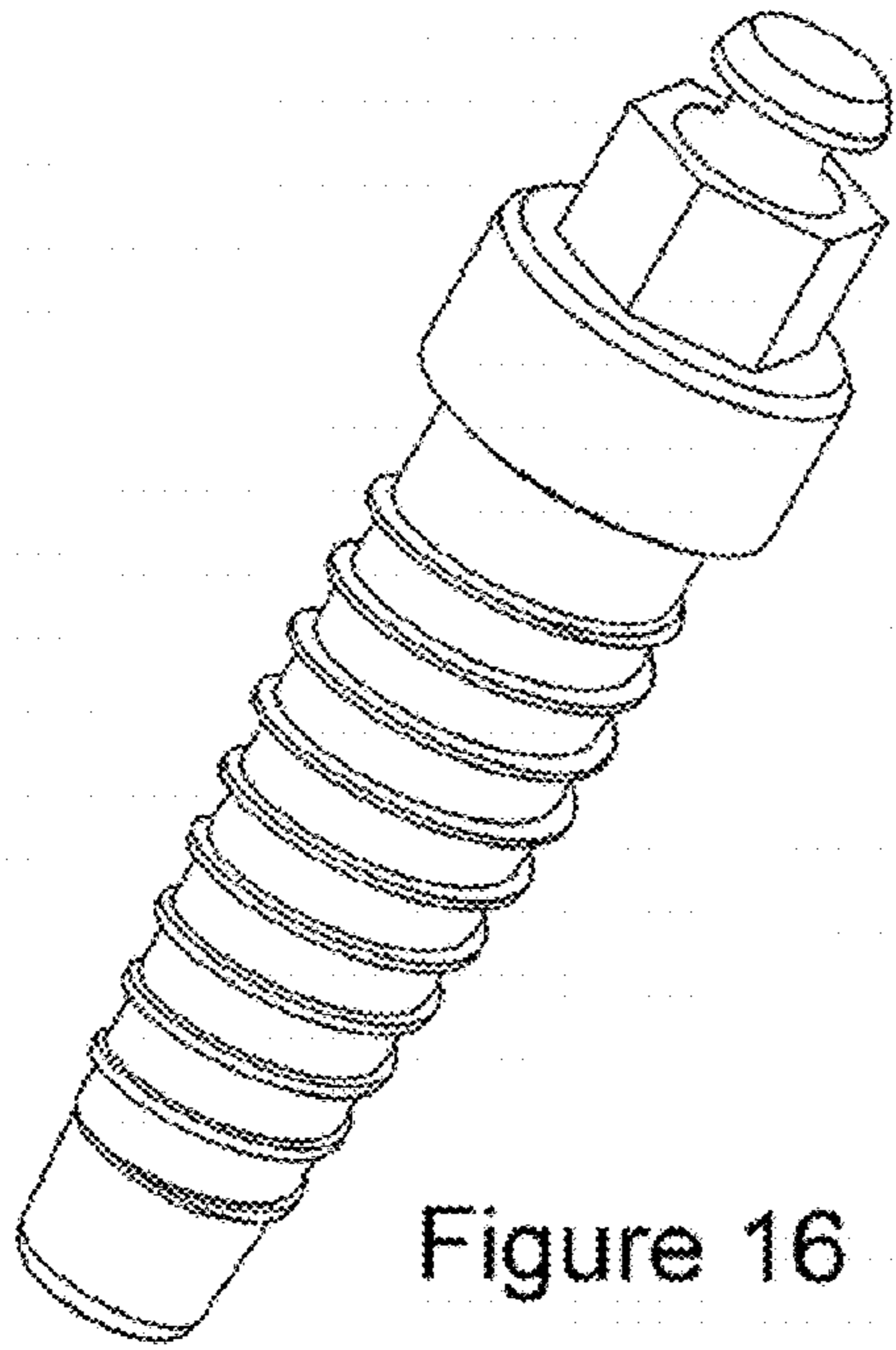


Figure 16

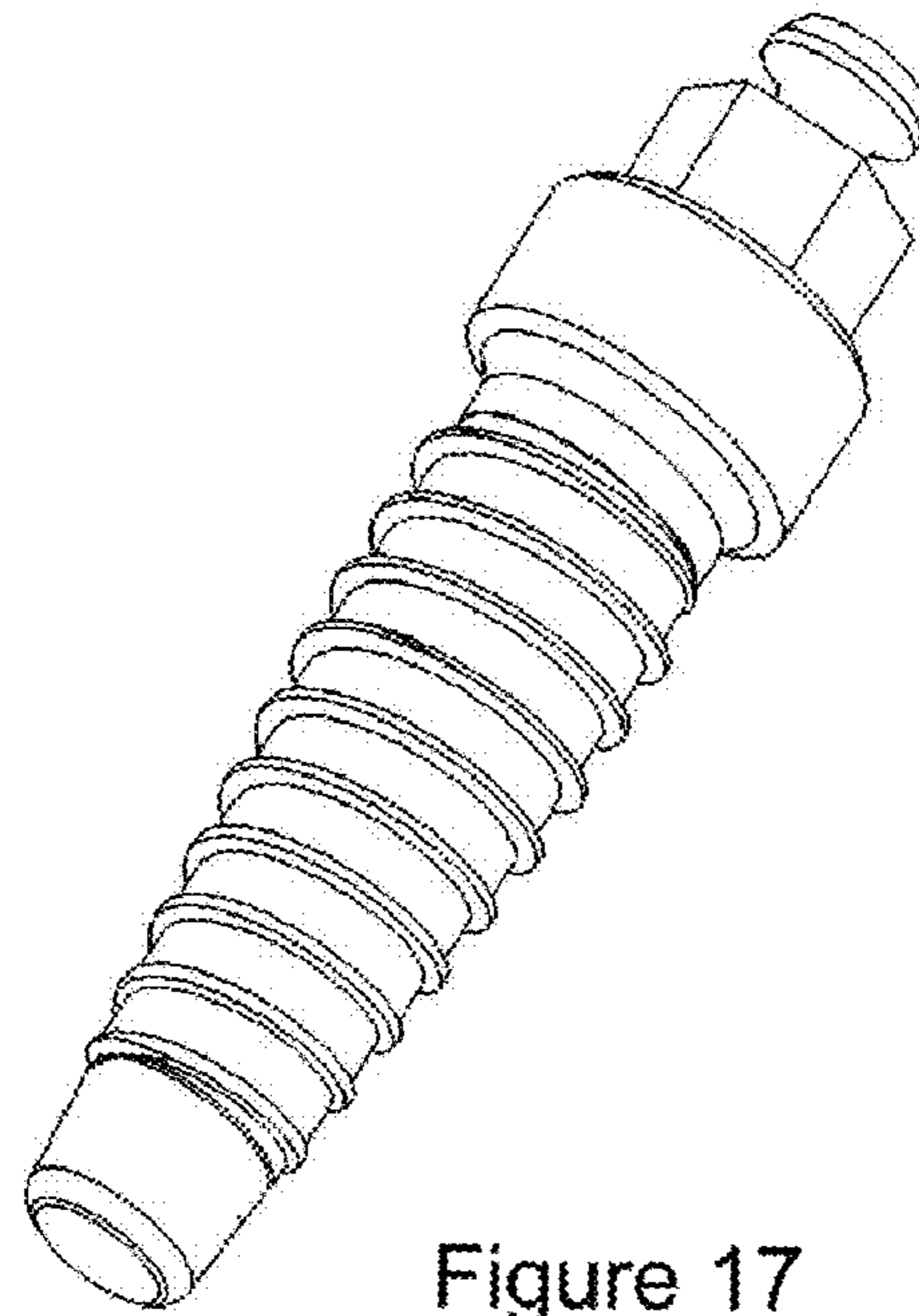


Figure 17

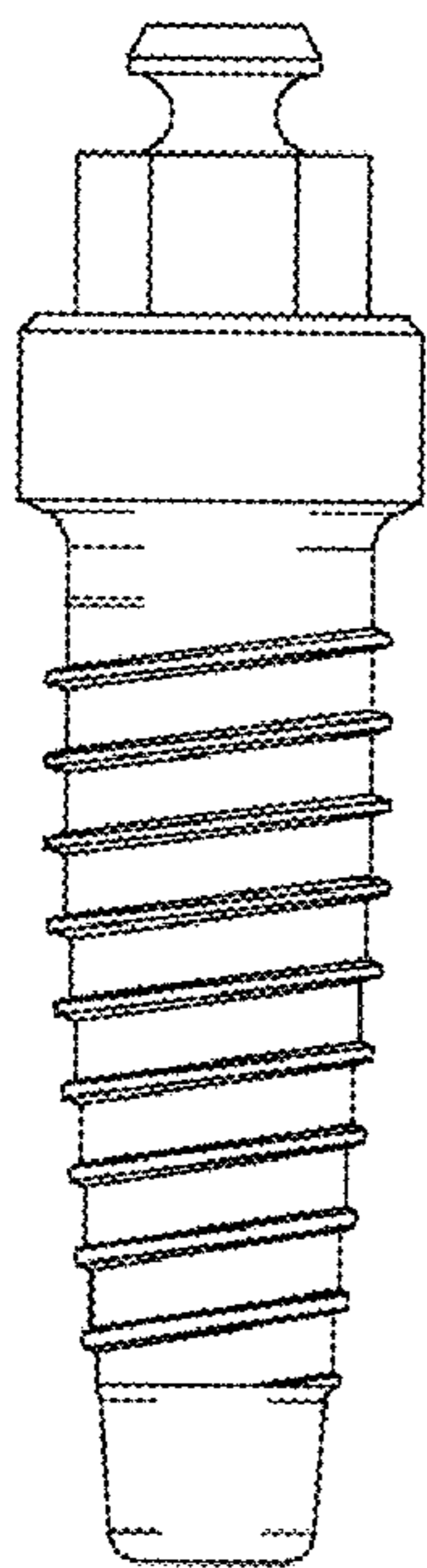


Figure 18

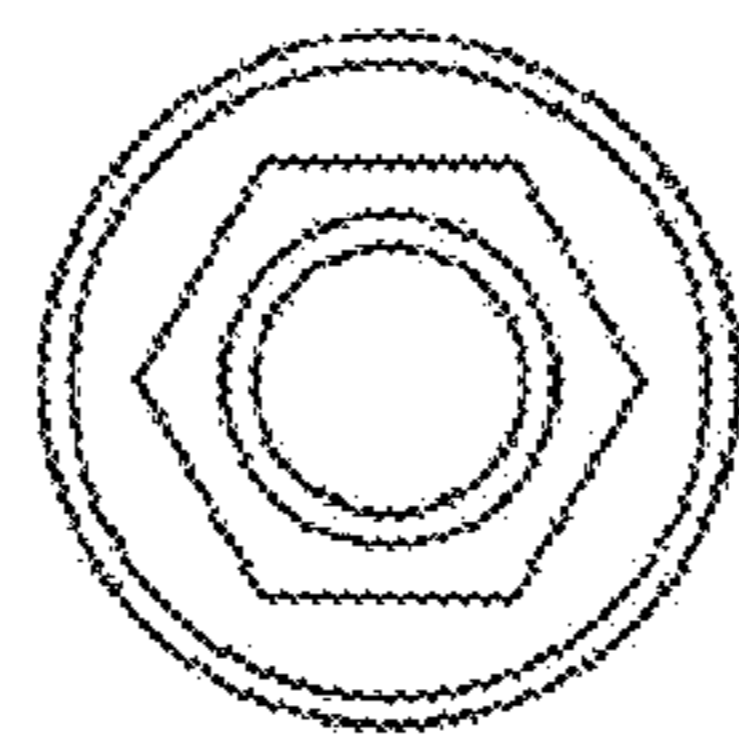


Figure 19

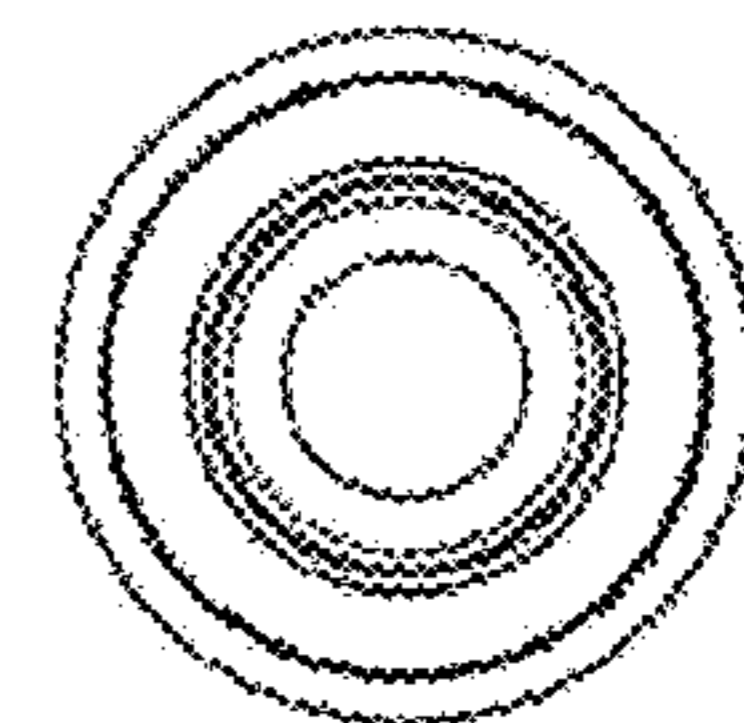


Figure 20