



US00D611510S

(12) **United States Design Patent**
Khanin et al.

(10) **Patent No.:** **US D611,510 S**
(45) **Date of Patent:** **** Mar. 9, 2010**

(54) **TURBO MACHINE BLADE PLATFORM**

(75) Inventors: **Alexander Anatolievich Khanin**,
Moscow (RU); **Maxim Konter**,
Klingnau (CH); **Dietrich Eckardt**,
Ennetbaden (CH); **Alexander Bone**,
Moscow (RU)

(73) Assignee: **ALSTOM Technology Ltd.**, Baden
(CH)

(**) Term: **14 Years**

(21) Appl. No.: **29/283,946**

(22) Filed: **Aug. 28, 2007**

(51) **LOC (9) Cl.** **15-09**

(52) **U.S. Cl.** **D15/138**

(58) **Field of Classification Search** D15/138,
D15/139, 199; 277/421, 422, 643; 415/135,
415/136, 138, 139; 416/22 R, 146 R, 145,
416/173.1, 173.4, 190, 191, 193 A, 220, 220 R,
416/224, 248, 500

See application file for complete search history.

(56) **References Cited**

U.S. PATENT DOCUMENTS

2,751,189	A *	6/1956	Ledwith	416/217
2,796,215	A *	6/1957	Warnken	416/230
4,460,314	A *	7/1984	Fuller	416/145
7,186,089	B2 *	3/2007	Liang	416/193 A
7,334,993	B2 *	2/2008	Sekihara et al.	416/97 R
2002/0119043	A1 *	8/2002	Allen et al.	415/200
2005/0079062	A1 *	4/2005	Surace et al.	416/248
2005/0169758	A1 *	8/2005	Dube et al.	416/191
2007/0031259	A1 *	2/2007	Dube et al.	416/193 A
2007/0041838	A1 *	2/2007	Charbonneau et al.	416/193 A

2007/0243067	A1 *	10/2007	Bil et al.	416/193 A
2007/0258816	A1 *	11/2007	Bouchard et al.	416/193 A
2007/0258817	A1 *	11/2007	Allen-Bradley et al.	416/193 A
2007/0269313	A1 *	11/2007	Nadvit et al.	416/193 A
2007/0292271	A1 *	12/2007	Bil et al.	416/193 A
2008/0038116	A1 *	2/2008	Zemitis et al.	416/191

* cited by examiner

Primary Examiner—Sandra Snapp

Assistant Examiner—Patricia Palasik

(74) *Attorney, Agent, or Firm*—Cermak Kenealy Vaidya &
Nakajima LLP; Adam J. Cermak

(57) **CLAIM**

The ornamental design for a turbo machine blade platform, as shown and described.

DESCRIPTION

FIG. 1 is a bottom, left, front perspective view of a turbo machine blade platform showing our new design;

FIG. 2 is a bottom, right, rear perspective view of the turbo machine blade platform shown in FIG. 1;

FIG. 3 is a bottom, left, rear perspective view of the turbo machine blade platform shown in FIG. 1;

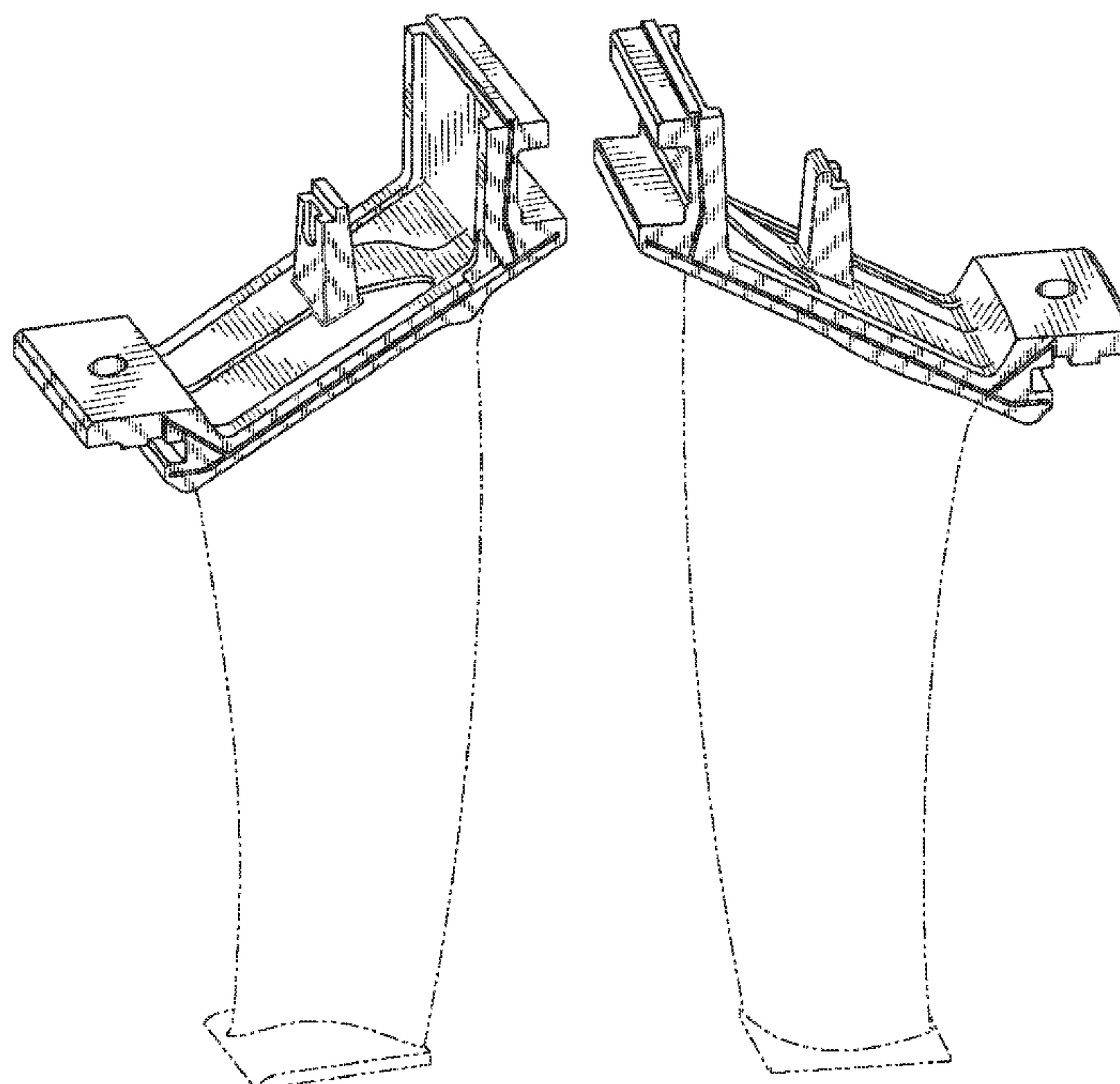
FIG. 4 is bottom plan view of the turbo machine blade platform shown in FIG. 1;

FIG. 5 is a top plan view of the turbo machine blade platform shown in FIG. 1; and,

FIG. 6 is a top, right, front perspective view of the turbo machine blade platform shown in FIG. 1.

Portions of the turbo machine blade platform illustrated in broken lines in the drawings form no part of the claimed design.

1 Claim, 5 Drawing Sheets



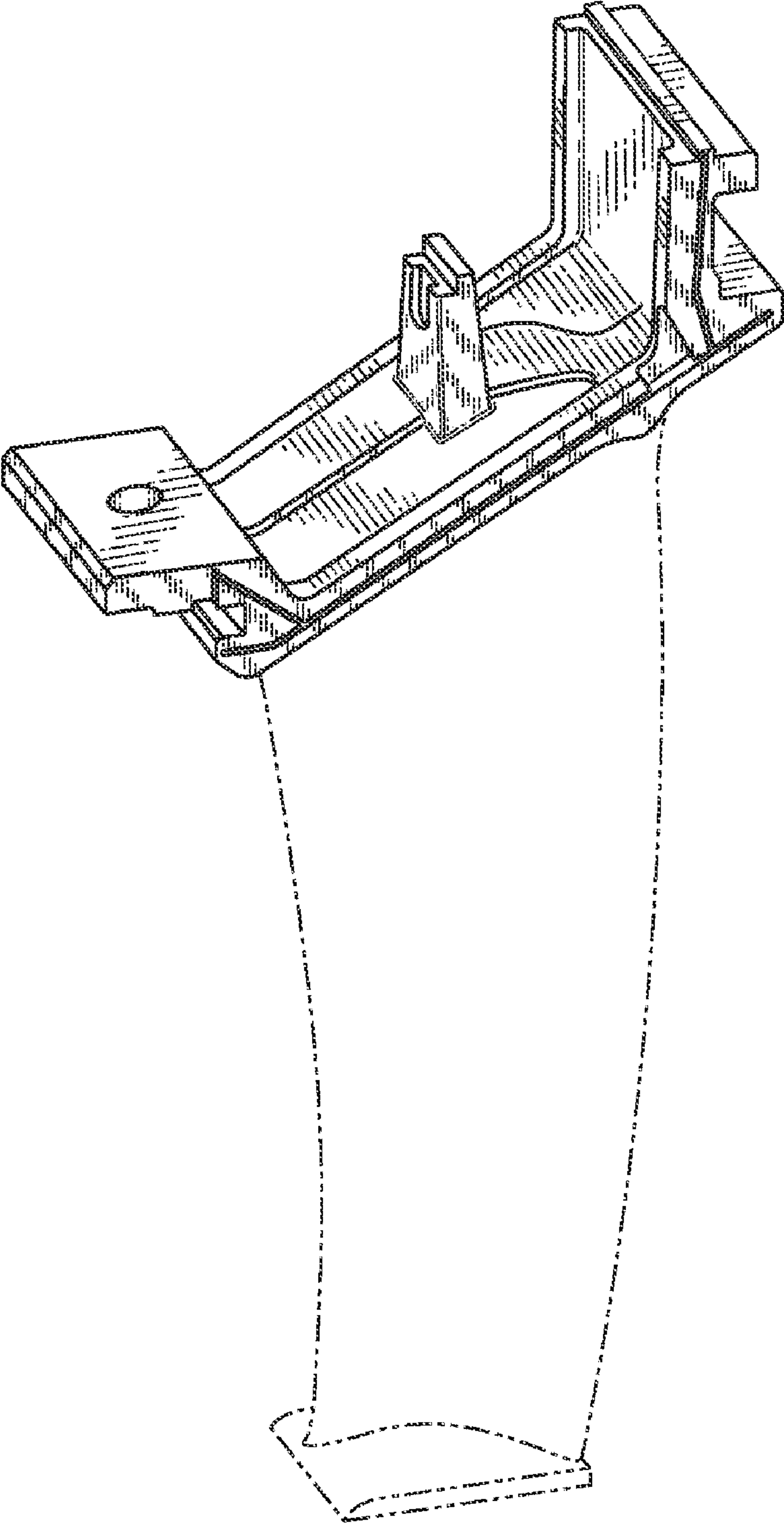


FIG. 1

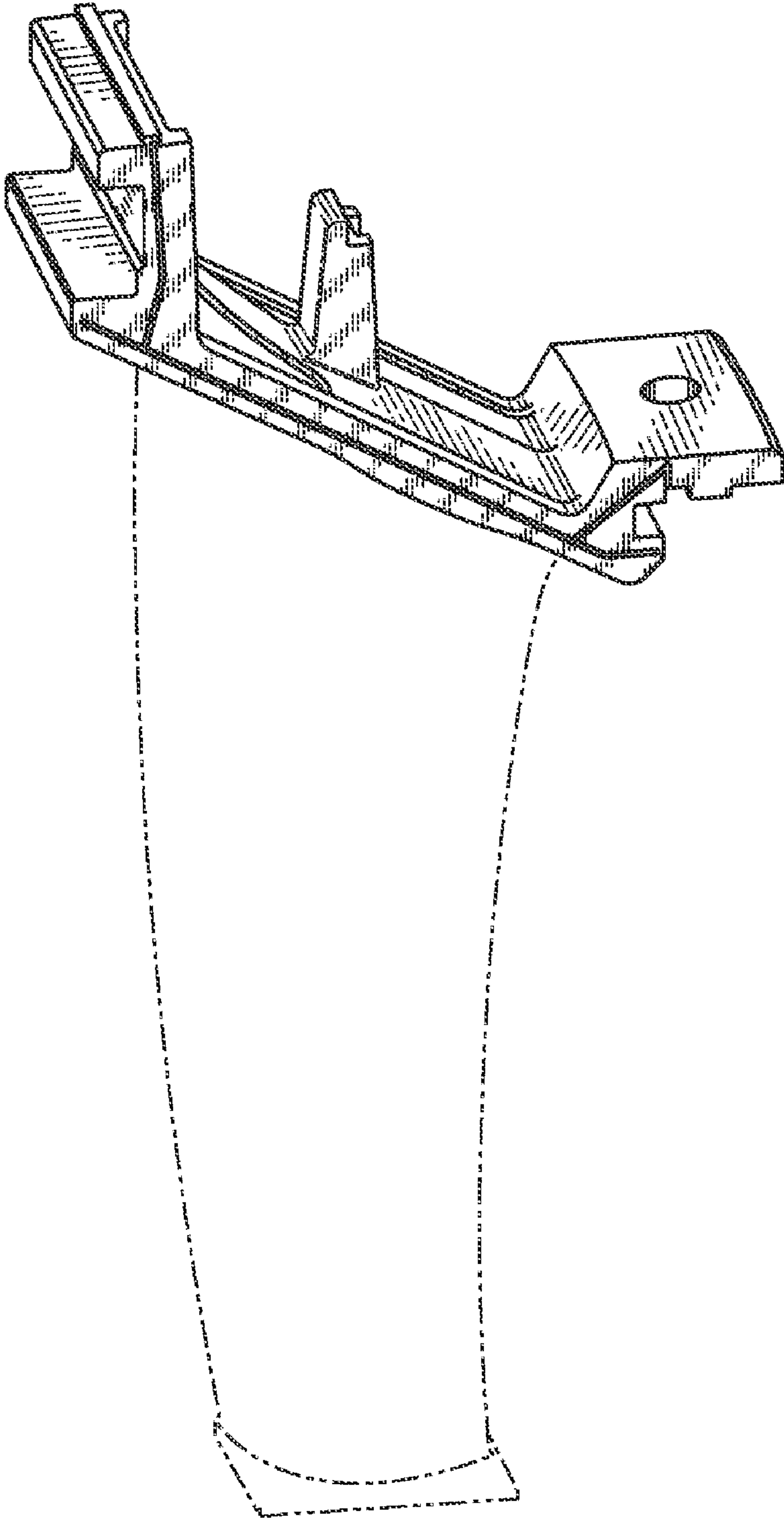


FIG. 2

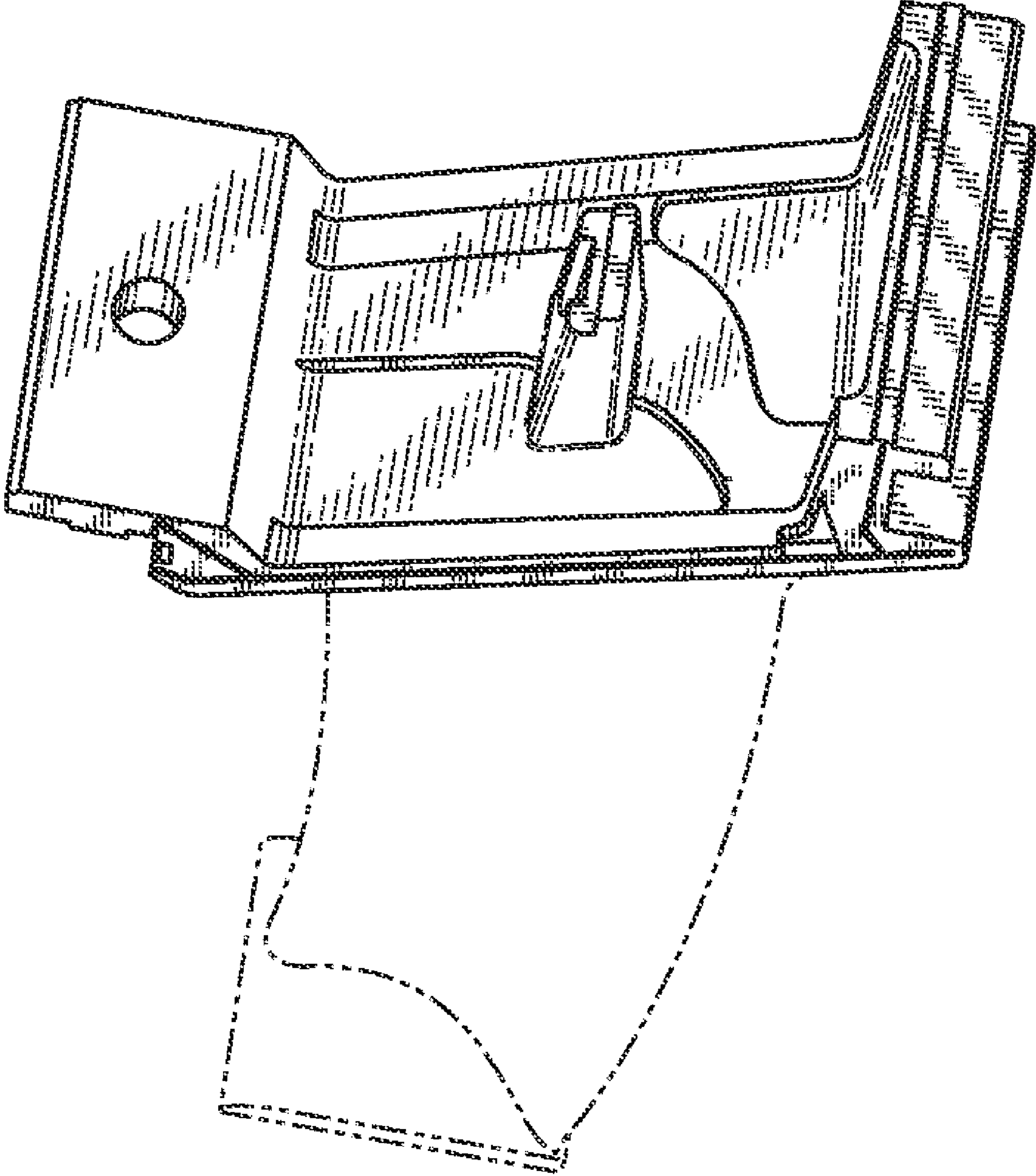


FIG. 3

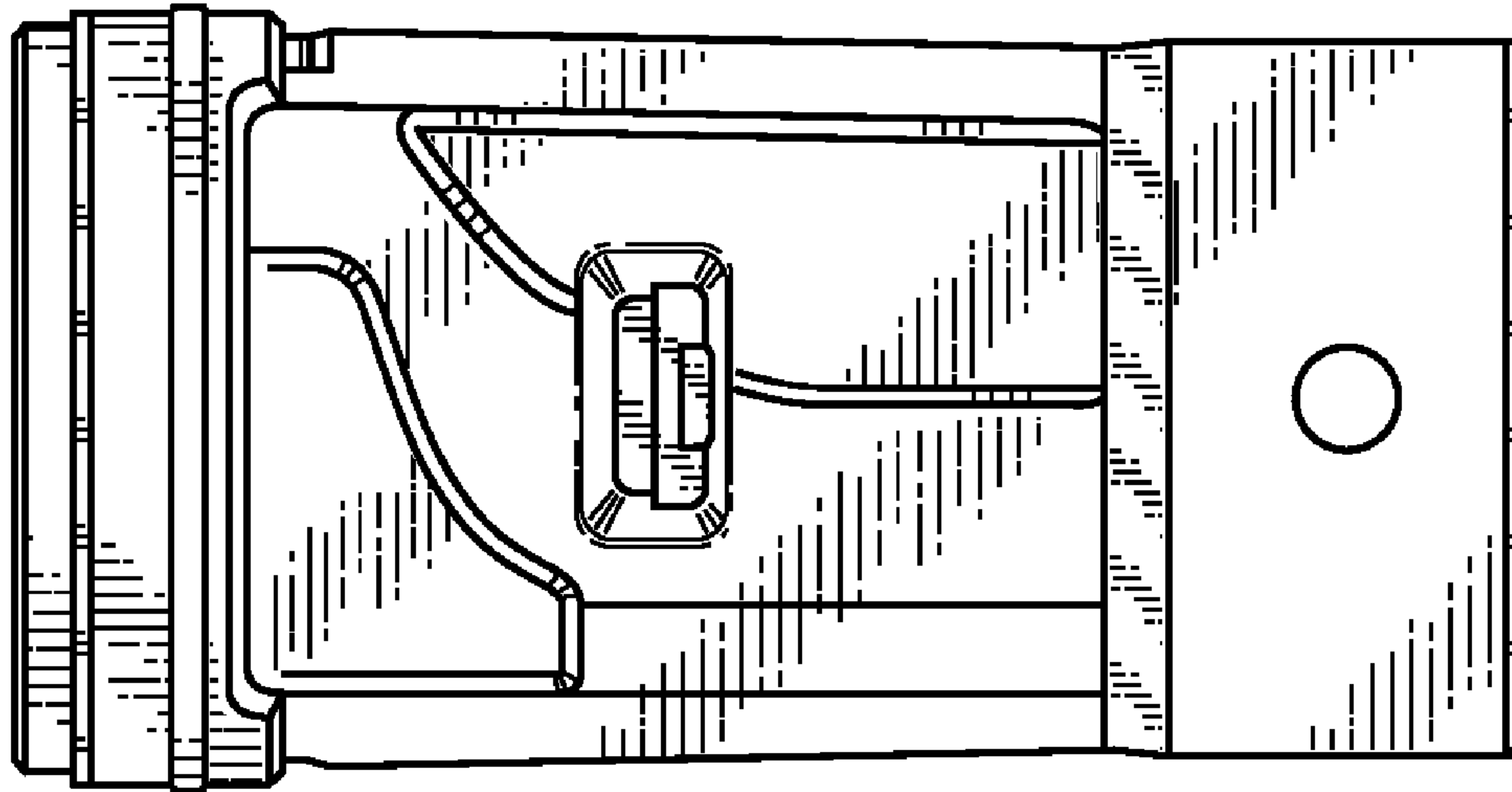


FIG. 4

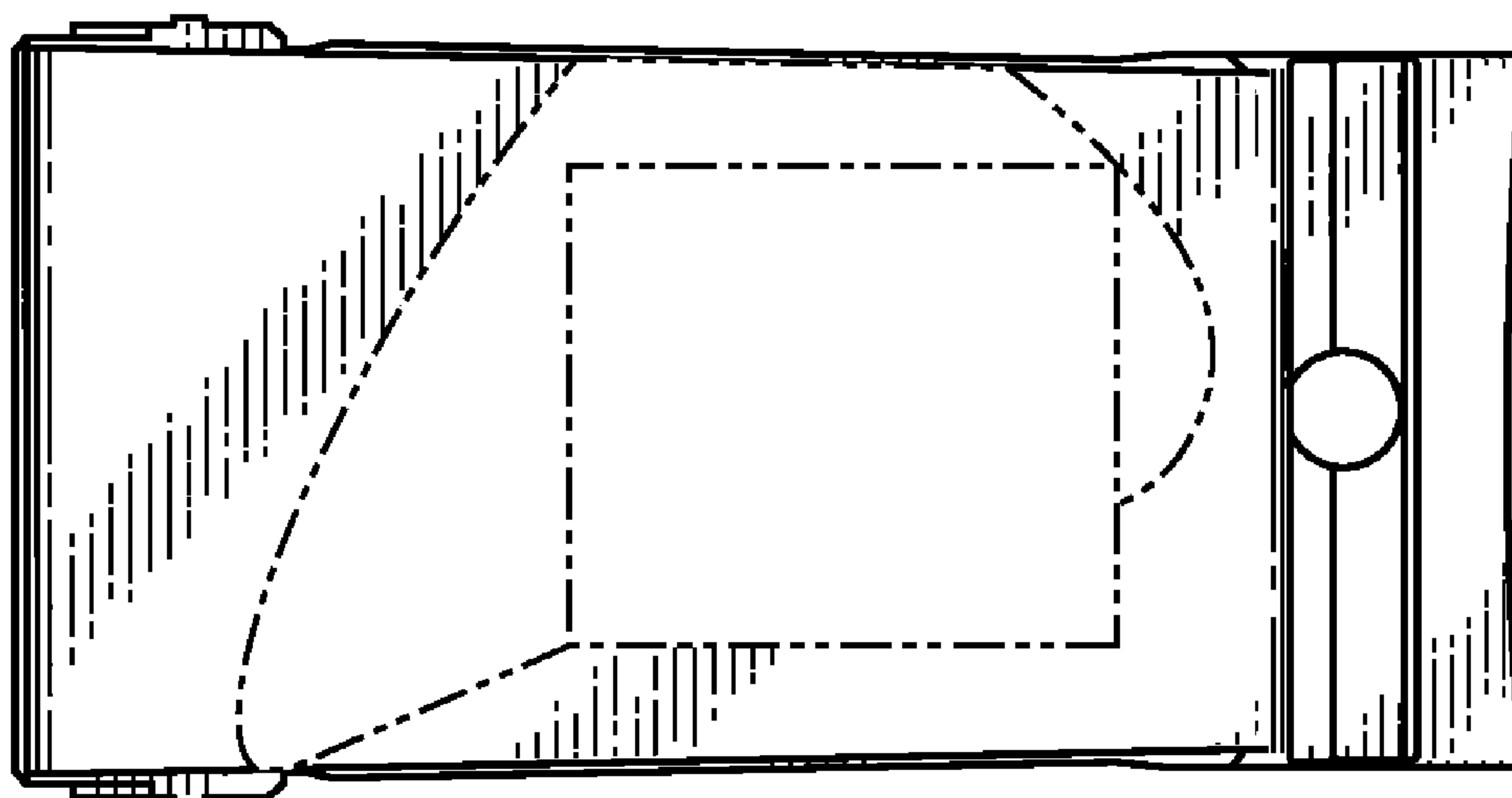


FIG. 5

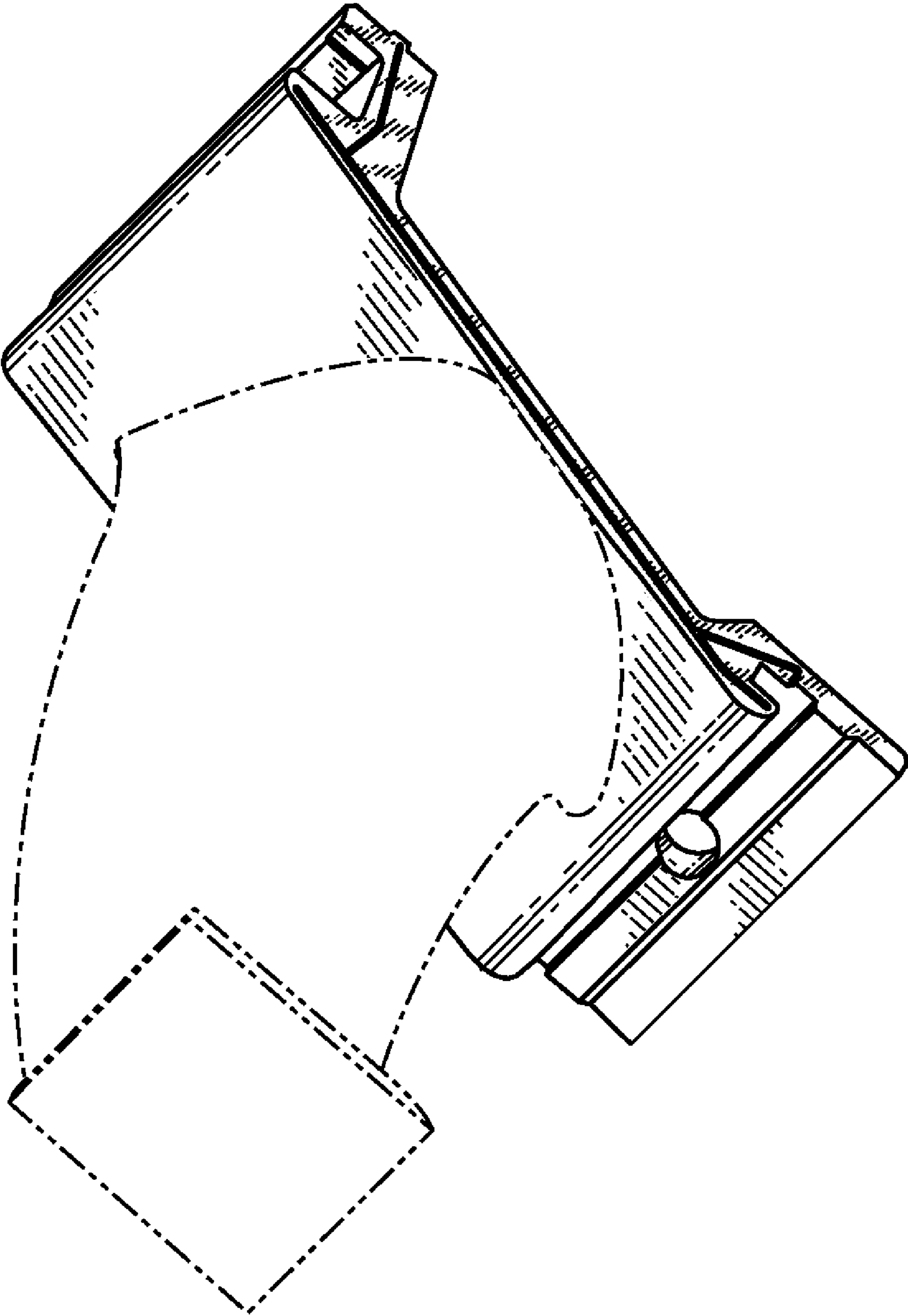


FIG. 6