



US00D611509S

(12) **United States Design Patent**  
**Thorson et al.**

(10) **Patent No.:** **US D611,509 S**  
(45) **Date of Patent:** **\*\* Mar. 9, 2010**

(54) **PORTION OF A ROUTER**

FOREIGN PATENT DOCUMENTS

(75) Inventors: **Troy C. Thorson**, Waukesha, WI (US);  
**Andrew J. Weber**, Cudahy, WI (US)

CA 2 314 653 7/2000

(73) Assignee: **Milwaukee Electric Tool Corporation**,  
Brookfield, WI (US)

(Continued)

(\*\*) Term: **14 Years**

OTHER PUBLICATIONS

(21) Appl. No.: **29/291,231**

Sears, Craftsman Catalog, 2006-2007, p. 165.\*

(22) Filed: **Aug. 20, 2007**

*Primary Examiner*—Sandra Snapp  
*Assistant Examiner*—Patricia Palasik

(51) **LOC (9) Cl.** ..... **15-09**

(52) **U.S. Cl.** ..... **D15/127; D15/142**

(58) **Field of Classification Search** ..... D8/67,  
D8/70, 107; D9/439; D15/127, 142; 144/134,  
144/134.1, 134 D, 136.1, 136.95, 136 C,  
144/154.5, 252.1; 310/50; 409/180, 181,  
409/182; 451/456

(74) *Attorney, Agent, or Firm*—Michael Best & Friedrich  
LLP

(57) **CLAIM**

The ornamental design for a portion of a router, as shown and  
described.

See application file for complete search history.

**DESCRIPTION**

(56) **References Cited**

U.S. PATENT DOCUMENTS

542,568 A	7/1895	Miller	
712,843 A	11/1902	Paul	
1,586,412 A	5/1926	Curtis	
1,820,162 A	8/1931	Salvat	
D108,502 S *	2/1938	Trautner	D12/177
D141,293 S *	5/1945	Thorp	D12/177
2,504,880 A	4/1950	Rittenhouse	
2,513,894 A	7/1950	Rogers	
2,630,152 A	3/1953	Turnbull	
2,799,305 A	7/1957	Groehn	
2,842,173 A	7/1958	Turner et al.	
2,943,654 A	7/1960	Emmons	
3,289,718 A	12/1966	Willis	
3,317,076 A	5/1967	Enders	
3,363,510 A	1/1968	Burrows et al.	
3,451,133 A	6/1969	Hathawa et al.	
3,466,973 A	9/1969	Rees	

FIG. 1 is a top perspective view of a portion of a router.

FIG. 2 is a front view of the portion of the router shown in  
FIG. 1.

FIG. 3 is a rear view of the portion of the router shown in FIG.  
1.

FIG. 4 is a top view of the portion of the router shown in FIG.  
1.

FIG. 5 is a bottom view of the portion of the router shown in  
FIG. 1.

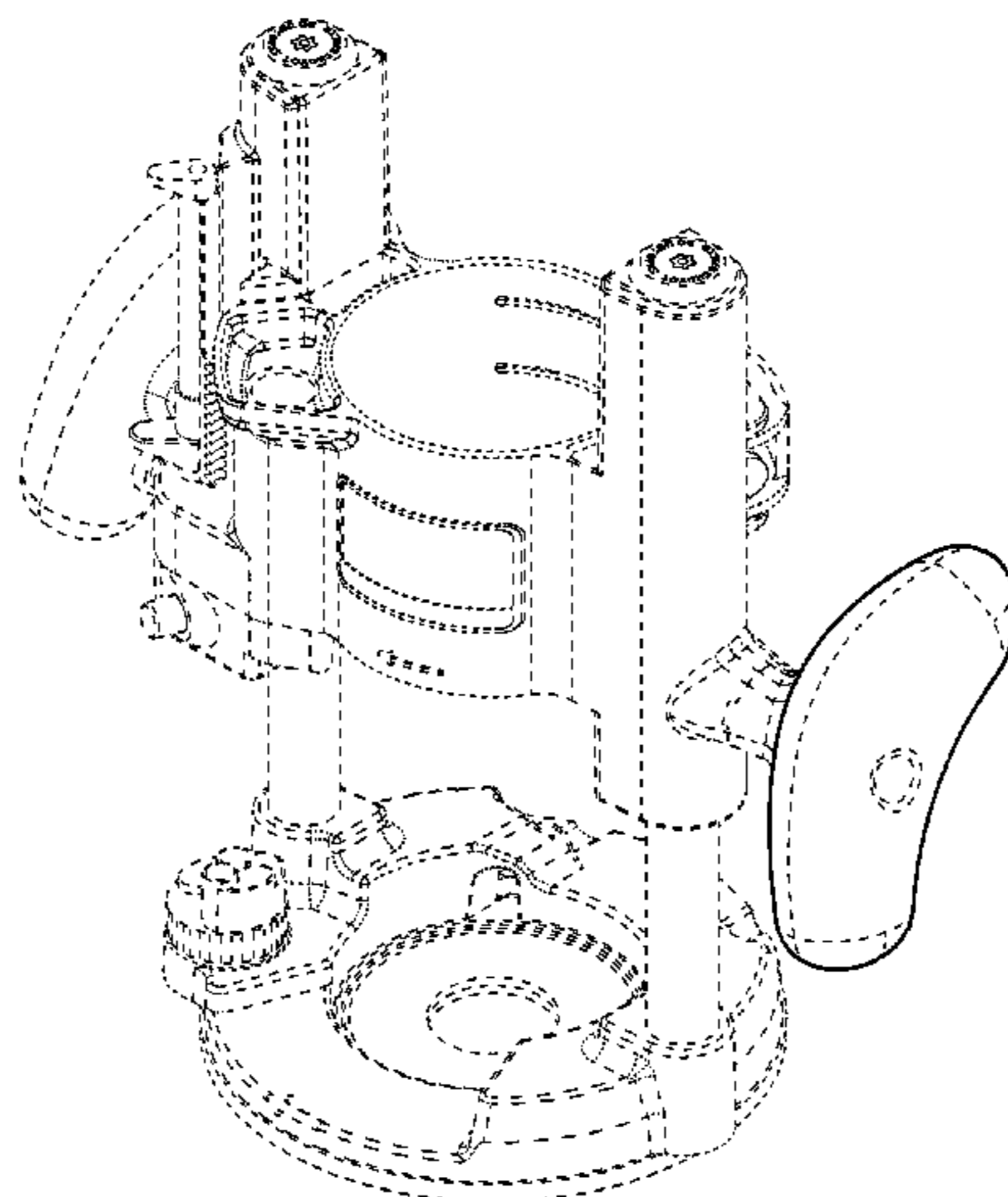
FIG. 6 is a right side view of the portion of the router shown  
in FIG. 1; and,

FIG. 7 is a bottom perspective view of the portion of the router  
shown in FIG. 1.

The portions of the router shown in broken lines are for  
illustrative purposes only and form no part of the claimed  
design.

(Continued)

**1 Claim, 7 Drawing Sheets**



# US D611,509 S

Page 2

U.S. PATENT DOCUMENTS					
			5,265,657 A	11/1993	Matsumoto et al.
			5,273,089 A	12/1993	Fuchs et al.
			5,289,861 A	3/1994	Hedrick
			5,310,296 A	5/1994	McCurry
			D349,637 S	8/1994	Hoshino et al.
			5,347,684 A	9/1994	Jackson
			5,353,474 A	10/1994	Good et al.
			D352,048 S	11/1994	Goebel
			5,361,851 A	11/1994	Fox
			5,368,424 A	11/1994	Bettenhausen
			5,375,636 A	12/1994	Bosten et al.
			5,429,235 A	7/1995	Chen
			5,445,479 A	8/1995	Hillinger
			5,452,751 A	9/1995	Engler, III et al.
			5,469,601 A	11/1995	Jackson
			5,503,203 A	4/1996	Stornetta
			5,511,445 A	4/1996	Hildebrandt
			5,533,843 A	7/1996	Chung
			D372,656 S *	8/1996	Nagano ..... D8/303
			D373,319 S *	9/1996	Dziersk ..... D10/106
			5,584,620 A	12/1996	Blickhan et al.
			5,590,989 A	1/1997	Mulvihill
			5,598,892 A	2/1997	Fox
			5,611,378 A	3/1997	Brazell
			5,613,305 A	3/1997	Narrin
			5,613,813 A	3/1997	Winchester et al.
			5,632,578 A	5/1997	McCurry et al.
			5,640,741 A	6/1997	Yano
			5,662,440 A	9/1997	Kikuchi et al.
			5,671,789 A *	9/1997	Stolzer et al. .... 144/154.5
			5,678,965 A	10/1997	Strick
			5,685,676 A	11/1997	Johnson
			5,725,036 A	3/1998	Walter
			5,725,038 A	3/1998	Tucker et al.
			D393,583 S *	4/1998	Nagano ..... D8/303
			5,758,702 A	6/1998	Adams
			5,803,684 A	9/1998	Wang
			5,813,805 A	9/1998	Kopras
			5,853,273 A	12/1998	Coffey
			5,853,274 A	12/1998	Coffey et al.
			D407,617 S	4/1999	Cooper et al.
			5,902,080 A	5/1999	Kopras
			D410,934 S	6/1999	Etter
			5,909,987 A	6/1999	Coffey et al.
			5,918,652 A	7/1999	Tucker
			5,921,730 A *	7/1999	Young et al. .... 409/182
			D416,460 S	11/1999	Bosten et al.
			5,988,241 A	11/1999	Bosten et al.
			5,993,124 A	11/1999	Cooper et al.
			5,997,225 A	12/1999	Young et al.
			5,998,897 A	12/1999	Bosten et al.
			6,048,260 A	4/2000	Kopras
			6,065,912 A	5/2000	Bosten et al.
			6,079,915 A	6/2000	Bosten et al.
			6,094,780 A *	8/2000	McGlothlin et al. .... 16/430
			6,113,323 A	9/2000	Bosten et al.
			6,139,229 A	10/2000	Bosten et al.
			D435,414 S	12/2000	Etter et al.
			6,158,930 A	12/2000	Etter
			D438,086 S *	2/2001	Ahlund ..... D8/99
			6,182,723 B1	2/2001	Bosten et al.
			6,226,877 B1	5/2001	Ono
			6,250,859 B1	6/2001	Bosten et al.
			D444,364 S *	7/2001	Evans ..... D8/67
			6,261,036 B1	7/2001	Bosten et al.
			6,267,238 B1	7/2001	Miller et al.
			6,308,378 B1	10/2001	Mooty et al.
			D450,230 S	11/2001	Long et al.
			6,318,936 B1	11/2001	McFarlin, Jr. et al.
			6,354,016 B1	3/2002	Cafaro
			6,419,429 B1 *	7/2002	Long et al. .... 409/182
			D461,389 S	8/2002	Hsiao
			D463,238 S	9/2002	Schoen et al.



# US D611,509 S

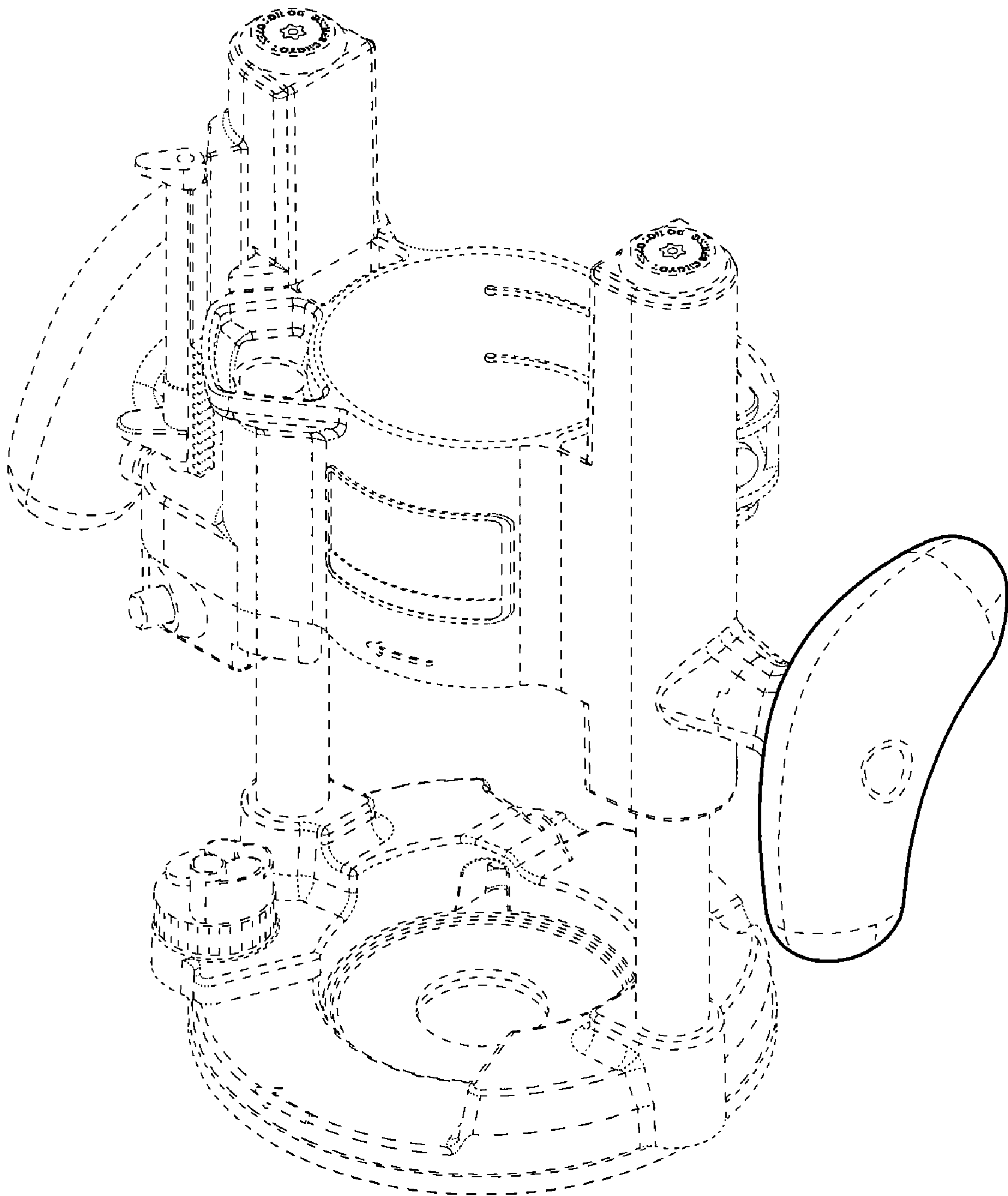
Page 3

6,443,675	B1	9/2002	Kopras et al.	2004/0035495	A1	2/2004	Hessenberger et al.
6,443,676	B1	9/2002	Kopras	2004/0052600	A1*	3/2004	Pientka et al. .... 409/182
6,474,378	B1*	11/2002	Ryan et al. .... 144/154.5	2004/0200543	A1	10/2004	McDonald et al.
6,488,455	B1	12/2002	Staebler et al.	2005/0079025	A1*	4/2005	Oberheim .... 409/182
D473,439	S	4/2003	Grant et al.	2005/0189039	A1	9/2005	McDonald et al.
D479,968	S	9/2003	McDonald et al.	2005/0227885	A1*	10/2005	Maric .... 510/141
D483,978	S*	12/2003	Smith ..... D6/601	2006/0118205	A1	6/2006	McDonald et al.
6,725,892	B2	4/2004	McDonald et al.	2006/0147286	A1*	7/2006	Cooper et al. .... 409/182
D498,719	S*	11/2004	Yao ..... D12/179	2008/0173645	A1*	7/2008	Burstein et al. .... 220/200
6,863,480	B1*	3/2005	Taylor ..... 409/182	2008/0276430	A1*	11/2008	Sharpe ..... 16/430
6,951,232	B2	10/2005	McDonald et al.				
6,991,008	B2	1/2006	McDonald et al.				
D536,232	S*	2/2007	Freese et al. .... D8/107				
D565,380	S*	4/2008	Rinner ..... D8/107				
7,387,324	B1*	6/2008	Sharpe ..... 294/171				
2002/0043296	A1	4/2002	Daniels et al.				
2002/0164223	A1	11/2002	Ryan et al.				
2003/0101592	A1*	6/2003	DeBolt ..... 30/232				
2003/0135956	A1*	7/2003	Gunthardt ..... 16/430				

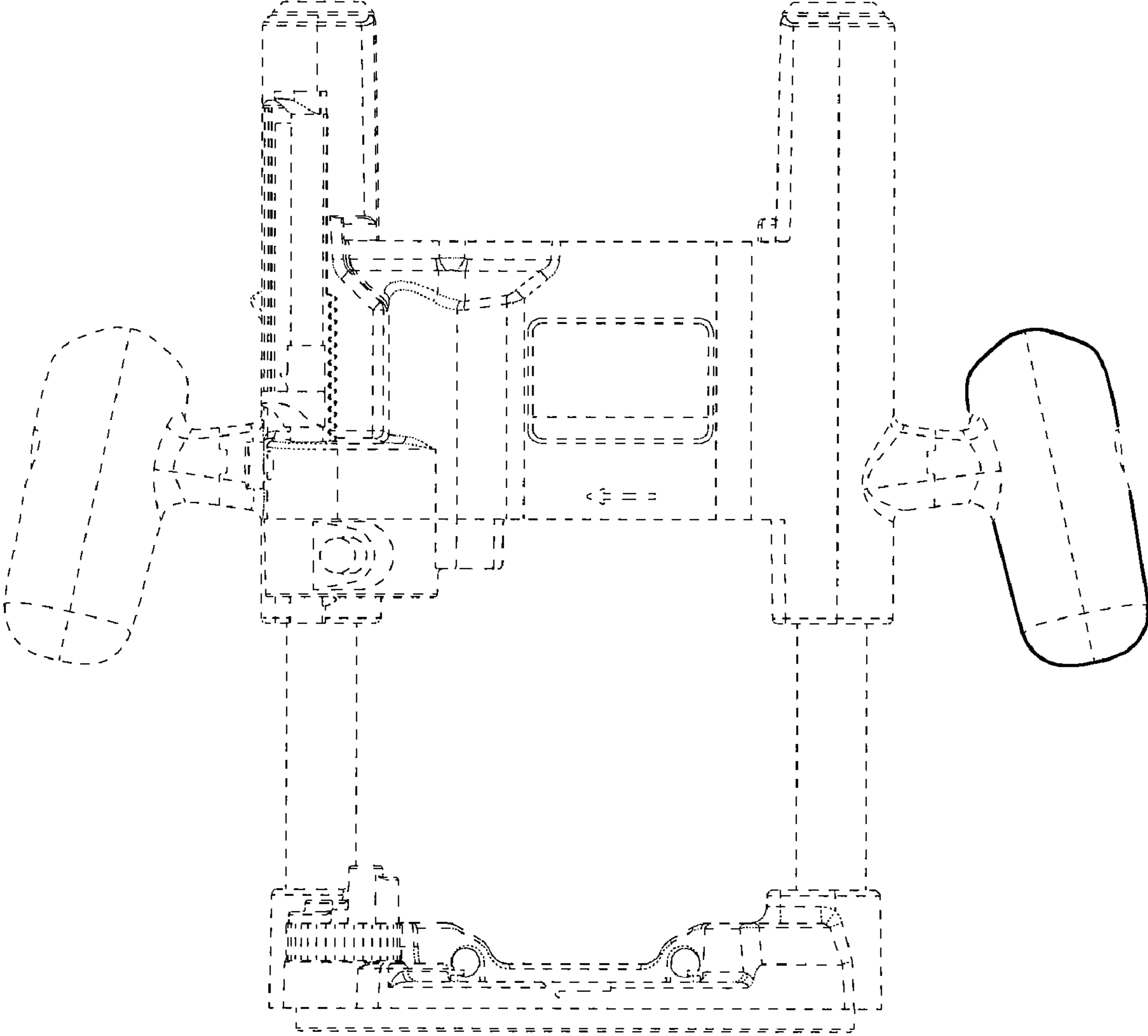
## FOREIGN PATENT DOCUMENTS

DE	41 19 325	12/1992
FR	2 333 990	7/1977
GB	1 452 163	10/1976
GB	2 062 361	5/1981

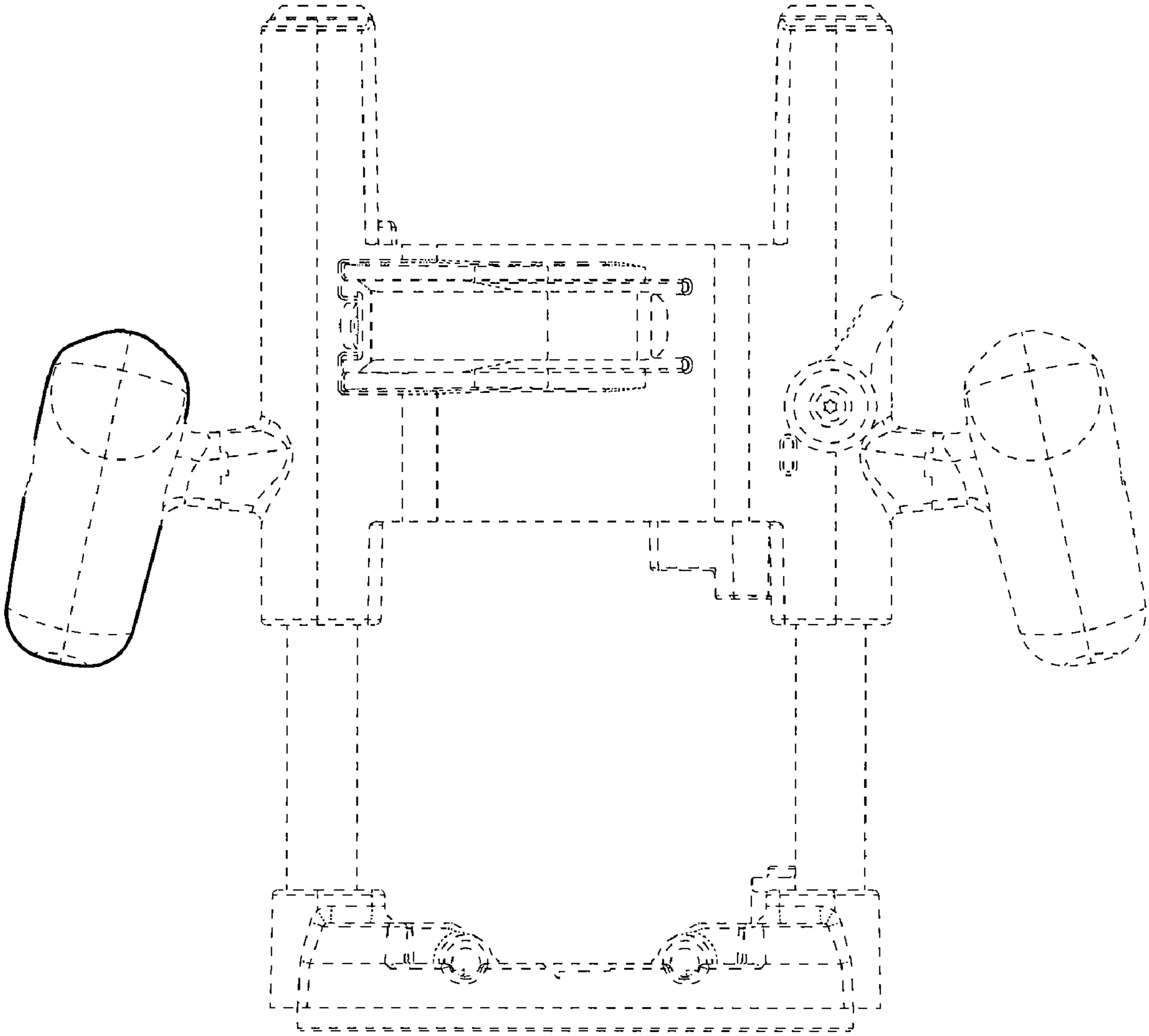
\* cited by examiner



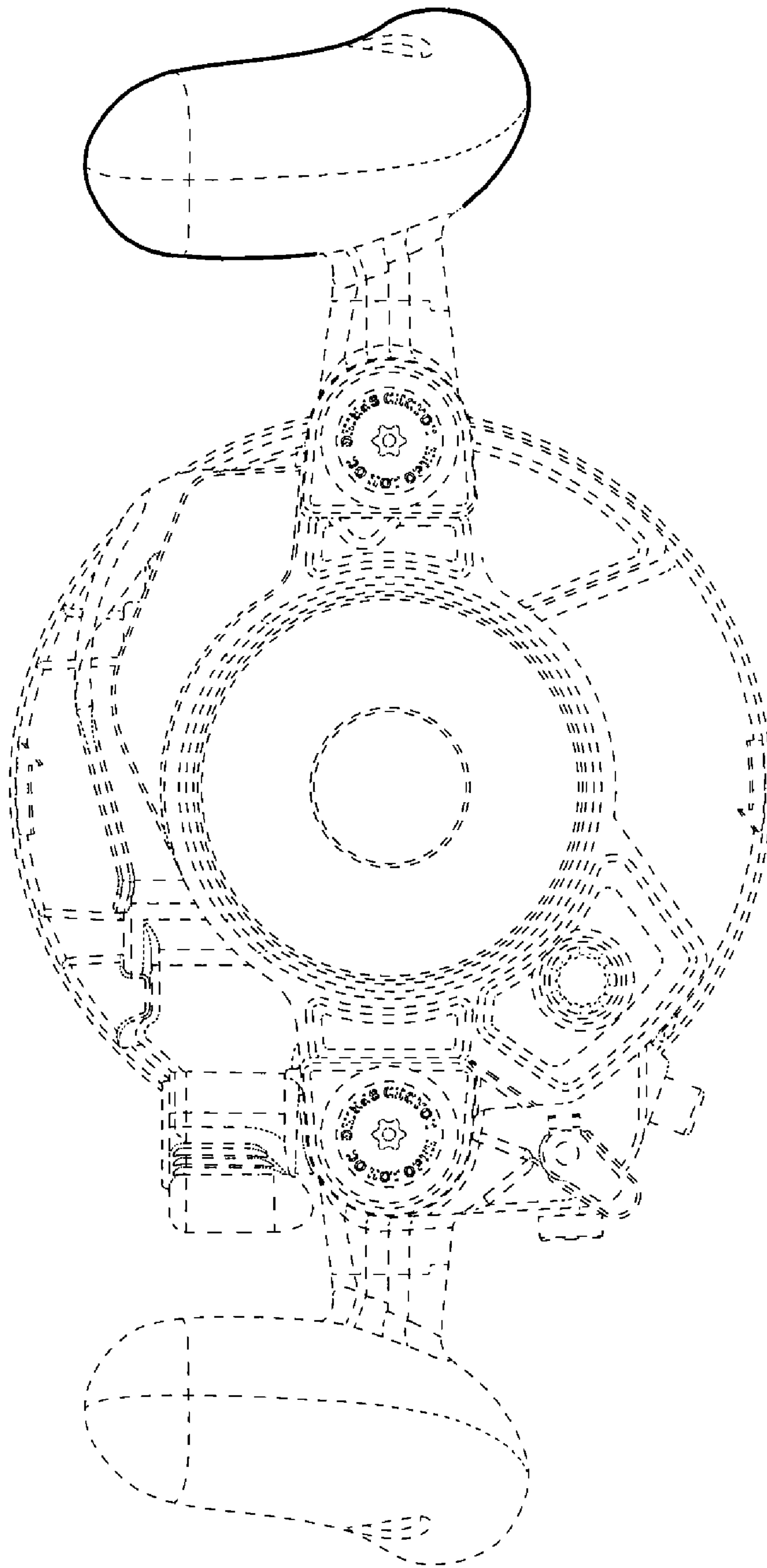
**FIG. 1**



**FIG.2**



**FIG. 3**



**FIG. 4**

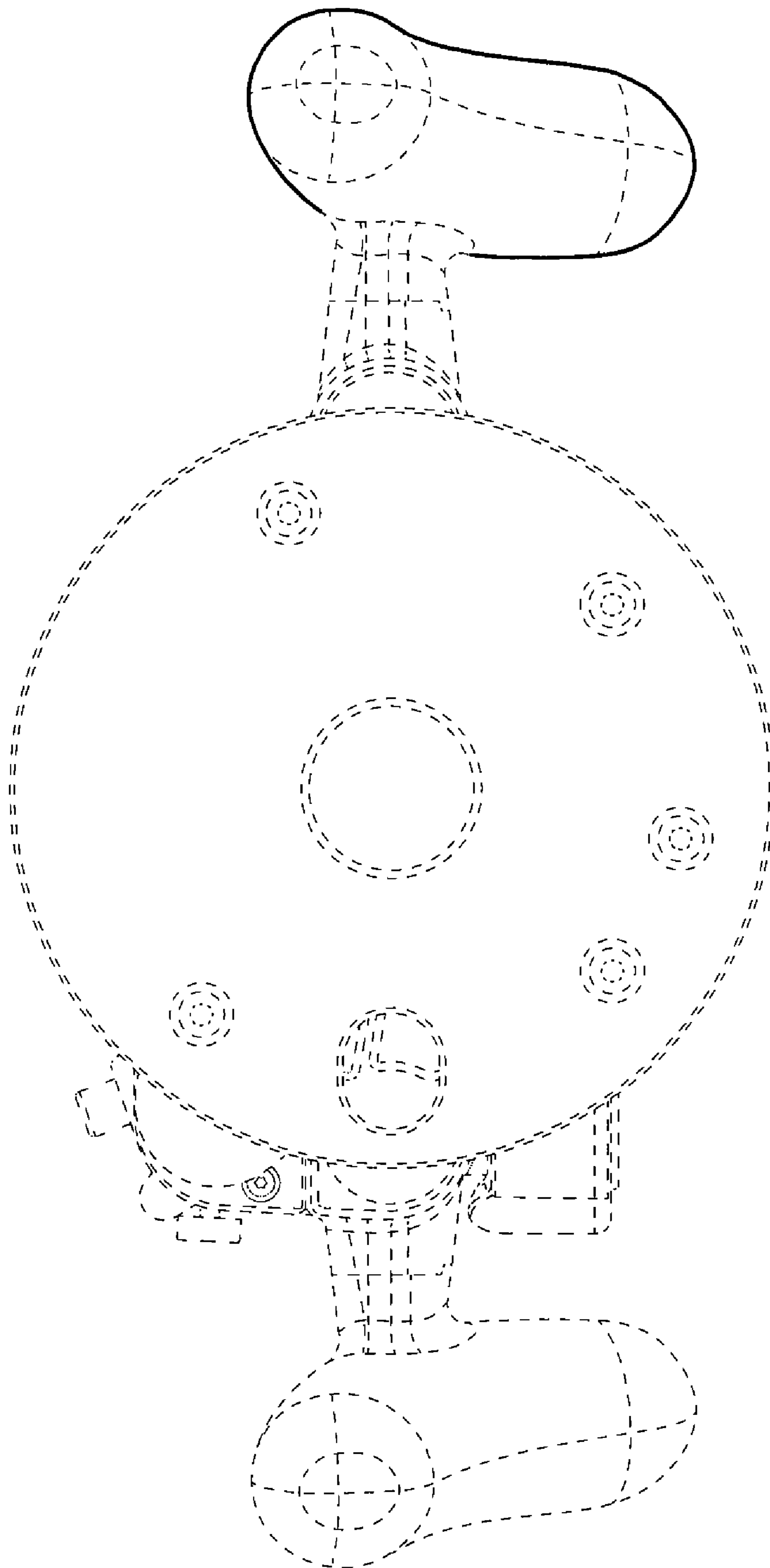
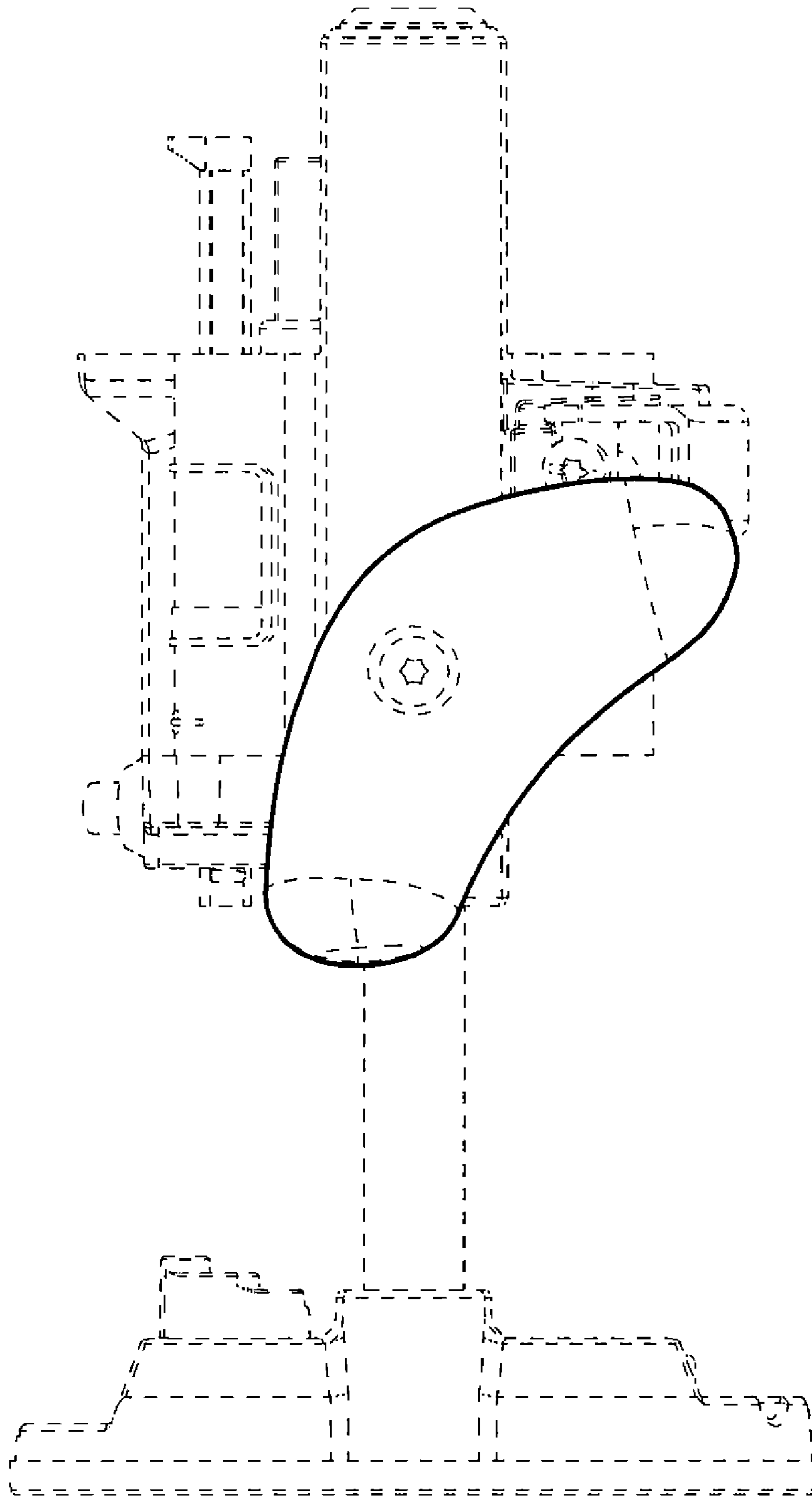
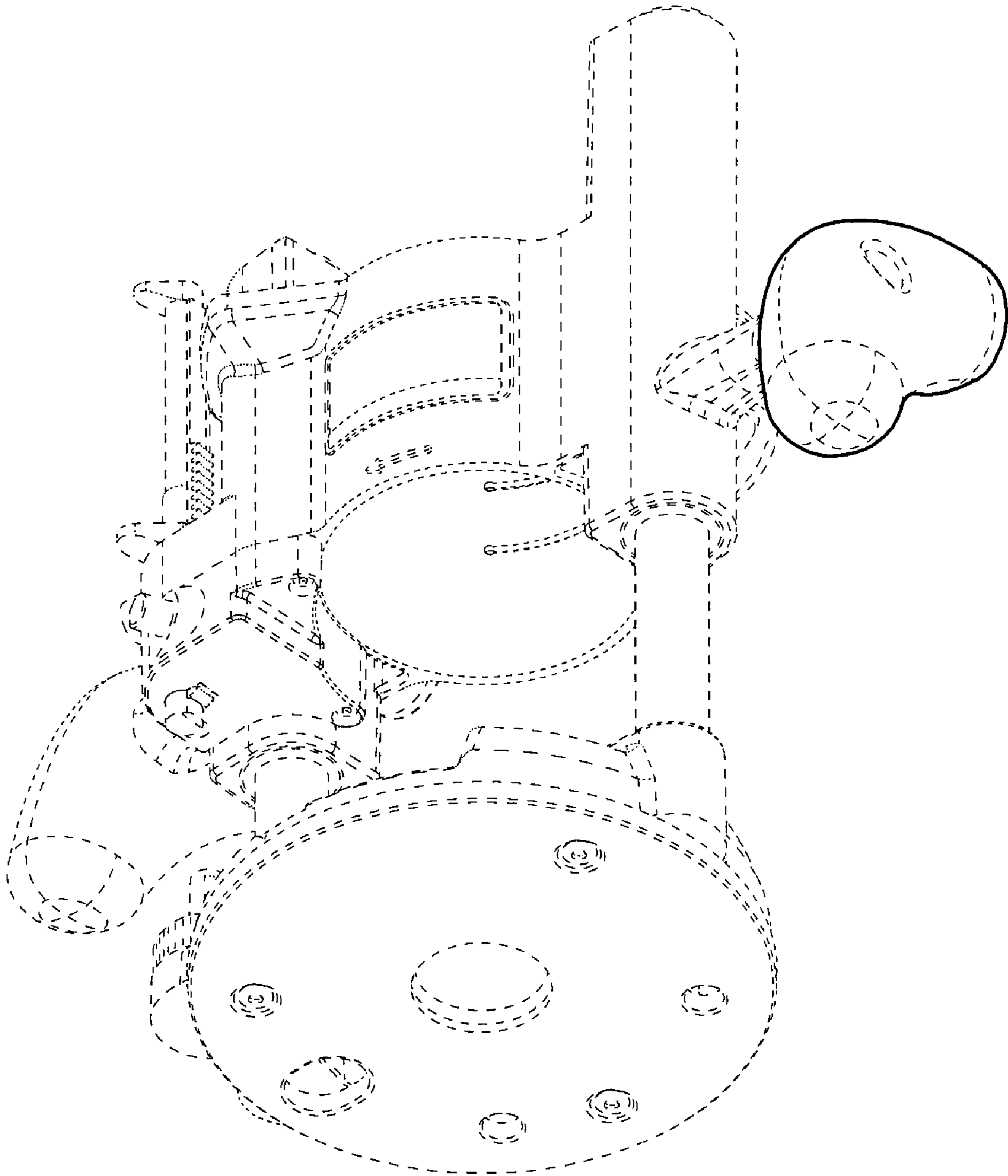


FIG. 5





**FIG. 6**



**FIG. 7**