



US00D611506S

(12) **United States Design Patent**
Loew et al.

(10) **Patent No.:** **US D611,506 S**
(45) **Date of Patent:** **** *Mar. 9, 2010**

(54) **ROLLER**

(75) Inventors: **Roland Loew**, Klein-Winternheim (DE);
Christian Berg, Völkenroth (DE);
Thomas Haubrich, Gödenroth (DE)

(73) Assignee: **Bomag GmbH**, Boppard (DE)

(**) Term: **14 Years**

(21) Appl. No.: **29/287,357**

(22) Filed: **Jul. 27, 2007**

(30) **Foreign Application Priority Data**

Jan. 29, 2007 (EM) 000660279-0002

(51) **LOC (9) Cl.** **15-03**

(52) **U.S. Cl.** **D15/20**

(58) **Field of Classification Search** D15/10,
D15/20, 22, 23; D12/14; 180/20, 89.12;
404/122, 132, 125, 90

See application file for complete search history.

(56) **References Cited**

U.S. PATENT DOCUMENTS

2,777,709	A *	1/1957	Tucker	280/104
D185,841	S *	8/1959	Schertzer	D15/20
D194,350	S *	1/1963	Peterson	D15/20
3,176,597	A *	4/1965	Seaman	404/117
D207,532	S *	5/1967	Garls	D15/20
4,260,280	A *	4/1981	Hirn et al.	404/122

D275,678	S *	9/1984	Mawhorr et al.	D15/20
4,661,011	A *	4/1987	Halim	404/124
5,177,415	A *	1/1993	Quibel et al.	318/128
D396,431	S *	7/1998	Lindgren et al.	D12/14
D396,727	S *	8/1998	Geier et al.	D15/20
6,742,960	B2 *	6/2004	Corcoran et al.	404/117
D516,094	S *	2/2006	Dotsch et al.	D15/20

* cited by examiner

Primary Examiner—Ian Simmons

Assistant Examiner—Mark A Goodwin

(74) *Attorney, Agent, or Firm*—Baker & Hostetler LLP

(57) **CLAIM**

The ornamental design for a roller, as shown and described.

DESCRIPTION

FIG. 1 is a front perspective view of a roller showing our new design;

FIG. 2 is a rear perspective view thereof;

FIG. 3 is a front view thereof;

FIG. 4 is a back view thereof;

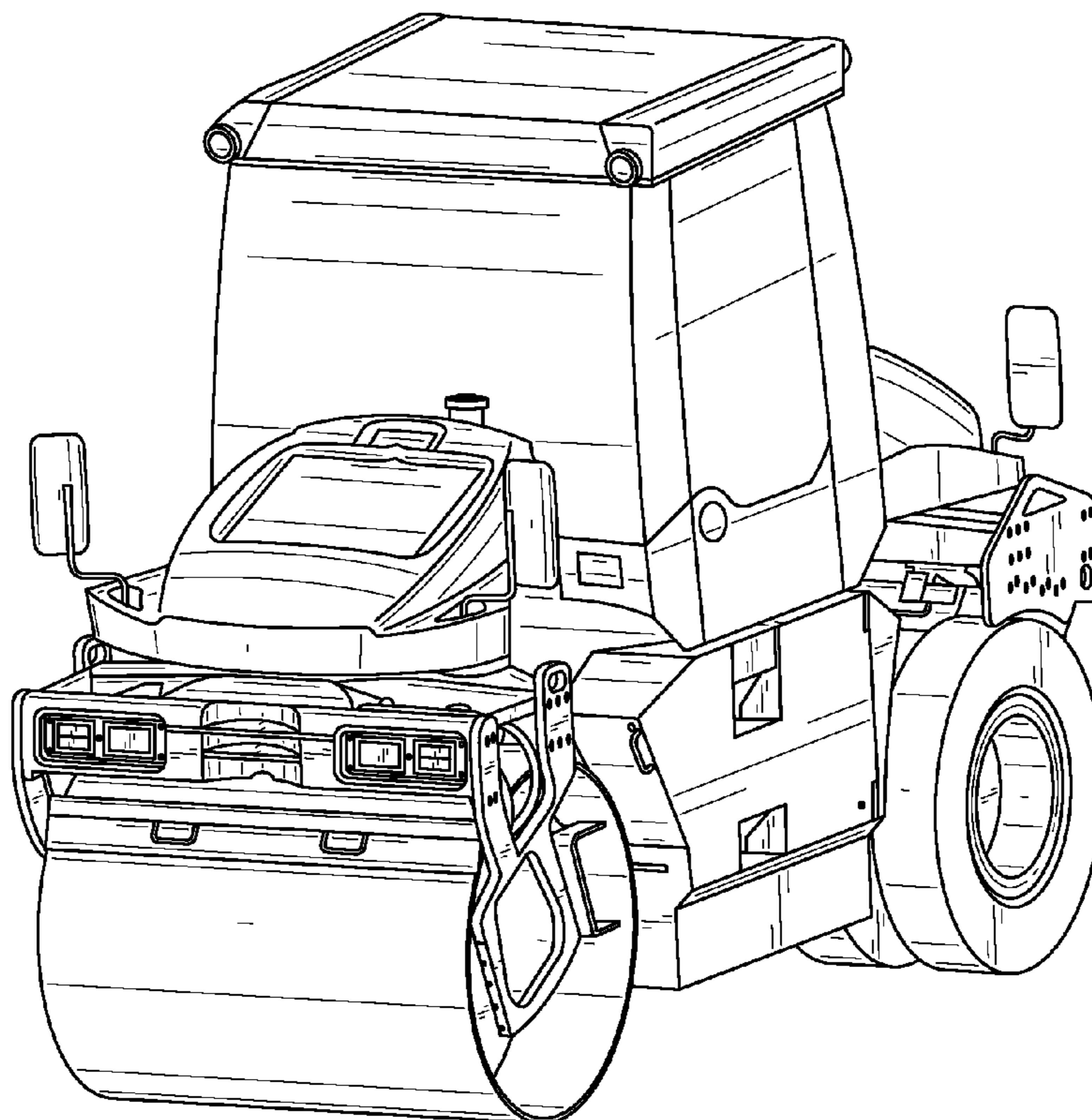
FIG. 5 is a left side view thereof;

FIG. 6 is a right side view thereof; and,

FIG. 7 is a top view thereof.

The portions of the roller shown in broken lines form no part of the claimed design.

1 Claim, 7 Drawing Sheets



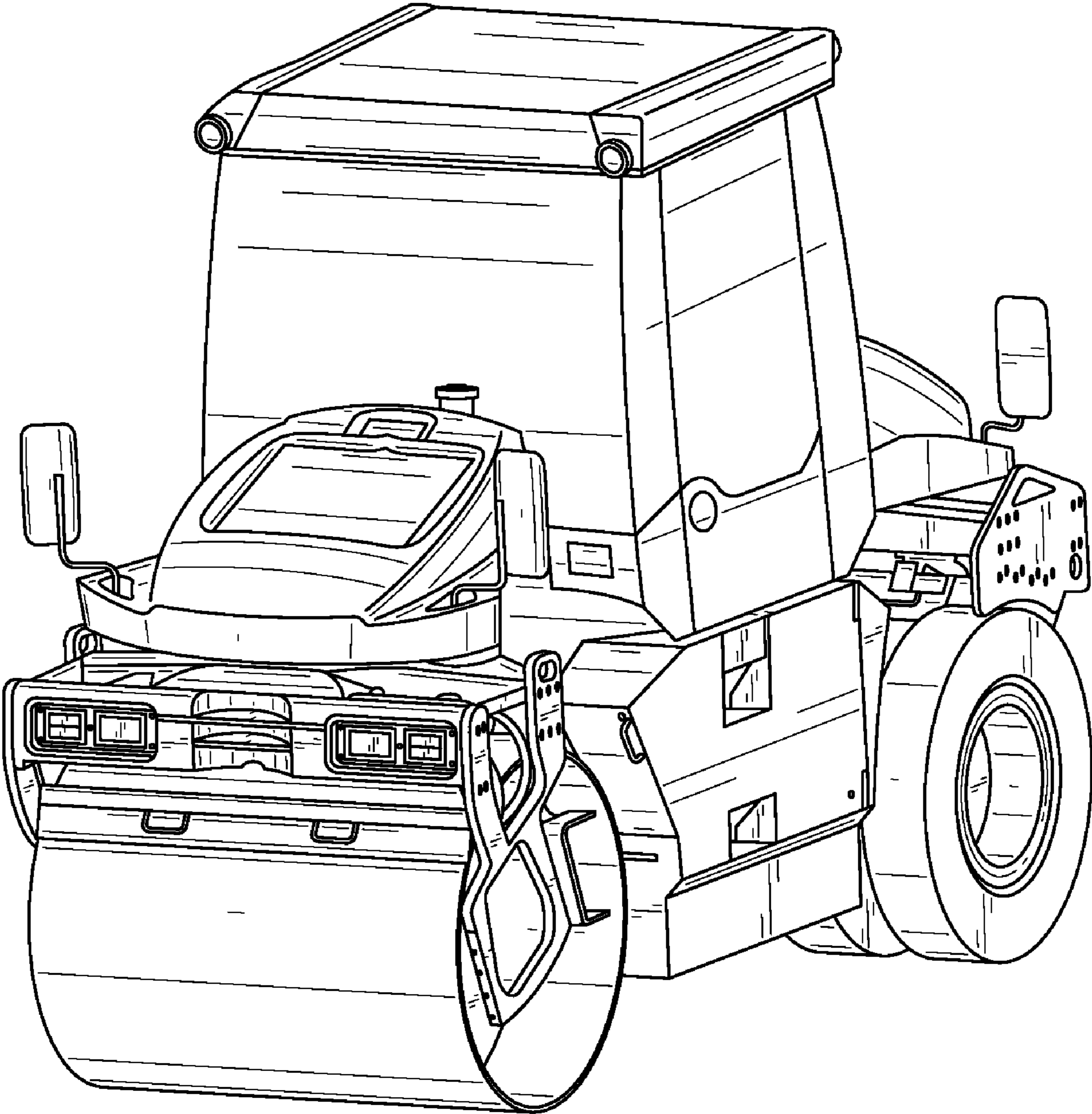


FIG. 1

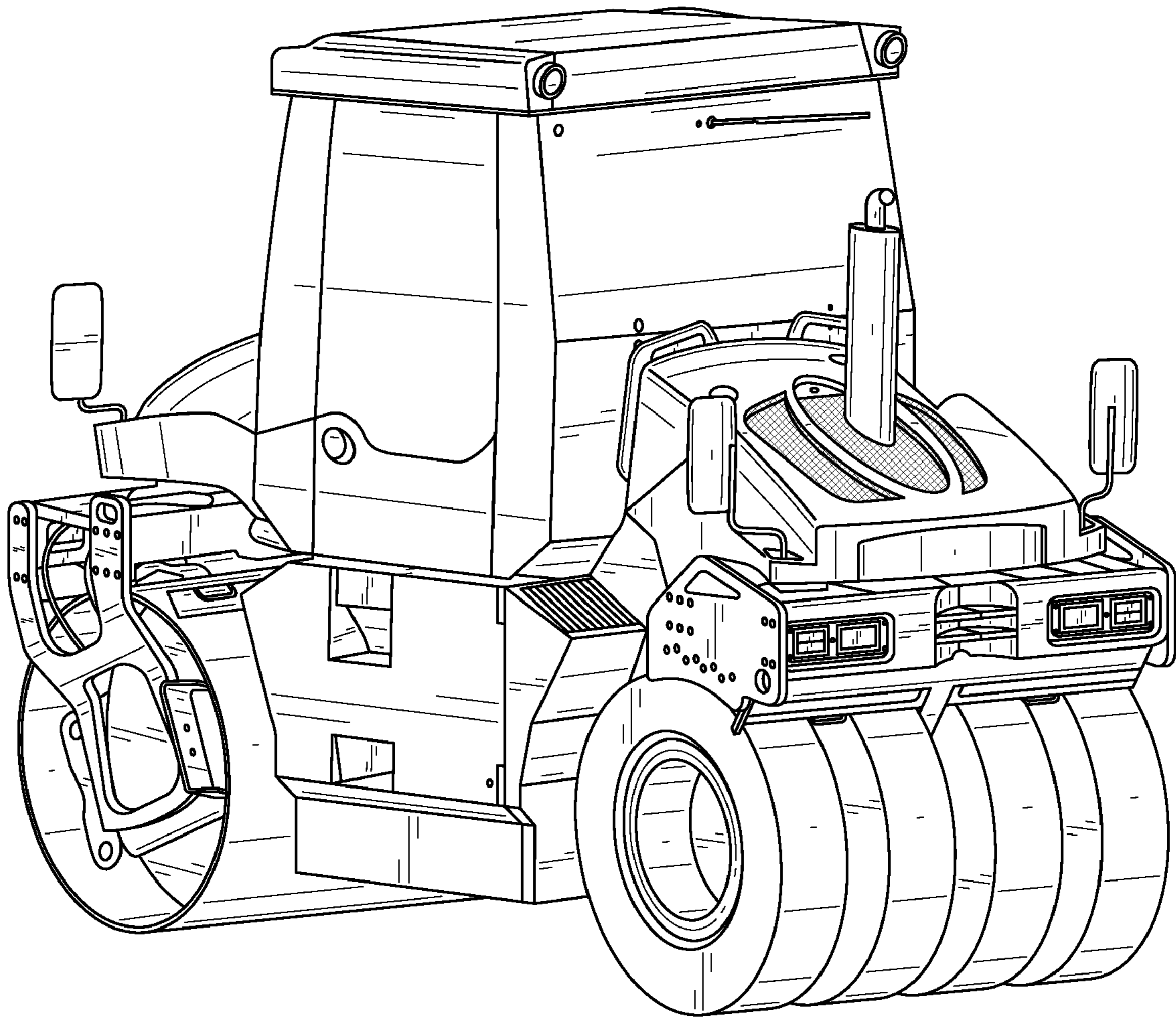


FIG. 2

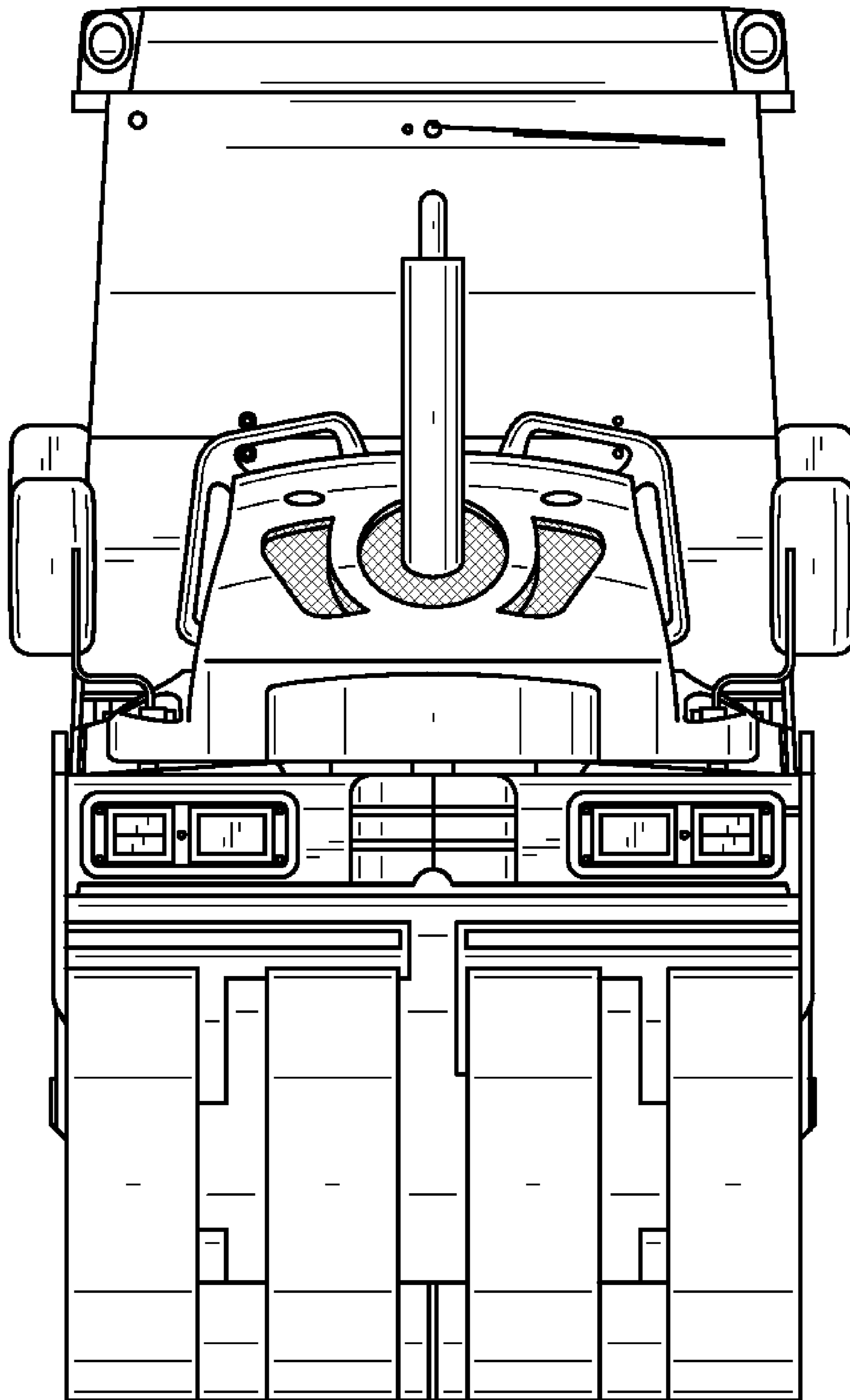


FIG. 4

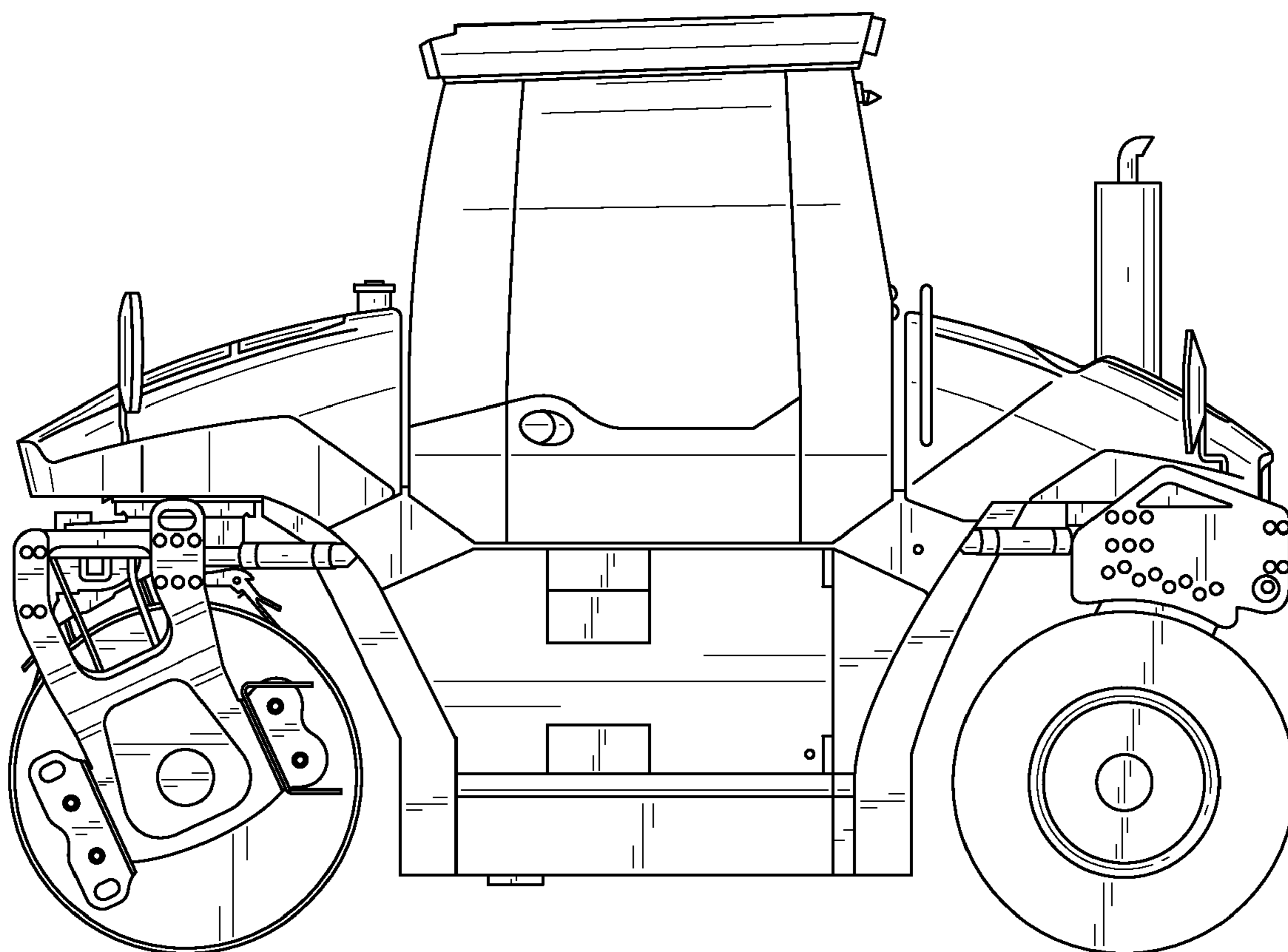


FIG. 5

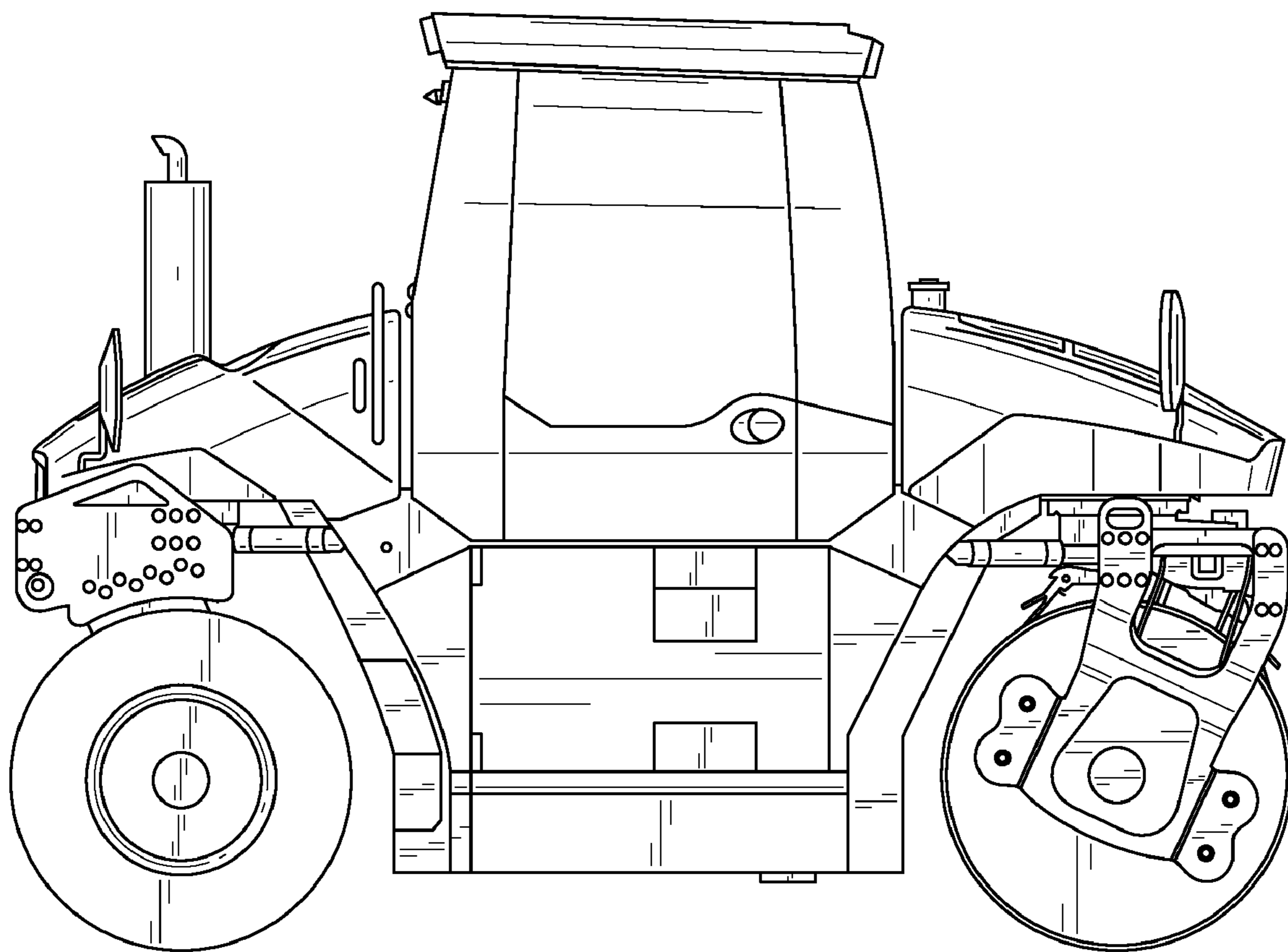


FIG. 6

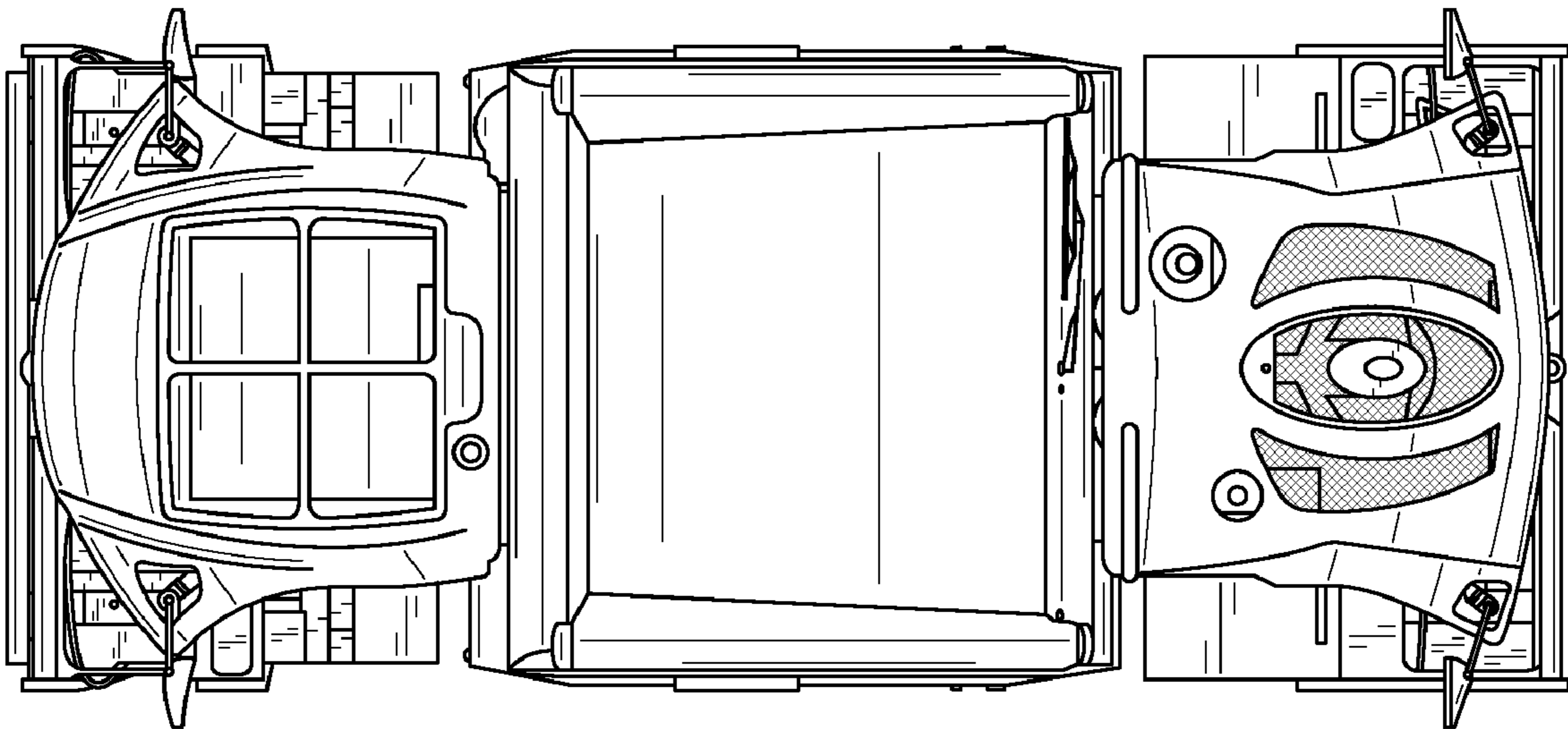


FIG. 7