



US00D611505S

(12) **United States Design Patent**
Loew et al.

(10) **Patent No.:** **US D611,505 S**
(45) **Date of Patent:** **** *Mar. 9, 2010**

(54) **TANDEM ROLLER**

(75) Inventors: **Roland Loew**, Klein-Wintemheim (DE);
Christian Berg, Völkenroth (DE);
Thomas Haubrich, Gödenroth (DE)

(73) Assignee: **Bomag GmbH**, Boppard (DE)

(**) Term: **14 Years**

(21) Appl. No.: **29/287,356**

(22) Filed: **Jul. 27, 2007**

(30) **Foreign Application Priority Data**

Jan. 29, 2007 (EM) 000660279-0001

(51) **LOC (9) Cl.** **15-03**

(52) **U.S. Cl.** **D15/20**

(58) **Field of Classification Search** D15/10,
D15/20, 22, 23; D12/14; 280/104, 124.111;
180/20, 89.12; 404/122, 132, 125, 90
See application file for complete search history.

(56) **References Cited**

U.S. PATENT DOCUMENTS

2,777,709 A * 1/1957 Tucker 280/104
D185,841 S * 8/1959 Schertzer D15/20
D194,350 S * 1/1963 Peterson D15/20
3,176,597 A * 4/1965 Seaman 404/117
D207,532 S * 5/1967 Garls D15/20

4,260,280 A * 4/1981 Hirn et al. 404/122
D275,678 S * 9/1984 Mawhorr et al. D15/20
4,661,011 A * 4/1987 Halim 404/124
5,177,415 A * 1/1993 Quibel et al. 318/128
D396,431 S * 7/1998 Lindgren et al. D12/14
D396,727 S * 8/1998 Geier et al. D15/20
6,742,960 B2 * 6/2004 Corcoran et al. 404/117
D516,094 S * 2/2006 Dotsch et al. D15/20

* cited by examiner

Primary Examiner—Ian Simmons

Assistant Examiner—Mark A Goodwin

(74) *Attorney, Agent, or Firm*—Baker & Hostetler LLP

(57) **CLAIM**

The ornamental design for a tandem roller, as shown and described.

DESCRIPTION

FIG. 1 is a front perspective view of a tandem roller showing our new design;

FIG. 2 is a rear perspective view thereof;

FIG. 3 is a front view thereof;

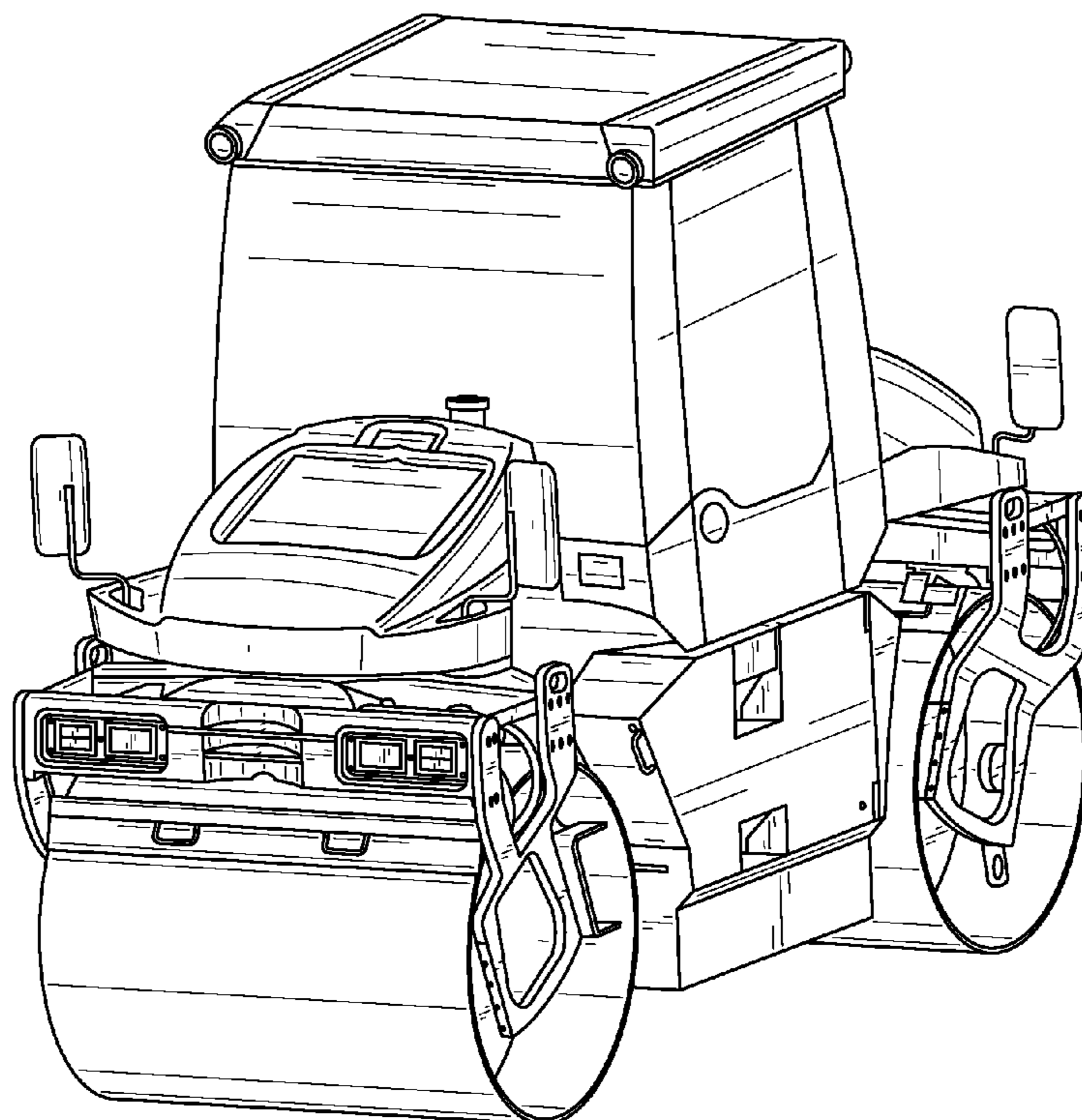
FIG. 4 is a back view thereof;

FIG. 5 is a left side view thereof;

FIG. 6 is a right side view thereof; and,

FIG. 7 is a top view thereof.

1 Claim, 7 Drawing Sheets



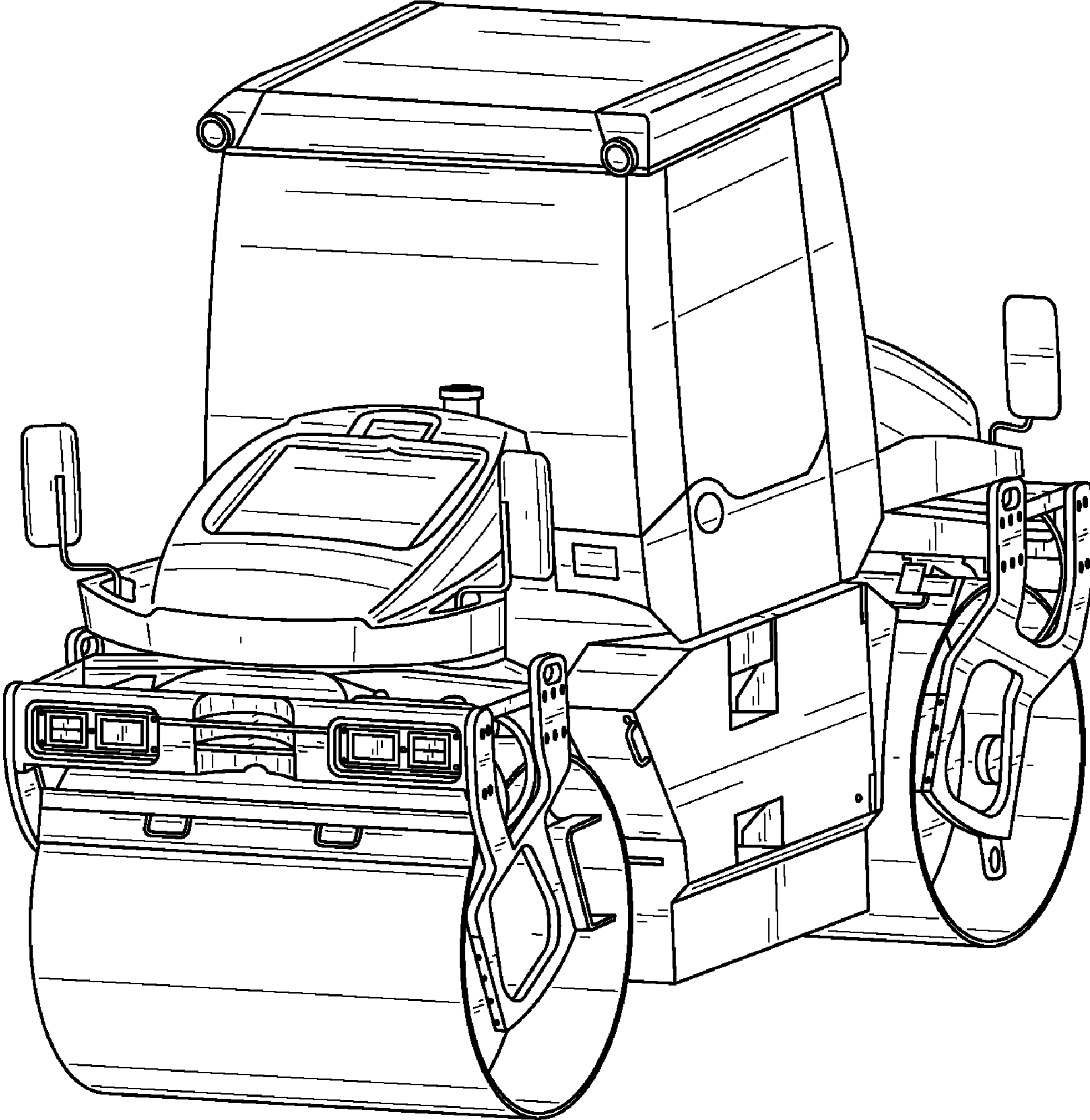


FIG. 1

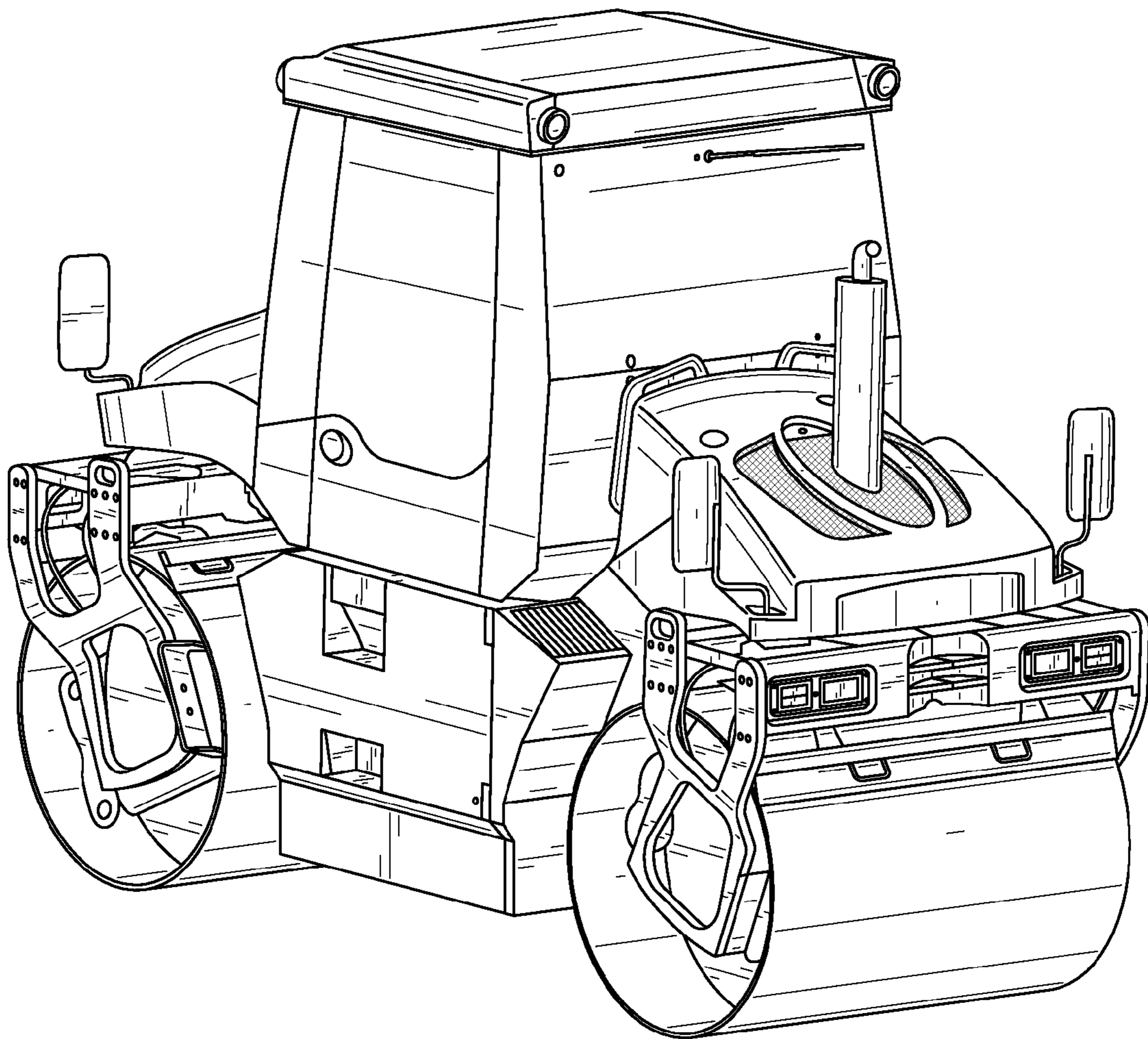


FIG. 2

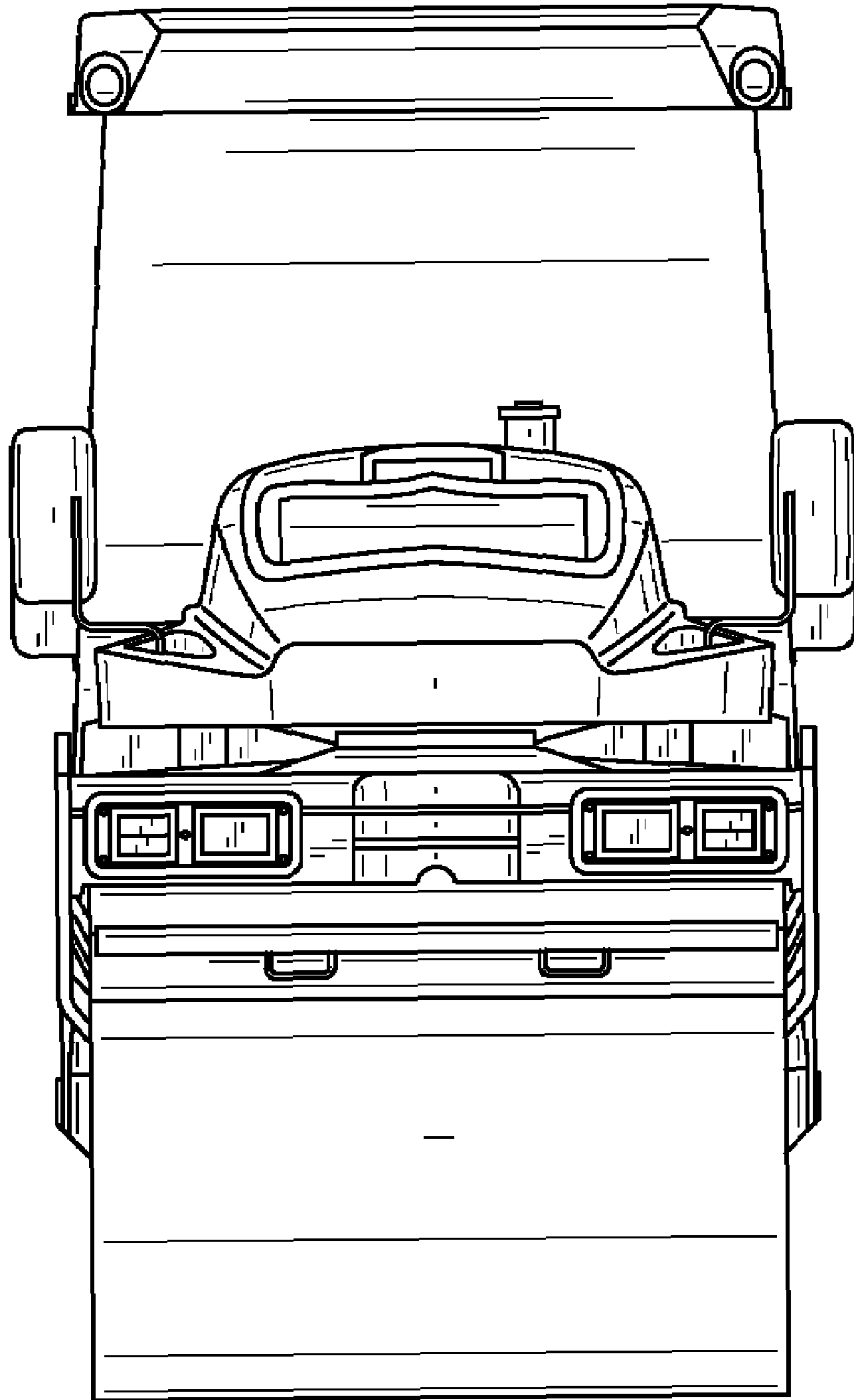


FIG. 3

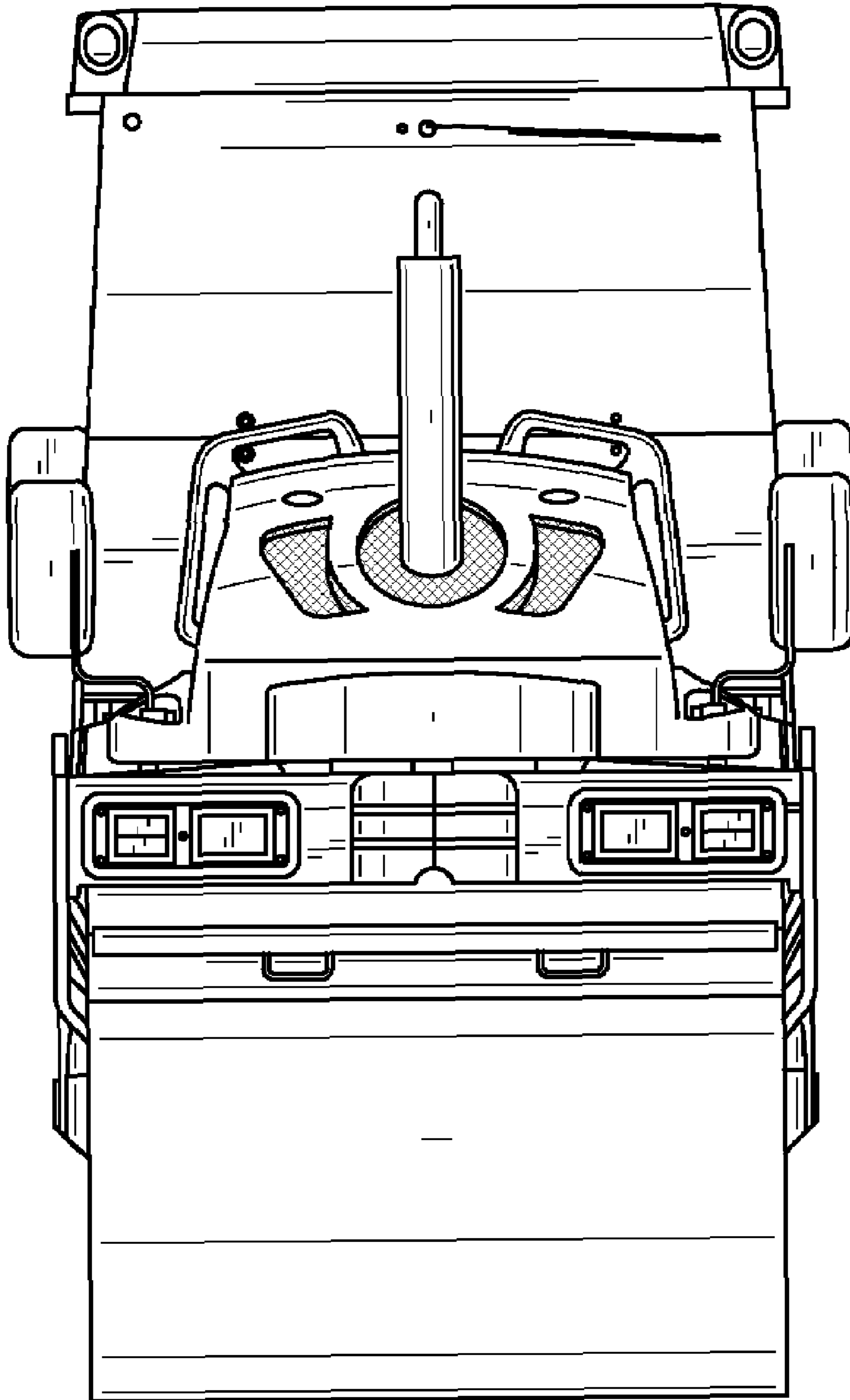


FIG. 4

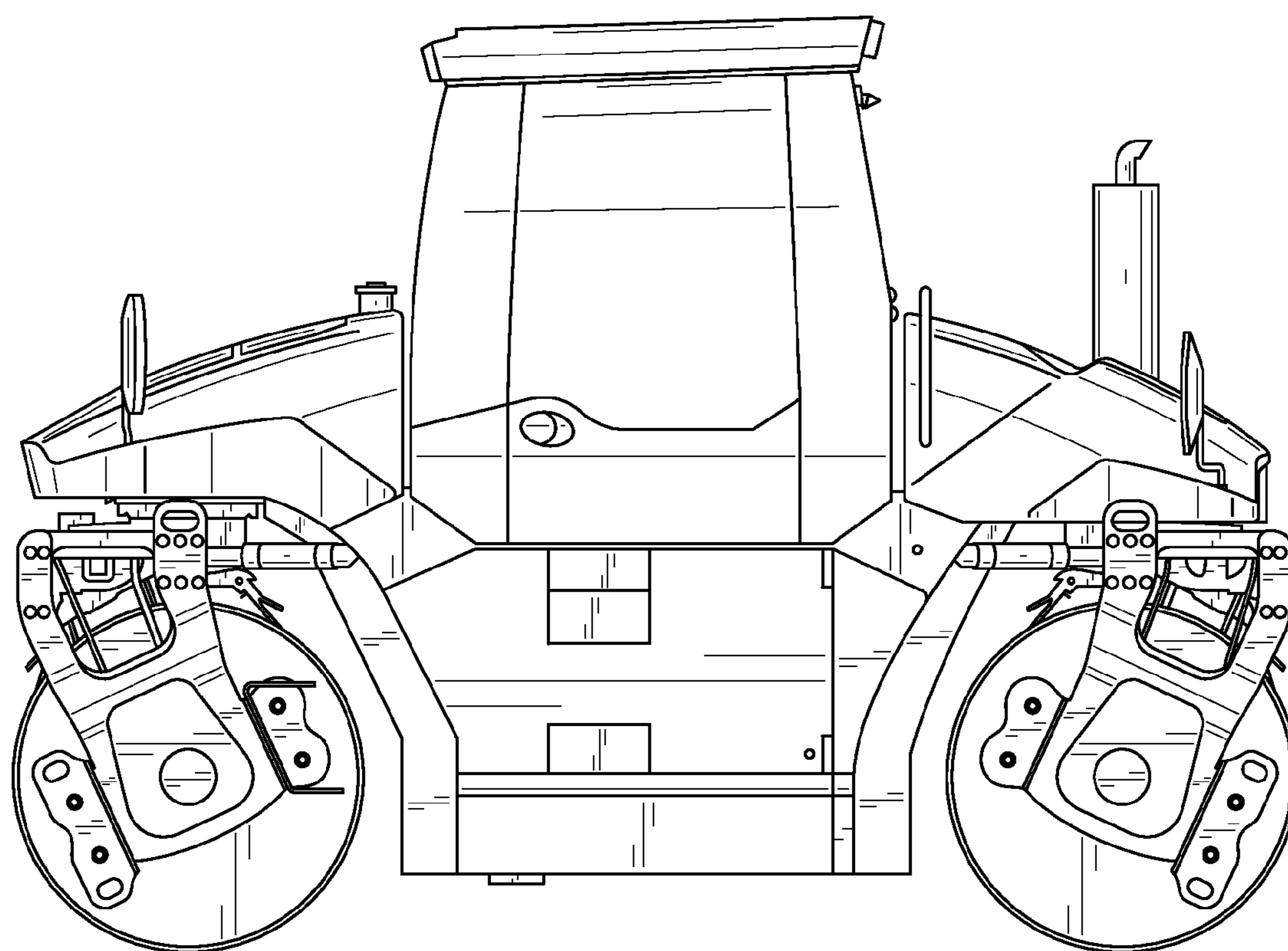


FIG. 5

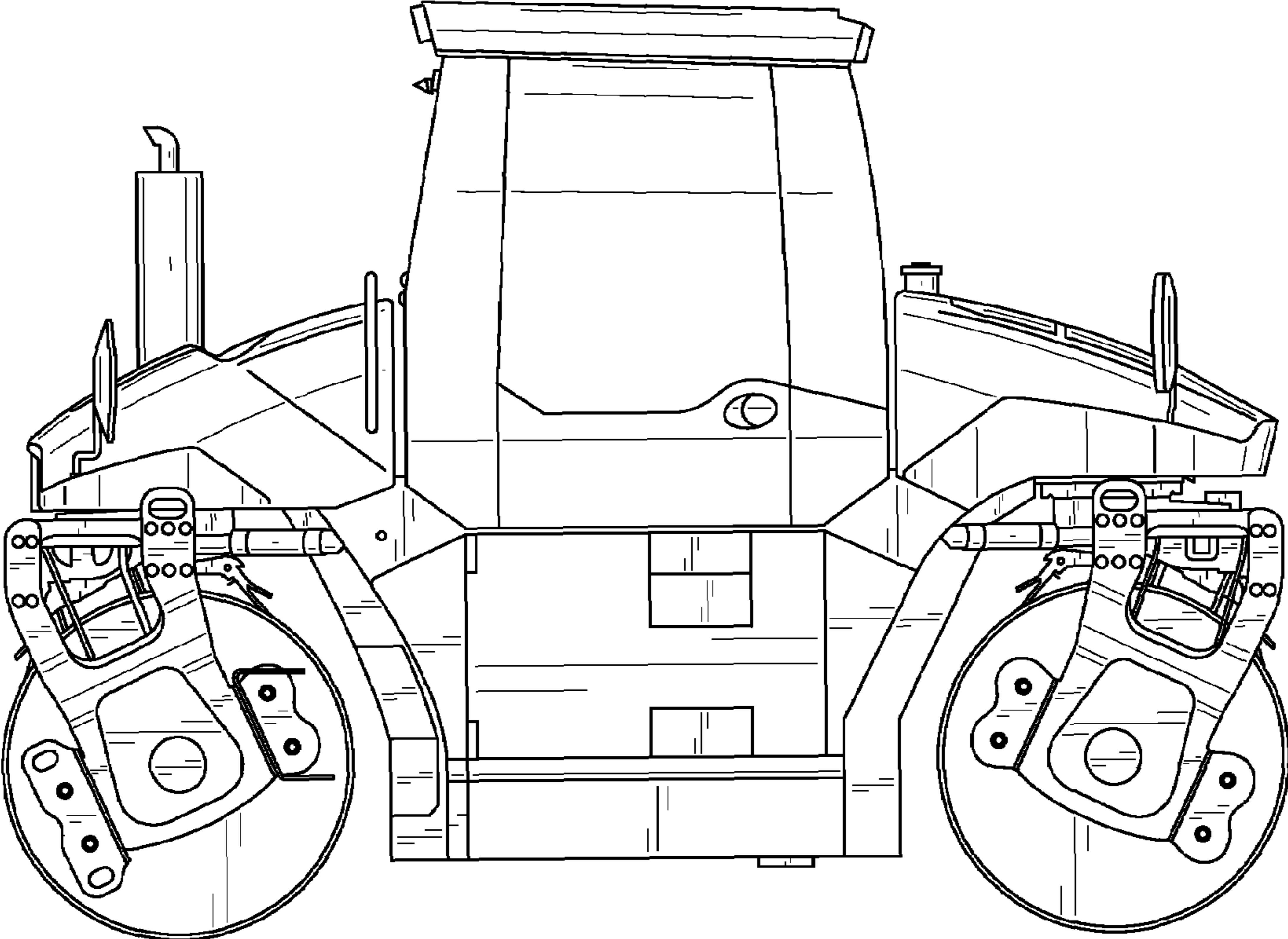


FIG. 6

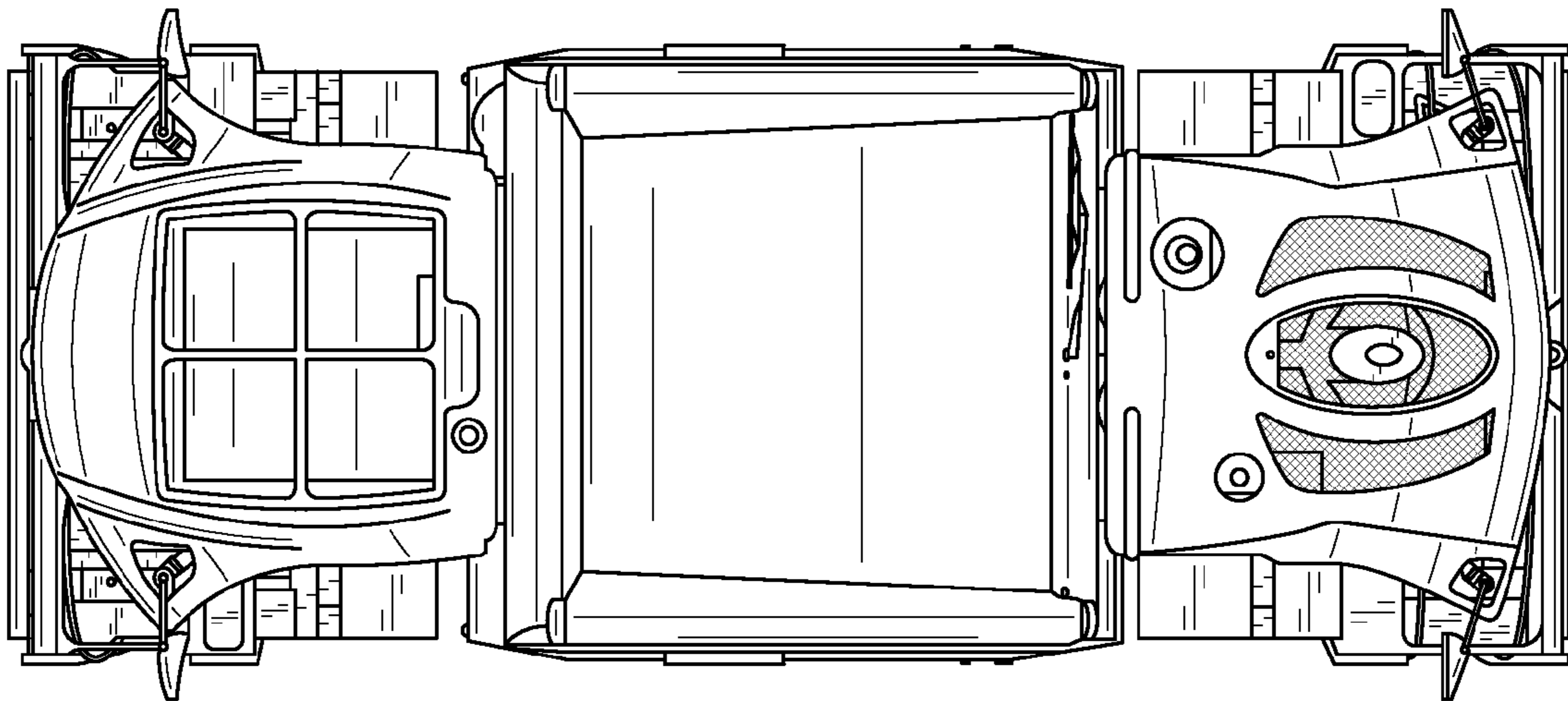


FIG. 7