



US00D611504S

(12) **United States Design Patent**
Ton

(10) **Patent No.:** **US D611,504 S**
(45) **Date of Patent:** **** Mar. 9, 2010**

(54) **PUMP COVER**

(76) Inventor: **Quy That Ton**, 3131 Dalrymple Dr.,
Baton Rouge, LA (US) 70802

(**) Term: **14 Years**

(21) Appl. No.: **29/343,310**

(22) Filed: **Sep. 10, 2009**

Related U.S. Application Data

(63) Continuation of application No. 29/321,005, filed on
Jul. 9, 2008, now Pat. No. Des. 602,501.

(51) **LOC (9) Cl.** **15-02**

(52) **U.S. Cl.** **D15/7**

(58) **Field of Classification Search** D15/7-9;
D23/231, 232, 225; 417/410.1, 359, 415-416,
417/234, 321, 265, 405
See application file for complete search history.

(56) **References Cited**

U.S. PATENT DOCUMENTS

D494,192 S * 8/2004 Hirakawa et al. D15/7

D507,578 S * 7/2005 Hirakawa et al. D15/7
D520,026 S * 5/2006 Hulks D15/9
D548,751 S * 8/2007 Snider D15/7
D575,802 S * 8/2008 Chu D15/9
D589,060 S * 3/2009 Metcalfe D15/7

* cited by examiner

Primary Examiner—R. Seifert

(74) *Attorney, Agent, or Firm*—Duane Morris LLP

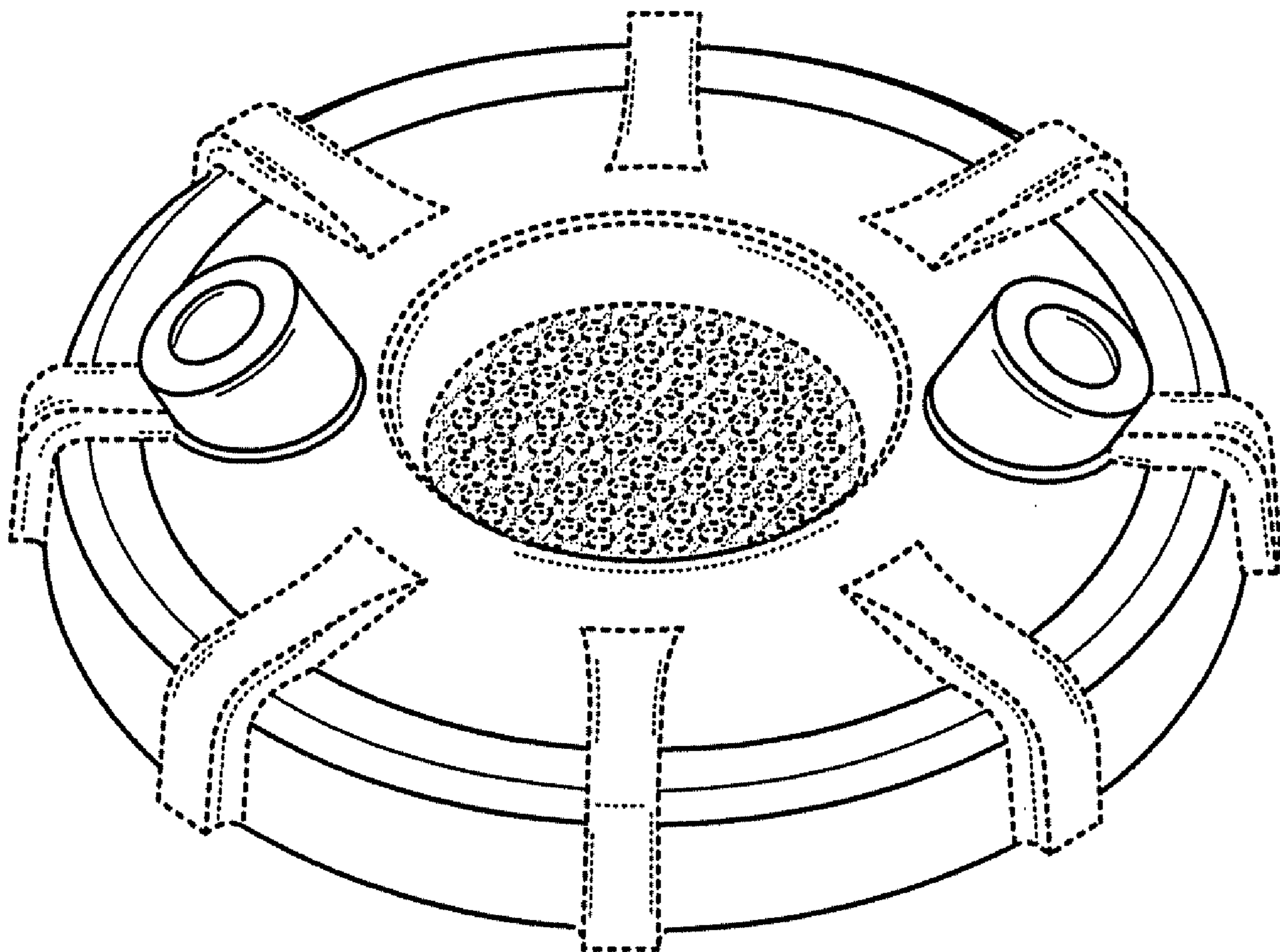
(57) **CLAIM**

The ornamental design for a pump cover, as shown and
described.

DESCRIPTION

FIG. 1 is a top front view of my new pump cover;
FIG. 2 is a top view showing the top of the pump cover, such
as that shown in FIG. 1; and,
FIG. 3 is a bottom front view showing the bottom of the pump
cover, such as that shown in FIG. 1.

1 Claim, 2 Drawing Sheets



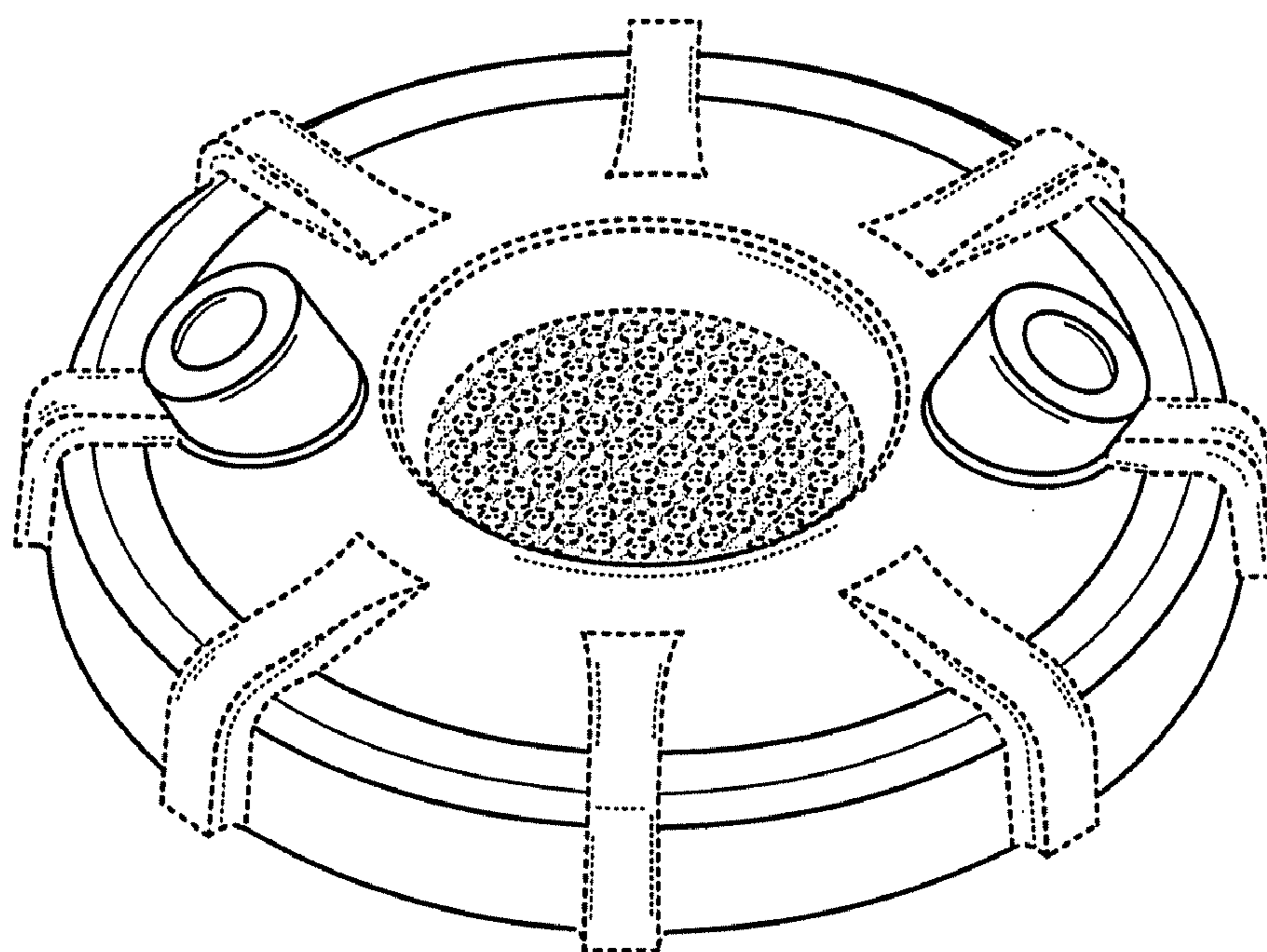


Fig. 1

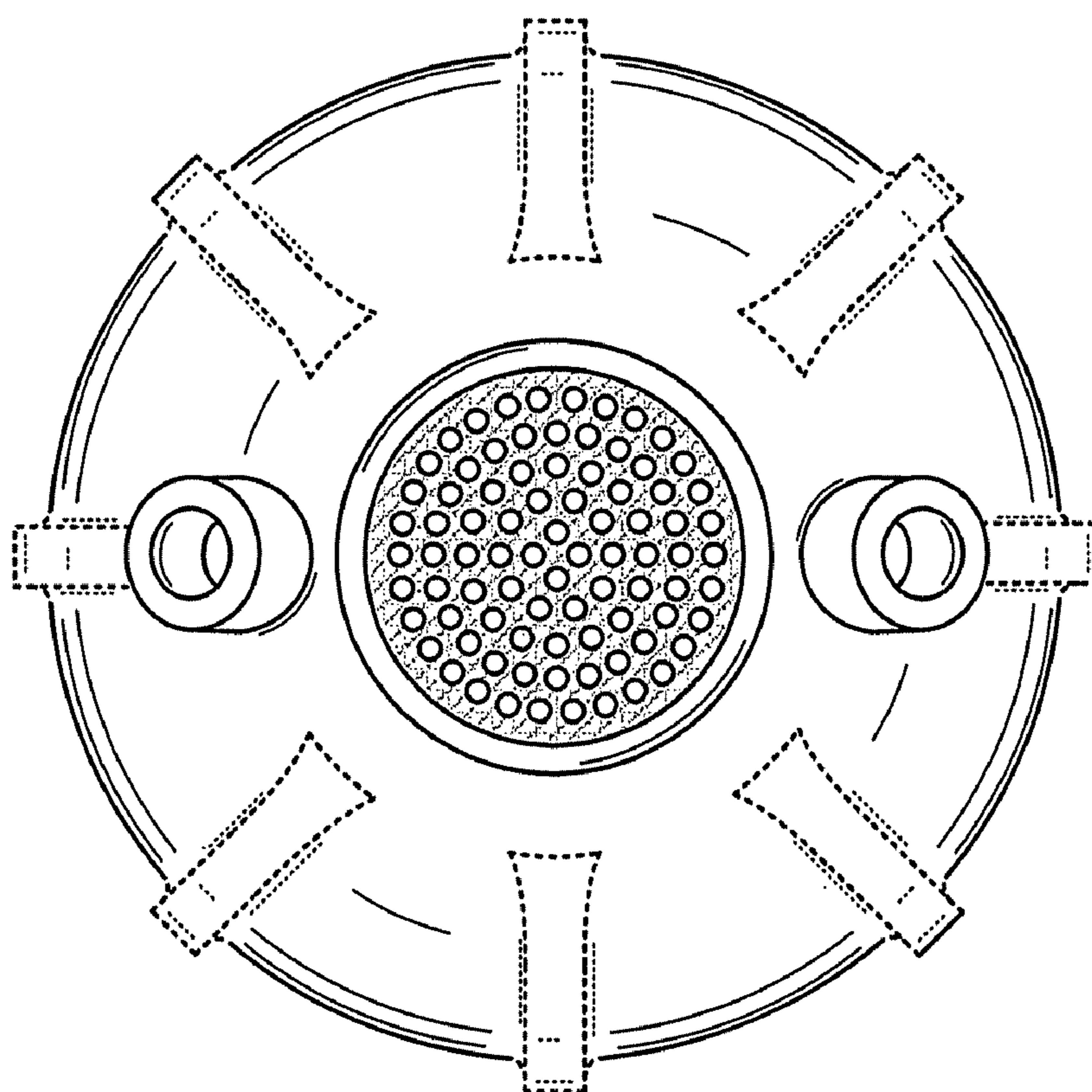


Fig. 2

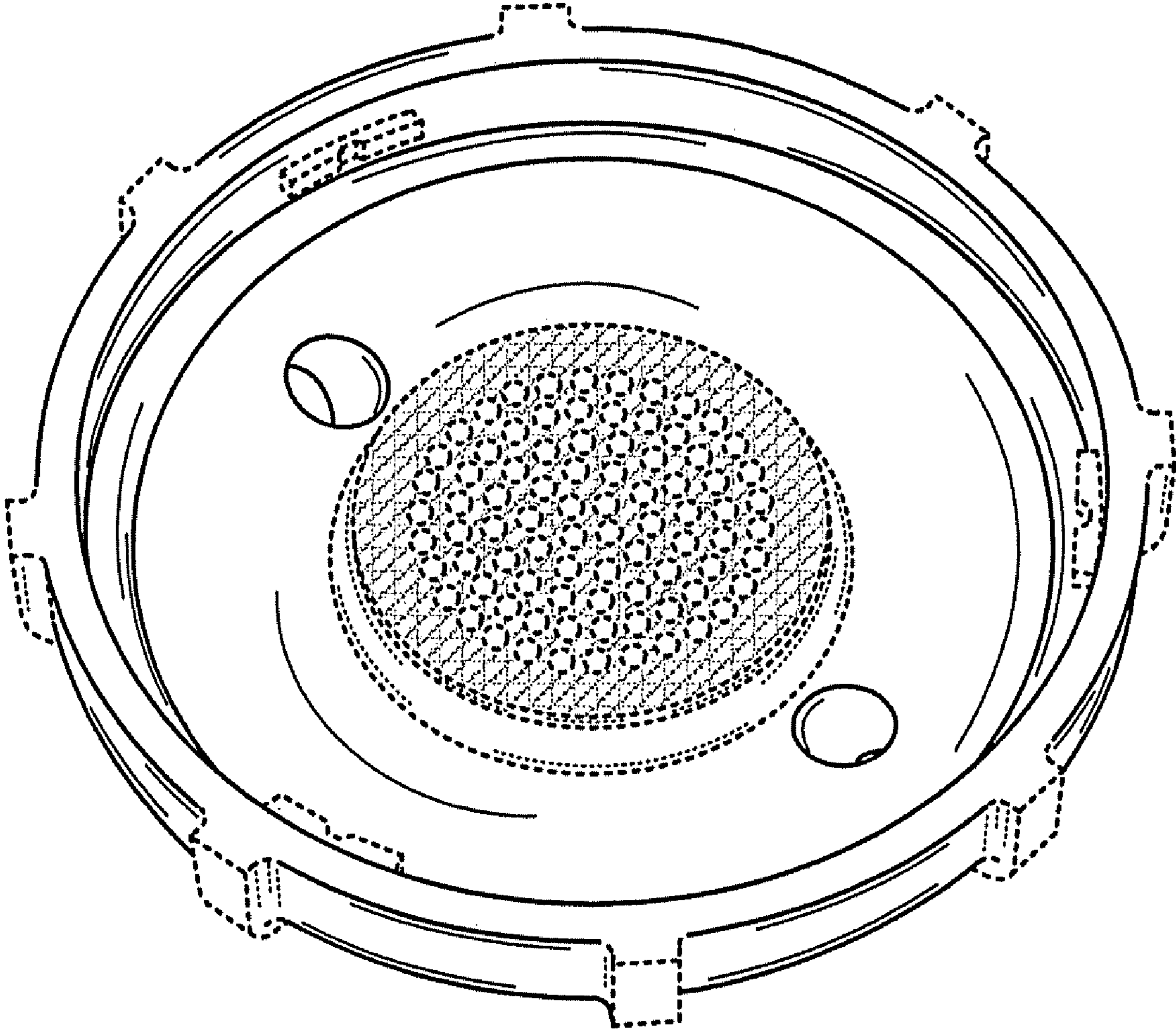


Fig. 3