



US00D611480S

(12) **United States Design Patent**
Hau et al.

(10) **Patent No.:** **US D611,480 S**
(45) **Date of Patent:** **** Mar. 9, 2010**

- (54) **LARGE ULTRA LOW PROFILE CANTILEVER**
- (75) Inventors: **Flavio Ly Hau**, Phoenix, AZ (US); **Brett Stenhouse**, Phoenix, AZ (US); **Don Westgaard**, Cave Creek, AZ (US); **Tom Muday**, Scottsdale, AZ (US); **Chris Buttenob**, Scottsdale, AZ (US)
- (73) Assignee: **Omnimount Systems, Inc.**, Phoenix, AZ (US)

(**) Term: **14 Years**

(21) Appl. No.: **29/324,618**

(22) Filed: **Sep. 16, 2008**

- (51) **LOC (9) Cl.** **08-07**
- (52) **U.S. Cl.** **D14/452**
- (58) **Field of Classification Search** D14/447, D14/448, 451, 452, 457, 459, 460, 461, 239, D14/251, 253, 224.1, 125, 126, 432, 434, D14/439, 371-382; D8/354, 363, 373, 380; D19/90, 91; D18/4.4, 4.5, 4.6, 12; D6/300, D6/310, 312, 313, 314, 449, 512; D13/139.5, D13/108; D21/333; D10/74; D12/415; 248/917-924, 675, 676, 678, 447, 122.1, 248/176.1, 176.3, 205.5, 205.8, 324; 312/323.3; 379/446, 454, 455; 361/679.02, 679.06, 361/679.07, 679.21, 679.22, 679.24, 679.26, 361/679.3, 679.46, 679.49, 679.55, 679.56, 361/679.58, 679.6, 693, 697, 809, 810, 825, 361/827; D16/242

See application file for complete search history.

(56) **References Cited**
U.S. PATENT DOCUMENTS

D505,858 S * 6/2005 O'Keene D8/355

- D538,633 S * 3/2007 Ly Hau et al. D8/363
- D539,127 S * 3/2007 Ly Hau et al. D8/373
- D558,561 S * 1/2008 Ciungan D8/363
- D558,562 S * 1/2008 Ciungan et al. D8/363
- D558,563 S * 1/2008 Ciungan D8/363
- D559,087 S * 1/2008 Ciungan D8/363
- D559,088 S * 1/2008 Ciungan D8/363
- D569,381 S * 5/2008 Sculler et al. D14/452
- 7,448,584 B2 * 11/2008 Chen et al. 248/278.1
- D581,916 S * 12/2008 Sculler et al. D14/239
- 2005/0127253 A1 * 6/2005 Kim 248/176.1
- 2008/0192418 A1 * 8/2008 Zambelli et al. 361/681

* cited by examiner

Primary Examiner—Jennifer Rivard
Assistant Examiner—Angela J Lee
 (74) *Attorney, Agent, or Firm*—Hogan & Hartson LLP

(57) **CLAIM**

The ornamental design for a large ultra low profile cantilever, as shown and described.

DESCRIPTION

FIG. 1 is a perspective view in an extended position of the large ultra low profile cantilever.

FIG. 2 is a side view in the extended position.

FIG. 3 is a front view in the extended position.

FIG. 4 is a top view in the extended position.

FIG. 5 is a perspective view of the large ultra low profile cantilever in a retracted position.

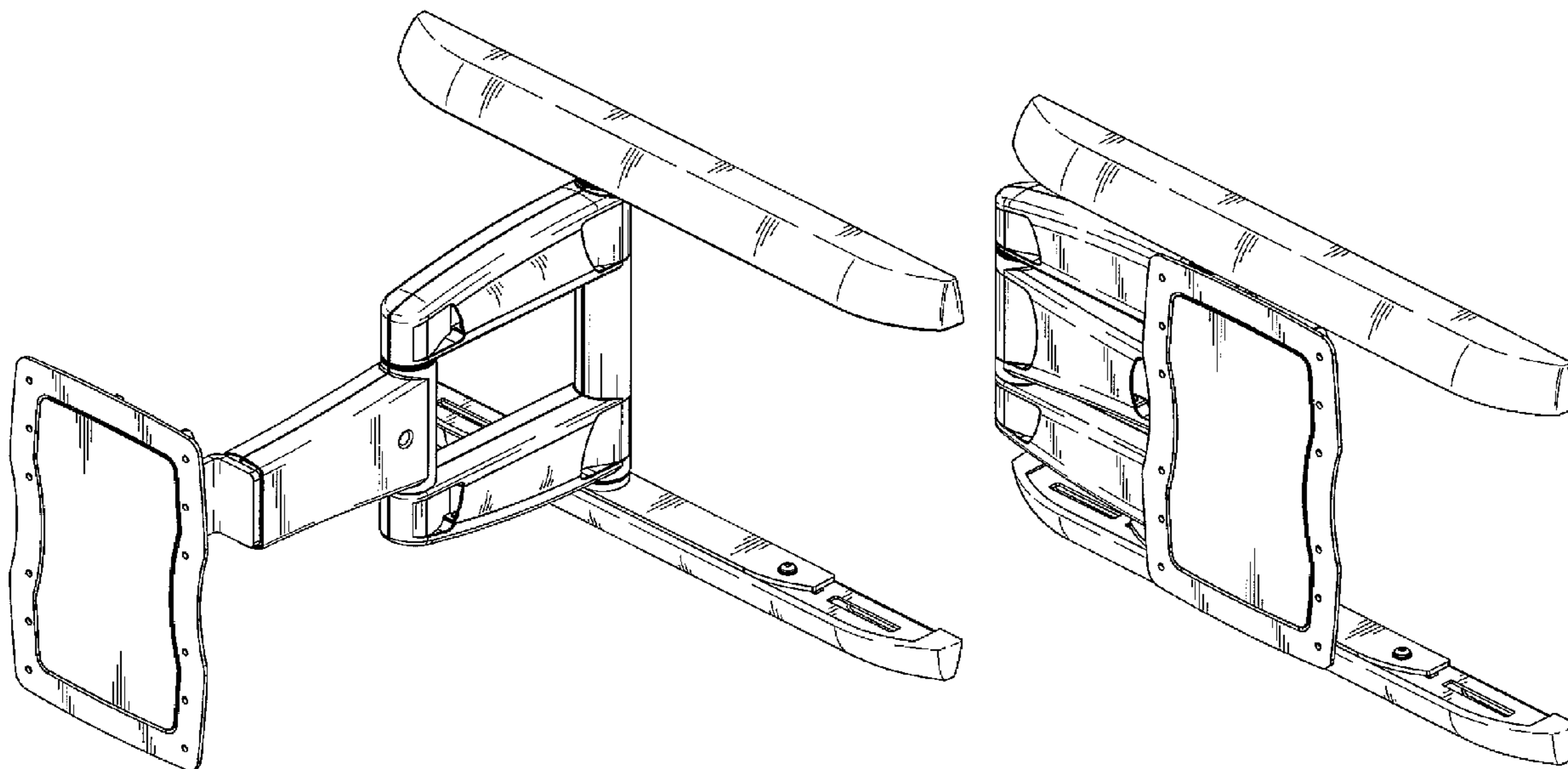
FIG. 6 is a side view in the retracted position.

FIG. 7 is a front view in the retracted position; and,

FIG. 8 is a top view in the retracted position.

The portions of the large ultra low profile cantilever shown in broken lines form no part of the claimed design.

1 Claim, 5 Drawing Sheets



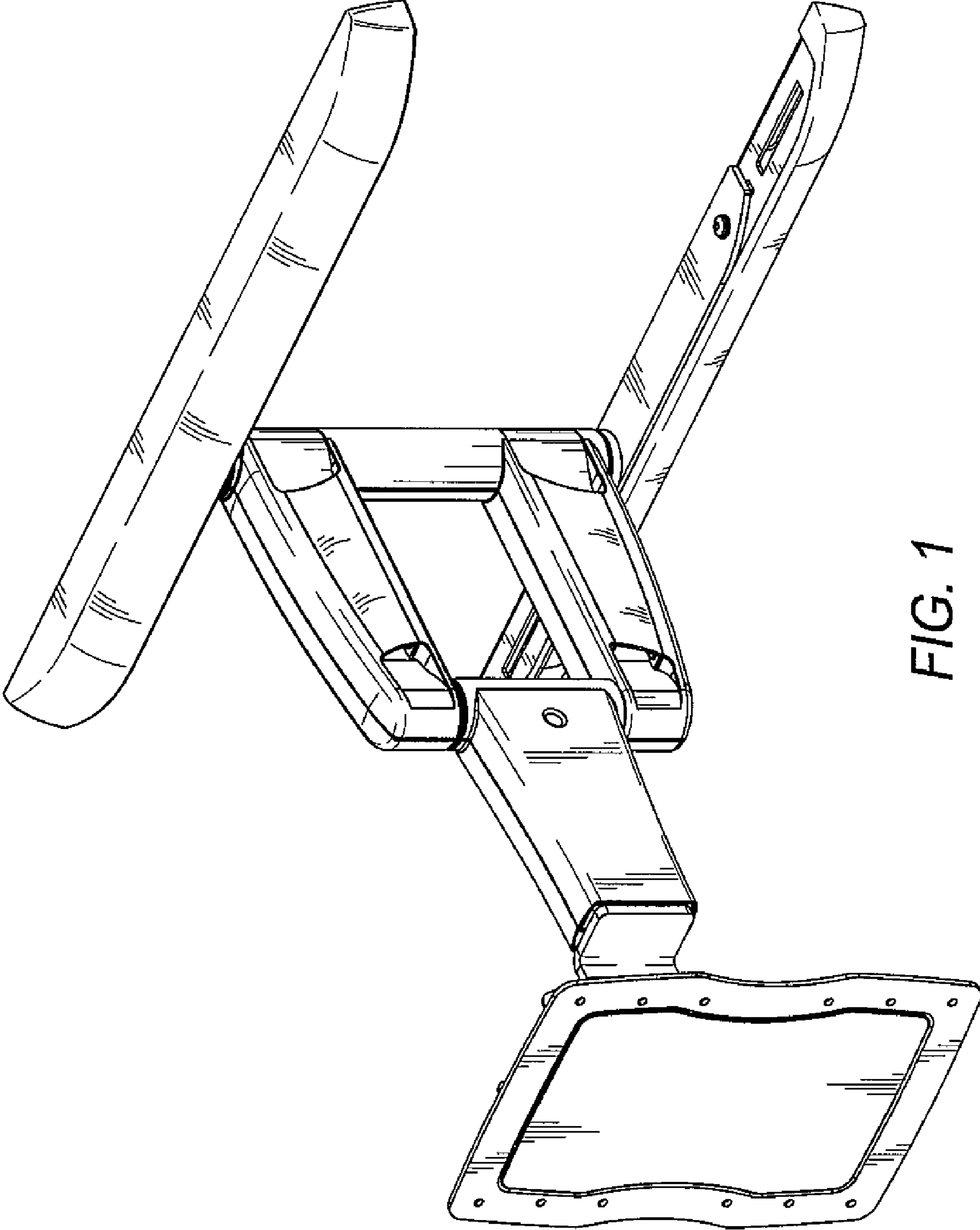


FIG. 1

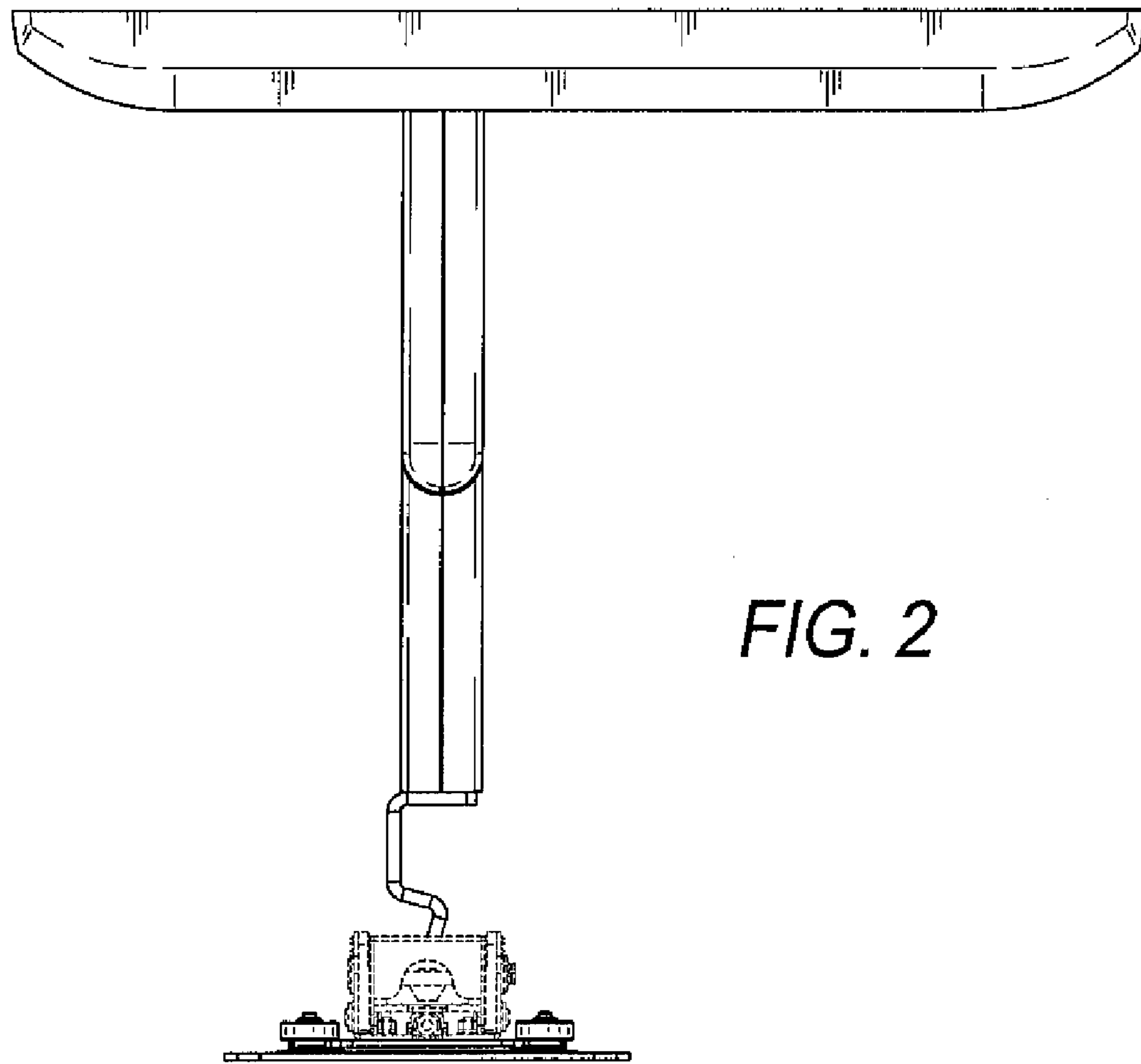


FIG. 2

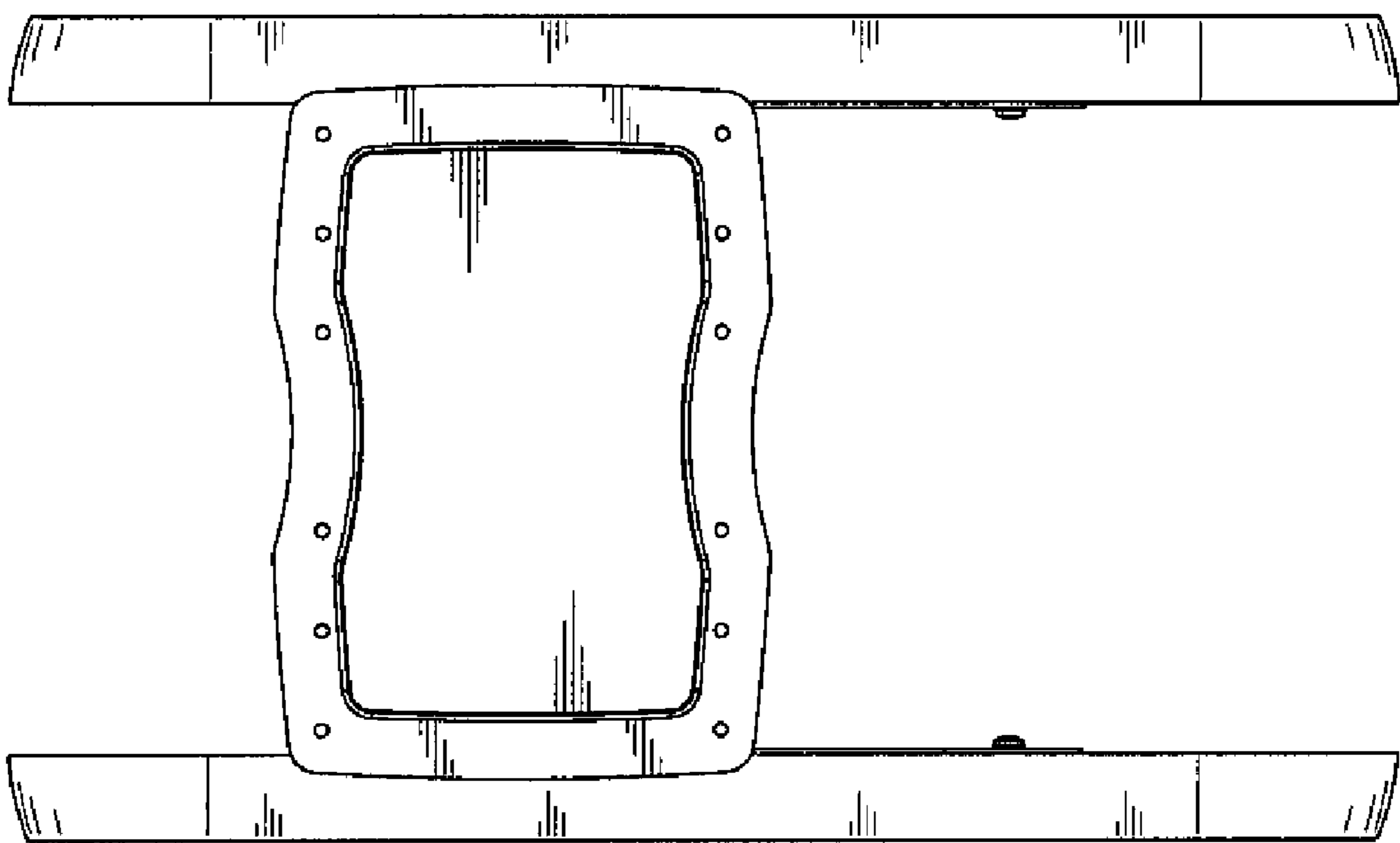


FIG. 3

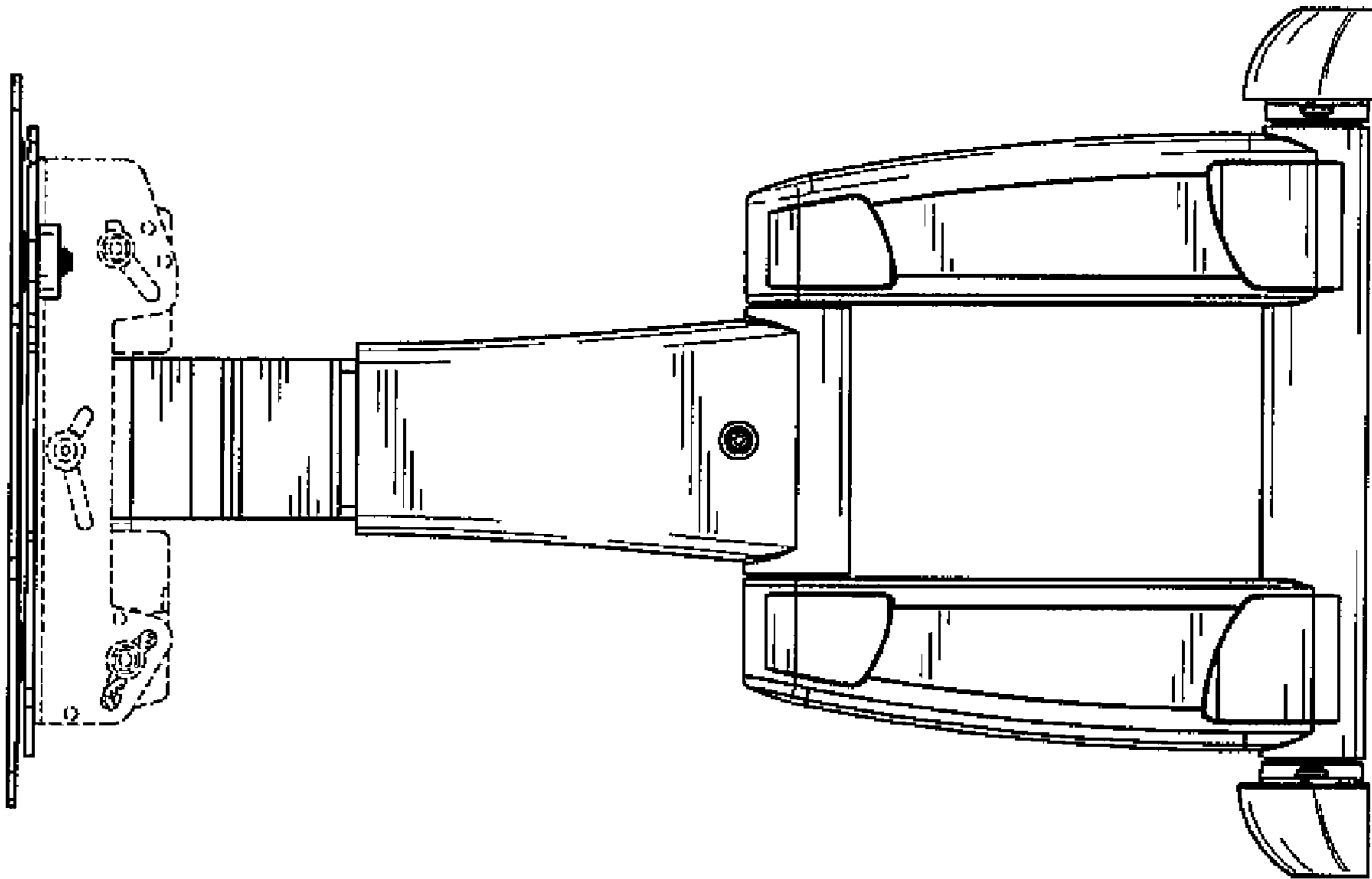


FIG. 4

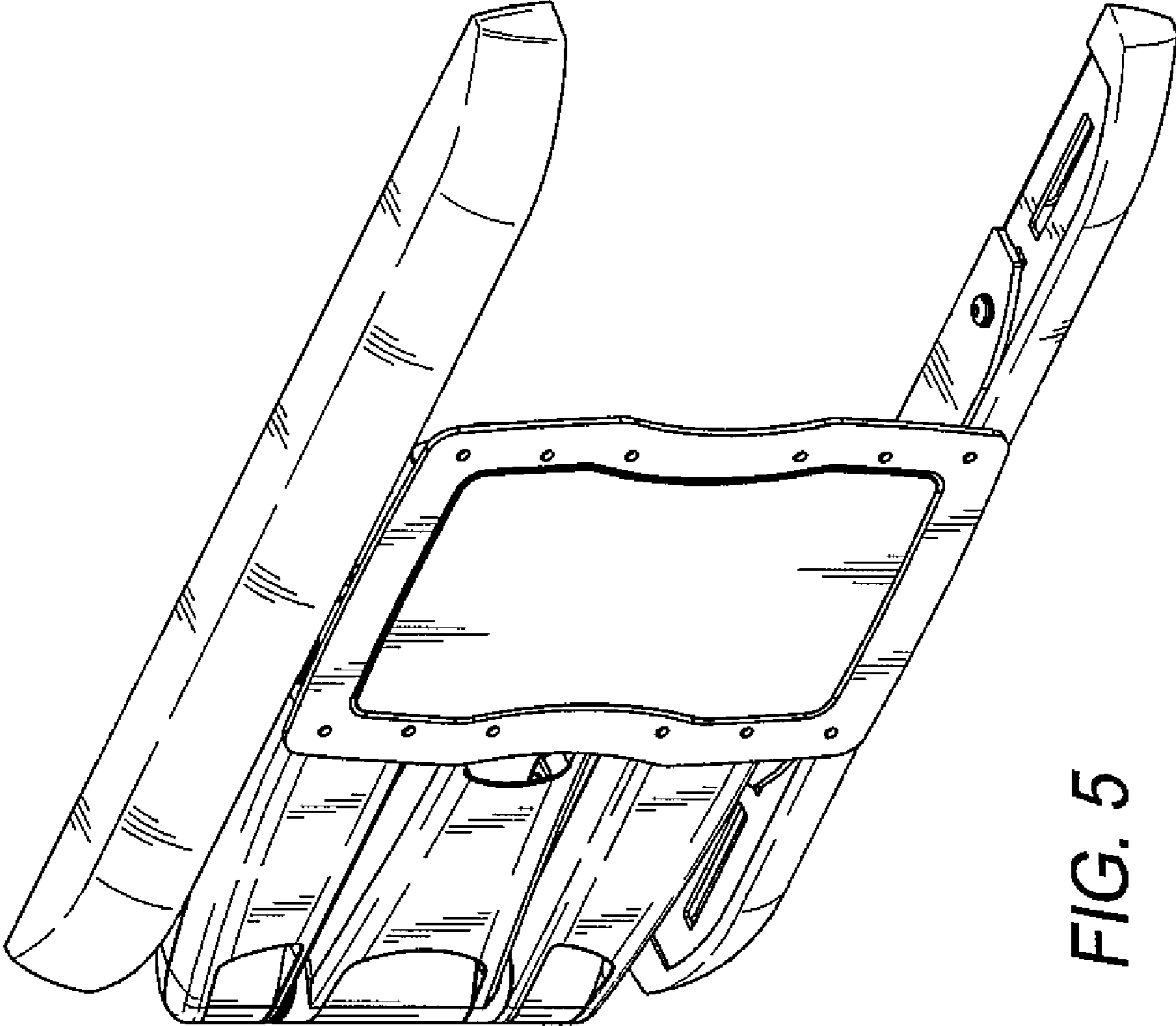


FIG. 5

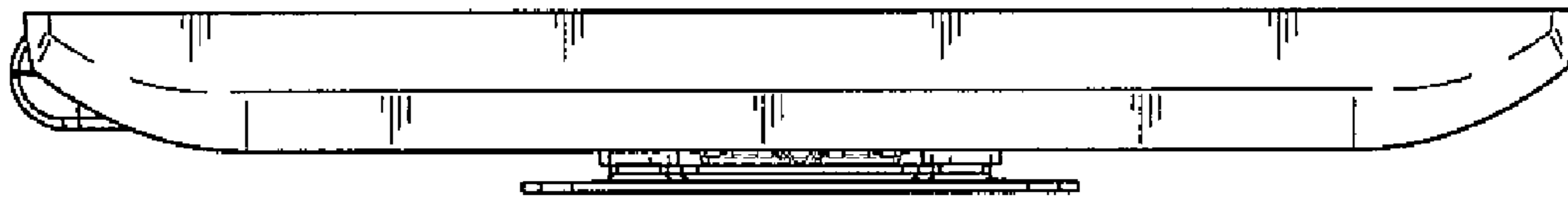


FIG. 6

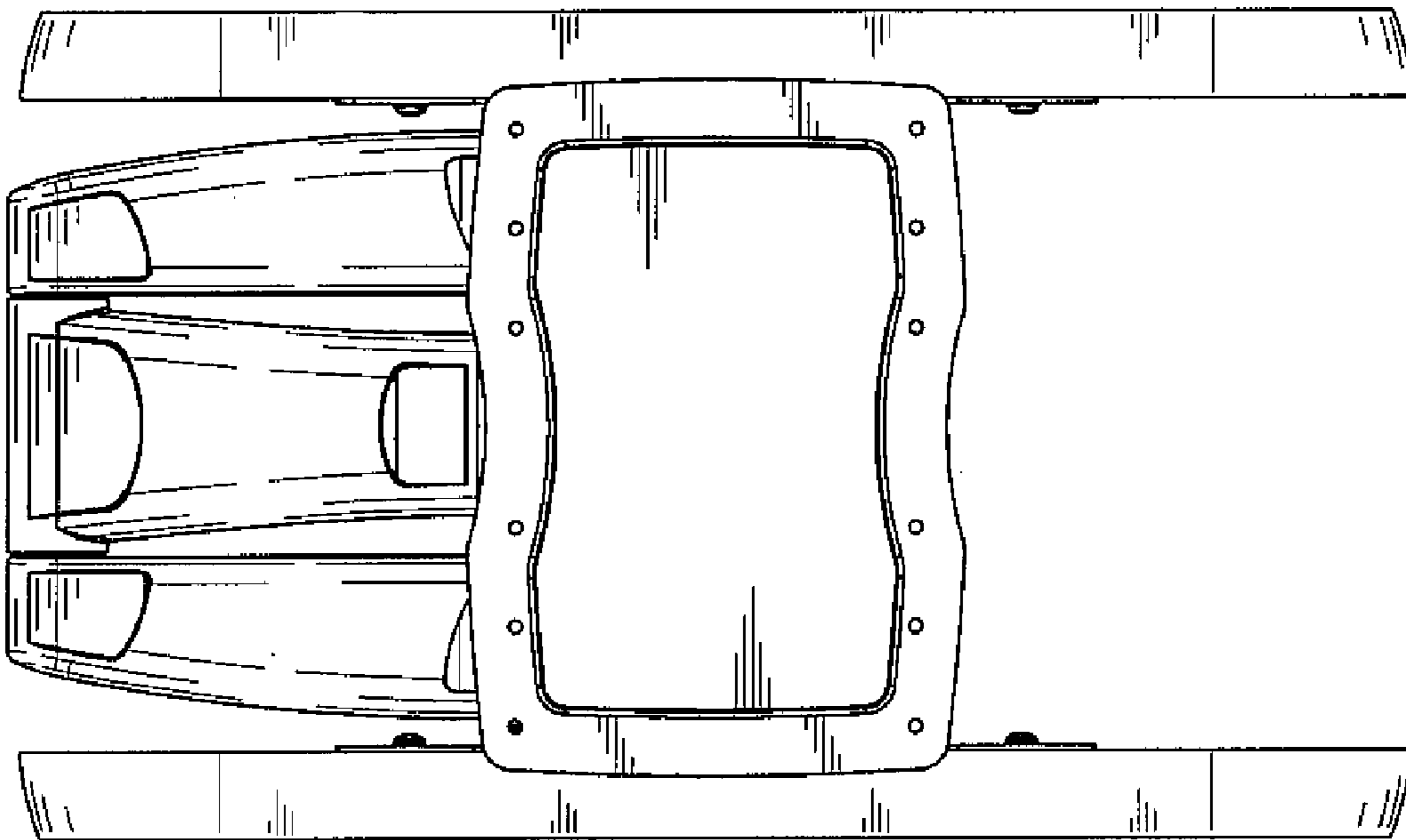


FIG. 7

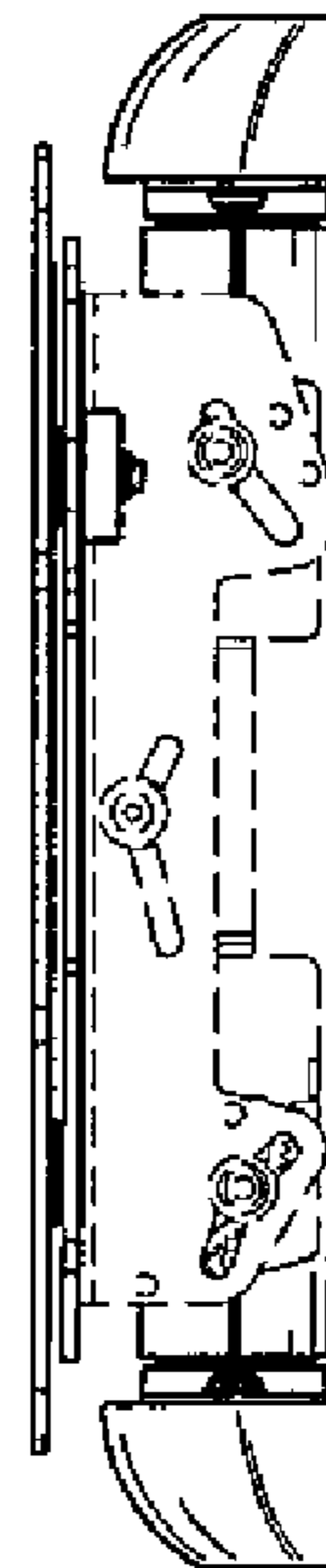


FIG. 8