



US00D611479S

(12) **United States Design Patent**  
**Hau et al.**

(10) **Patent No.:** **US D611,479 S**  
(45) **Date of Patent:** **\*\* Mar. 9, 2010**

(54) **EXTRA-LARGE ULTRA LOW PROFILE CANTILEVER**

(75) Inventors: **Flavio Ly Hau**, Phoenix, AZ (US); **Brett Stenhouse**, Phoenix, AZ (US); **Don Westgaard**, Cave Creek, AZ (US); **Tom Muday**, Scottsdale, AZ (US); **Chris Buttenob**, Scottsdale, AZ (US)

(73) Assignee: **Omnimount Systems, Inc.**, Phoenix, AZ (US)

(\*\*) Term: **14 Years**

(21) Appl. No.: **29/323,875**

(22) Filed: **Sep. 2, 2008**

(51) **LOC (9) Cl.** ..... **08-07**

(52) **U.S. Cl.** ..... **D14/452**

(58) **Field of Classification Search** ..... D14/447, D14/448, 451, 452, 457, 459, 460, 461, 239, D14/251, 253, 224.1, 125, 126, 432, 434, D14/439, 371-382; D8/354, 363, 373, 380; D19/90, 91; D18/4.4, 4.5, 4.6, 12; D6/300, D6/310, 312, 313, 314, 449, 512; D13/139.5, D13/108; D21/333; D10/74; D12/415; 248/917-924, 675, 676, 678, 447, 122.1, 248/176.1, 176.3, 205.5, 205.8, 324; 312/323.3; 379/446, 454, 455; 361/679.02, 679.06, 361/679.07, 679.21, 679.22, 679.24, 679.26, 361/679.3, 679.46, 679.49, 679.55, 679.56, 361/679.58, 679.6, 693, 697, 809, 810, 825, 361/827; D16/242

See application file for complete search history.

(56) **References Cited**

**U.S. PATENT DOCUMENTS**

D539,127 S \* 3/2007 Ly Hau et al. .... D8/373

D558,563 S \* 1/2008 Ciungan ..... D8/363  
D558,564 S \* 1/2008 Ciungan ..... D8/363  
D559,088 S \* 1/2008 Ciungan ..... D8/363  
7,395,996 B2 \* 7/2008 Dittmer ..... 248/291.1  
D580,742 S \* 11/2008 Short ..... D8/363  
D580,743 S \* 11/2008 Short ..... D8/363  
7,448,584 B2 \* 11/2008 Chen et al. .... 248/278.1  
D581,916 S \* 12/2008 Sculler et al. .... D14/239  
D587,716 S \* 3/2009 Hau et al. .... D14/452  
2005/0127253 A1 \* 6/2005 Kim ..... 248/176.1  
2008/0006751 A1 \* 1/2008 Chen et al. .... 248/278.1  
2008/0035816 A1 \* 2/2008 Ciungan ..... 248/276.1

\* cited by examiner

*Primary Examiner*—Jennifer Rivard

*Assistant Examiner*—Angela J Lee

(74) *Attorney, Agent, or Firm*—Hogan & Hartson LLP

(57) **CLAIM**

The ornamental design for an extra-large ultra low profile cantilever, as shown and described.

**DESCRIPTION**

FIG. 1 is a perspective view in an extended position of the extra-large ultra low profile cantilever.

FIG. 2 is a side view in the extended position.

FIG. 3 is a front view in the extended position.

FIG. 4 is a top view in the extended position.

FIG. 5 is a perspective view of the extra-large ultra low profile cantilever in a retracted position.

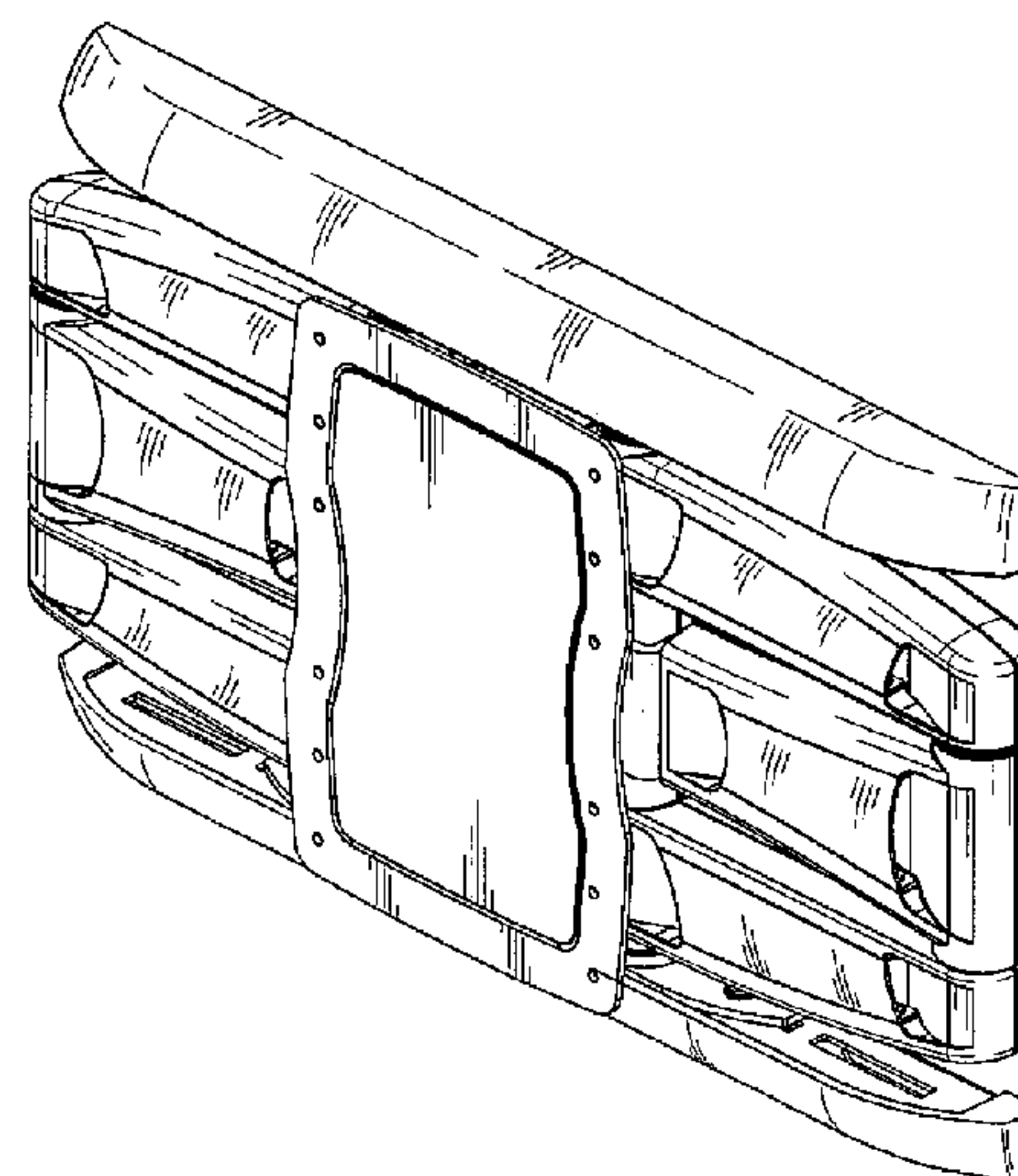
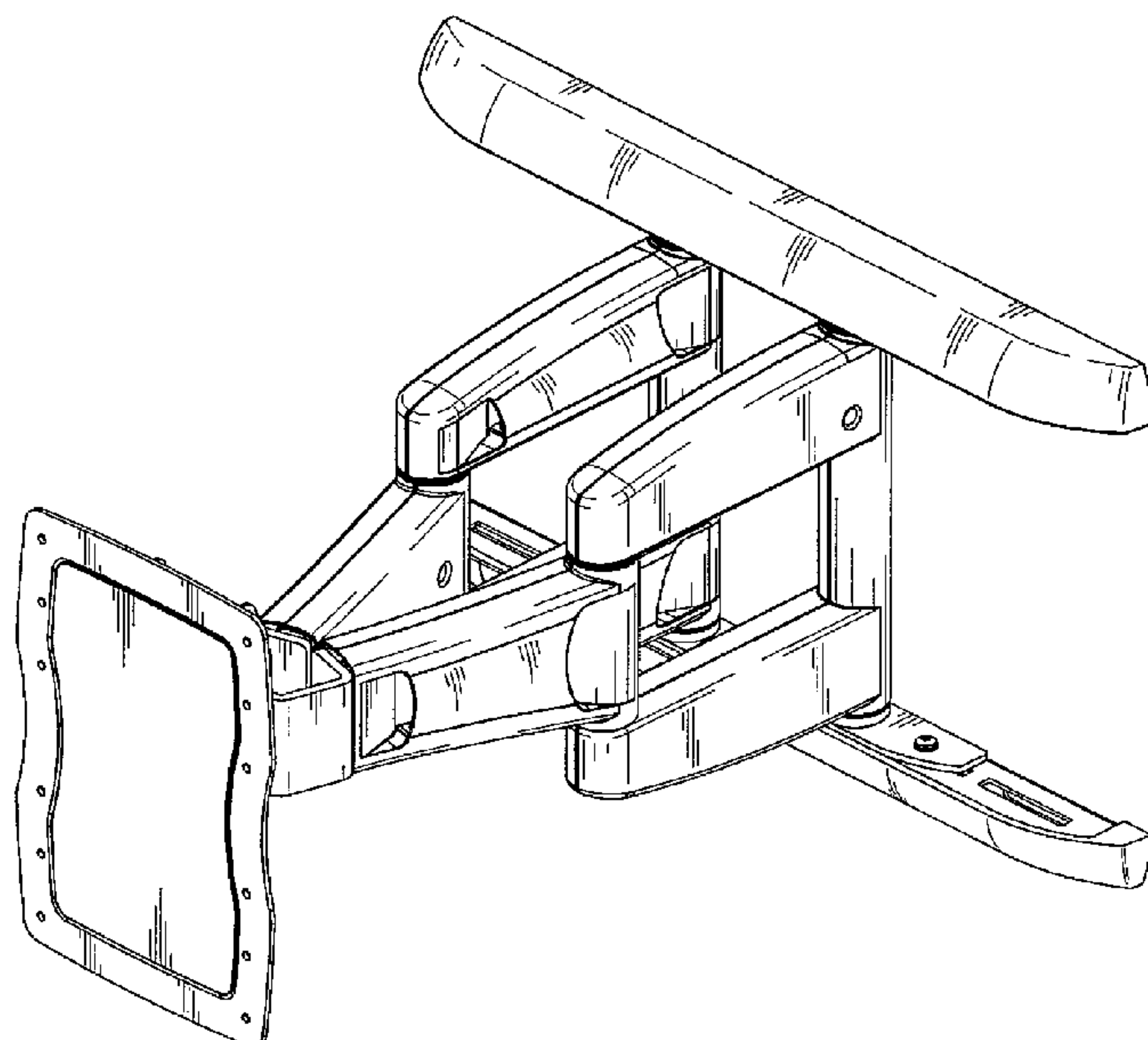
FIG. 6 is a side view in the retracted position.

FIG. 7 is a front view in the retracted position; and,

FIG. 8 is a top view in the retracted position.

The portions of the extra-large ultra low profile cantilever shown in broken lines form no part of the claimed design.

**1 Claim, 6 Drawing Sheets**



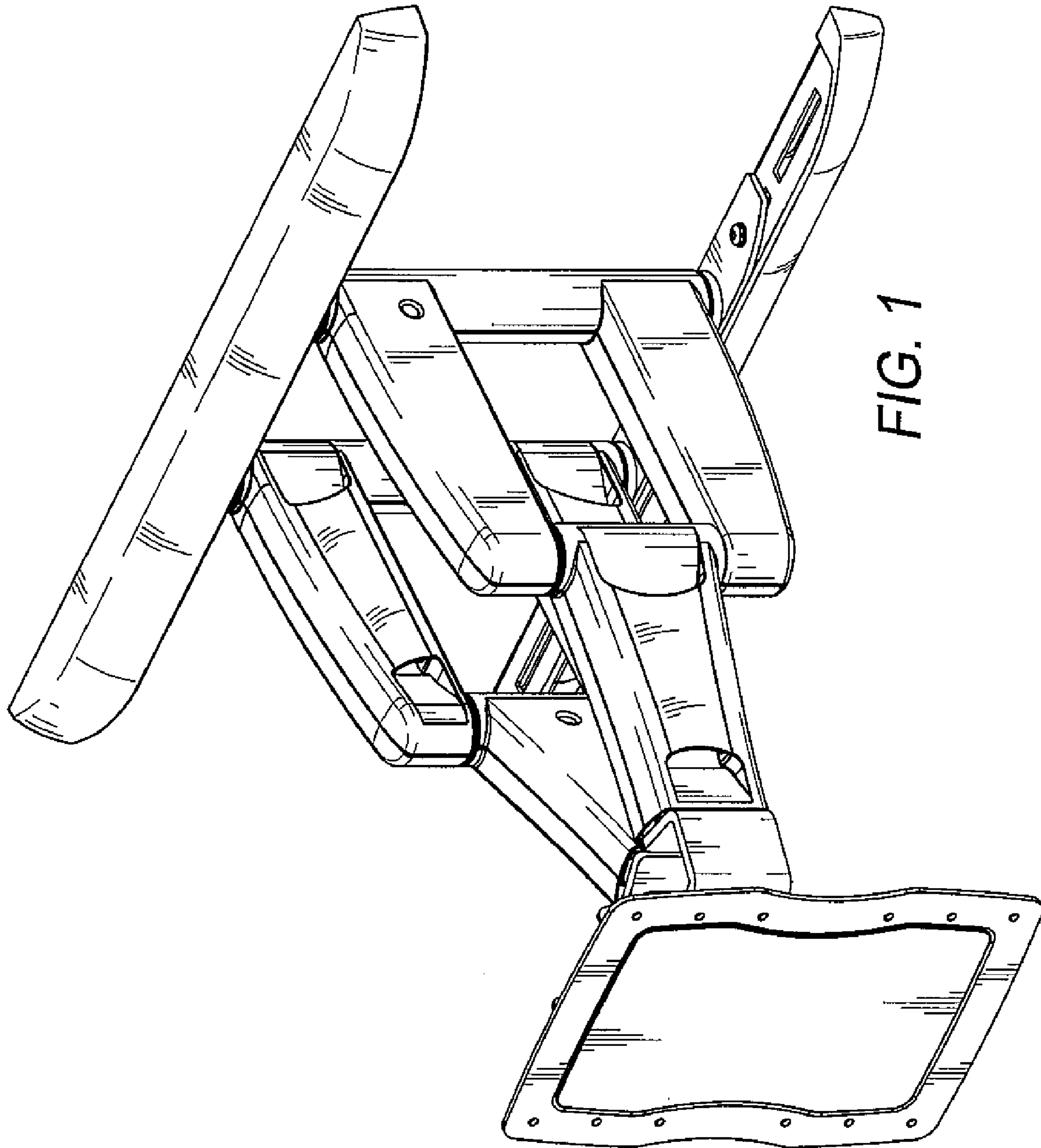


FIG. 1

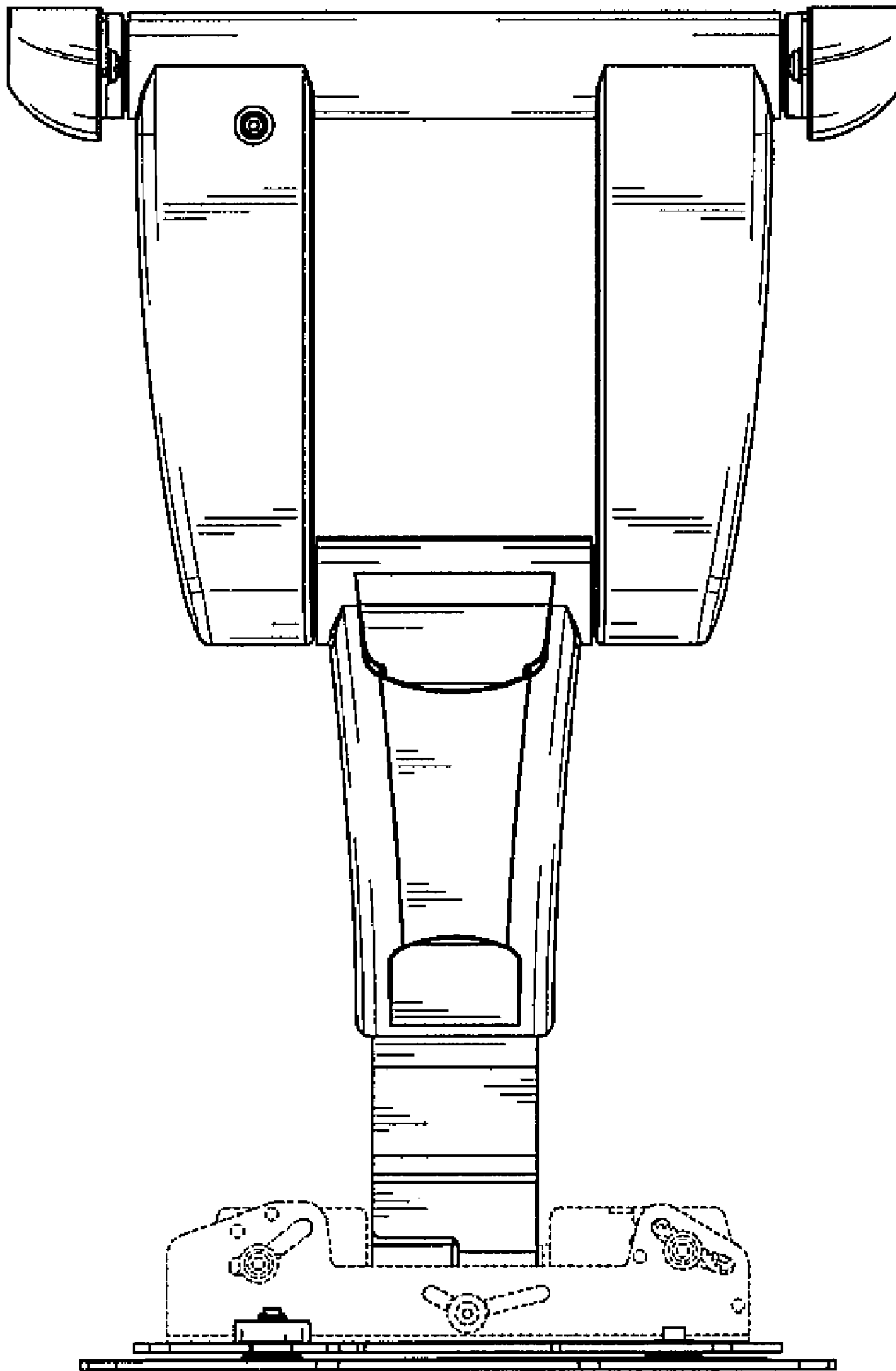


FIG. 2

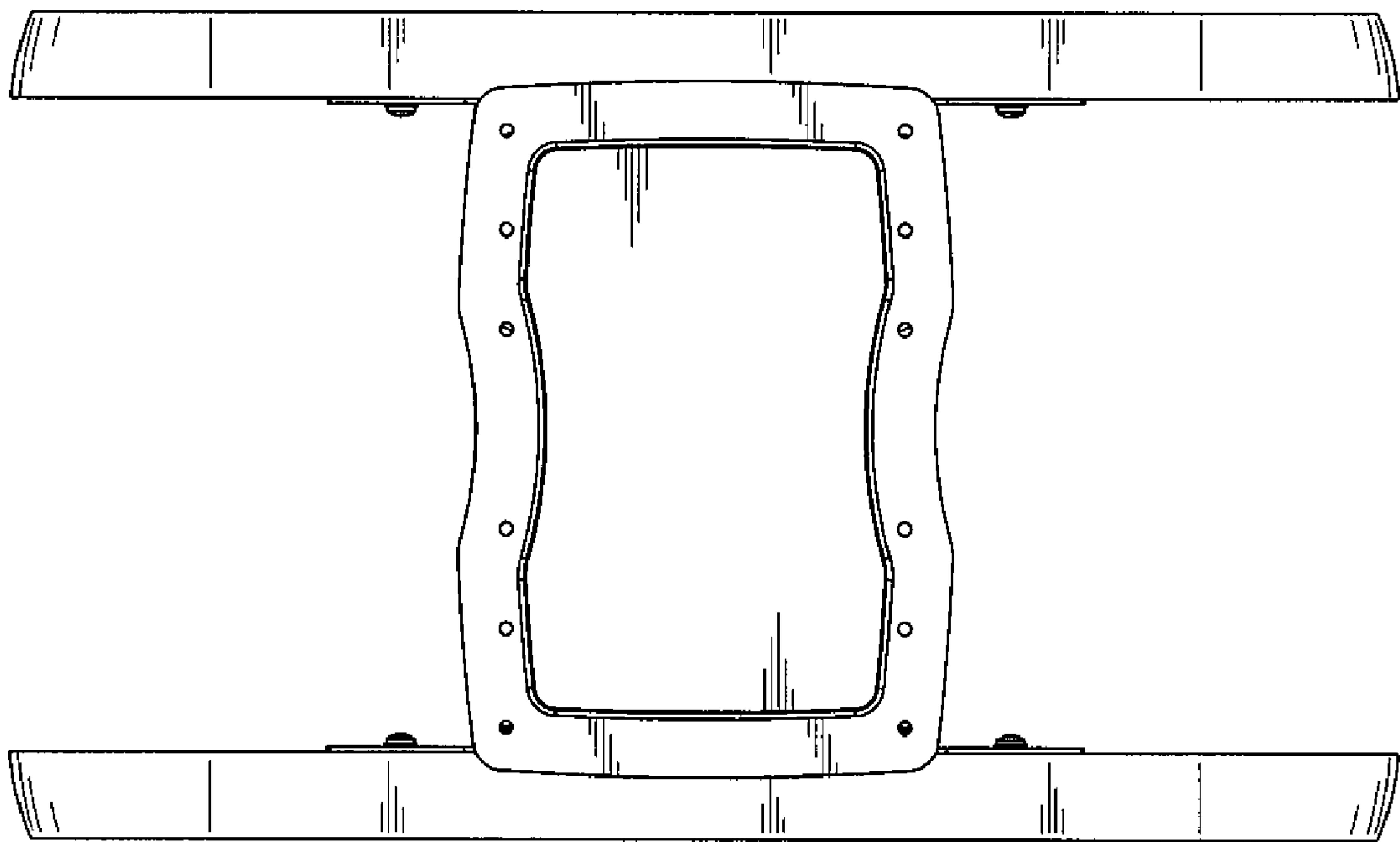


FIG. 3

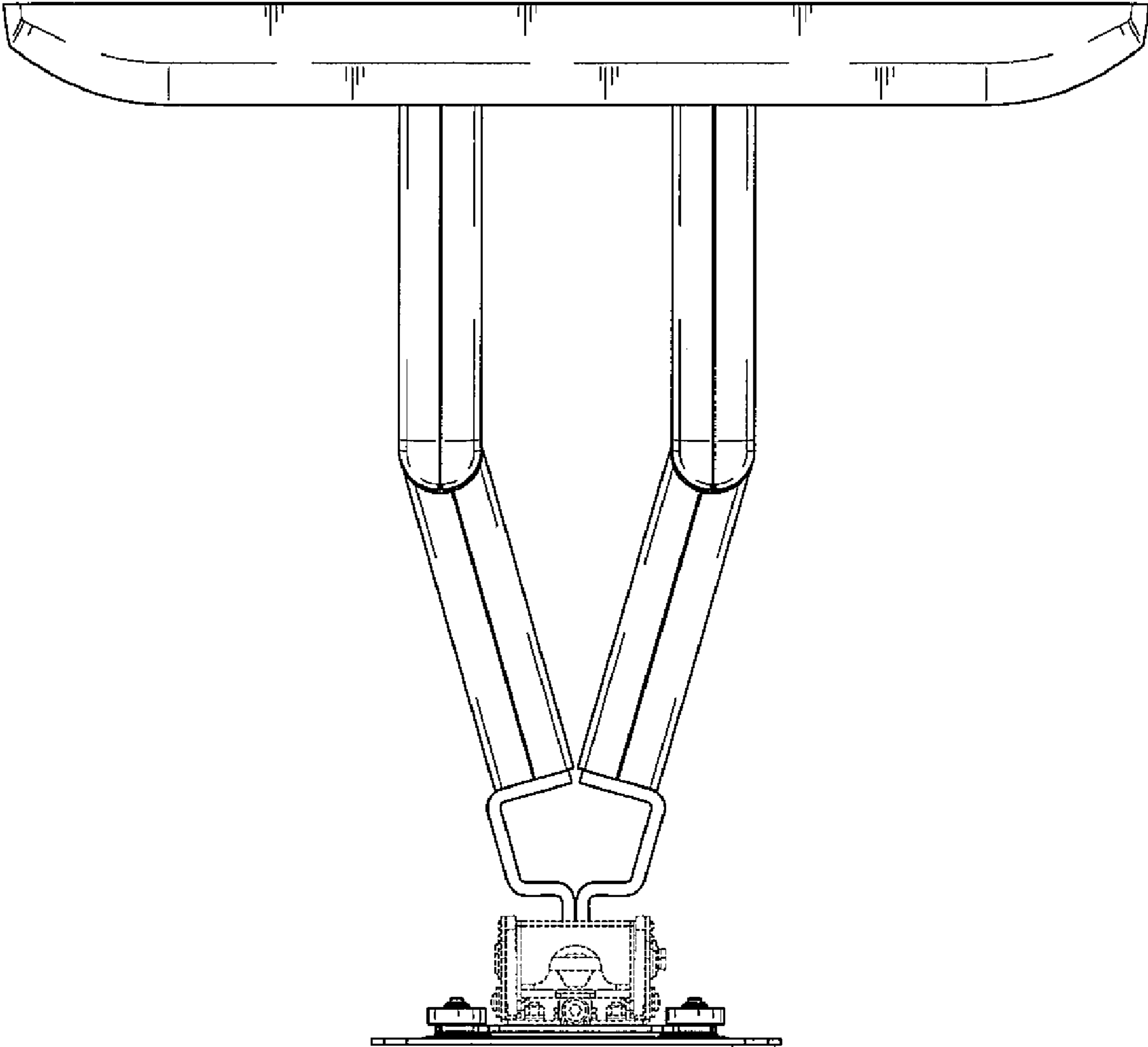
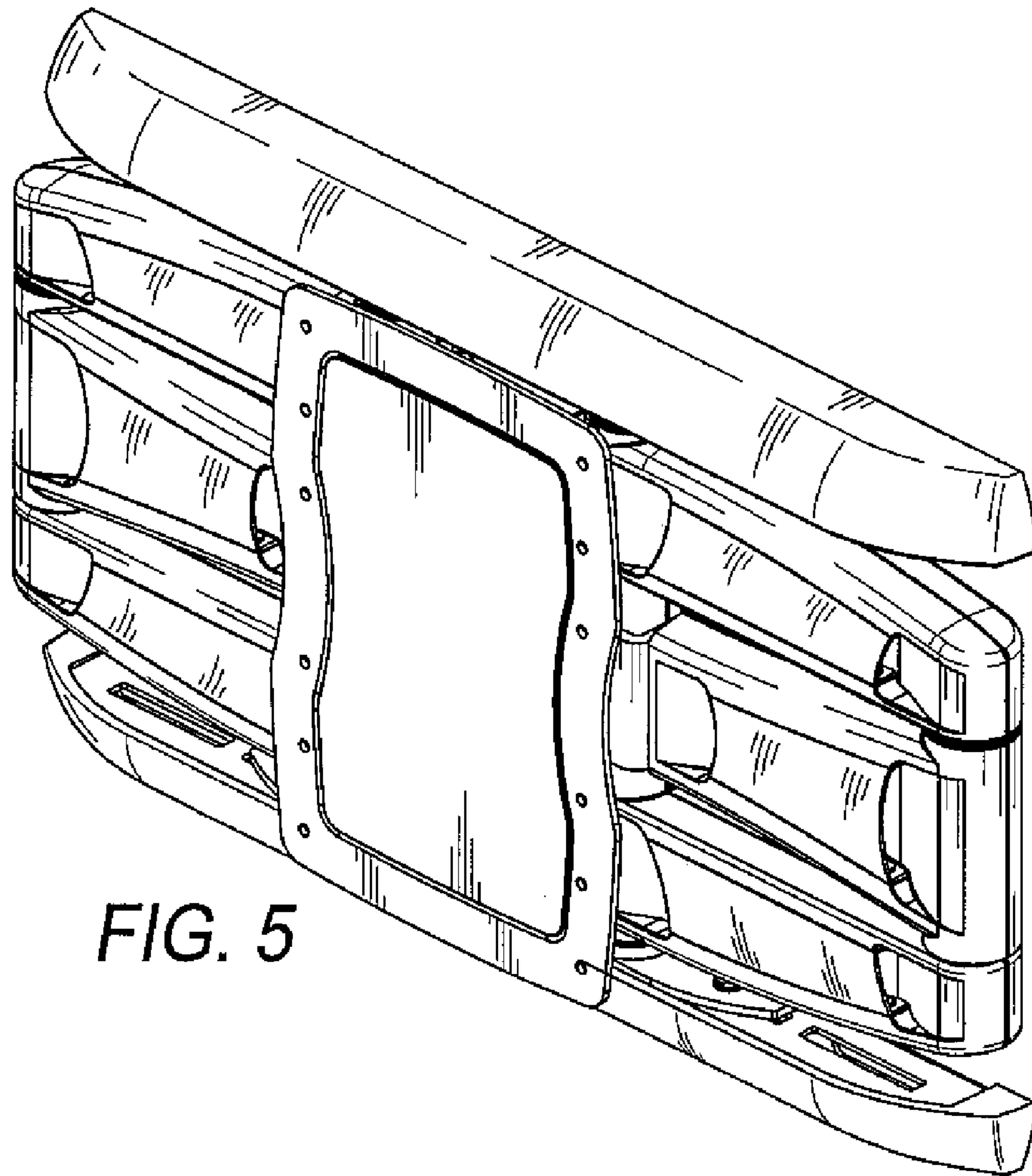
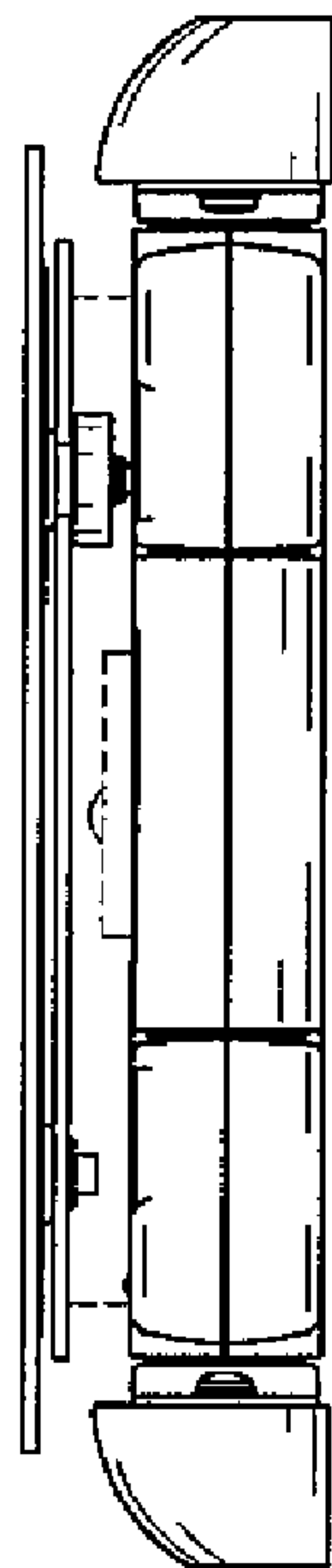


FIG. 4





*FIG. 5*



*FIG. 6*

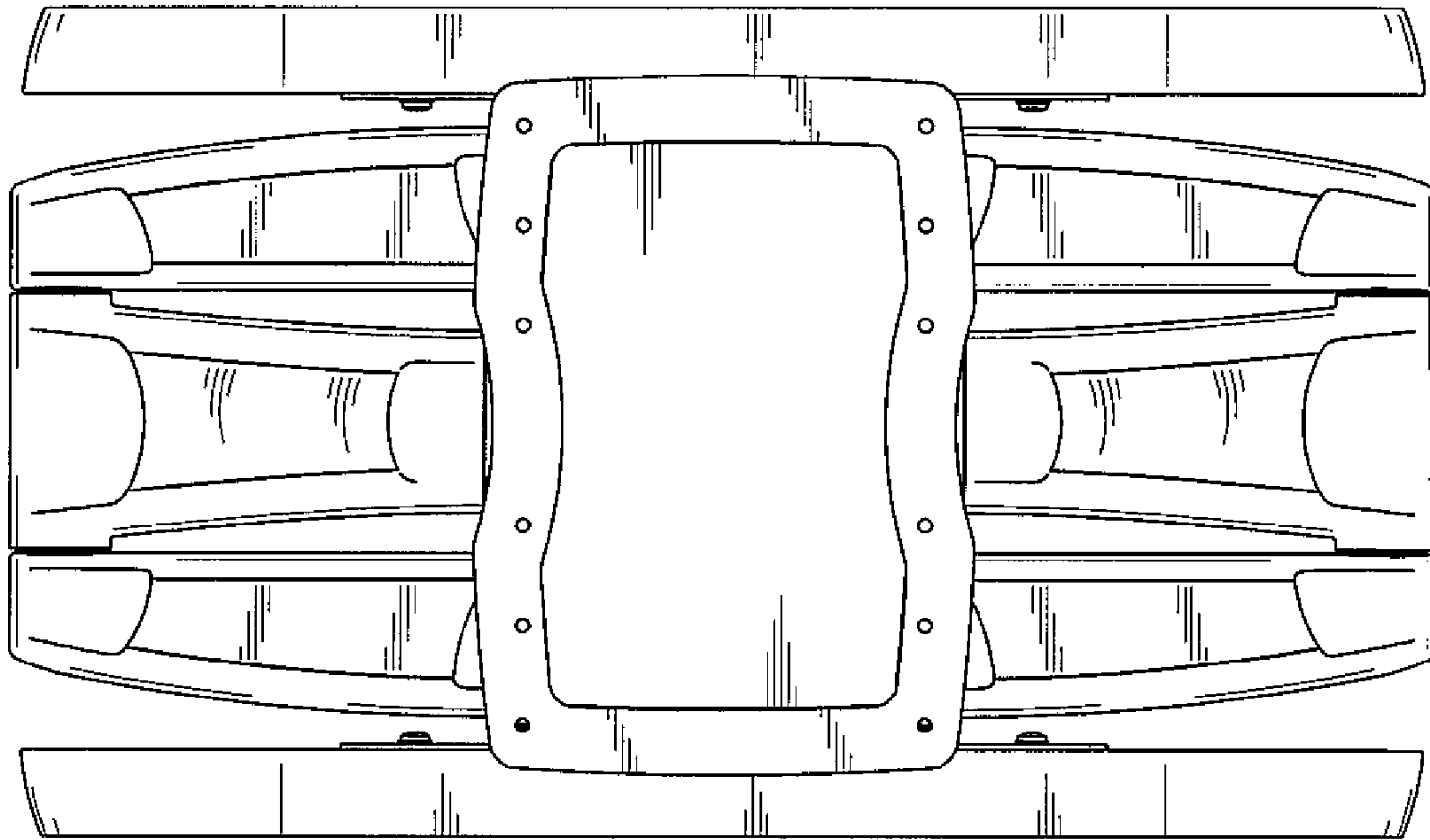


FIG. 7

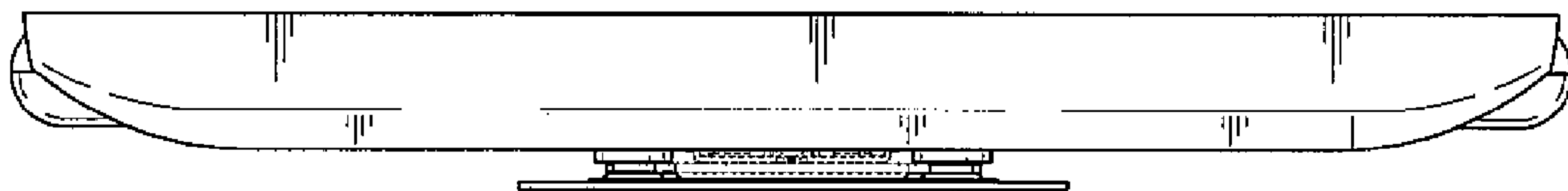


FIG. 8