



US00D611477S

(12) **United States Design Patent**
Brunner et al.

(10) **Patent No.:** **US D611,477 S**
(45) **Date of Patent:** **** Mar. 9, 2010**

(54) **WIRELESS HANDHELD CONTROLLER**

(75) Inventors: **Charles S. Brunner**, North Reading, MA (US); **Stephen K. Guerrero**, Holliston, MA (US)

(73) Assignee: **Zeemote, Inc.**, Chelmsford, MA (US)

(**) Term: **14 Years**

(21) Appl. No.: **29/334,649**

(22) Filed: **Mar. 30, 2009**

Related U.S. Application Data

(63) Continuation-in-part of application No. 29/296,282, filed on Oct. 17, 2007, now Pat. No. Des. 589,515.

(51) **LOC (9) Cl.** **14-02**

(52) **U.S. Cl.** **D14/412**

(58) **Field of Classification Search** D14/192, D14/205, 217, 218, 356, 388, 399-401, 412-416, D14/432, 434, 454-457, 496; D21/324, D21/332, 333; 463/1, 30, 36-38, 46, 47; 345/156-161, 905; D8/349, 353, 354, 356, D8/373, 382, 394, 395
See application file for complete search history.

(56) **References Cited**

U.S. PATENT DOCUMENTS

- D328,463 S 8/1992 King et al.
- D331,058 S 11/1992 Morales
- D362,872 S 10/1995 Chan
- D377,797 S 2/1997 Stropkay et al.
- D380,207 S 6/1997 Wang et al.
- D400,885 S 11/1998 Goto
- D466,510 S 12/2002 Yang
- 6,850,221 B1 2/2005 Tickle
- D544,605 S 6/2007 Gumisawa et al.
- D556,201 S 11/2007 Ashida et al.
- D567,243 S 4/2008 Ashida et al.

- D568,882 S 5/2008 Ashida et al.
- D576,624 S 9/2008 Ashida et al.
- D577,025 S 9/2008 Ashida et al.
- D587,713 S * 3/2009 Sutton D14/412
- D589,515 S * 3/2009 Brunner et al. D14/412
- D594,066 S * 6/2009 Oikawa et al. D21/333
- D594,067 S * 6/2009 Oikawa et al. D21/333
- D597,427 S * 8/2009 Pereira et al. D14/218

* cited by examiner

Primary Examiner—Stella M Reid

Assistant Examiner—Keli L Hill

(74) *Attorney, Agent, or Firm*—Fish & Richardson P.C.

(57) **CLAIM**

The ornamental design for a wireless handheld controller, substantially as shown and described.

DESCRIPTION

FIG. 1 is an isometric view of the wireless handheld controller;

FIG. 2 is a left elevation view thereof;

FIG. 3 is a right elevation view thereof;

FIG. 4 is a top plan view thereof;

FIG. 5 is a bottom plan view thereof;

FIG. 6 is a front view thereof; and,

FIG. 7 is a back view thereof.

FIG. 8 is another isometric view of the wireless handheld controller;

FIG. 9 is another left elevation view thereof;

FIG. 10 is another right elevation view thereof;

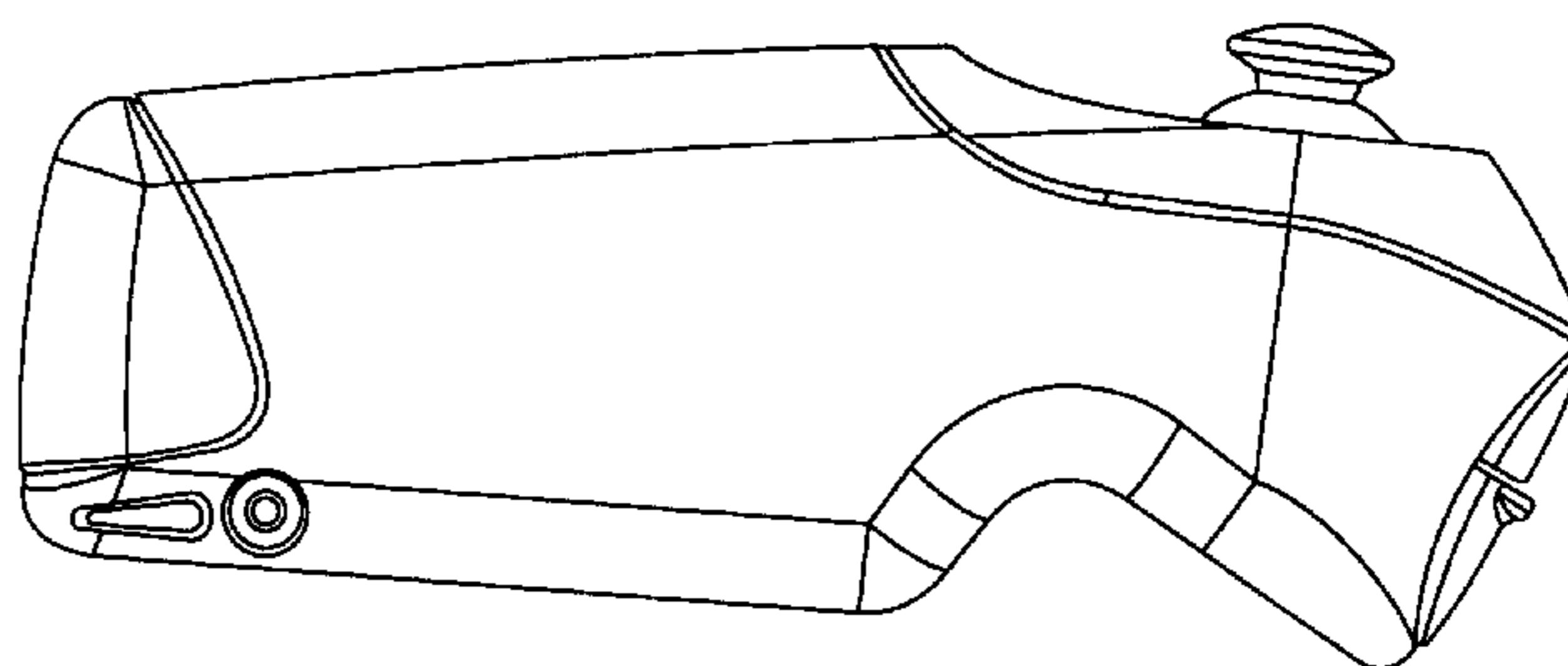
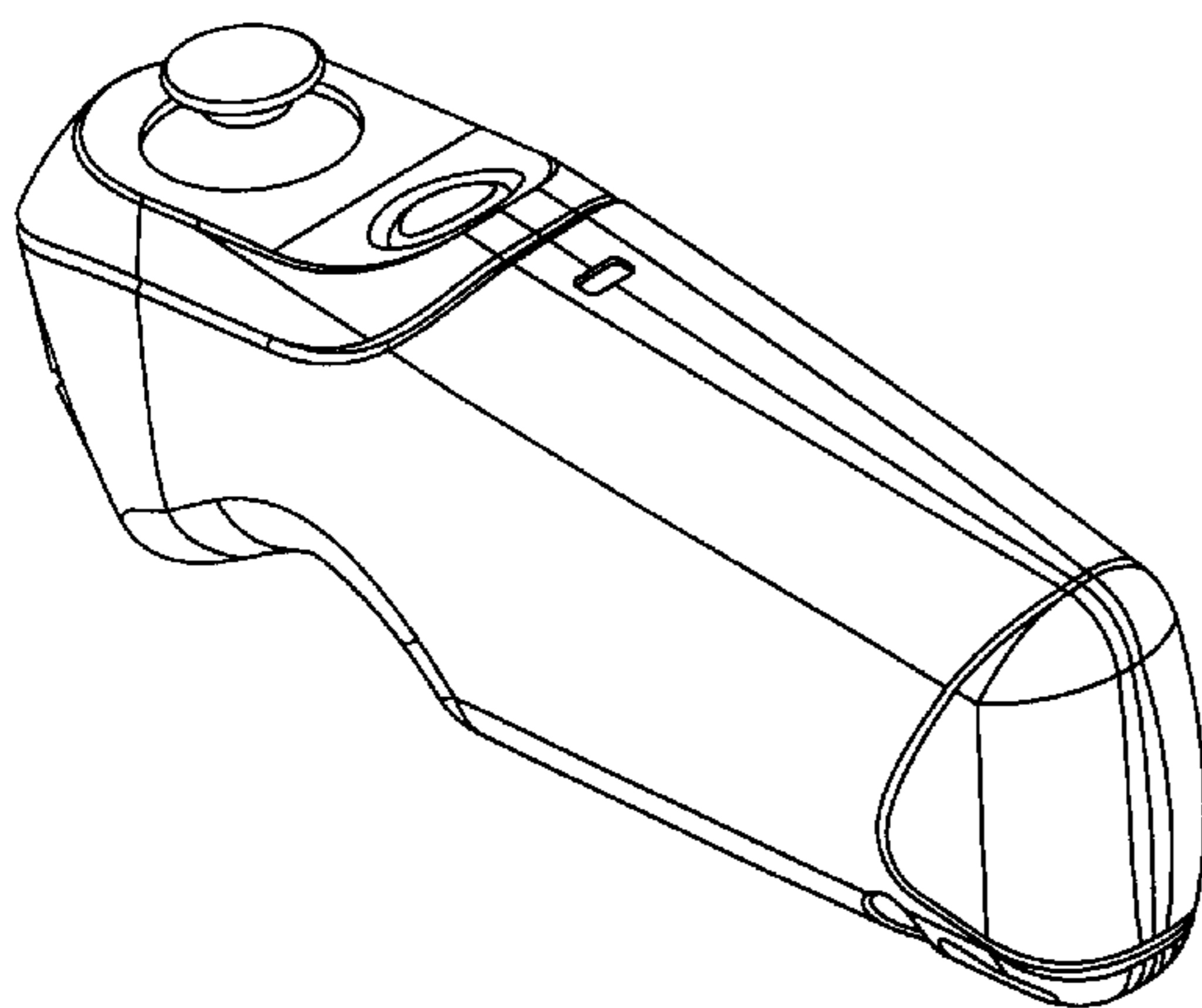
FIG. 11 is another top plan view thereof;

FIG. 12 is another bottom plan view thereof;

FIG. 13 is another front view thereof; and,

FIG. 14 is another back view thereof.

1 Claim, 9 Drawing Sheets



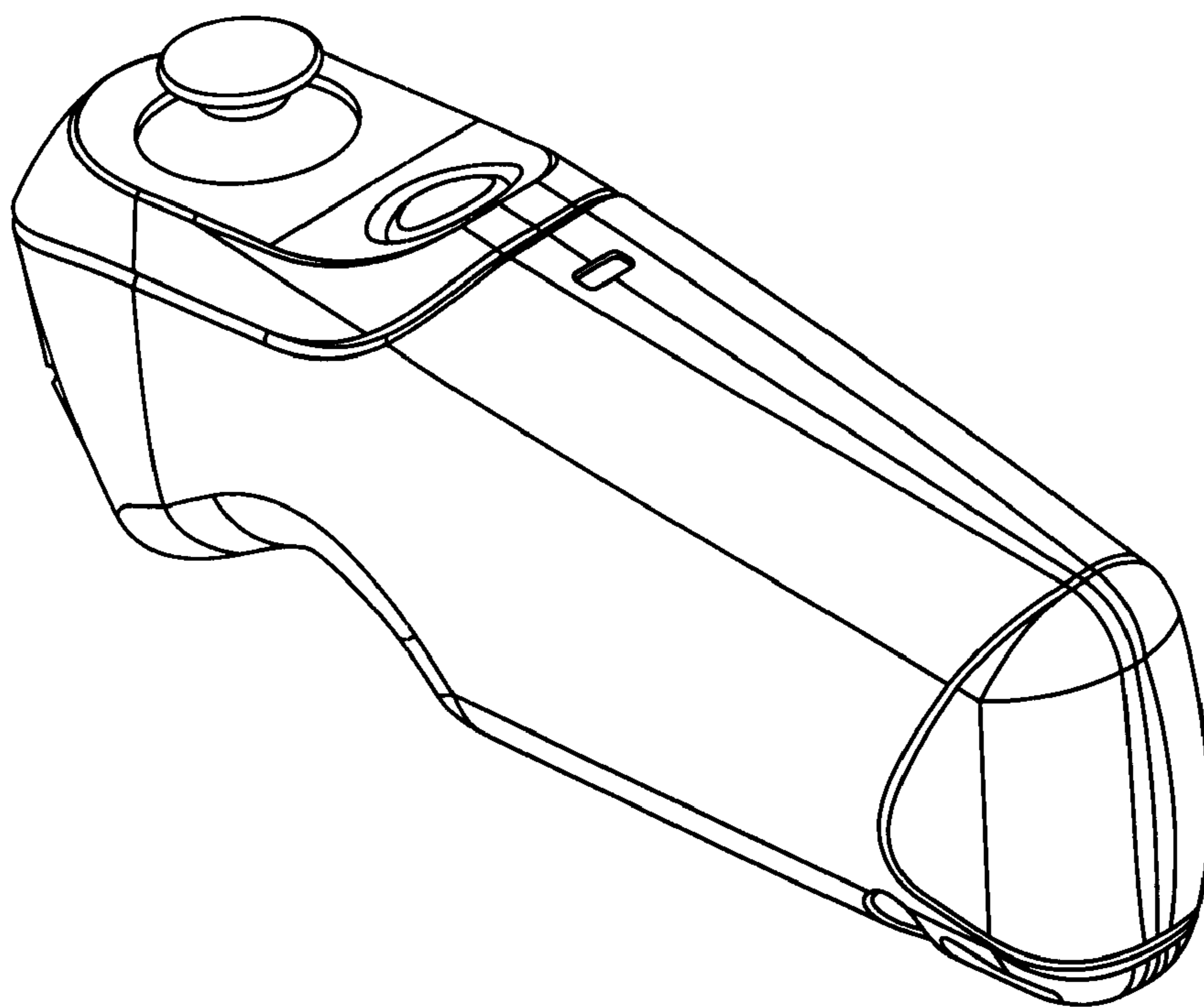


FIG. 1

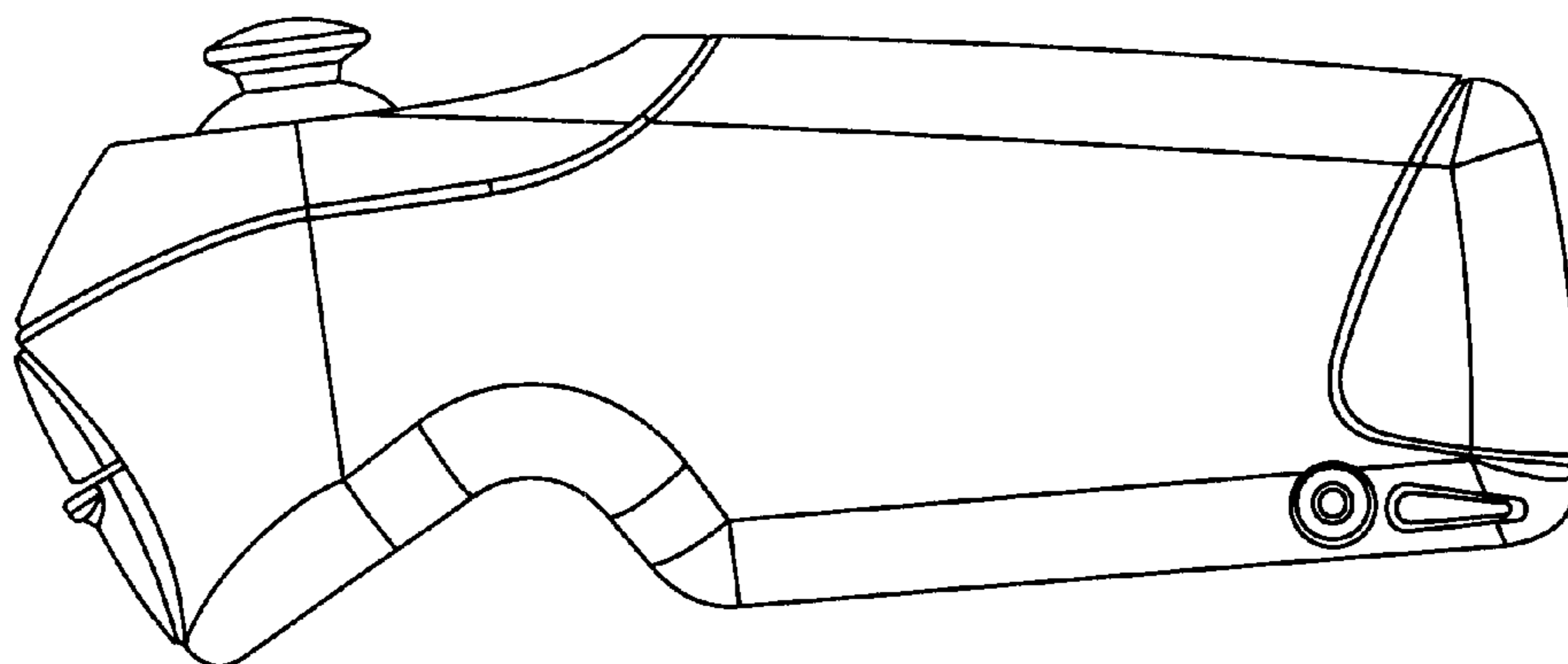


FIG. 2

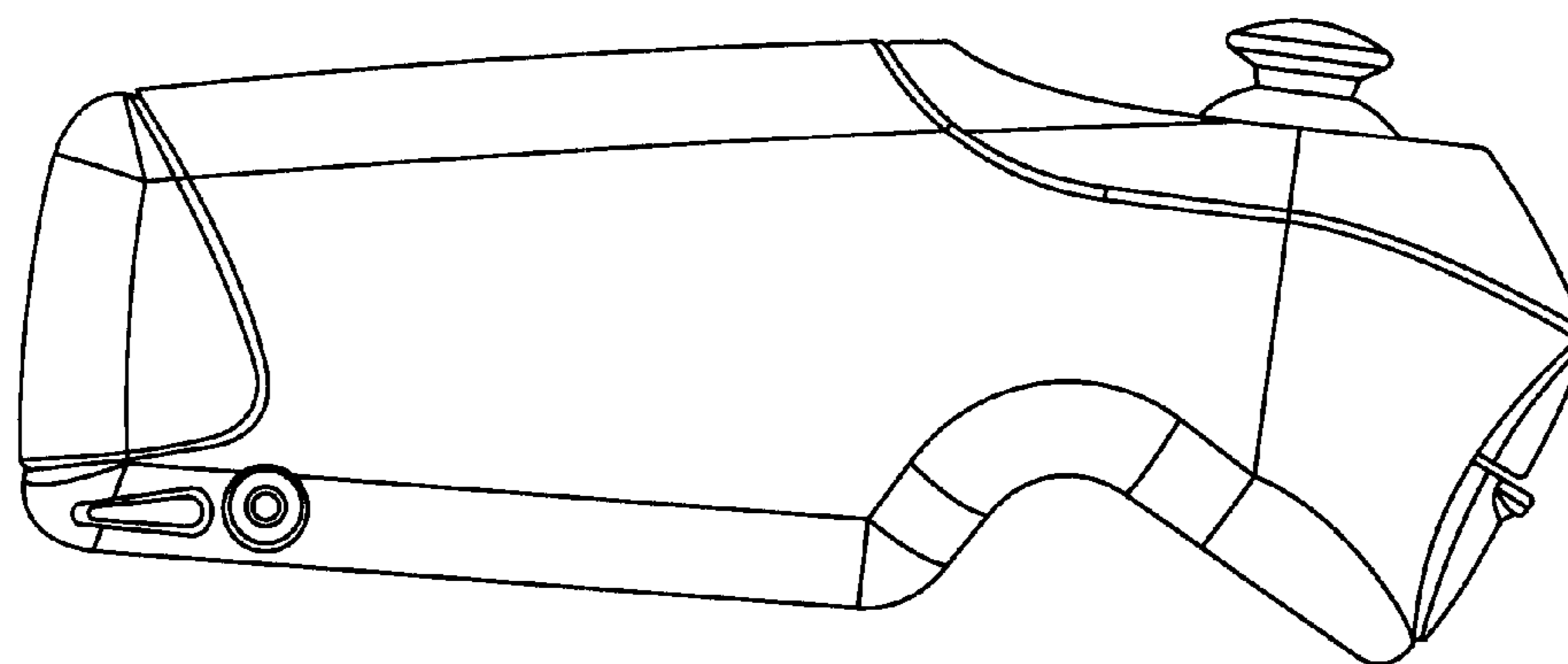


FIG. 3

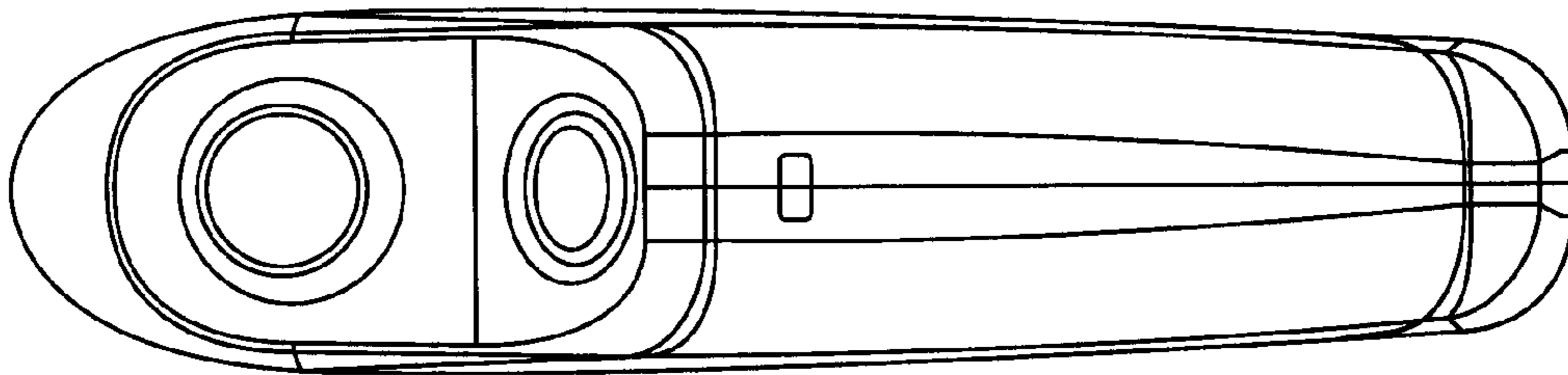


FIG. 4

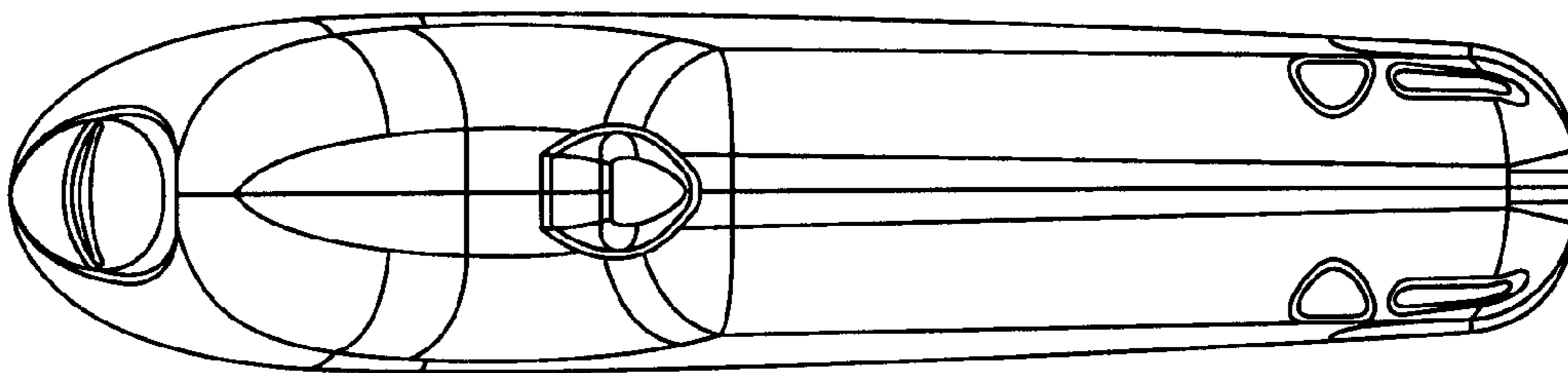


FIG. 5

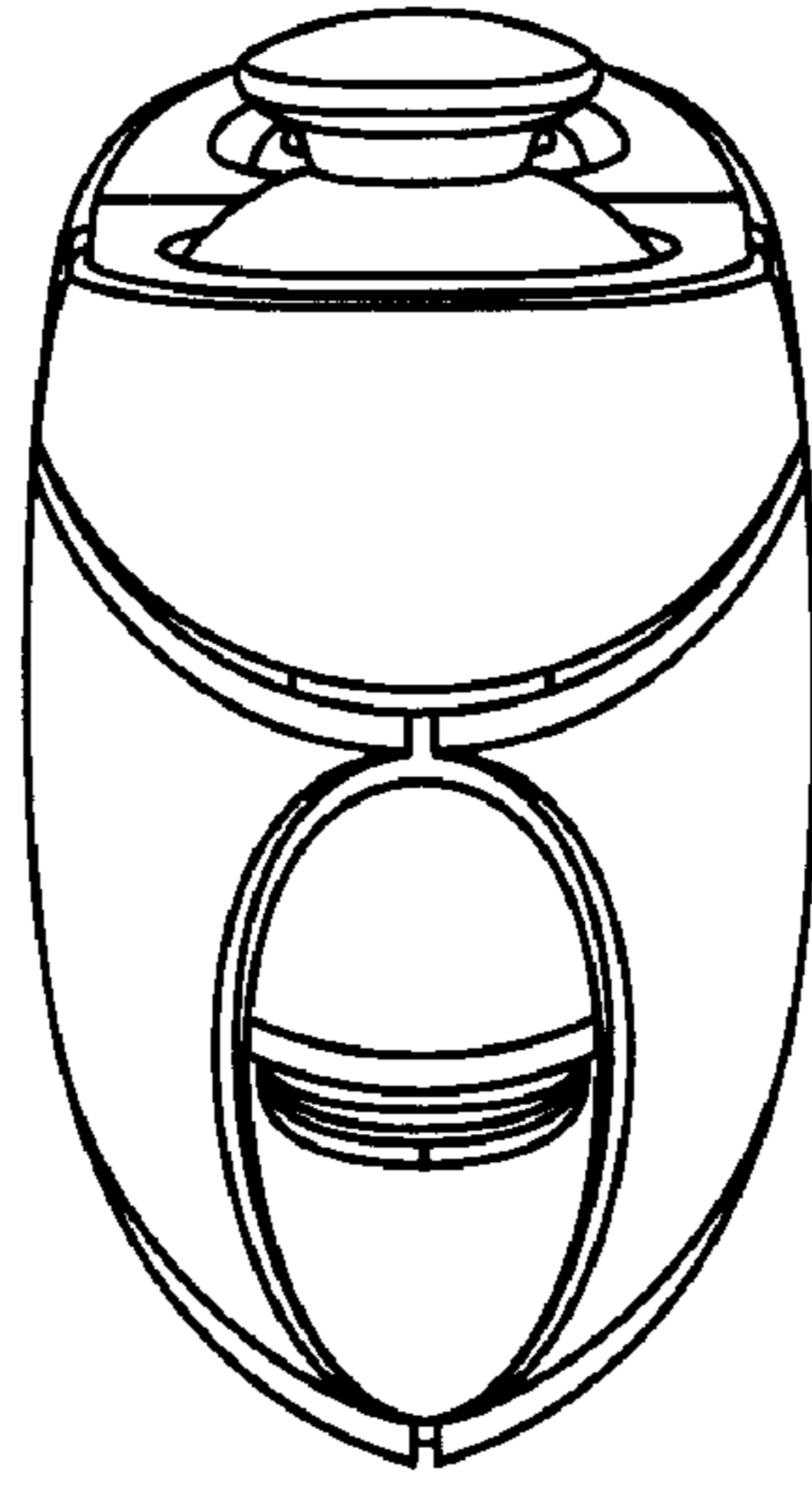


FIG. 6

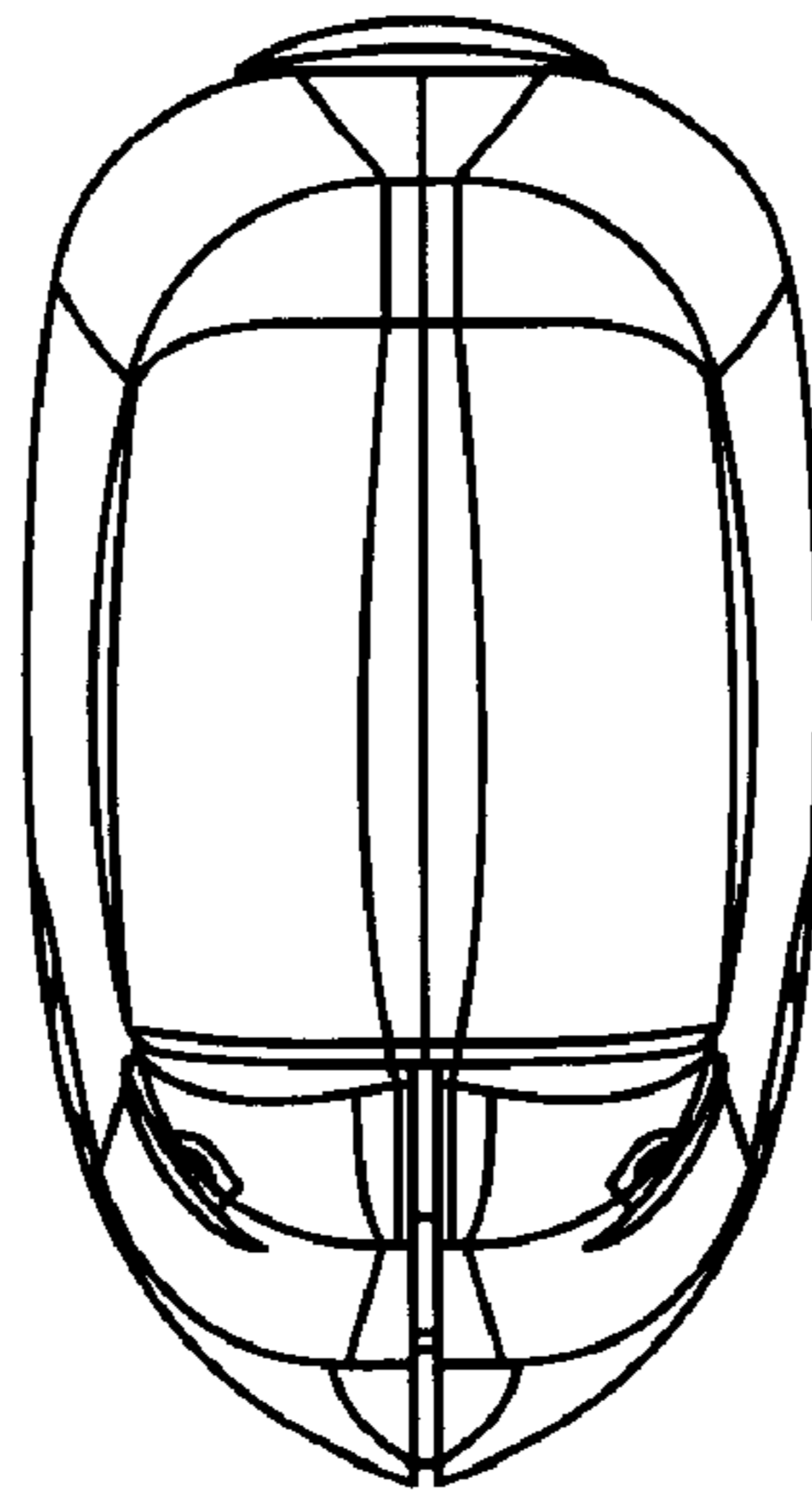


FIG. 7

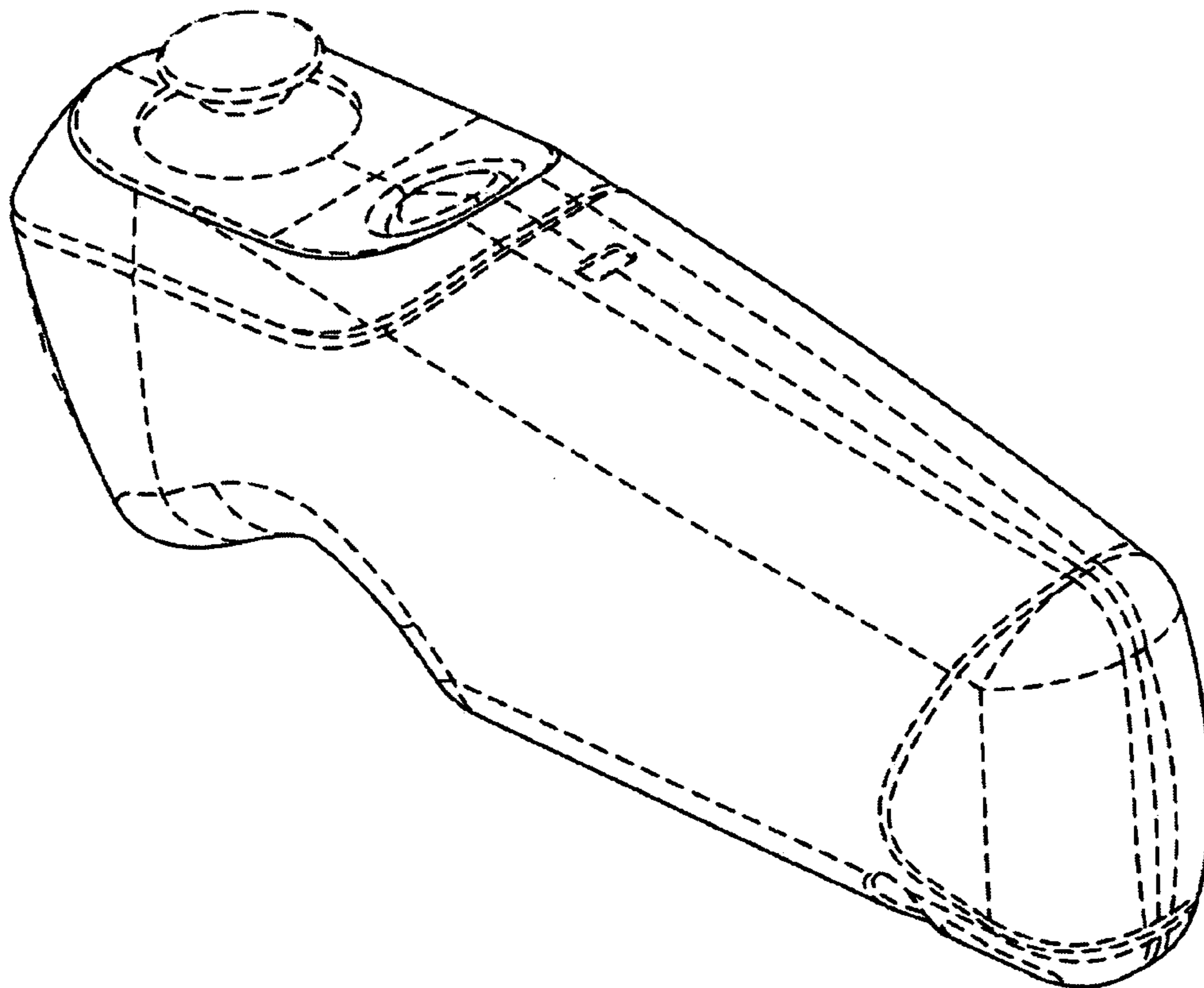


FIG. 8

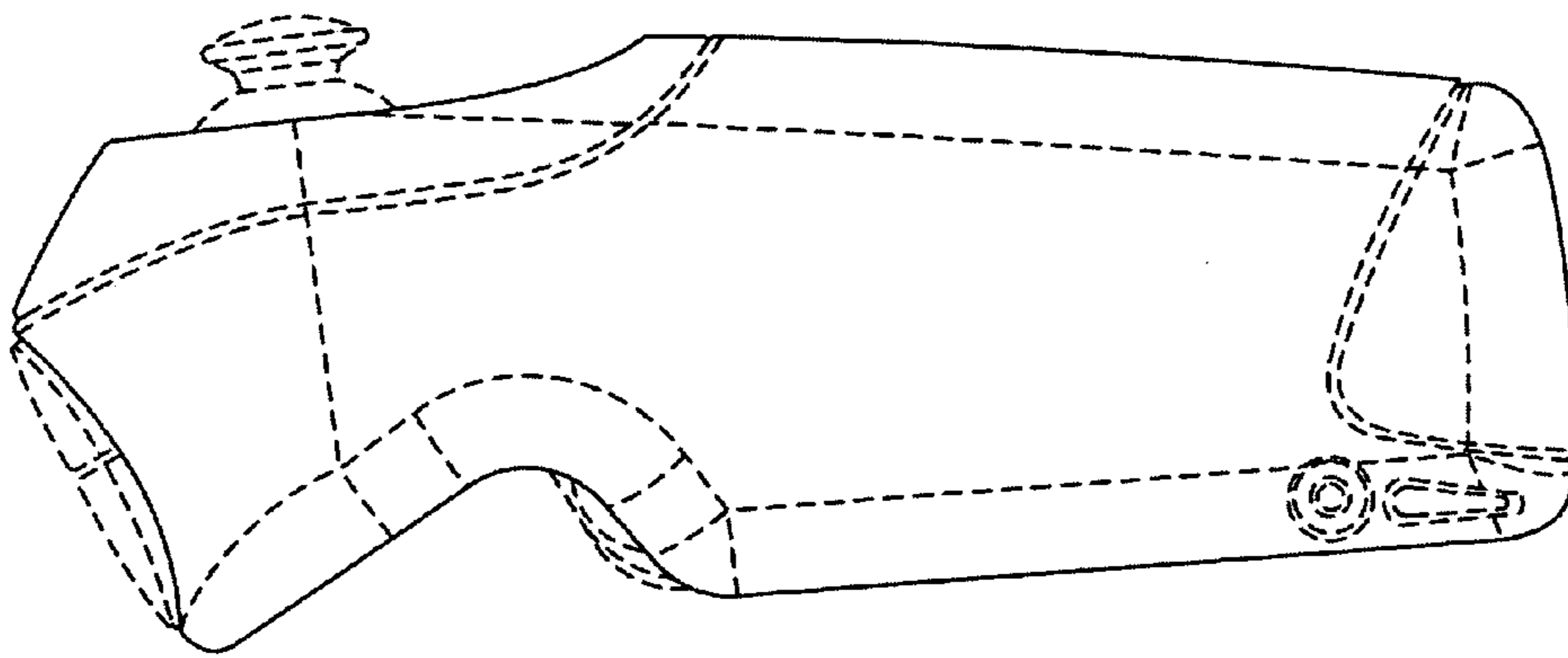


FIG. 9

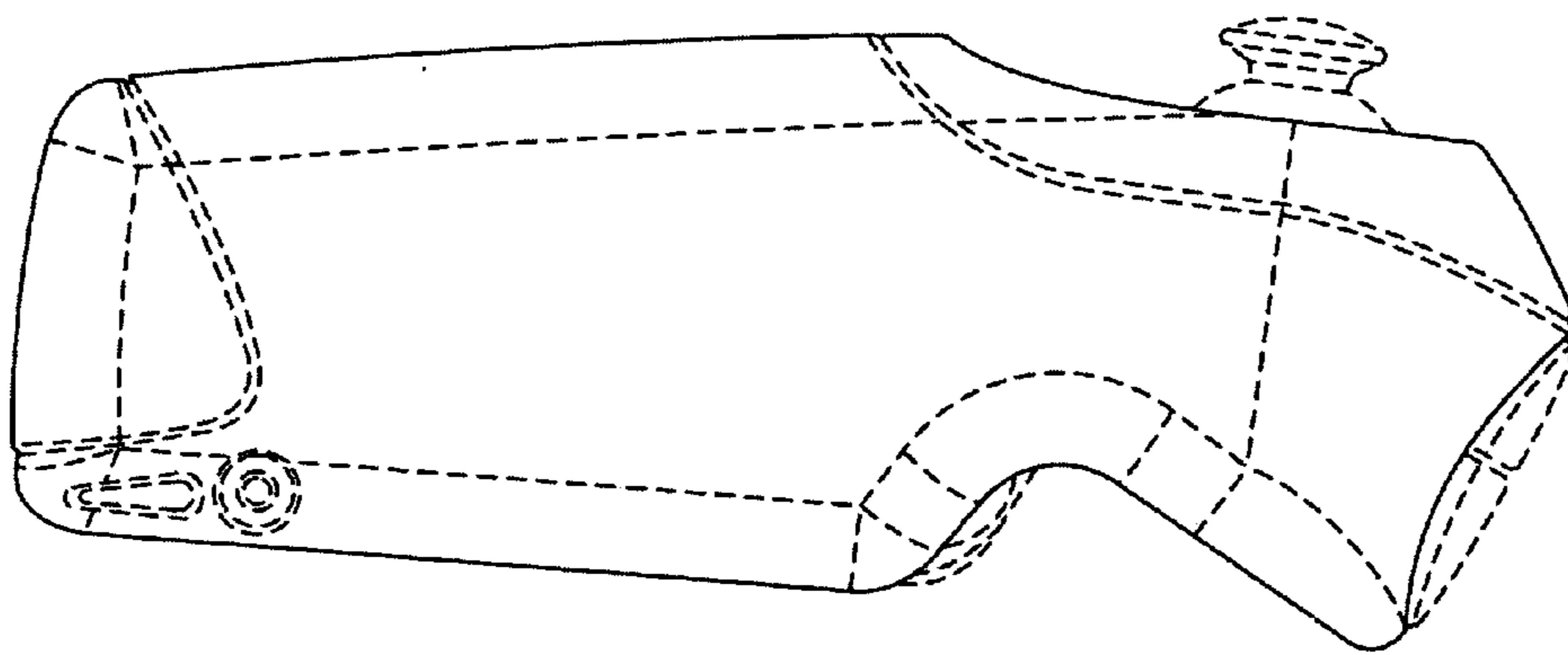


FIG. 10

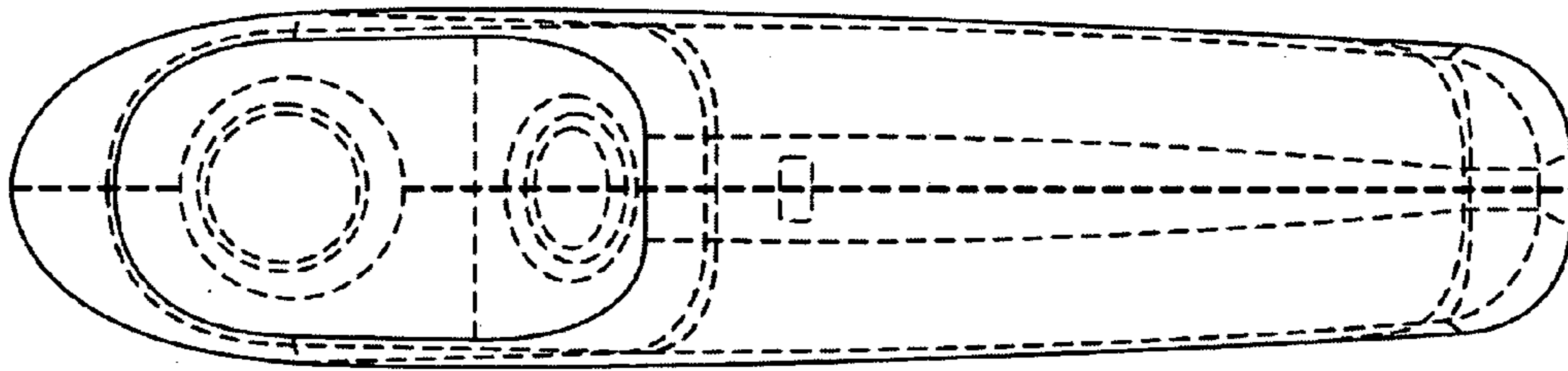


FIG. 11

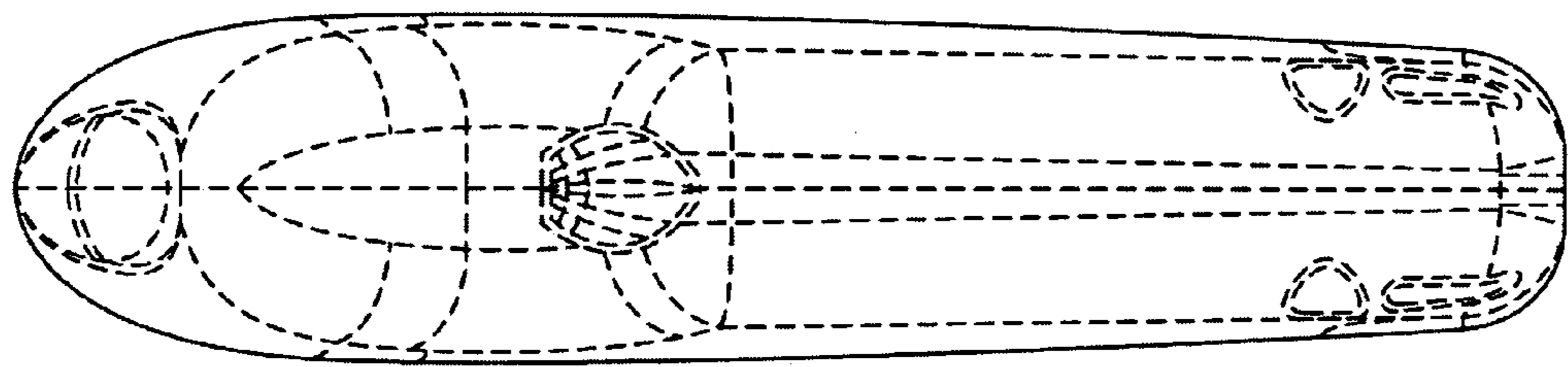


FIG. 12

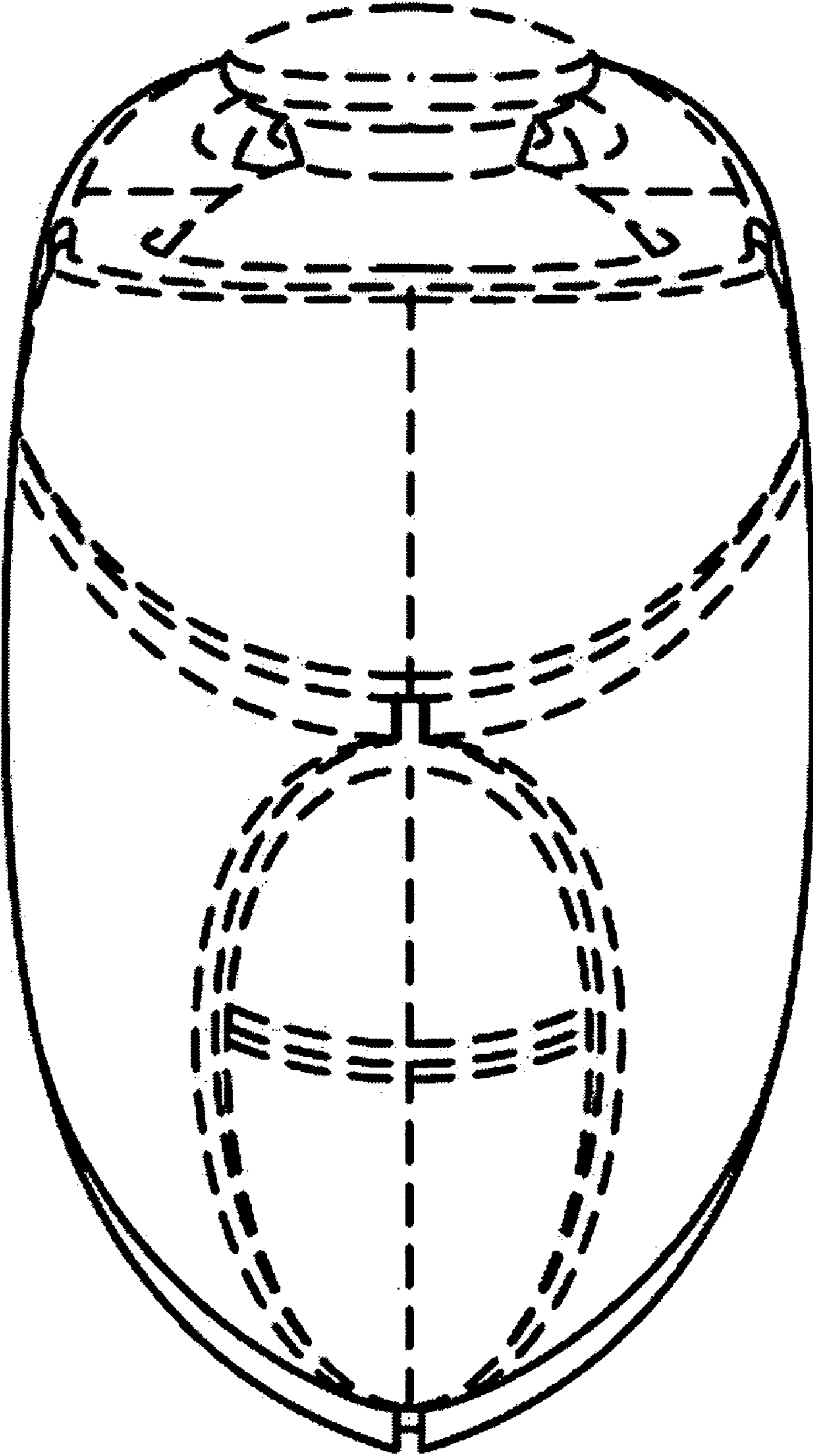


FIG. 13

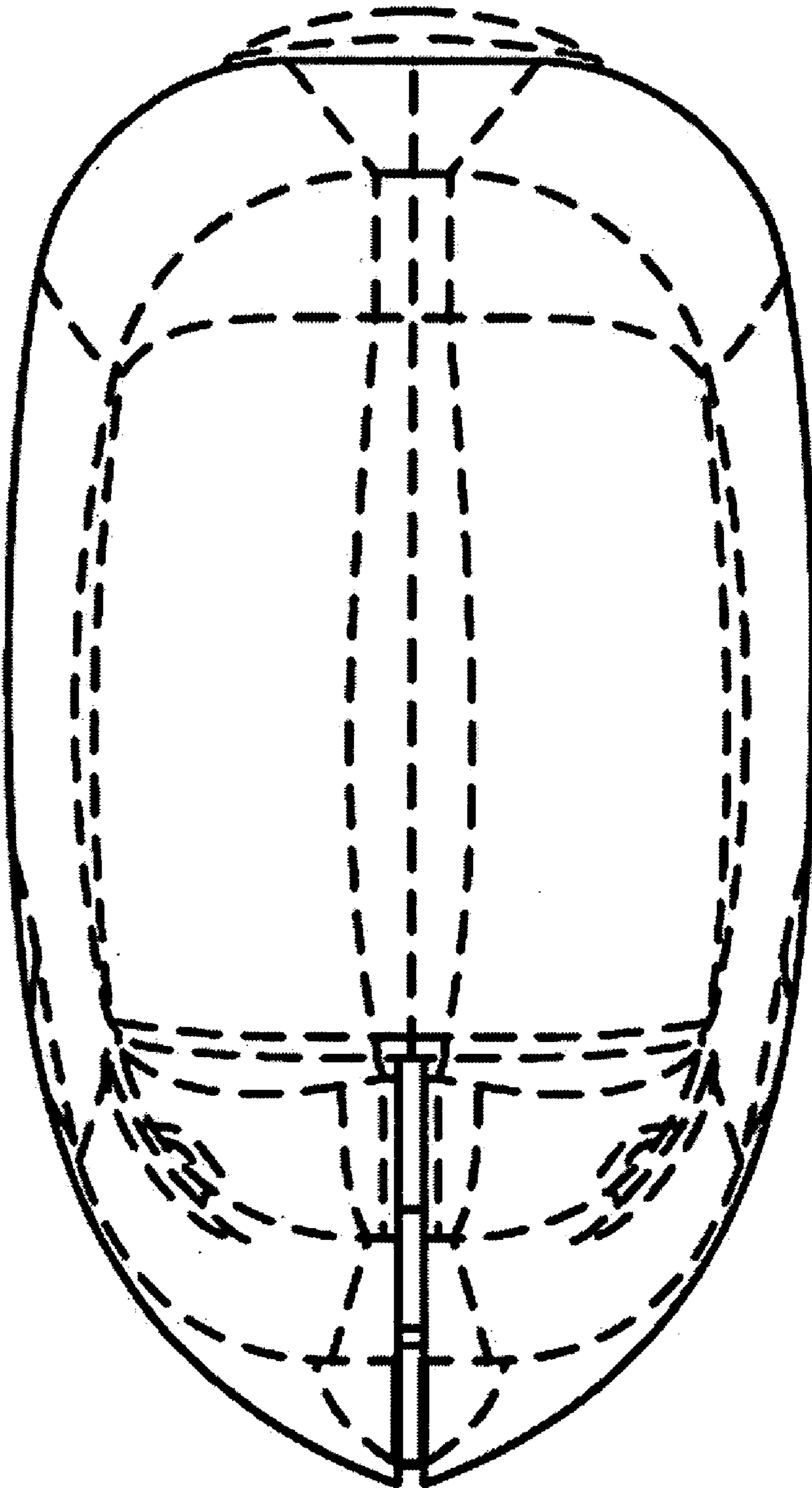


FIG. 14