

US00D611476S

(12) **United States Design Patent**
Busri

(10) **Patent No.:** **US D611,476 S**
(45) **Date of Patent:** **** Mar. 9, 2010**

(54) **TOUCH SCREEN PEN**

(75) Inventor: **Saharudin Bin Busri**, Selangor (MY)

(73) Assignee: **Mimos Berhad**, Kuala Lumpur (MY)

(**) Term: **14 Years**

(21) Appl. No.: **29/318,351**

(22) Filed: **May 19, 2008**

(30) **Foreign Application Priority Data**

Nov. 20, 2007 (MY) 0701700202

(51) **LOC (9) Cl.** **14-02**

(52) **U.S. Cl.** **D14/411**

(58) **Field of Classification Search** D14/402-411,
D14/356, 388, 389, 383-385, 417, 426; 345/156-167,
345/179; 463/36-38; 358/417-473; D19/35,
D19/36, 41, 43, 51, 54, 56, 57
See application file for complete search history.

(56) **References Cited**

U.S. PATENT DOCUMENTS

1,274,966	A *	8/1918	Wentz	30/294
D208,680	S *	9/1967	Summers	D19/51
D332,446	S	1/1993	Lin		
D333,133	S *	2/1993	Hirota	D14/411
D349,490	S	8/1994	Barrett		
D356,306	S *	3/1995	Ady et al.	D14/411
D357,676	S *	4/1995	Mundt et al.	D14/411
D395,875	S *	7/1998	Aiken et al.	D14/411
D395,919	S *	7/1998	Rosenbaum	D19/51
6,014,552	A *	1/2000	Aiken et al.	455/575.1
6,043,807	A *	3/2000	Carroll	345/163
6,229,695	B1 *	5/2001	Moon	361/679.3
D443,300	S *	6/2001	Kim et al.	D19/36
D446,213	S *	8/2001	Chen et al.	D14/411
D453,354	S *	2/2002	Ikenaga et al.	D19/36
6,392,639	B1 *	5/2002	Lee et al.	345/179
D458,635	S *	6/2002	Boyle et al.	D19/36

6,410,865	B1 *	6/2002	Liu et al.	178/19.01
D461,499	S *	8/2002	Boyle et al.	D19/36
D462,356	S *	9/2002	Ono et al.	D14/411
6,450,721	B1 *	9/2002	D'Amico et al.	401/258
6,473,076	B1 *	10/2002	Thompson et al.	345/179
6,507,336	B1 *	1/2003	Lunsford	345/168
D470,143	S	2/2003	Uehara		
D472,240	S	3/2003	Seog		
6,575,596	B2 *	6/2003	Butt	362/259
D479,842	S	9/2003	Liu et al.		
6,621,697	B2 *	9/2003	O'Hara et al.	361/679.41
D487,746	S	3/2004	Fitch et al.		
D496,401	S *	9/2004	Anand	D19/51
6,830,404	B2 *	12/2004	Nagaoka	401/258
D500,790	S	1/2005	Jaakkola		
D501,505	S *	2/2005	Chien	D19/36
6,850,230	B1 *	2/2005	Vincent et al.	345/179
D530,372	S *	10/2006	Sugino et al.	D19/36
D534,957	S *	1/2007	de Baschmakoff	D19/51
D547,799	S	7/2007	Granick		
7,362,563	B2 *	4/2008	Love	361/679.01
D588,638	S *	3/2009	Busri	D19/36

* cited by examiner

Primary Examiner—Cathron C Brooks
Assistant Examiner—Deanna Fluegeman
(74) *Attorney, Agent, or Firm*—Butzel Long

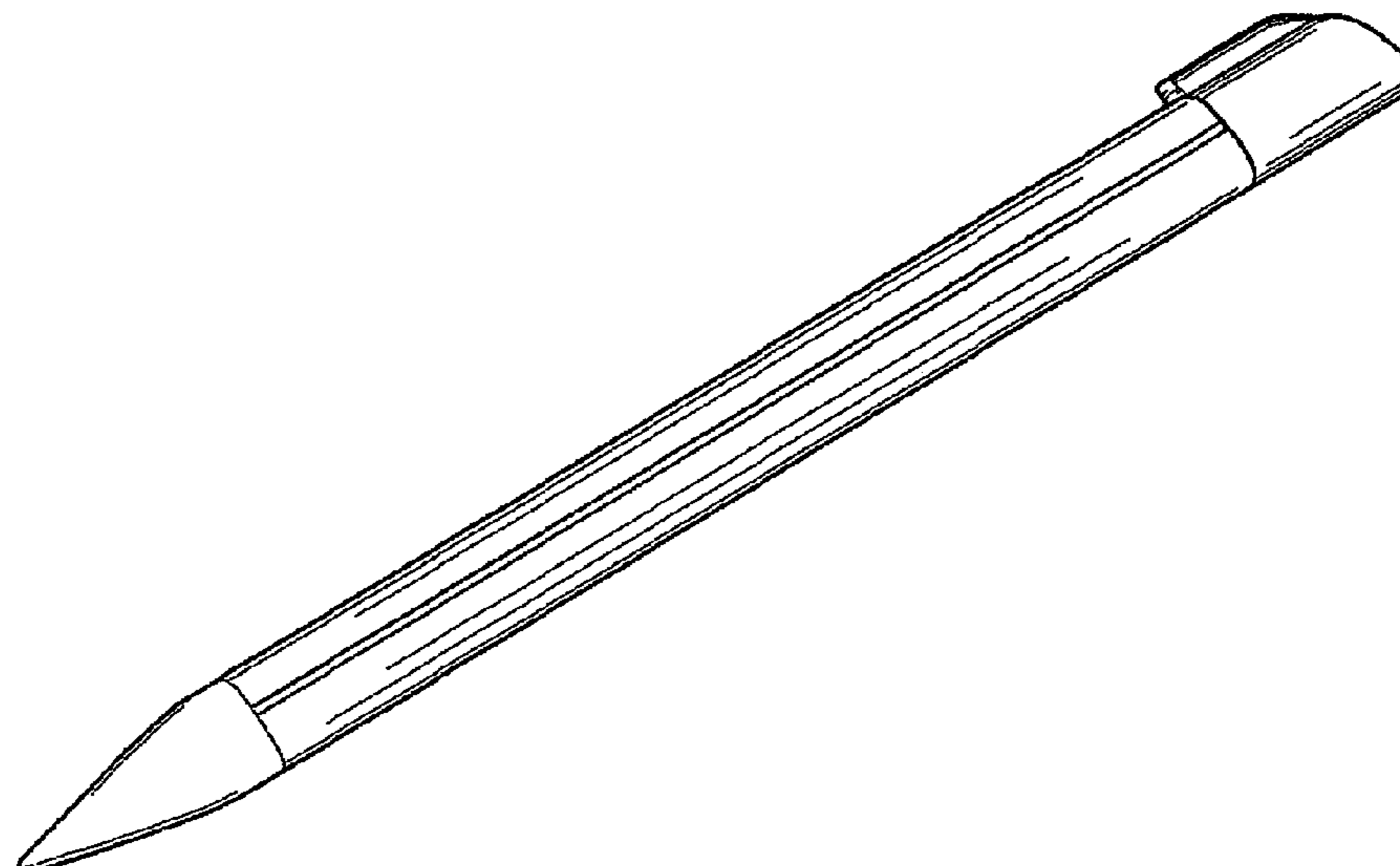
(57) **CLAIM**

The ornamental design for a touch screen pen, as shown and described.

DESCRIPTION

FIG. 1 is a perspective view of the present invention;
FIG. 2 is a side view thereof;
FIG. 3 is a top view thereof;
FIG. 4 is a bottom view thereof;
FIG. 5 is a front view thereof; and,
FIG. 6 is a back view thereof.

1 Claim, 2 Drawing Sheets



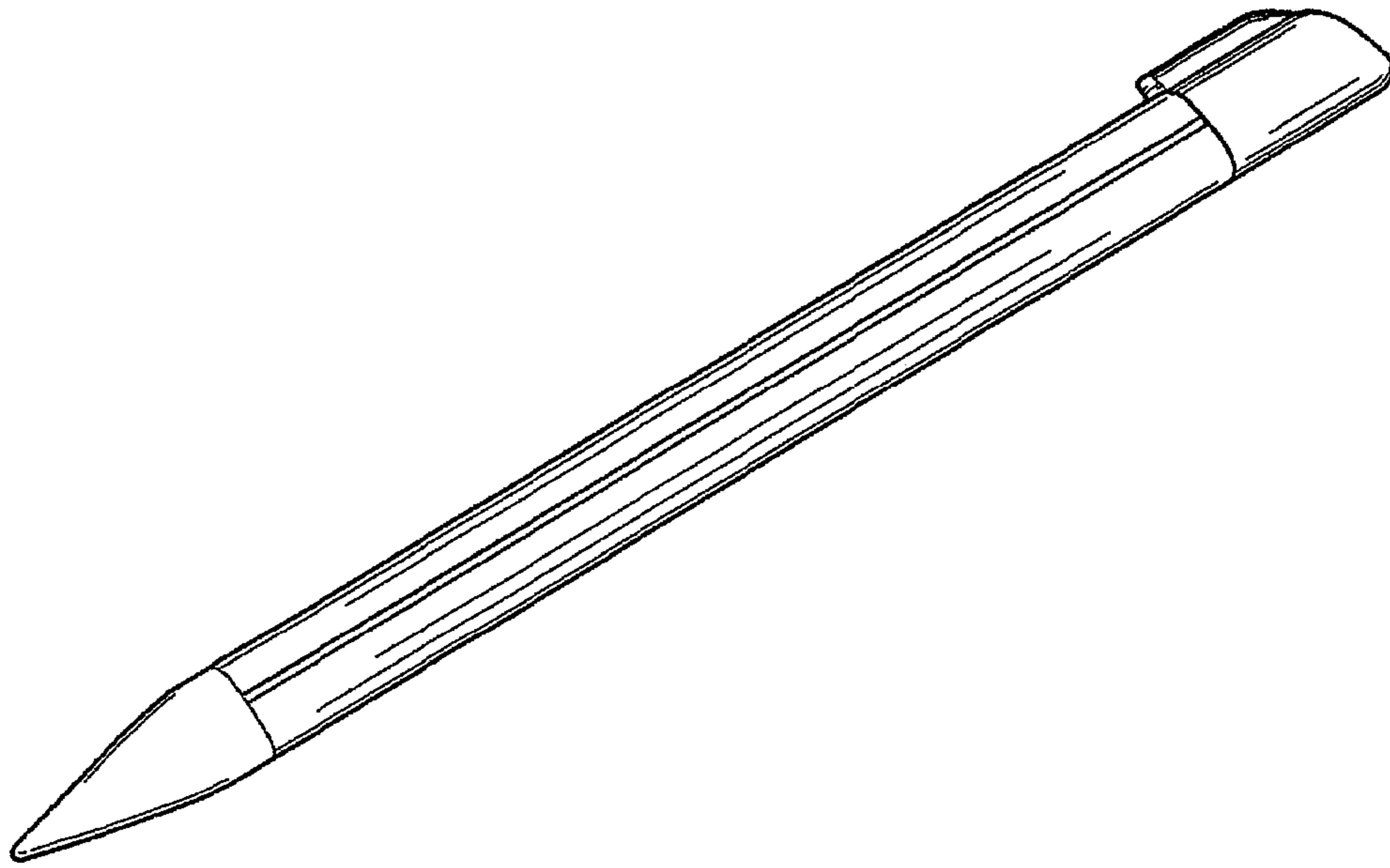


FIG - 1

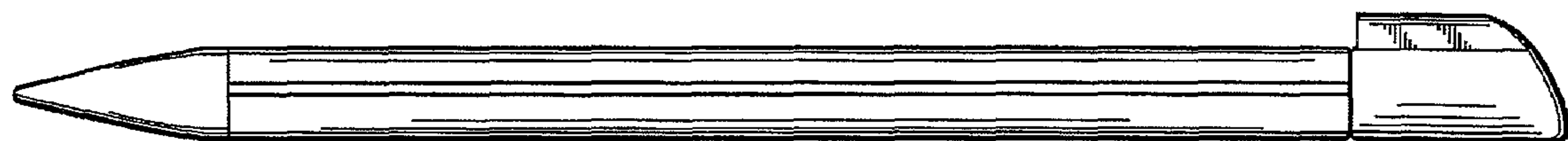


FIG - 2

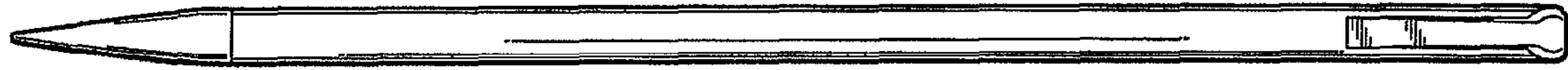


FIG - 3

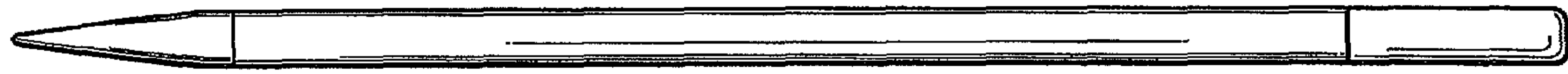


FIG - 4



FIG - 5

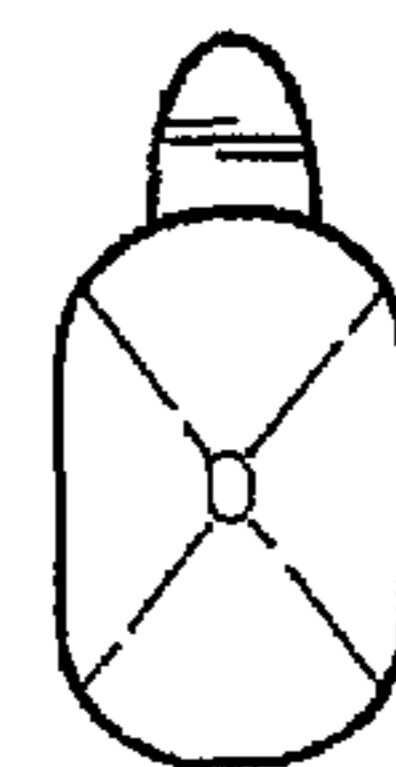


FIG - 6