



US00D611474S

(12) **United States Design Patent**
Chatterjee et al.

(10) **Patent No.:** **US D611,474 S**
(45) **Date of Patent:** **** Mar. 9, 2010**

(54) **COMPUTER INPUT DEVICE**

(75) Inventors: **Monique Chatterjee**, Seattle, WA (US);
Jonah Becker, San Francisco, CA (US);
Claude Zellweger, San Francisco, CA
(US); **Audrey Louchart**, San Francisco,
CA (US); **Eric Joseph Wahl**, Kirkland,
WA (US)

(73) Assignee: **Microsoft Corporation**, Redmond, WA
(US)

(**) Term: **14 Years**

(21) Appl. No.: **29/299,874**

(22) Filed: **Jan. 6, 2008**

(51) **LOC (9) Cl.** **14-02**

(52) **U.S. Cl.** **D14/402**

(58) **Field of Classification Search** D14/402–410,
D14/356, 388, 389, 383–385, 417, 426, 218;
345/156–167; 463/36–38; 358/471, 473

See application file for complete search history.

(56) **References Cited**

U.S. PATENT DOCUMENTS

5,212,567	A	5/1993	Kawai et al.	
D375,729	S	11/1996	Aeschbacher et al.	
D382,550	S *	8/1997	Kaneko et al.	D14/454
D385,540	S	10/1997	Taylor	
D424,550	S *	5/2000	Su	D14/410
D439,252	S *	3/2001	Ledbetter et al.	D14/402
D453,503	S	2/2002	Fitzsimmons et al.	
D458,261	S	6/2002	Tsai	
D471,198	S *	3/2003	Guo et al.	D14/402
D472,899	S *	4/2003	Hu et al.	D14/402
D474,769	S *	5/2003	Fisher et al.	D14/408
6,636,198	B1	10/2003	Gross et al.	
D493,796	S	8/2004	Lin et al.	
D506,198	S *	6/2005	Sheehan et al.	D14/408
D507,573	S	7/2005	Wang et al.	

D513,004	S *	12/2005	Chen	D14/408
D527,006	S *	8/2006	Francz et al.	D14/402
D528,118	S *	9/2006	Canavan et al.	D14/407
D532,787	S *	11/2006	Lu	D14/408
D534,535	S	1/2007	Tzeng et al.	
D540,324	S *	4/2007	Fisher	D14/402
D544,482	S *	6/2007	Chatterjee	D14/408
D545,822	S	7/2007	Murakami	
D549,703	S *	8/2007	Nakata	D14/402
D552,092	S *	10/2007	Fisher et al.	D14/402
7,312,789	B2 *	12/2007	Koike et al.	345/163
D581,415	S *	11/2008	Hengel et al.	D14/402

* cited by examiner

Primary Examiner—Cathron C Brooks

Assistant Examiner—Deanna Fluegeman

(74) *Attorney, Agent, or Firm*—Banner & Witcoff, Ltd.

(57) **CLAIM**

The ornamental design for a computer input device, as shown and described.

DESCRIPTION

FIG. 1 is a perspective view illustrating a scroll wheel region of the design.

FIG. 2 is a front view thereof.

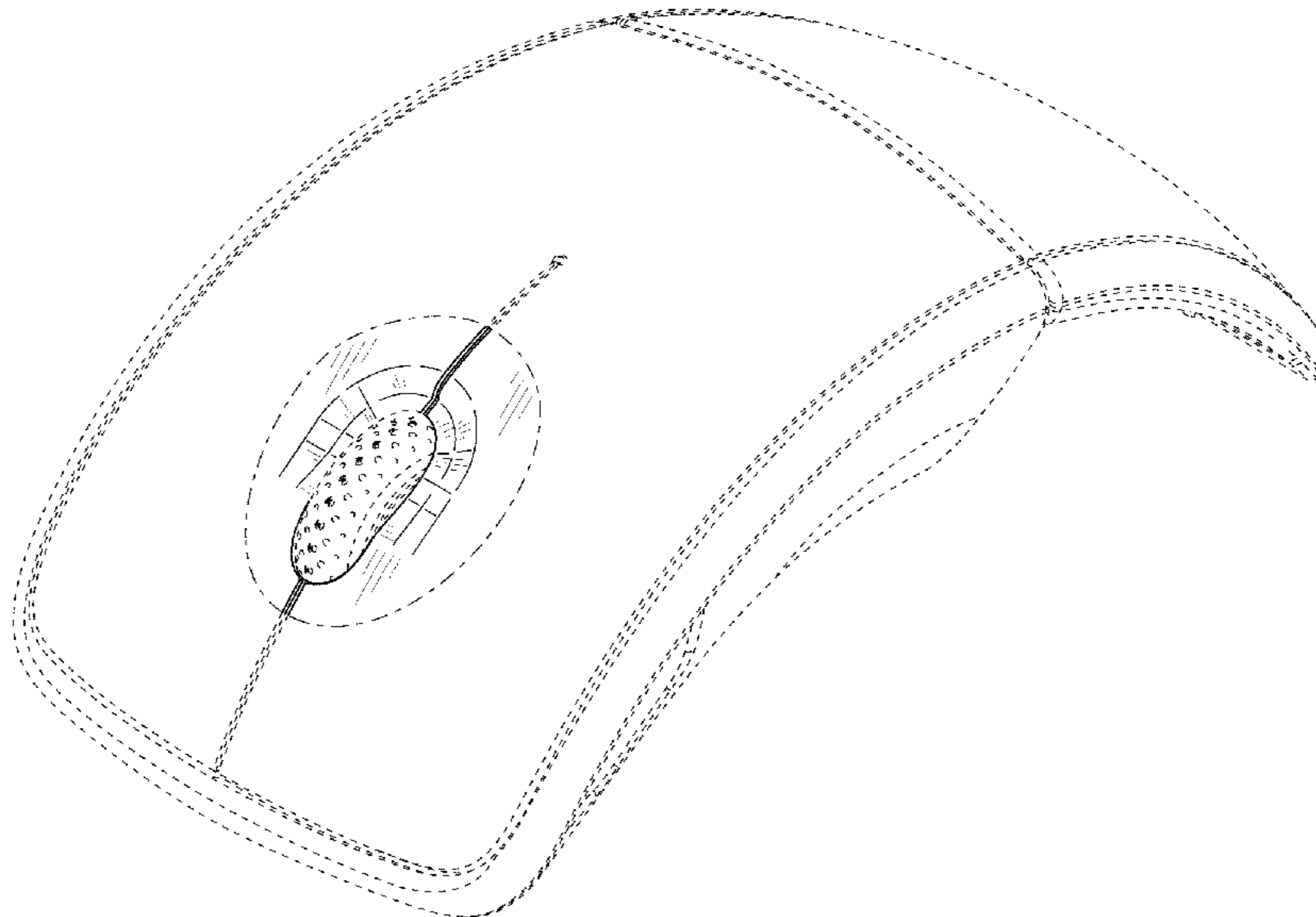
FIG. 3 is a first side view thereof.

FIG. 4 is a second side view thereof; and,

FIG. 5 a top view thereof.

Unshown portions of the computer input device form no part of the claimed design. The dot-dash-dot broken line which defines the bounds of the claimed design form no part thereof. The scroll wheel is shown for illustrative purposes and forms no part of the claimed design. The portions of the computer input device illustrated with broken lines are included for the purpose of illustrating unclaimed portions of the design and form no part of the claimed design.

1 Claim, 4 Drawing Sheets



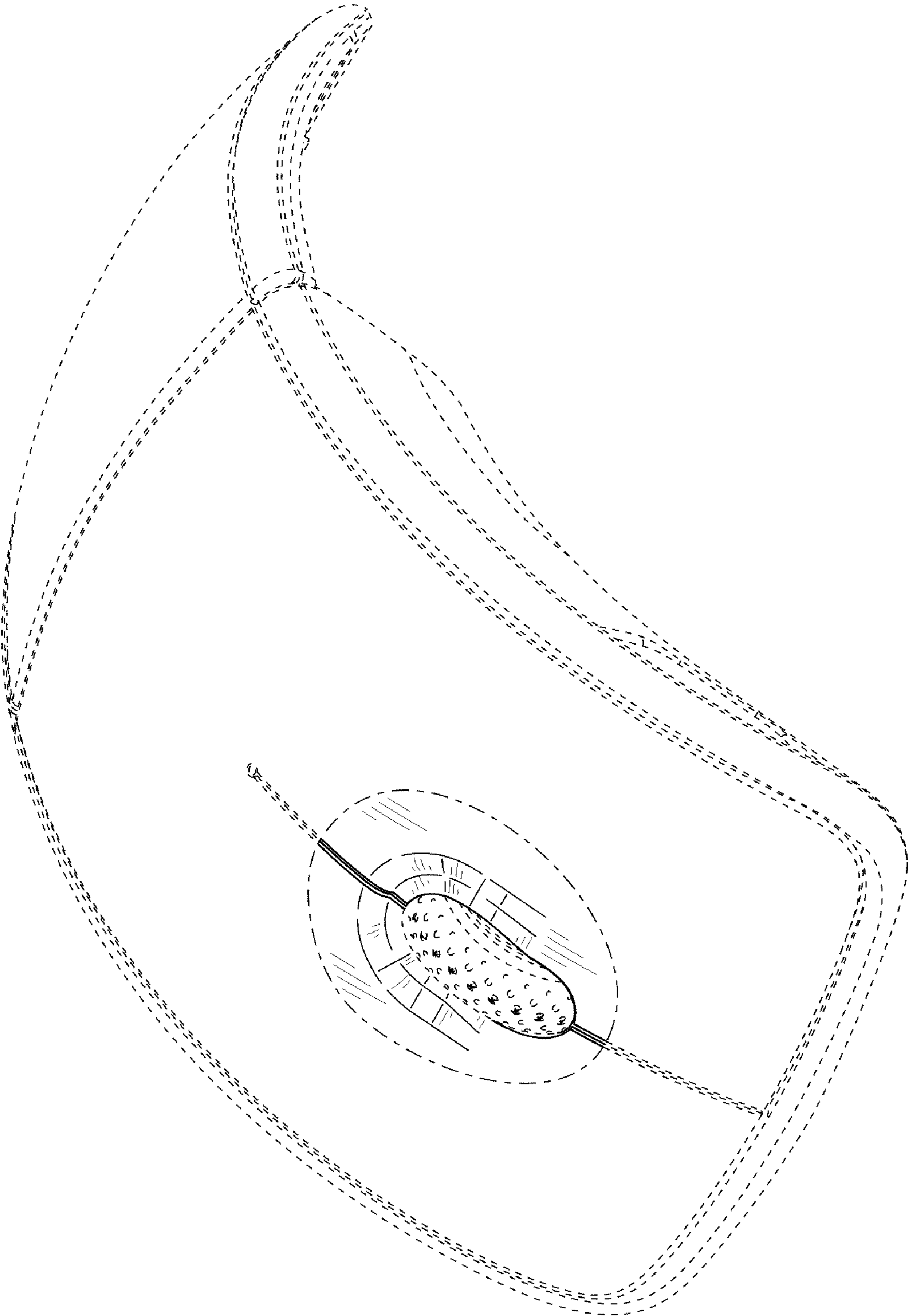


FIG. 1

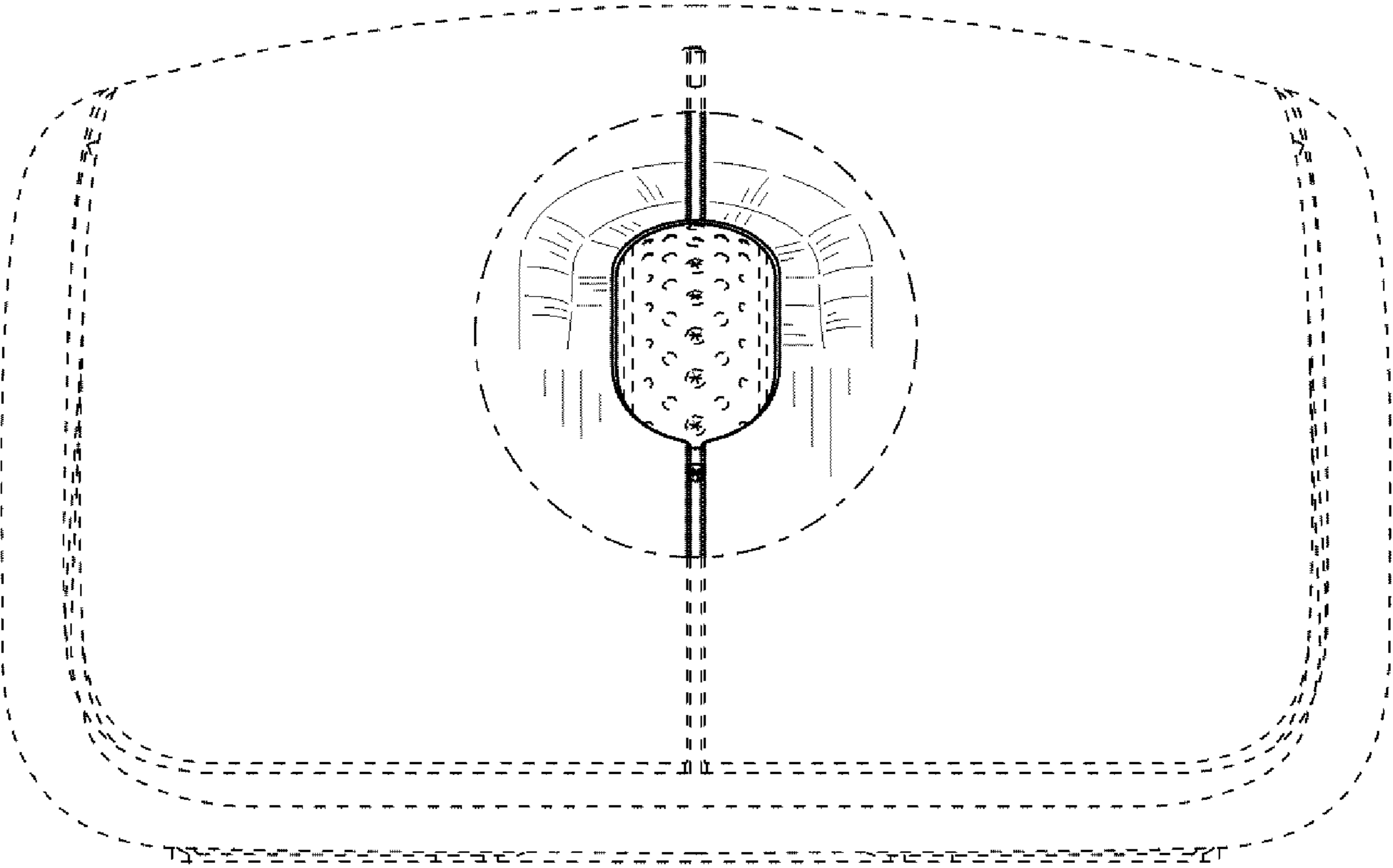


FIG. 2

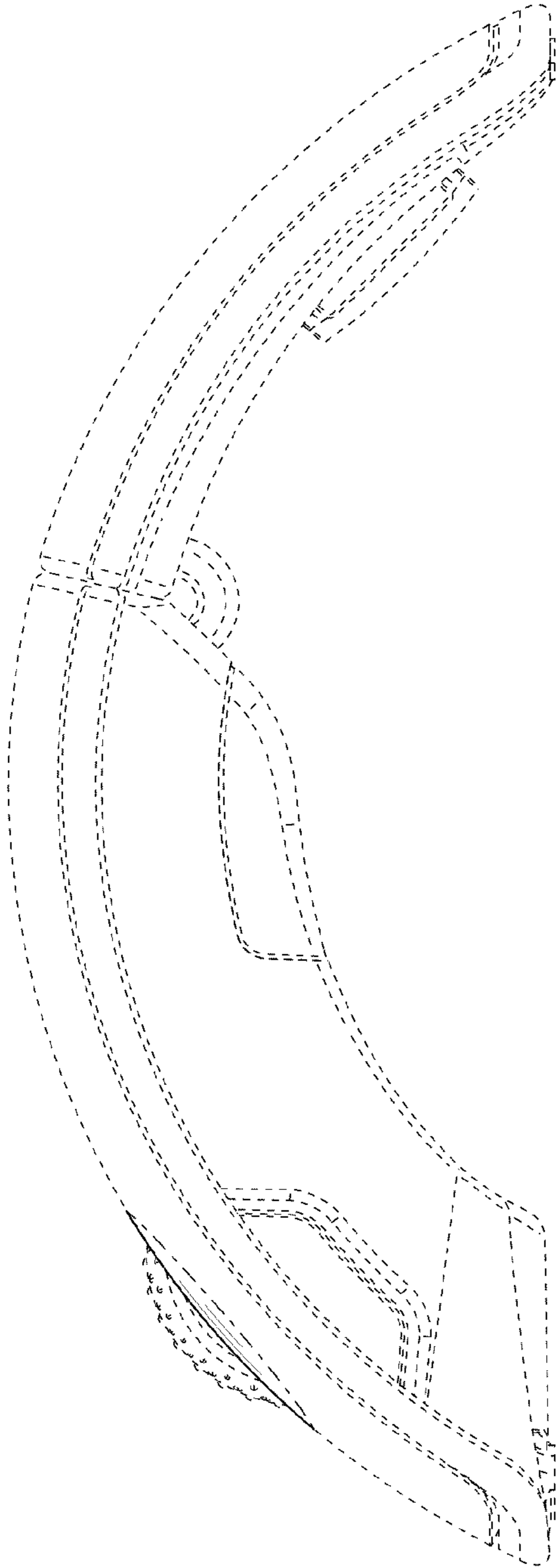


FIG. 3

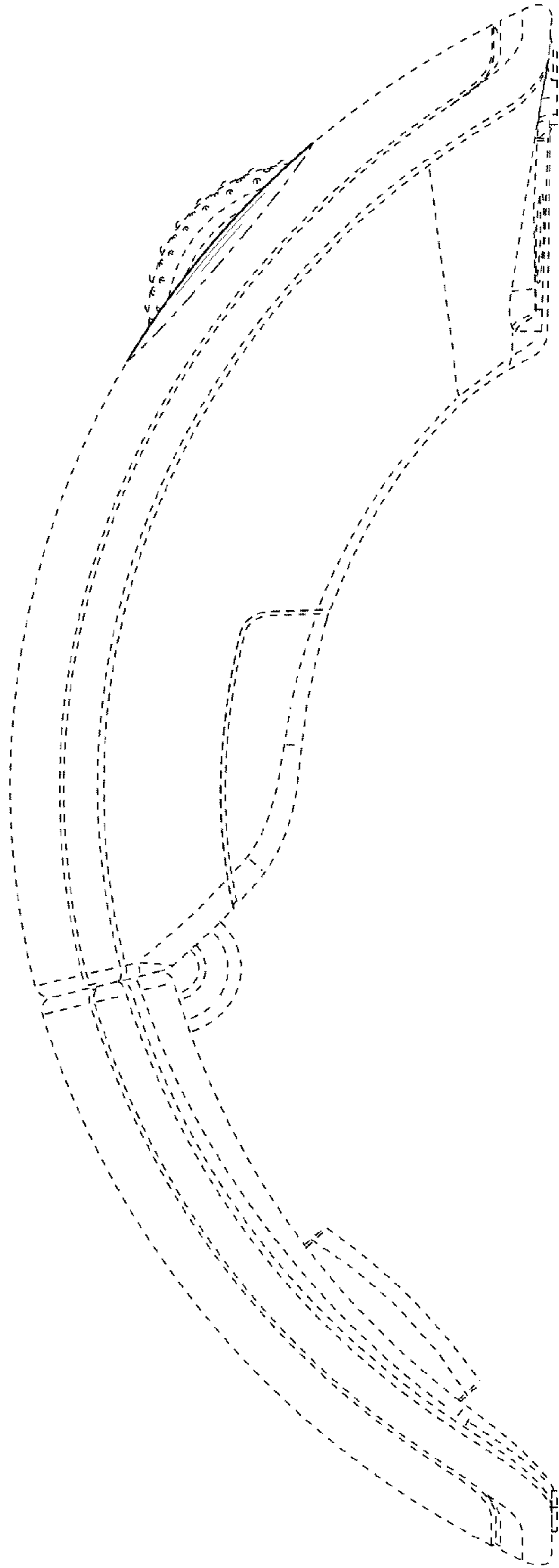


FIG. 4

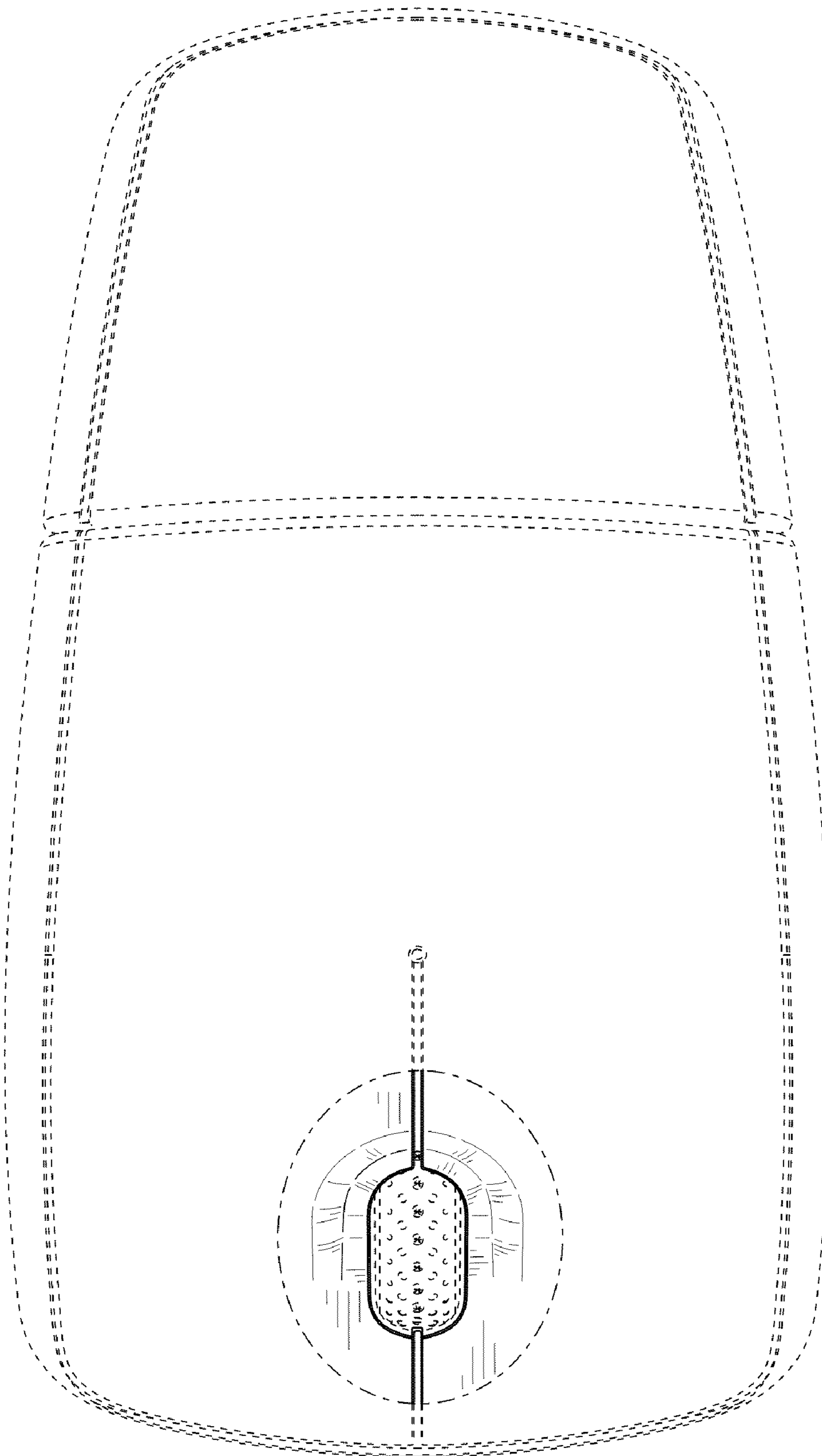


FIG. 5