



US00D611473S

(12) **United States Design Patent**
Lee

(10) **Patent No.:** **US D611,473 S**
(45) **Date of Patent:** **** Mar. 9, 2010**

(54) **MONITOR**

(75) Inventor: **Sang Ho Lee**, Gyeonggi-do (KR)

(73) Assignee: **LG Electronics Inc.**, Seoul (KR)

(**) Term: **14 Years**

(21) Appl. No.: **29/341,420**

(22) Filed: **Aug. 5, 2009**

(30) **Foreign Application Priority Data**

Feb. 18, 2009 (KR) 30-2009-0006825

(51) **LOC (9) Cl.** **14-02**

(52) **U.S. Cl.** **D14/371; D14/449**

(58) **Field of Classification Search** D14/371-376,
D14/125-129, 377, 448-450, 317; 248/917-924,
248/278.1; 341/12; 345/104, 156, 173, 174,
345/901-905; 348/180, 184, 325, 739, 837;
361/679.08, 679.23; 349/1, 2, 11, 58

See application file for complete search history.

(56) **References Cited**

U.S. PATENT DOCUMENTS

5,121,253 A * 6/1992 Waintroub 359/601
5,243,463 A * 9/1993 Waintroub 359/601
D360,626 S * 7/1995 MacMurtrie D14/450

D385,543 S * 10/1997 Phirippidis et al. D14/449
5,900,979 A * 5/1999 Heller et al. 359/609
6,144,418 A * 11/2000 Kappel et al. 348/834
6,807,051 B2 * 10/2004 Takahashi 361/679.23
D514,582 S * 2/2006 Dulberger D14/449
D522,509 S * 6/2006 Park et al. D14/375
D561,130 S * 2/2008 Won et al. D14/126

* cited by examiner

Primary Examiner—Freda S Nunn

(74) *Attorney, Agent, or Firm*—Morgan Lewis & Bockius LLP

(57) **CLAIM**

The ornamental design for a monitor, as shown and described.

DESCRIPTION

FIG. 1 is a top, front, perspective view of a monitor showing my new design;

FIG. 2 is a front view thereof;

FIG. 3 is a rear view thereof;

FIG. 4 is a left side view thereof;

FIG. 5 is a right side view thereof;

FIG. 6 is a top plan view thereof; and,

FIG. 7 is a bottom plan view thereof.

1 Claim, 4 Drawing Sheets

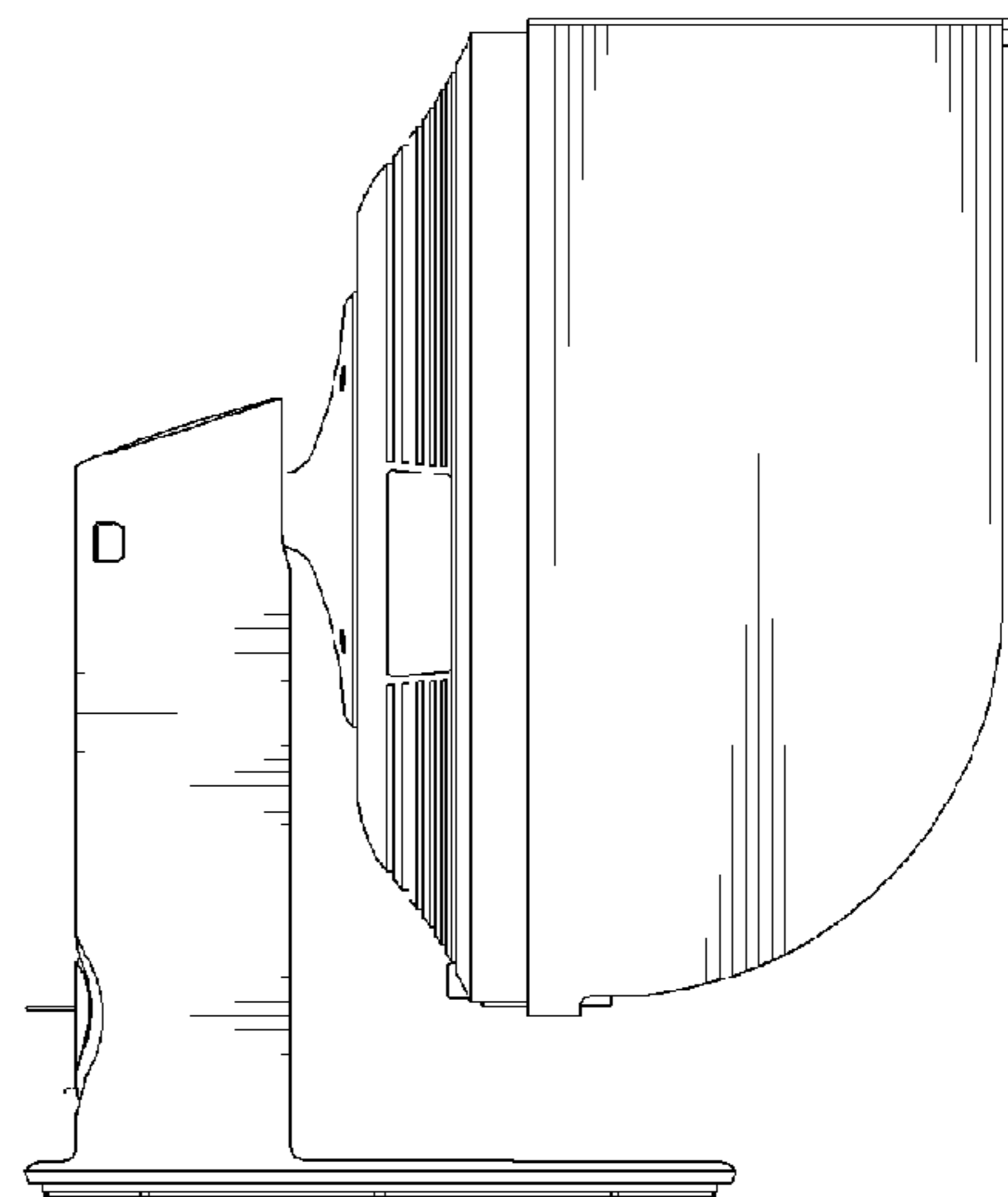
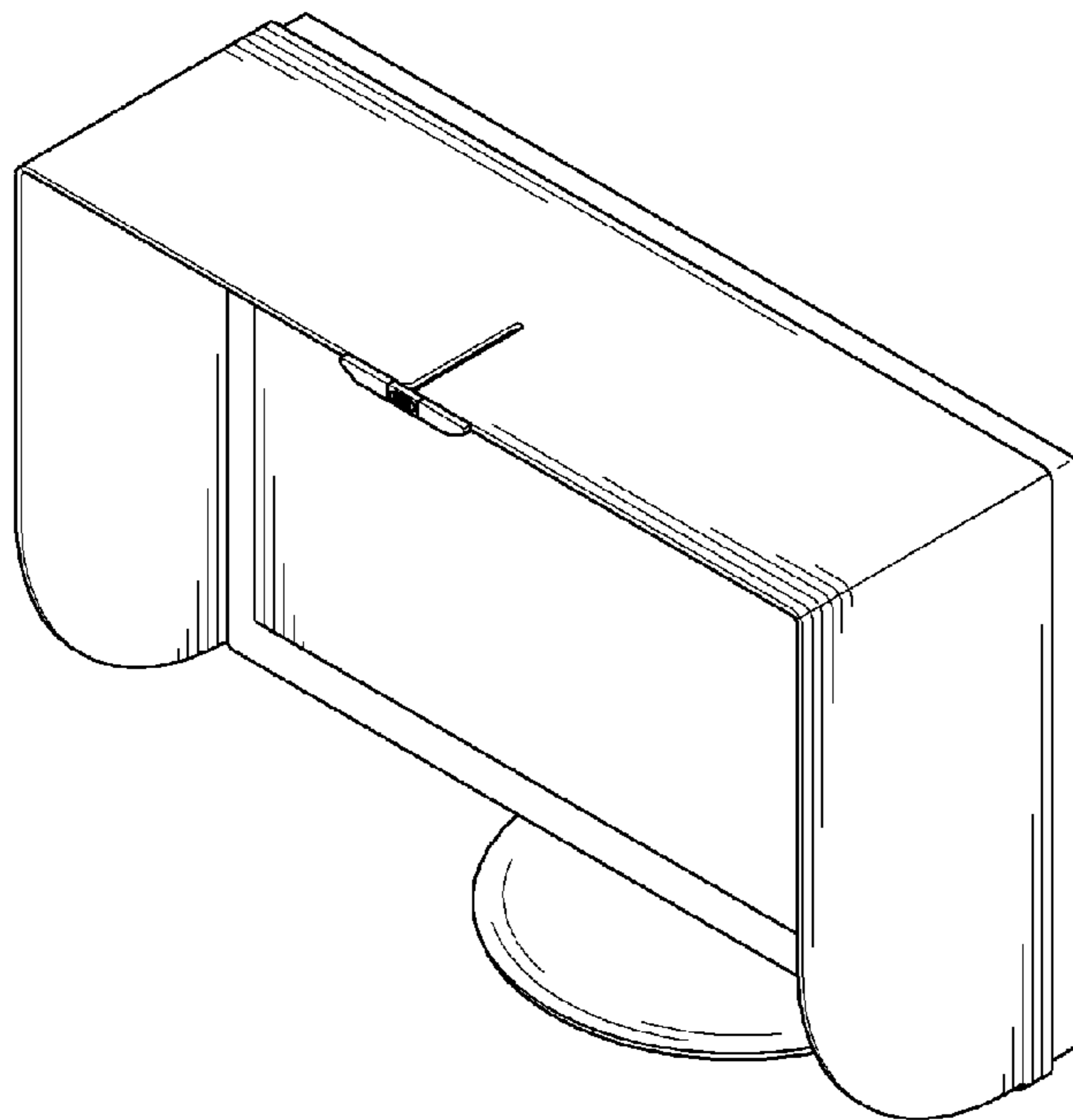


FIG. 1

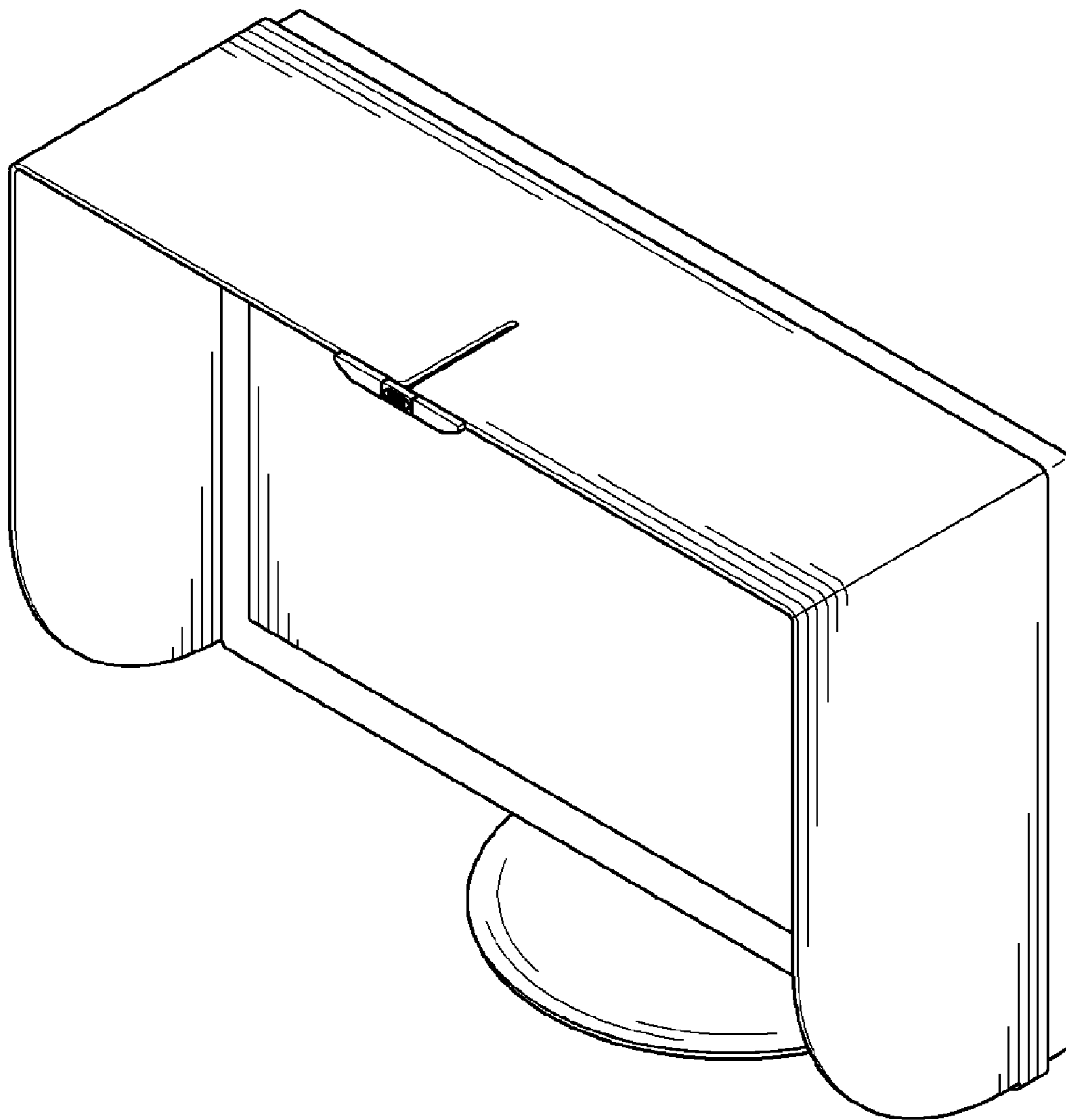


FIG. 2

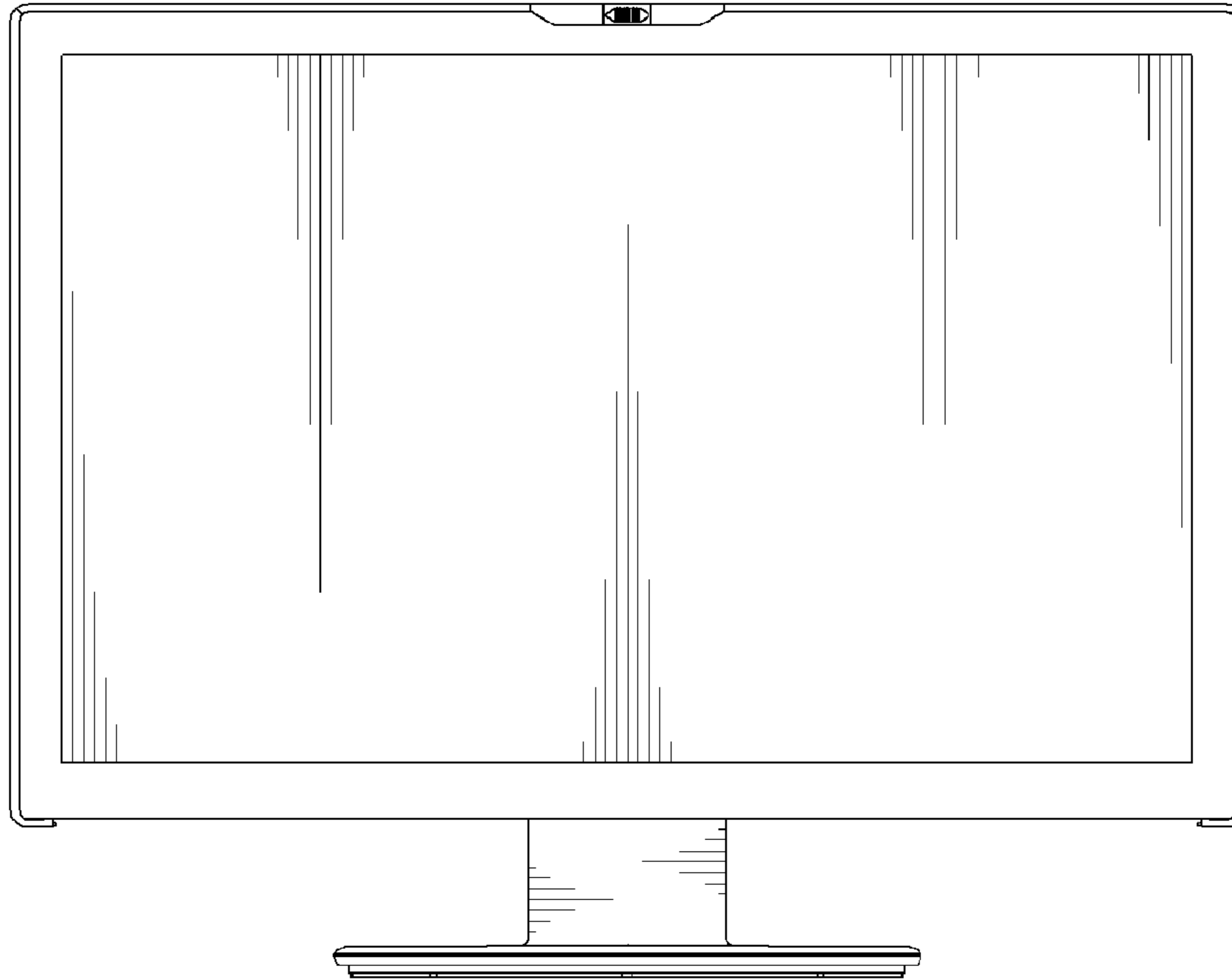


FIG. 3

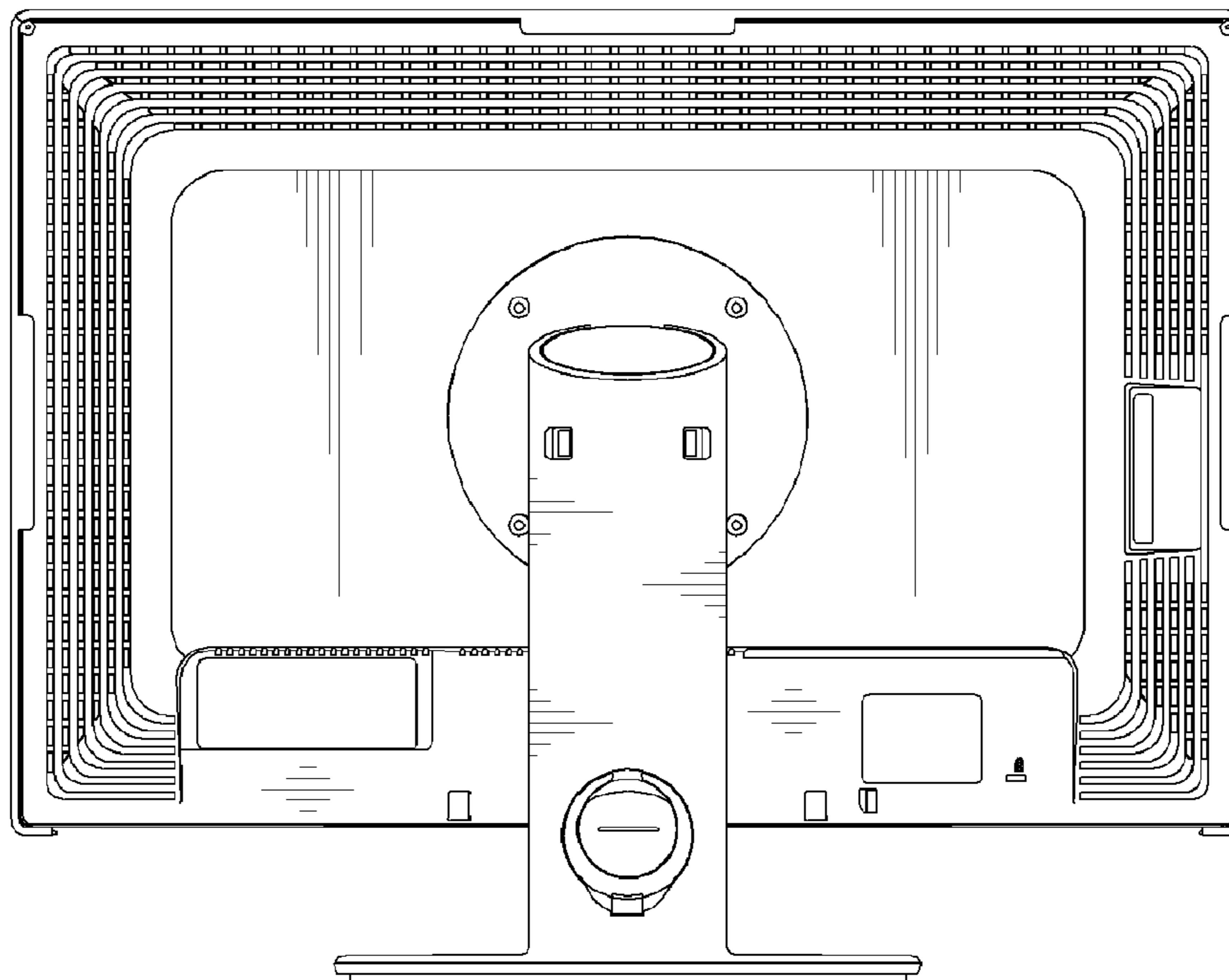


FIG. 4

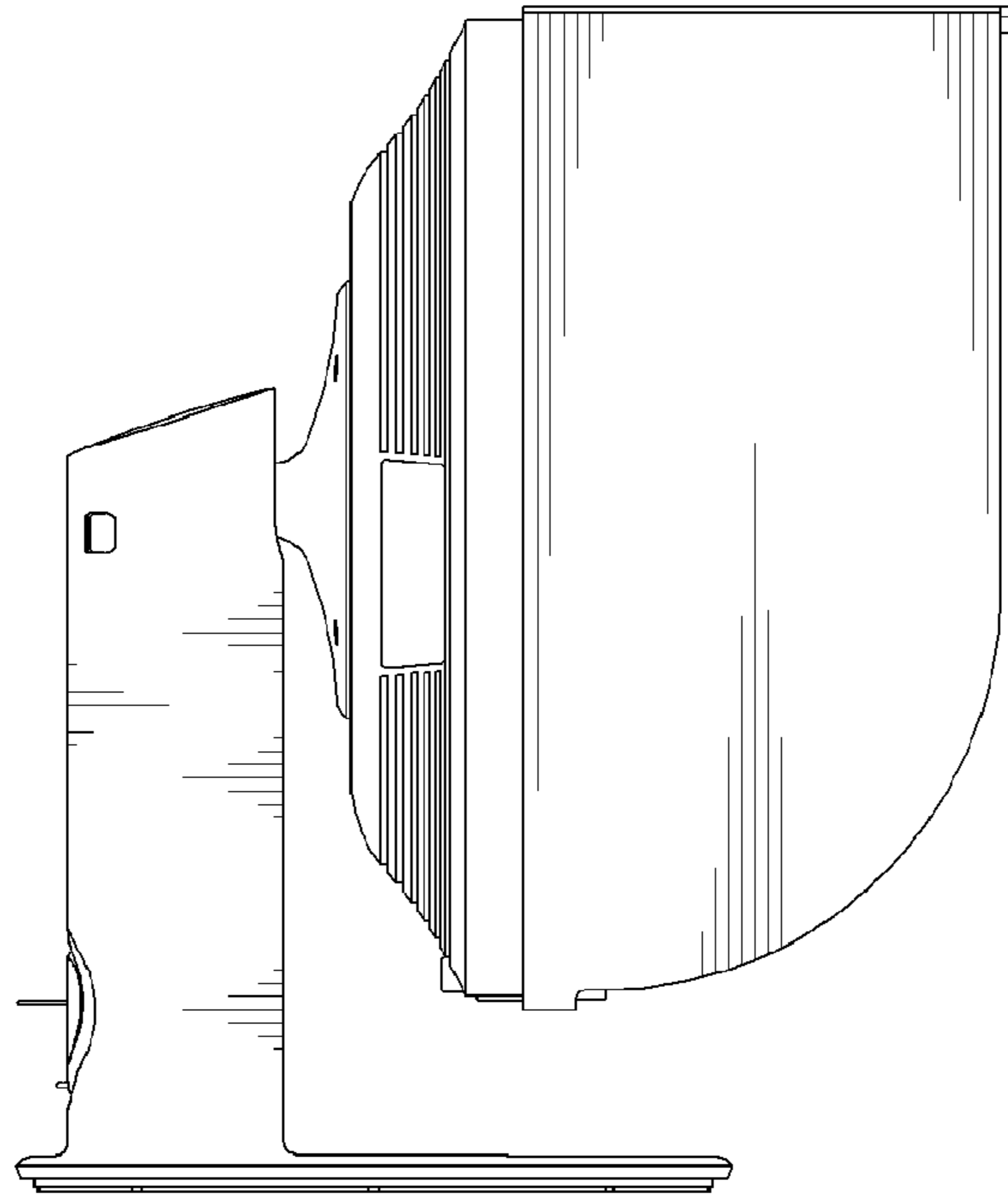


FIG. 5

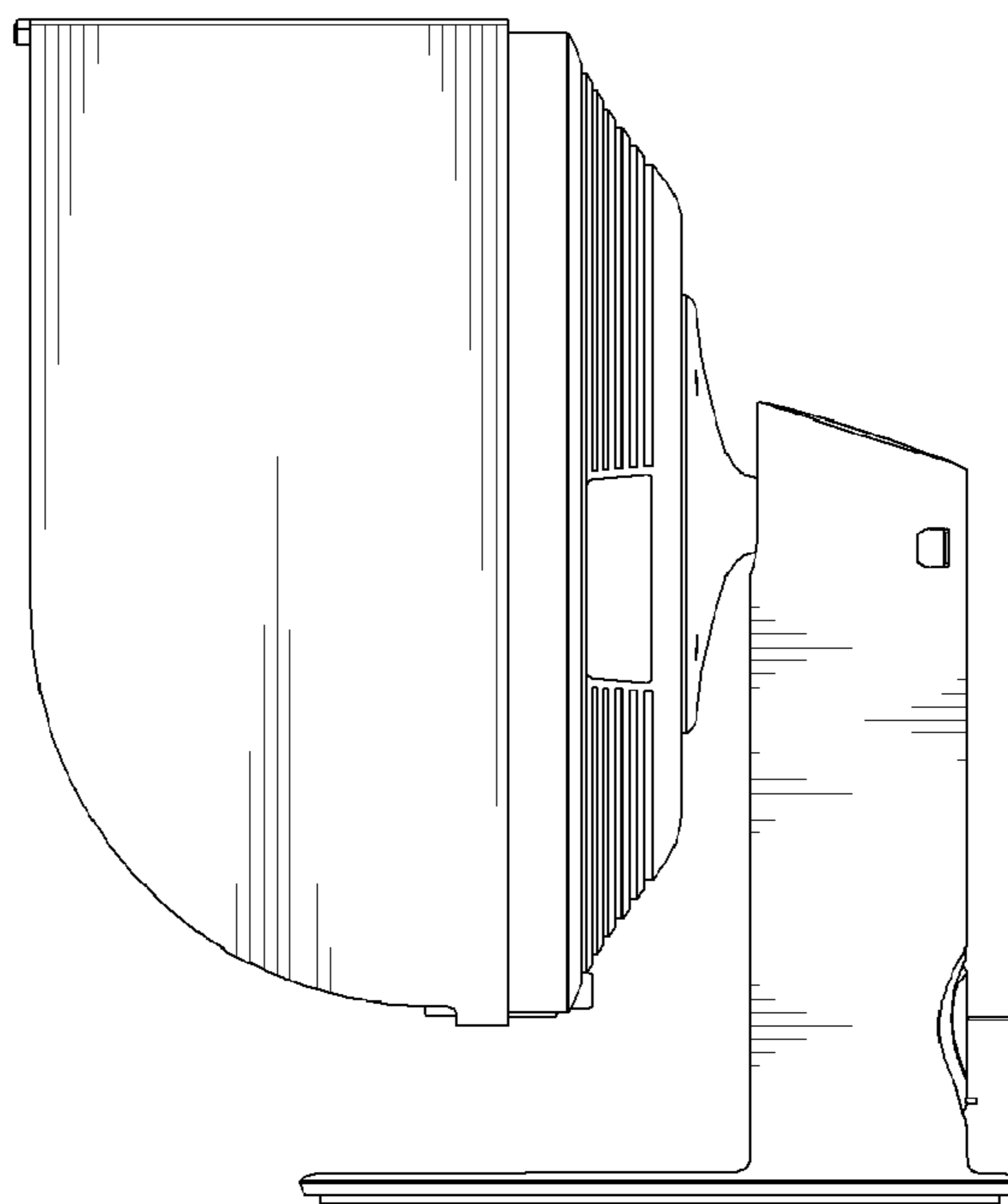


FIG. 6

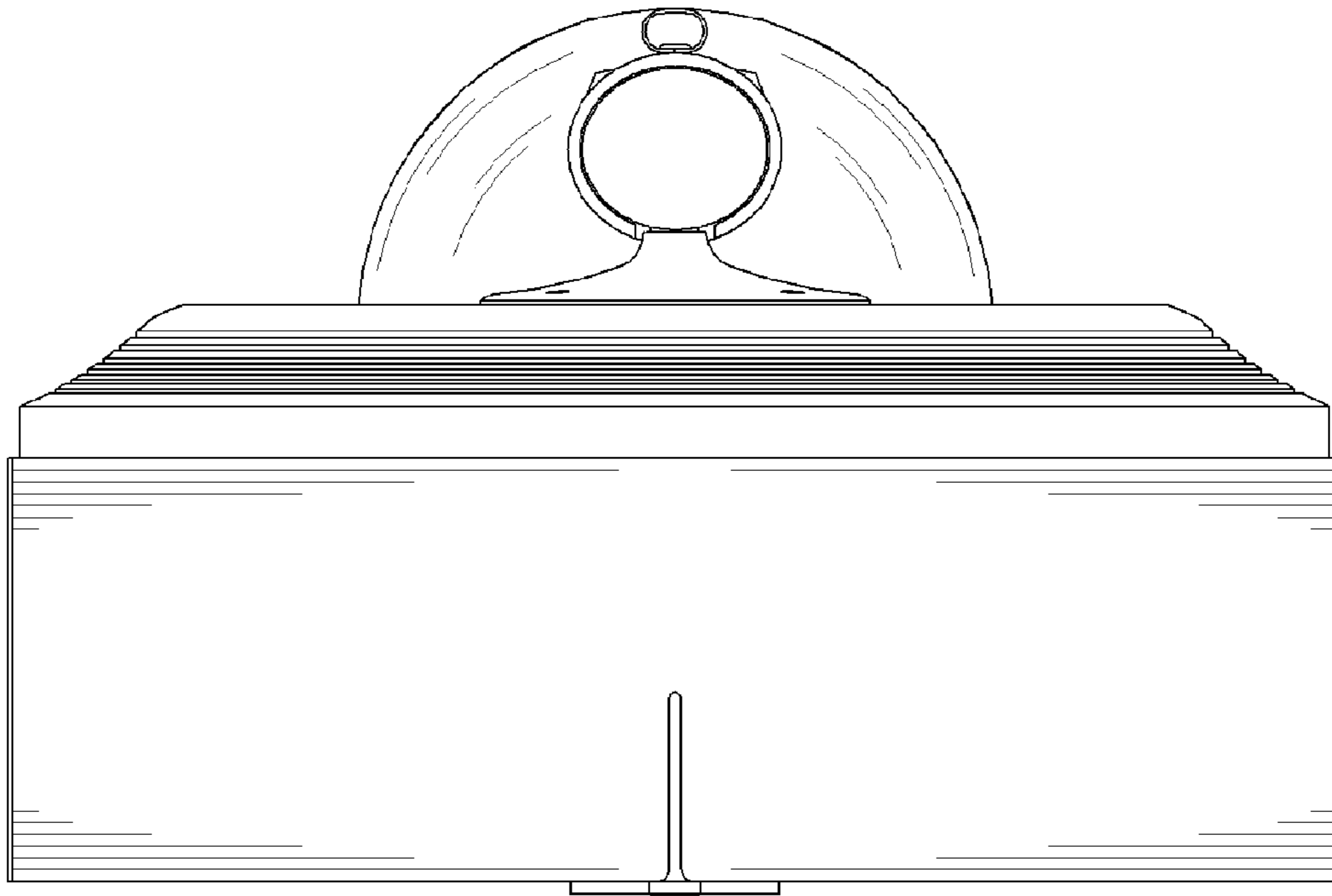


FIG. 7

