



US00D611472S

(12) **United States Design Patent**  
**Chen**

(10) **Patent No.:** **US D611,472 S**

(45) **Date of Patent:** **\*\* Mar. 9, 2010**

(54) **DISPLAY**

(75) Inventor: **Song-Ya Chen**, Shenzhen (CN)

(73) Assignee: **Hon Hai Precision Industry Co., Ltd.**,  
Tu-Cheng, Taipei Hsien (TW)

(\*\*) Term: **14 Years**

(21) Appl. No.: **29/337,277**

(22) Filed: **May 19, 2009**

(30) **Foreign Application Priority Data**

Dec. 17, 2008 (CN) ..... 2008 3 0303207

(51) **LOC (9) Cl.** ..... **14-02**

(52) **U.S. Cl.** ..... **D14/371; D14/374**

(58) **Field of Classification Search** ..... D14/371-376,  
D14/125-129, 336, 341, 132; 248/917-924,  
248/291.1, 278.1; 341/12; 345/104, 156,  
345/173, 174, 901-905; 348/180, 184, 325,  
348/739, 837; 349/1, 2, 11, 58; D18/12.3;  
361/679.22

See application file for complete search history.

(56) **References Cited**

**U.S. PATENT DOCUMENTS**

D424,034 S \* 5/2000 Li ..... D14/374  
D424,068 S \* 5/2000 Takemasa ..... D14/374  
6,064,373 A \* 5/2000 Ditzik ..... 345/173  
6,094,340 A \* 7/2000 Min ..... 361/679.22

D454,565 S \* 3/2002 Harriman ..... D14/374  
D514,104 S \* 1/2006 Kawamoto et al. .... D14/374  
D519,117 S \* 4/2006 Lewis ..... D14/374  
D559,251 S \* 1/2008 Sandmael ..... D14/374  
D584,309 S \* 1/2009 Kim et al. .... D14/374  
2002/0020792 A1 \* 2/2002 Lee ..... 248/278.1  
2004/0155166 A1 \* 8/2004 Kim ..... 248/291.1

\* cited by examiner

*Primary Examiner*—Freda S Nunn

(74) *Attorney, Agent, or Firm*—Frank R. Niranjan

(57) **CLAIM**

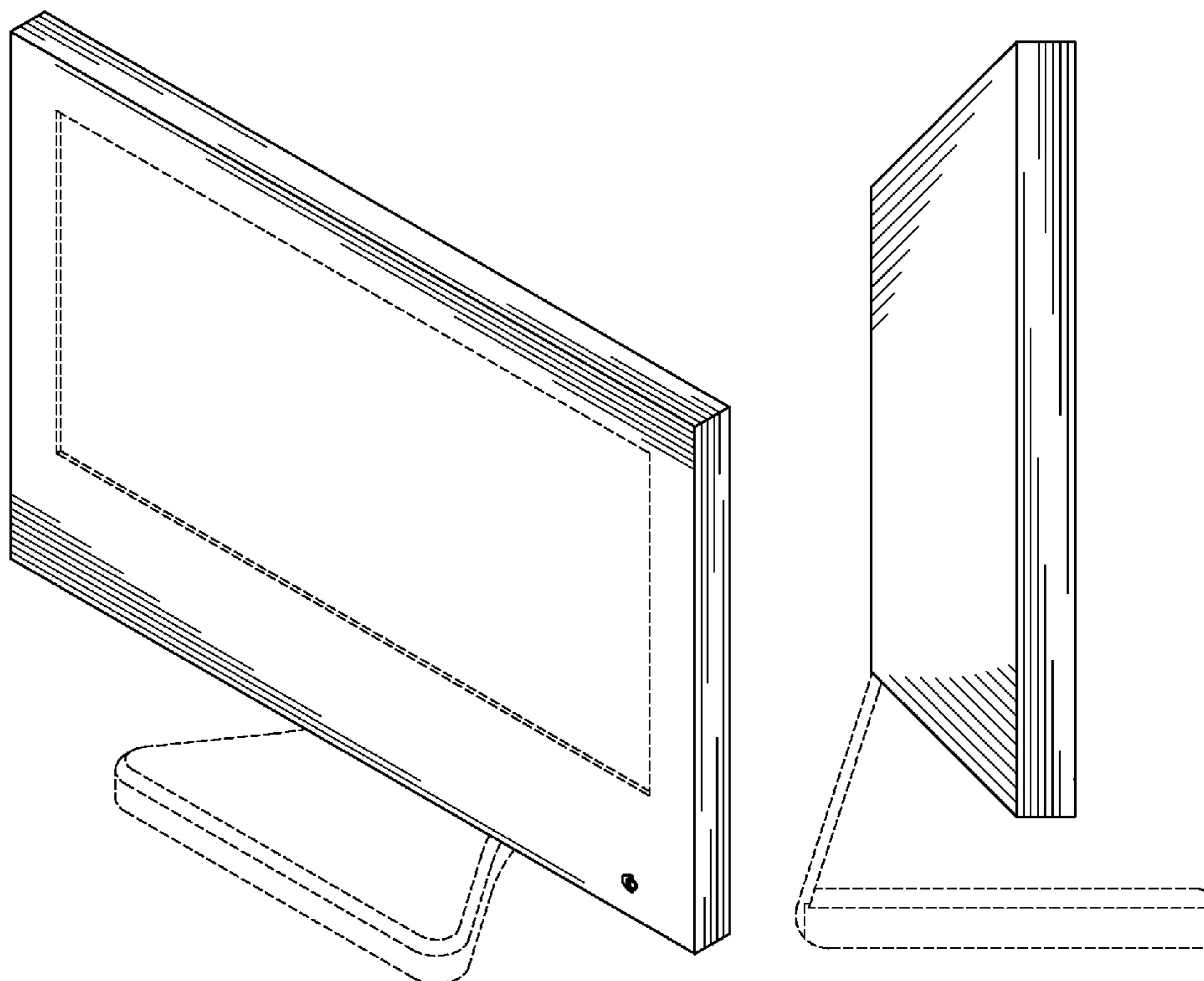
The ornamental design for display, as shown and described.

**DESCRIPTION**

FIG. 1 is a perspective view of a display showing my design;  
FIG. 2 is a front elevational view thereof;  
FIG. 3 is a left side, elevational view thereof;  
FIG. 4 is a right side, elevational view thereof;  
FIG. 5 is a top plan view thereof;  
FIG. 6 is a bottom plan view thereof; and,  
FIG. 7 is an enlarged view of the element shown within circle  
VII of FIG. 2.

Broken lines shown in the drawings illustrate portions of the  
display and the details of the enlarged view, and form no part  
of the claimed design.

**1 Claim, 7 Drawing Sheets**



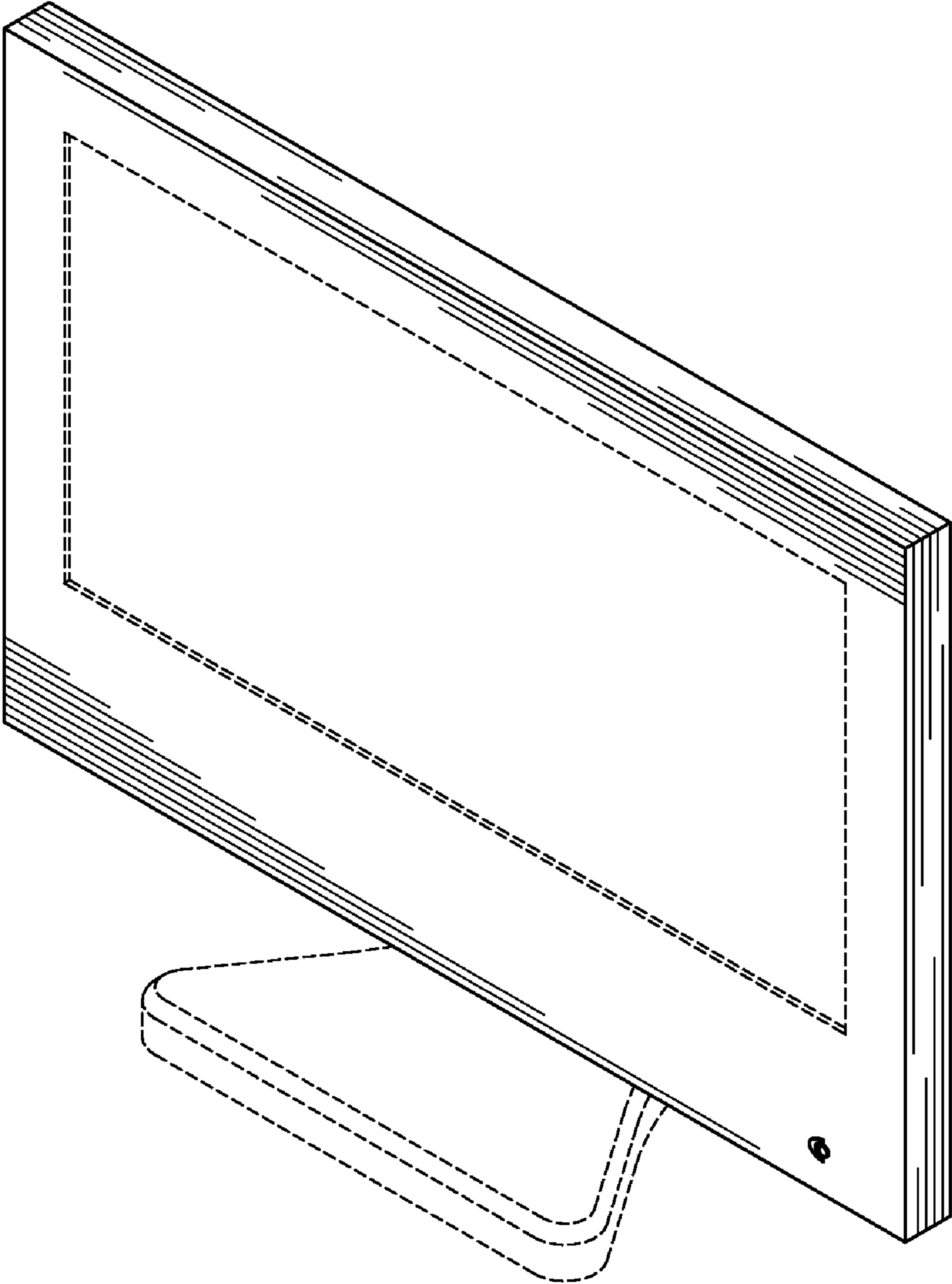


FIG. 1

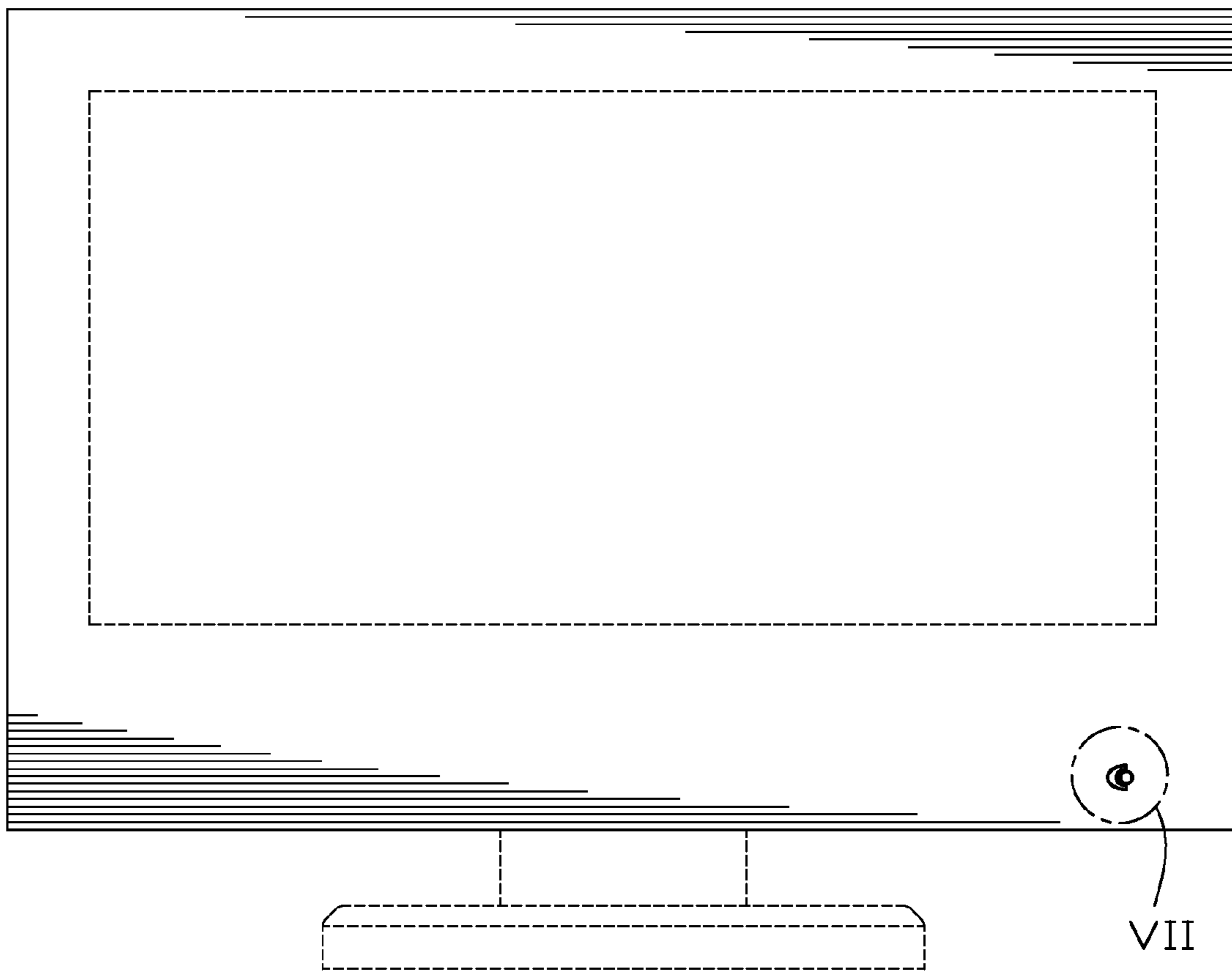


FIG. 2

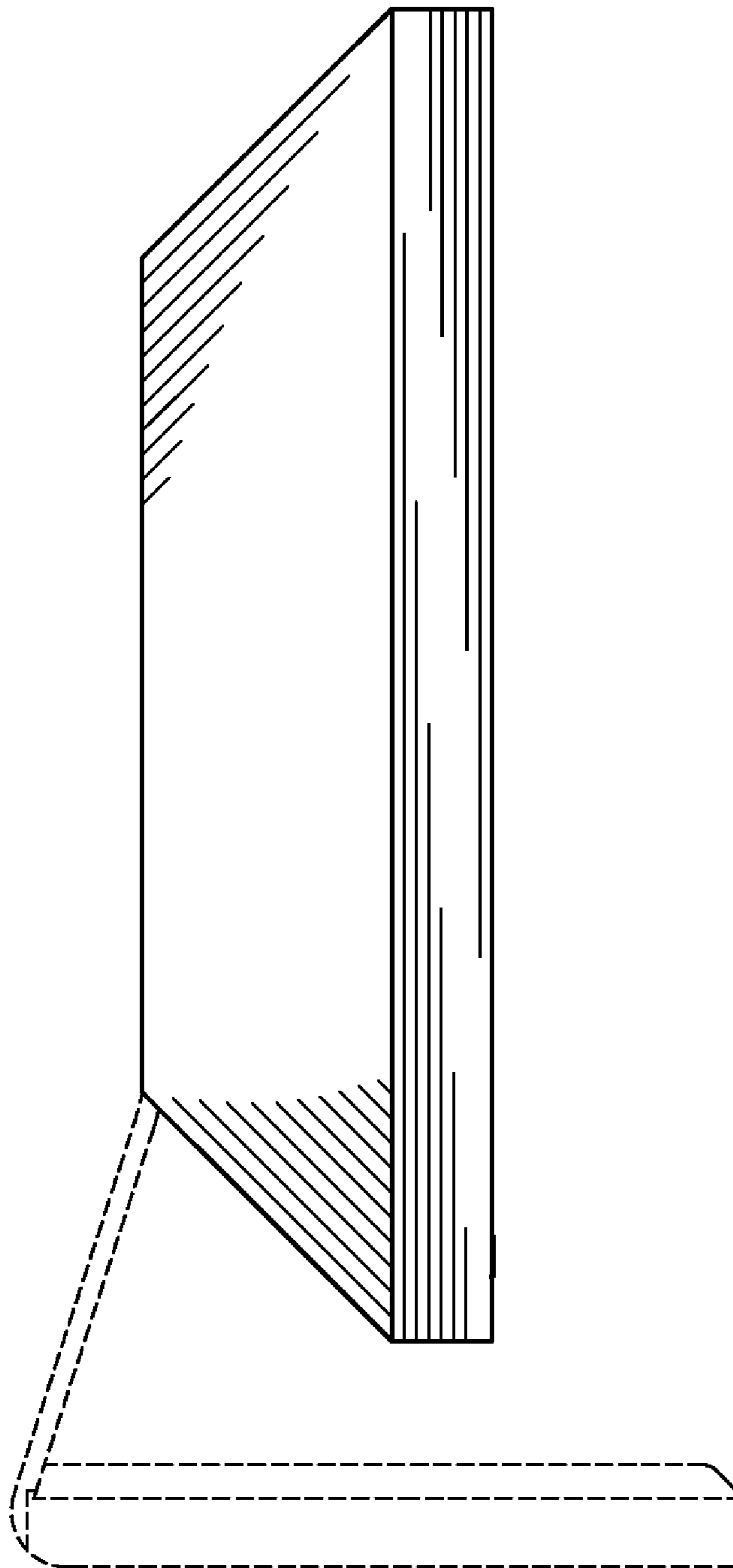


FIG. 3

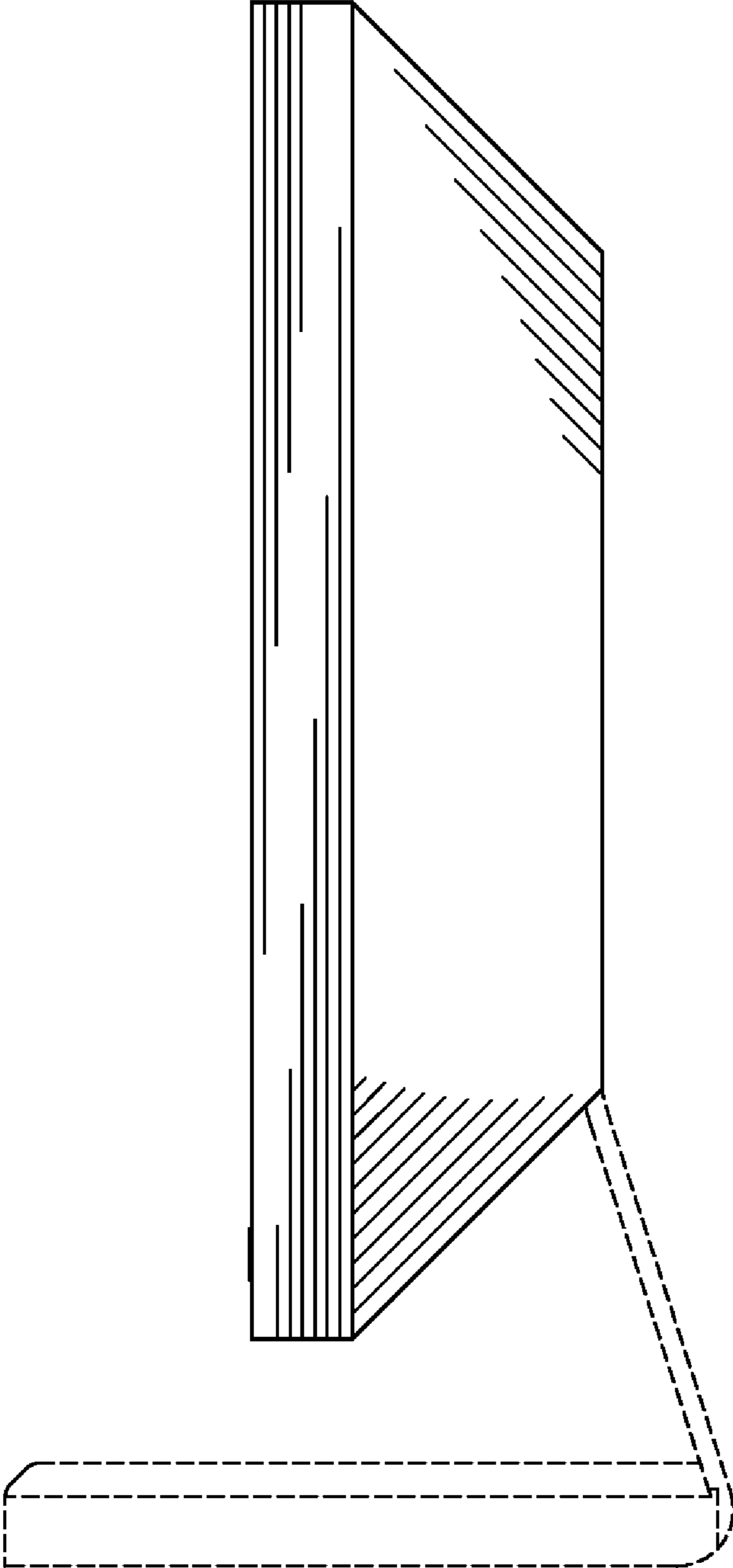


FIG. 4

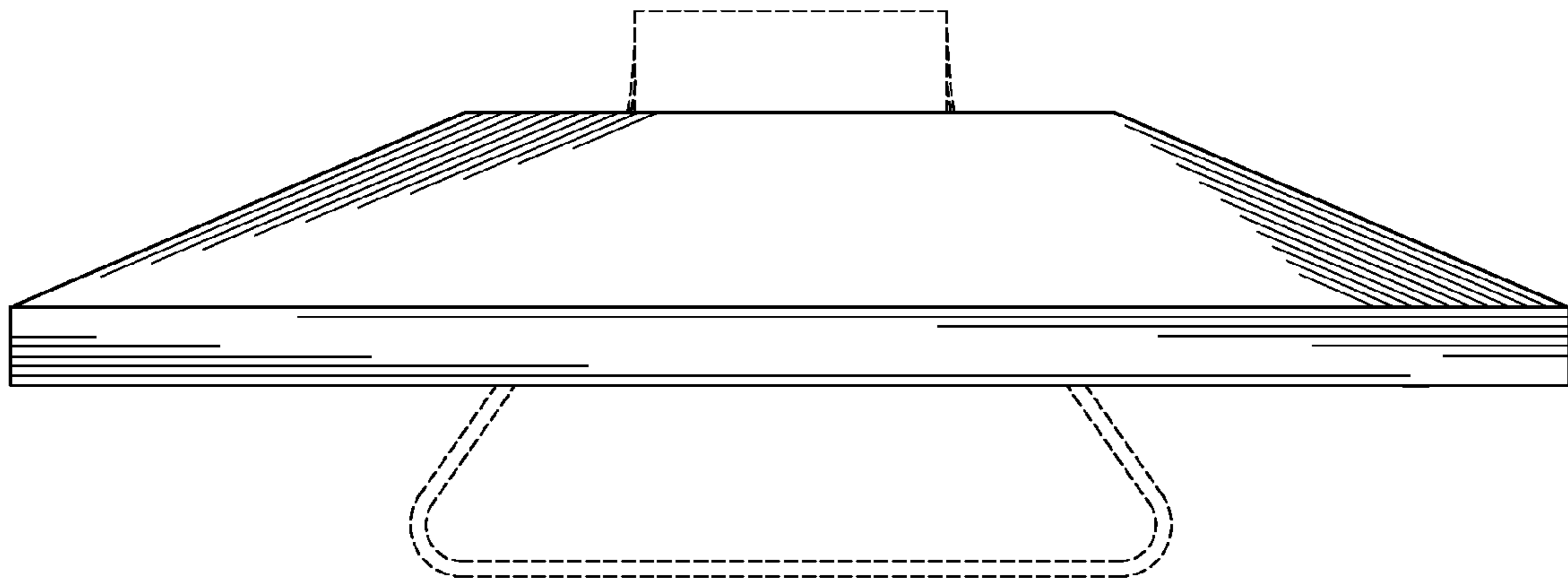


FIG. 5

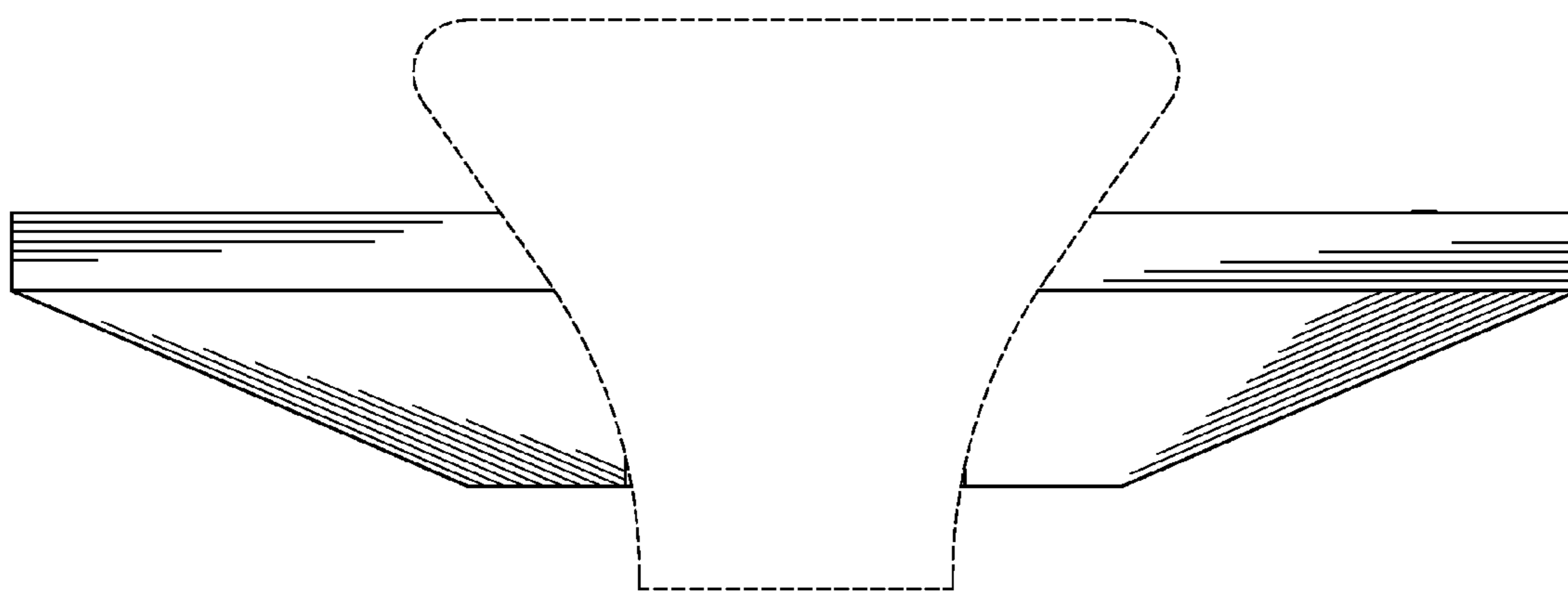


FIG. 6

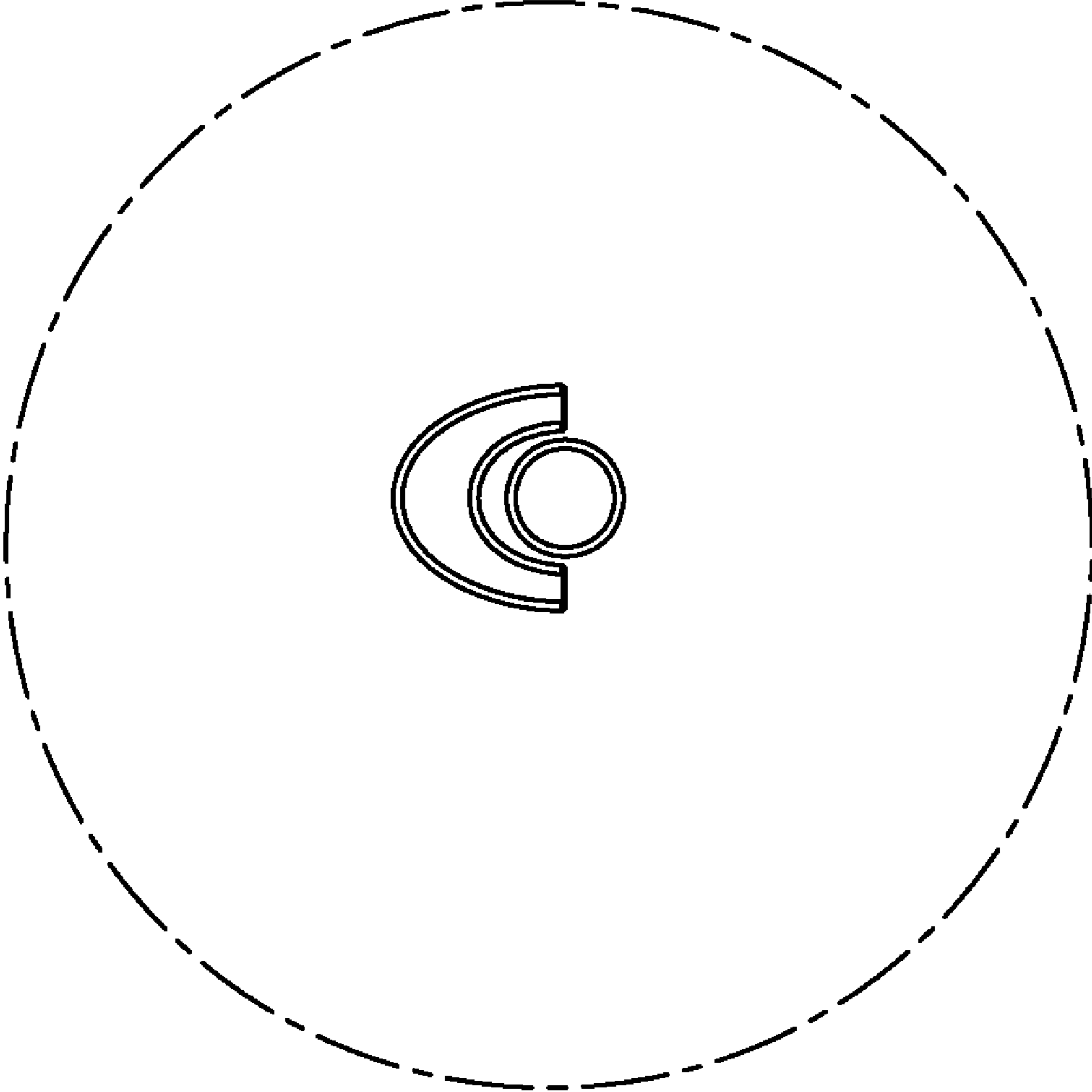


FIG. 7