



US00D611470S

(12) **United States Design Patent**
Andre et al.

(10) **Patent No.:** **US D611,470 S**

(45) **Date of Patent:** **** Mar. 9, 2010**

(54) **ELECTRONIC DEVICE**

(75) Inventors: **Bartley K. Andre**, Cupertino, CA (US);
Daniel J. Coster, Cupertino, CA (US);
Daniele De Iuliis, Cupertino, CA (US);
Evans Hankey, Cupertino, CA (US);
Richard P. Howarth, Cupertino, CA
(US); **Jonathan P. Ive**, Cupertino, CA
(US); **Steve Jobs**, Cupertino, CA (US);
Duncan Robert Kerr, Cupertino, CA
(US); **Shin Nishibori**, Cupertino, CA
(US); **Matthew Dean Rohrbach**,
Cupertino, CA (US); **Peter**
Russell-Clarke, Cupertino, CA (US);
Douglas B. Satzger, Menlo Park, CA
(US); **Christopher J. Stringer**,
Cupertino, CA (US); **Eugene Antony**
Whang, Cupertino, CA (US); **Rico**
Zorkendorfer, Cupertino, CA (US)

(73) Assignee: **Apple Inc.**, Cupertino, CA (US)

(**) Term: **14 Years**

(21) Appl. No.: **29/330,323**

(22) Filed: **Jan. 5, 2009**

Related U.S. Application Data

(63) Continuation of application No. 29/330,161, filed on
Dec. 30, 2008, now Pat. No. Des. 590,826.

(51) **LOC (9) Cl.** **14-02**

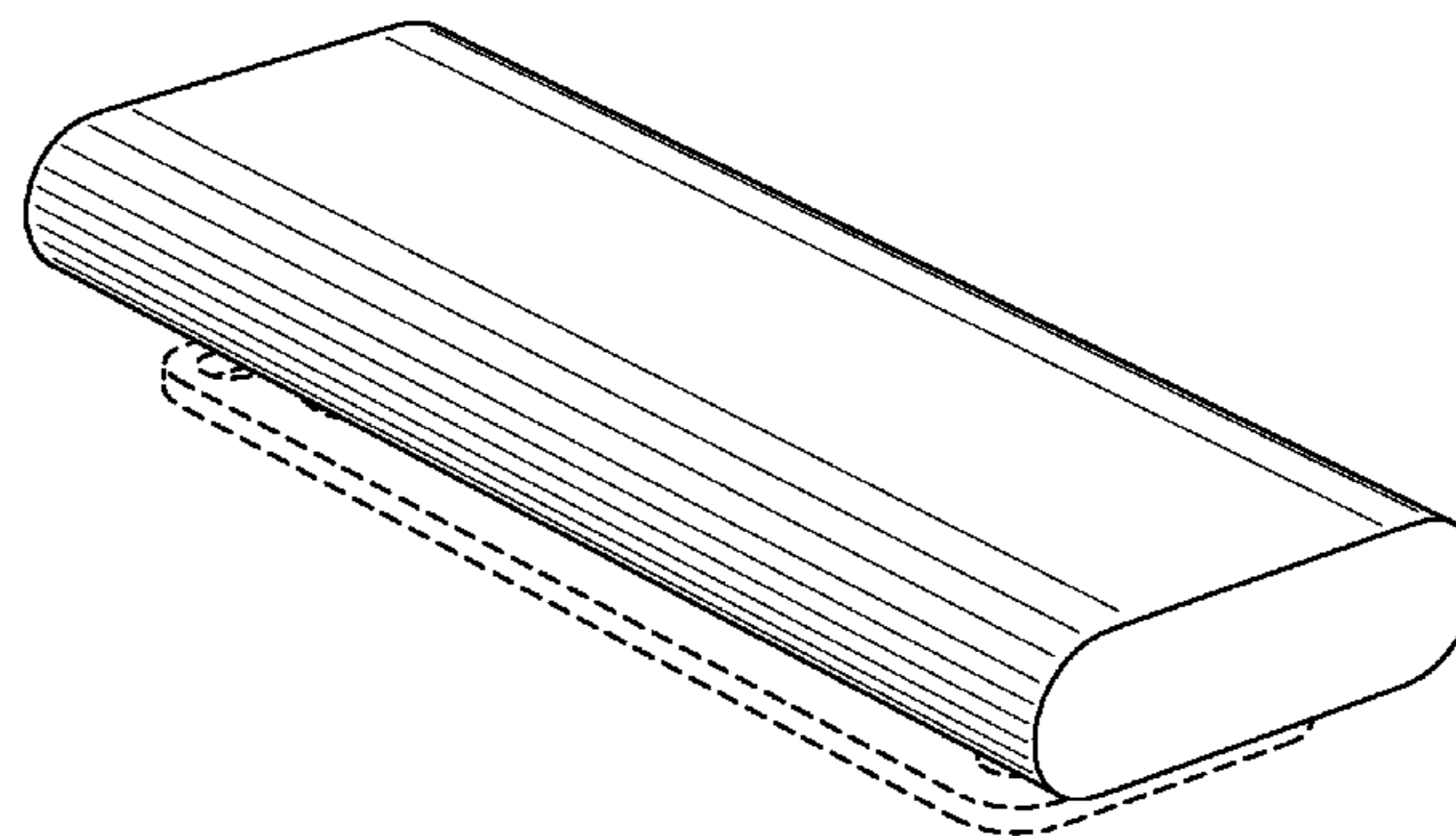
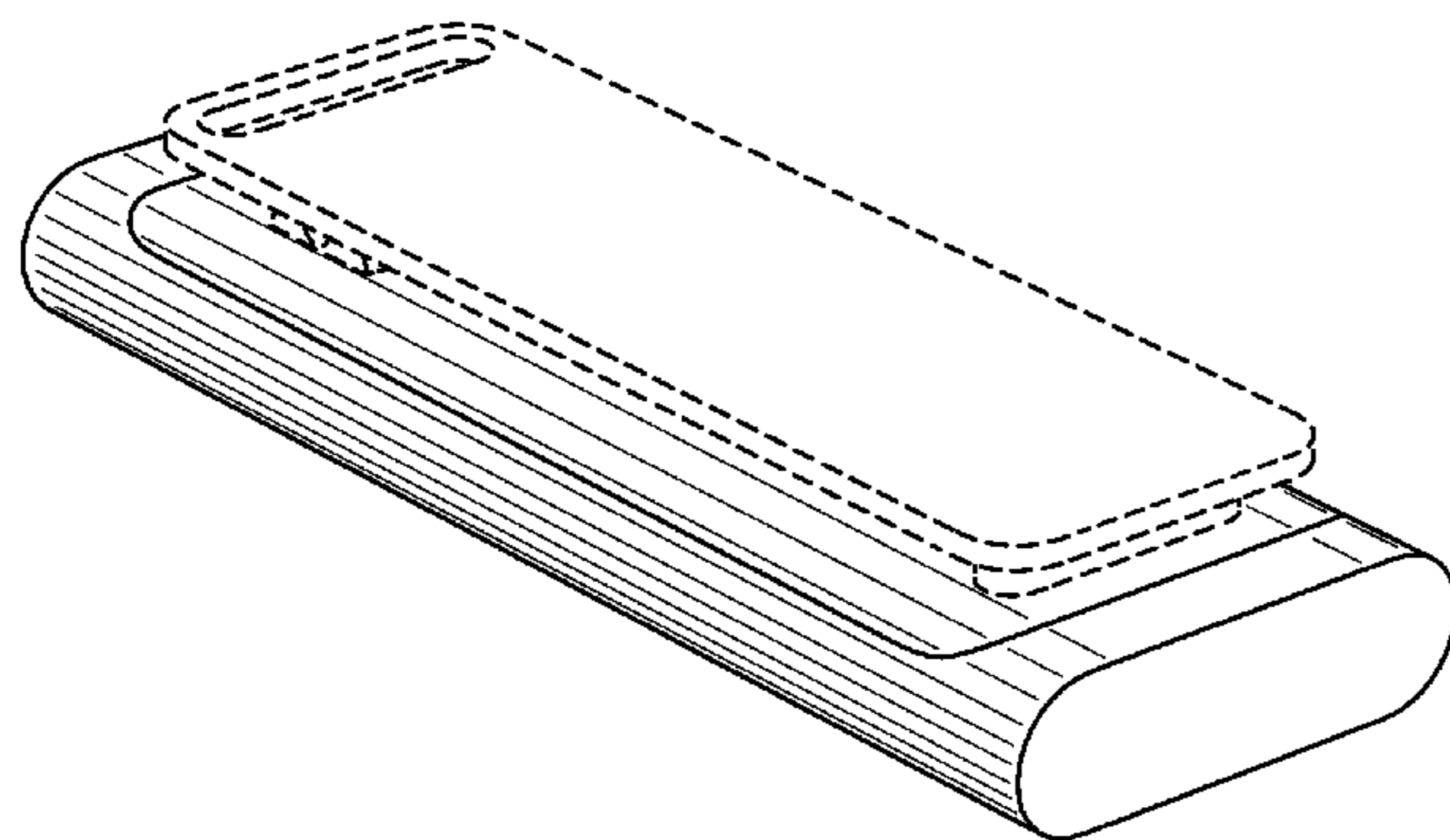
(52) **U.S. Cl.** **D14/341; D14/496**

(58) **Field of Classification Search** D14/341-347,
D14/137, 138, 138.1, 138 AA, 138 R, 138 AB,
D14/138 AC, 138 AD, 138 C, 138 G, 496,
D14/203.1, 203.3, 203.4, 203.5, 203.6, 203.7,
D14/426, 427, 428, 432, 429, 129, 130, 420,
D14/439-441, 448, 125, 147, 156, 218, 247-248,
D14/250, 389; D10/65, 104; D18/6-7; D21/29,
D21/686, 33, 324, 329, 330; D6/596, 601,
D6/605; D19/60; 455/556.1, 556.2, 566,
455/575.1, 575.3, 575.4, 90.3, 6.1; 379/433.04,
379/433.07, 433.11, 433.12, 433.13, 910,
379/916, 443.01, 433.06; 345/169, 901,
345/905; 348/169; 361/814; 341/122; 346/173
See application file for complete search history.

(56) **References Cited**

U.S. PATENT DOCUMENTS

2,521,423 A	9/1950	Stuck
3,851,123 A	11/1974	Lipinski et al.
4,359,220 A	11/1982	Morrison et al.
D303,137 S	8/1989	Brown
D306,519 S	3/1990	Nakata
D344,511 S	2/1994	Ansai et al.
D345,304 S	3/1994	Leader
D350,752 S	9/1994	Yuen
5,551,079 A	8/1996	Panther et al.
D379,809 S	6/1997	Lindeman
5,664,292 A	9/1997	Chen
D393,260 S	4/1998	Yahaya
D396,860 S	8/1998	Yasutomi
D421,261 S	2/2000	Heuel
D425,885 S	5/2000	Amron
6,122,526 A	9/2000	Parulski et al.
D432,523 S	10/2000	Grinkus et al.
D438,525 S	3/2001	Katayama



US D611,470 S

Page 2

D446,499 S 8/2001 Andre et al.
D475,850 S 6/2003 Andre et al.
D480,372 S 10/2003 Chen et al.
D500,309 S * 12/2004 Borsboom D14/218
D503,409 S 3/2005 Wong et al.
D529,512 S 10/2006 Reawsanguanwong
D530,342 S * 10/2006 Lee et al. D14/496
D531,190 S * 10/2006 Lee et al. D14/203.3
D531,619 S * 11/2006 Chau D14/217
D534,184 S 12/2006 Leija et al.
D534,545 S 1/2007 Leija et al.
D534,921 S 1/2007 Andre et al.
D539,814 S 4/2007 Andre et al.
D550,714 S 9/2007 Ferraboshi
D551,680 S 9/2007 Andre et al.
D555,171 S 11/2007 Dai
D556,155 S 11/2007 Andre et al.
D559,860 S 1/2008 Andre et al.
D560,687 S 1/2008 Kim et al.
D565,596 S 4/2008 Kim
D566,101 S 4/2008 Griffin et al.
D570,876 S 6/2008 Lee
D574,014 S * 7/2008 Dai D14/496
D575,304 S * 8/2008 Andre et al. D14/496
D577,990 S * 10/2008 Andre et al. D8/395
D578,140 S 10/2008 Sheba et al.
D579,952 S * 11/2008 Yamada D14/496
D580,456 S 11/2008 Oh et al.
D580,953 S * 11/2008 Andre et al. D14/496
D582,417 S 12/2008 Sheba et al.
D585,077 S * 1/2009 Sheba et al. D14/496
D586,740 S 2/2009 Song
D592,677 S * 5/2009 Sheba et al. D14/496
D597,090 S * 7/2009 Bemelmans D14/341

FOREIGN PATENT DOCUMENTS

CN 3513646D 3/2006
CN 3543434D 7/2006

EM 000898465-0001 * 3/2008

* cited by examiner

Primary Examiner—Cathron C Brooks
Assistant Examiner—Barbara Fox
(74) *Attorney, Agent, or Firm*—Sterne, Kessler, Goldstein & Fox P.L.L.C.

(57) **CLAIM**

The ornamental design for an electronic device, as shown and described.

DESCRIPTION

FIG. 1 is a bottom front perspective view of an electronic device showing our new design;

FIG. 2 is a bottom rear perspective view thereof;

FIG. 3 is top front perspective view thereof;

FIG. 4 is top rear perspective view thereof;

FIG. 5 is a front view thereof;

FIG. 6 is a rear view thereof;

FIG. 7 is a bottom view thereof;

FIG. 8 is top view thereof;

FIG. 9 is a right side view thereof; and,

FIG. 10 is a left side view thereof.

The shade lines in the Figures show contour and not surface ornamentation.

The dashed lines in the Figures show unclaimed portions of the electronic device that form no part of the claimed design.

1 Claim, 4 Drawing Sheets

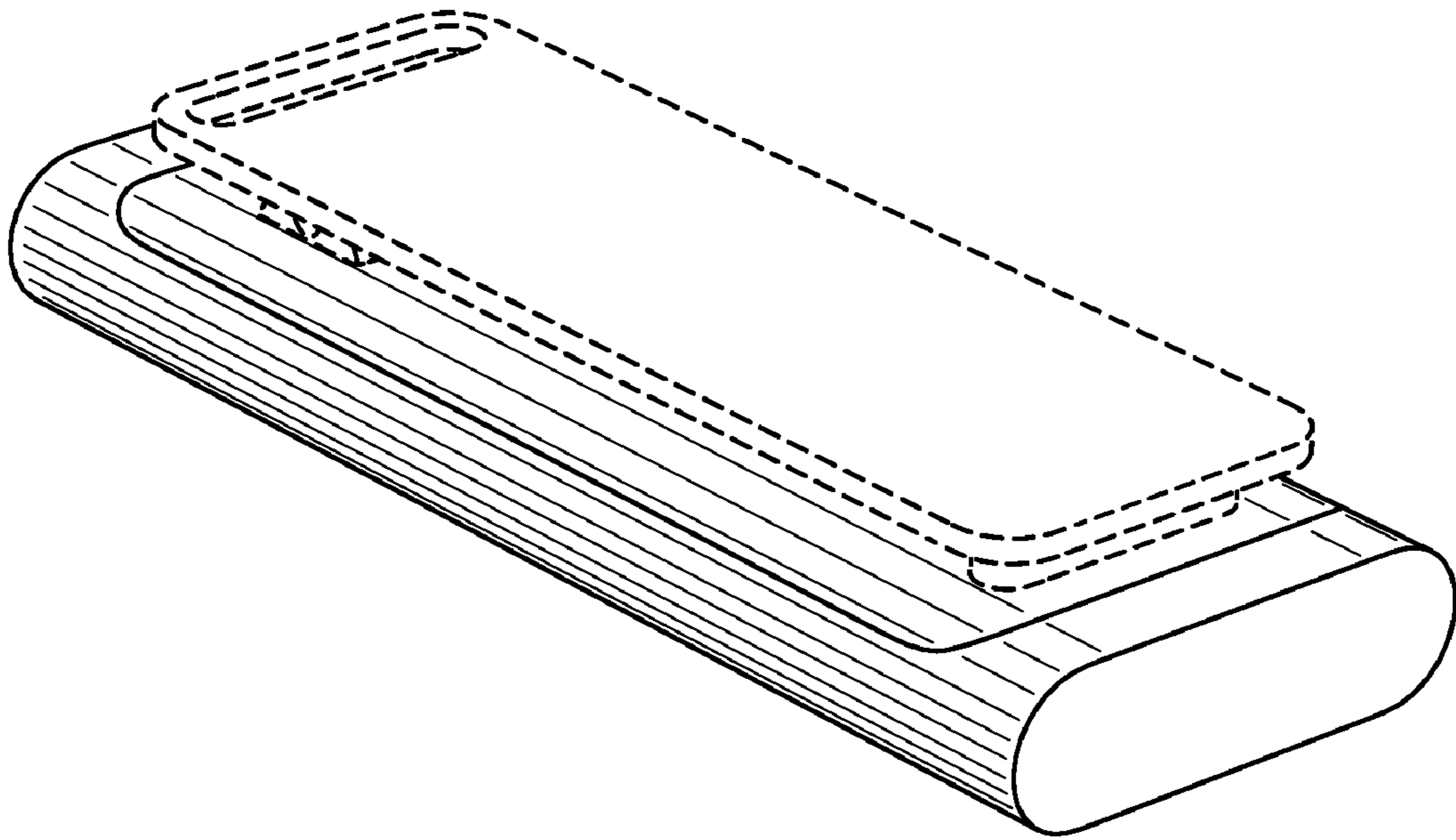


FIG. 1

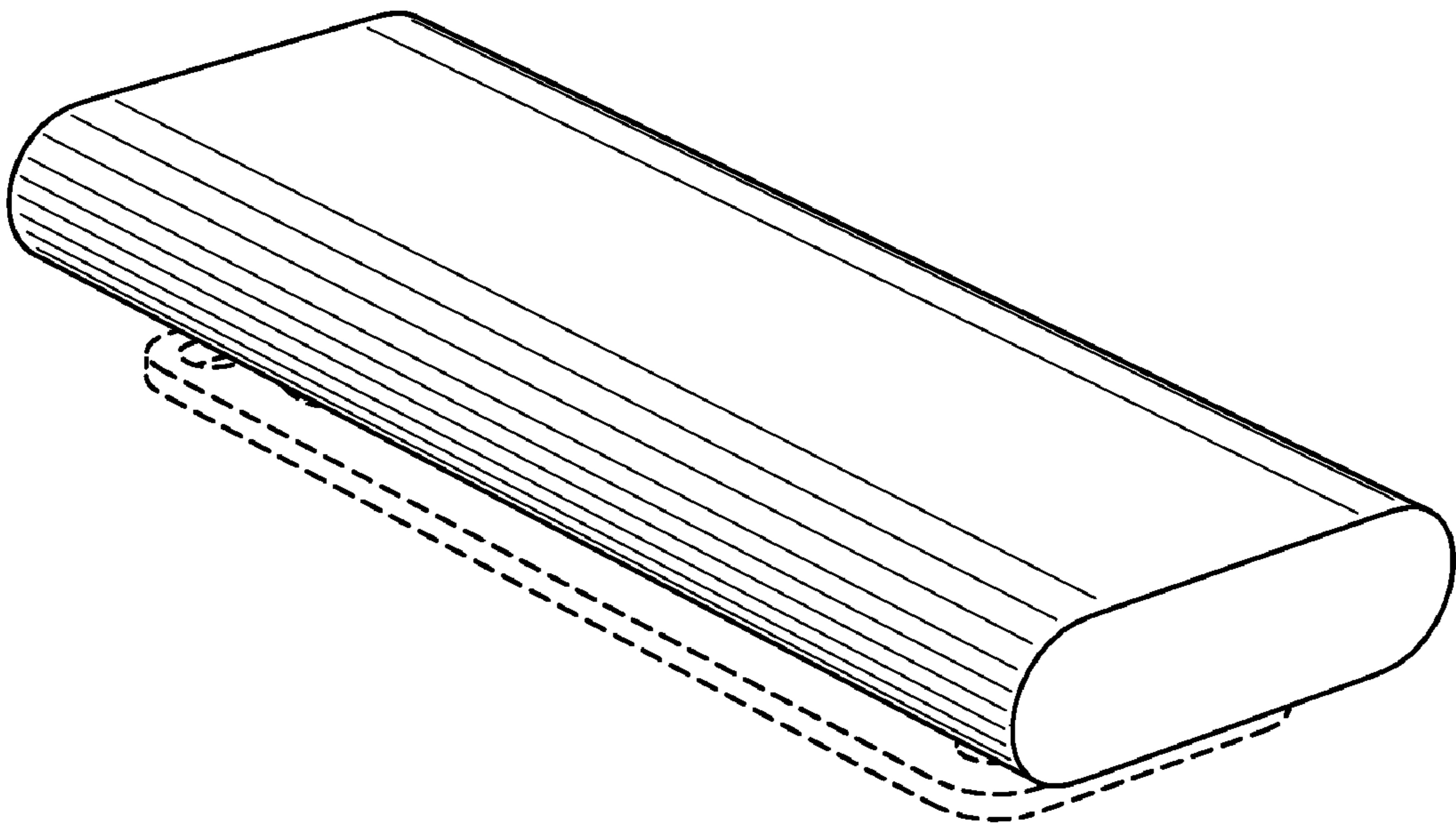


FIG. 2

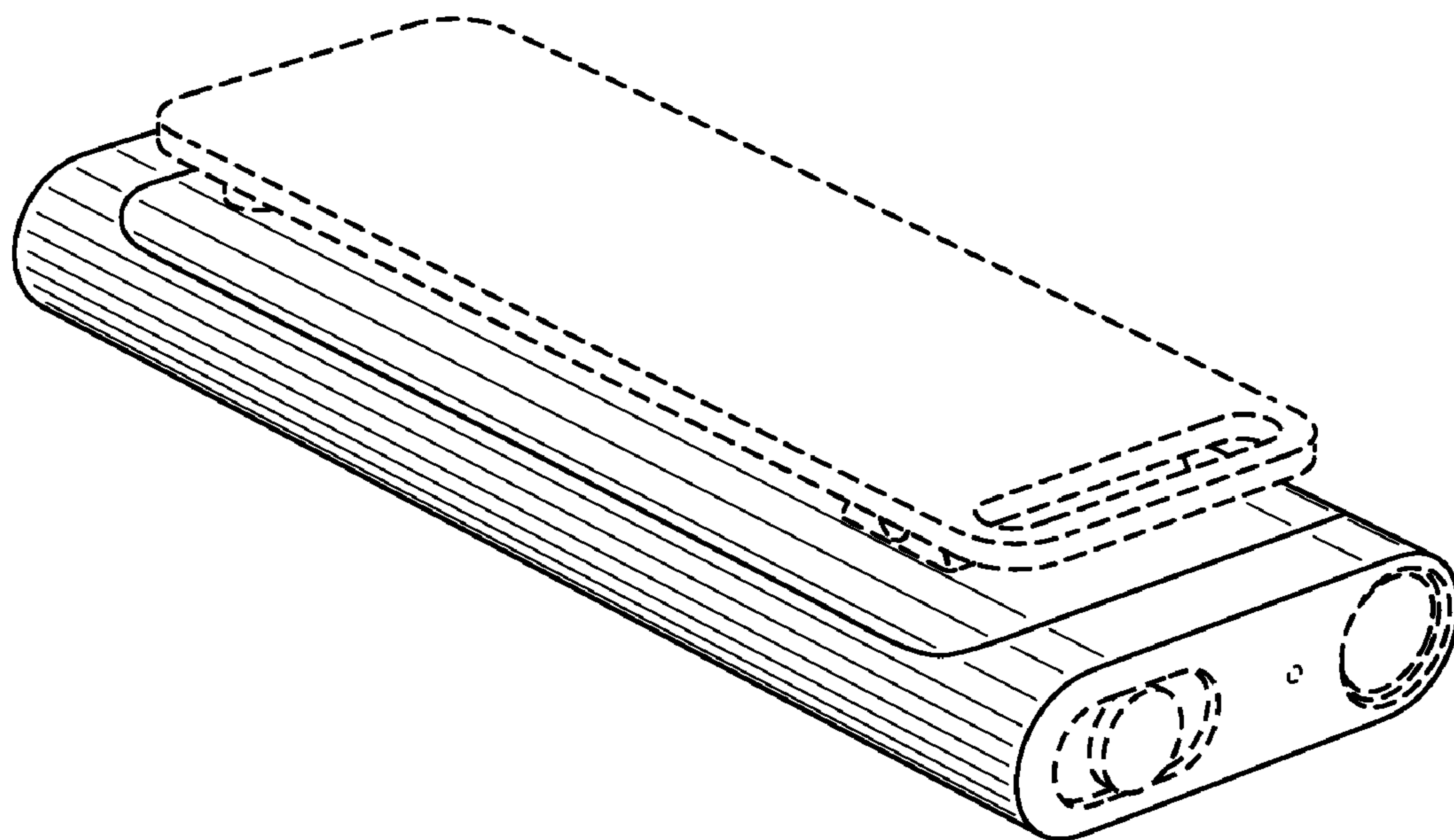


FIG. 3

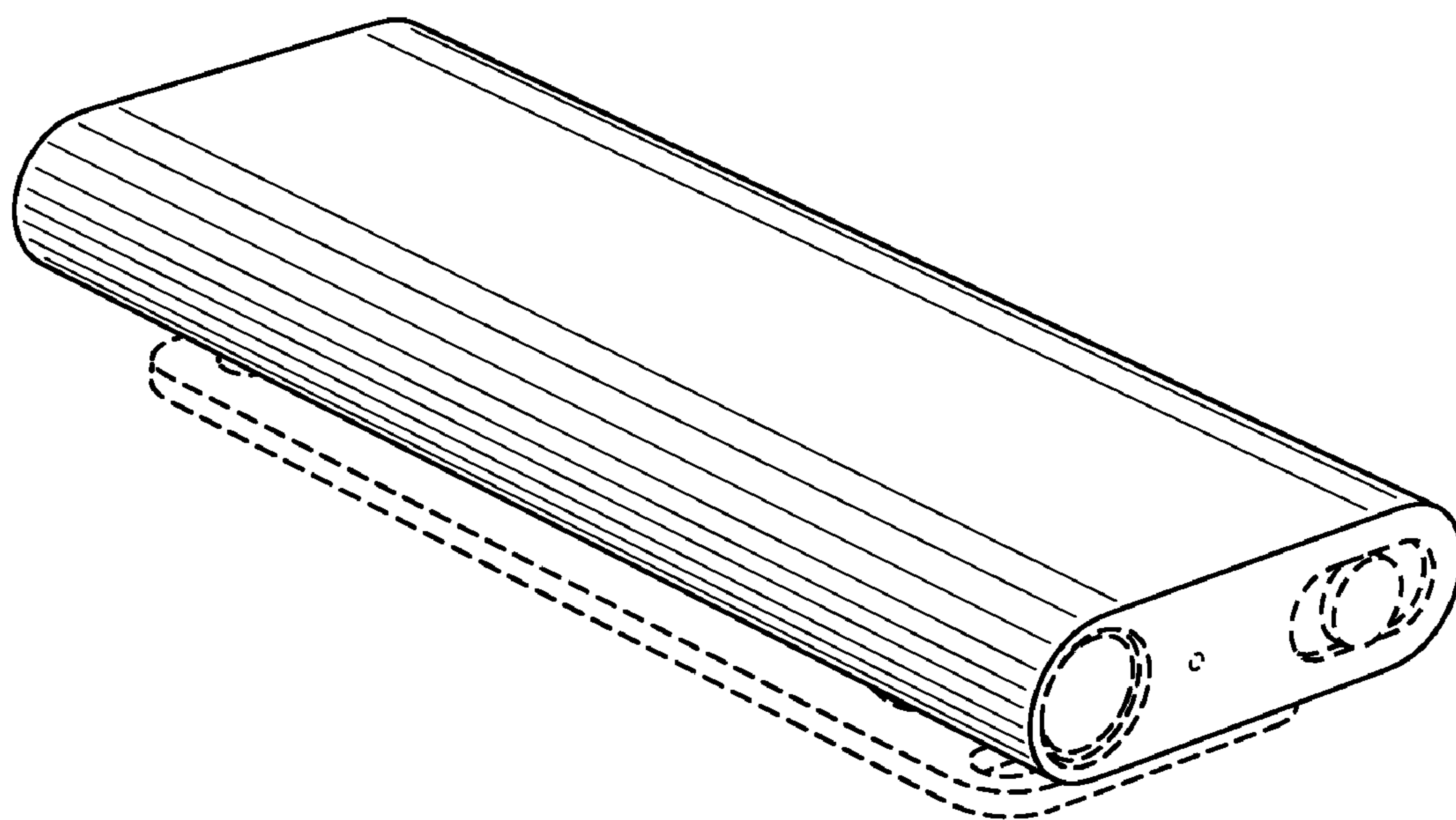


FIG. 4

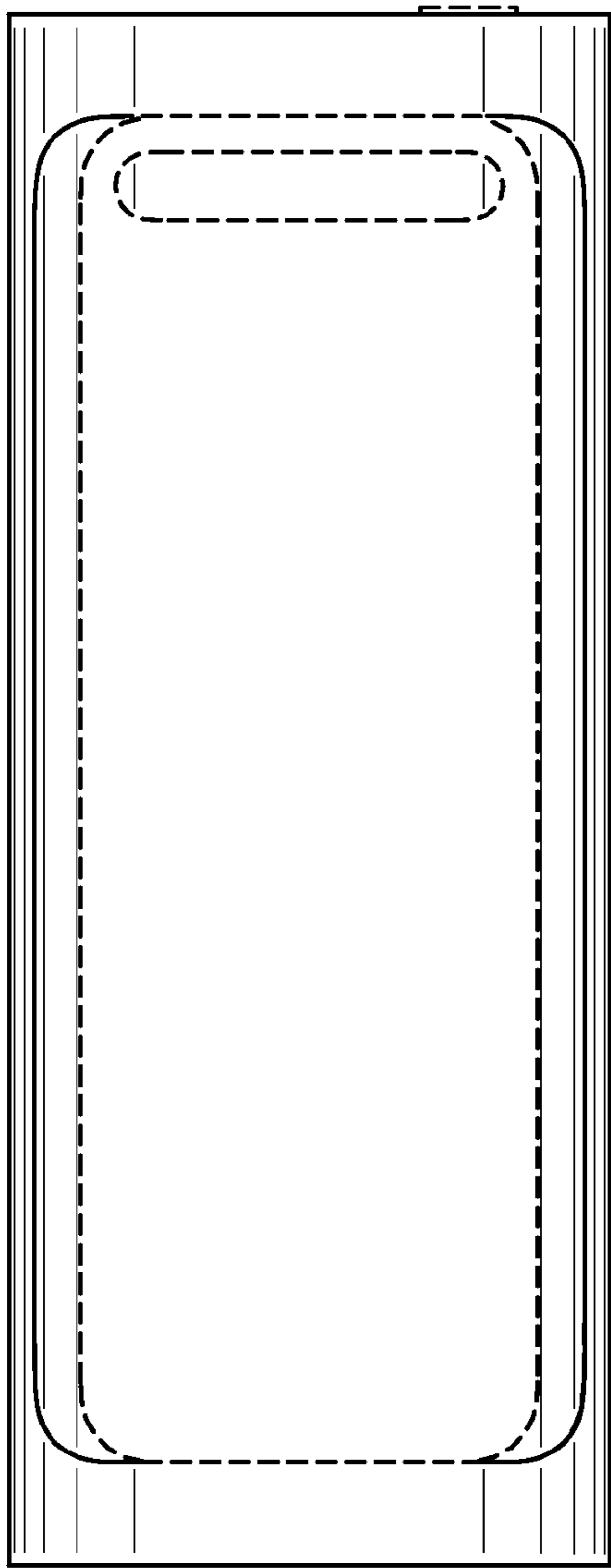


FIG. 5

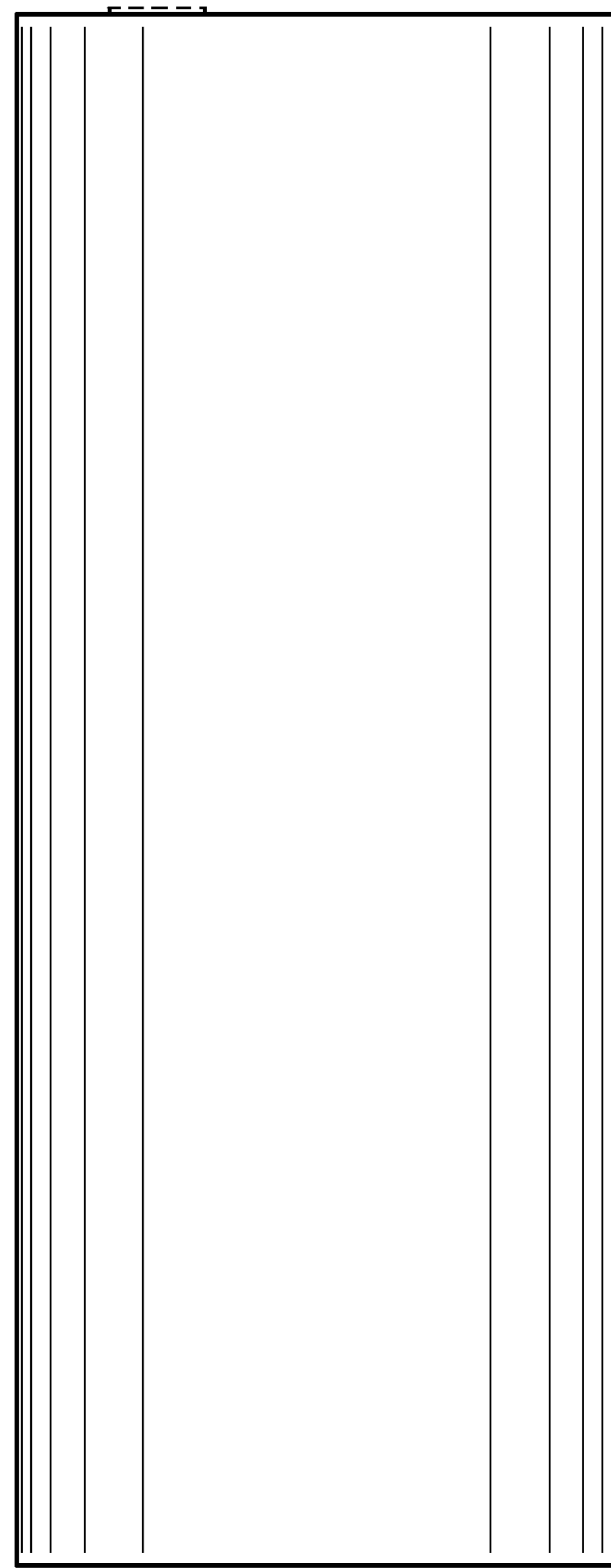


FIG. 6

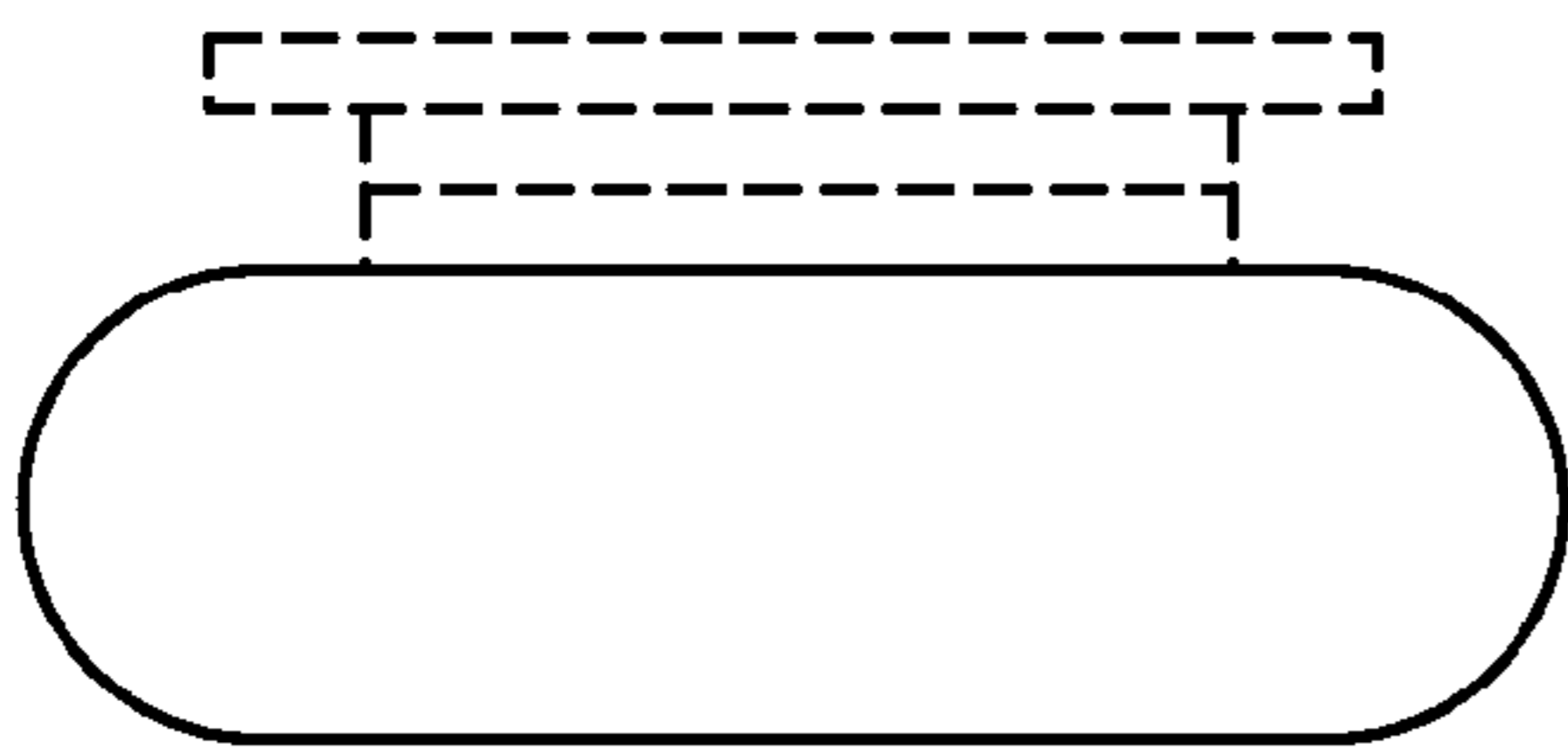


FIG. 7

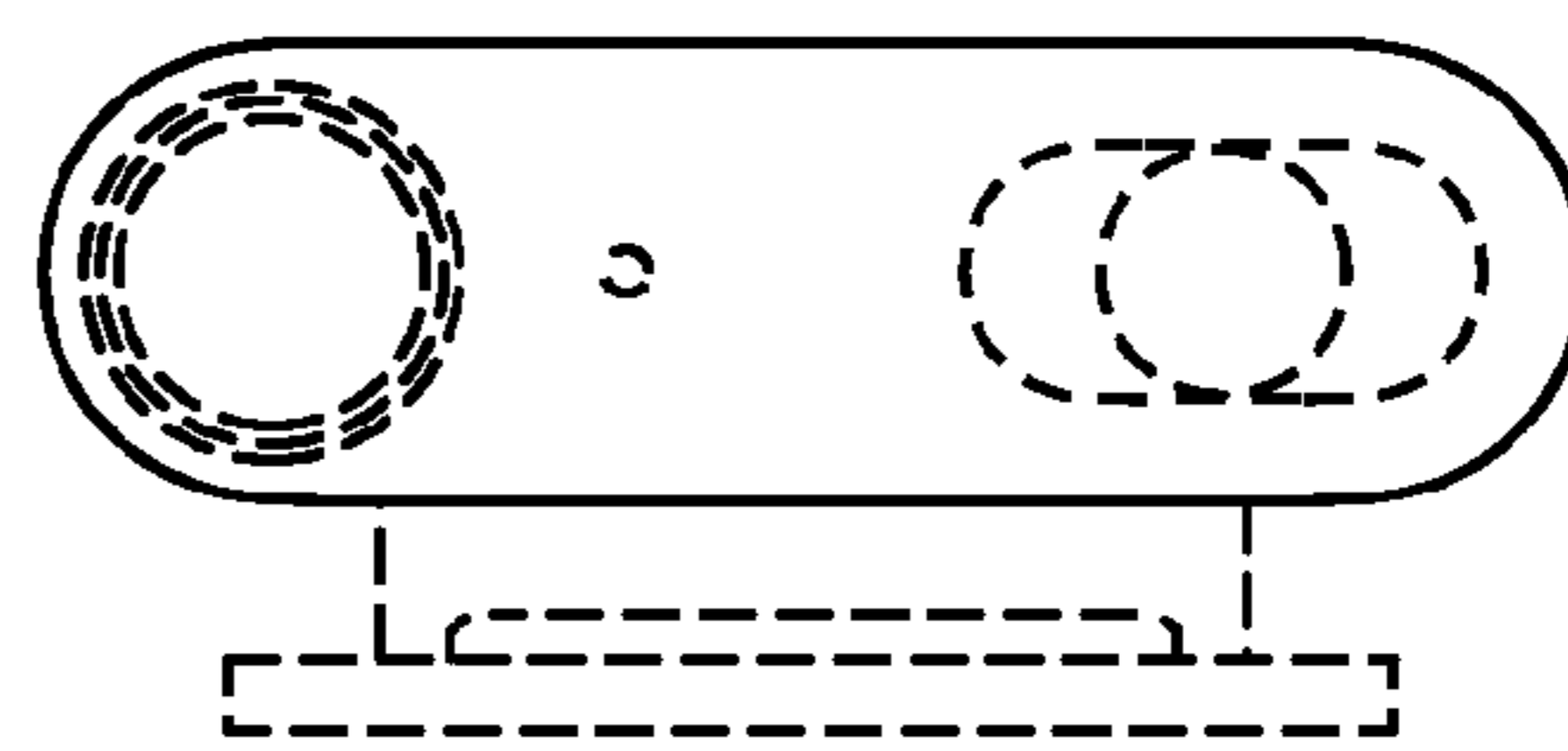


FIG. 8

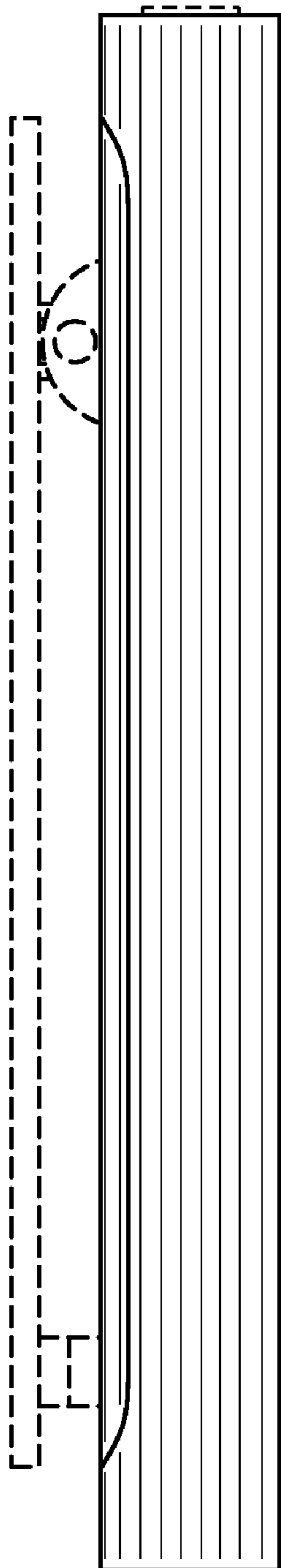


FIG. 9

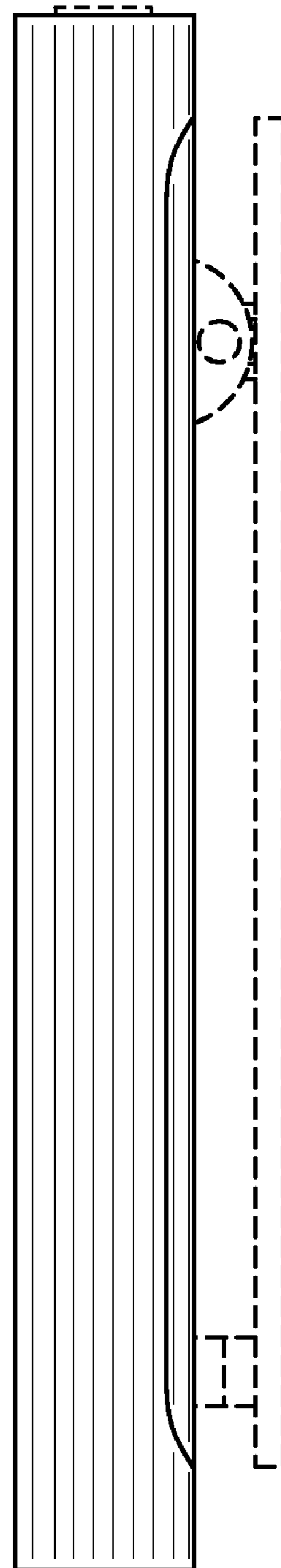


FIG. 10