



US00D611465S

(12) **United States Design Patent**
Corley et al.

(10) **Patent No.:** **US D611,465 S**
(45) **Date of Patent:** **** Mar. 9, 2010**

(54) **HAND-HELD ELECTRONIC DEVICE**

- (75) Inventors: **Cortez Corley**, Waterloo (CA); **Todd Wood**, Guelph (CA)
- (73) Assignee: **Research In Motion Limited**, Waterloo (CA)
- (**) Term: **14 Years**
- (21) Appl. No.: **29/295,190**
- (22) Filed: **Sep. 21, 2007**

- (51) **LOC (9) Cl.** **14-03**
- (52) **U.S. Cl.** **D14/248; D16/208**
- (58) **Field of Classification Search** D14/137, D14/138 AA, 138 AB, 138 AC, 138 AD, D14/138 C, 138 G, 138 R, 147-148, 156, D14/218, 247-248, 341-347, 390, 399, 455-456, D14/496, 172, 188, 191, 192, 194, 207, 209.1, D14/214, 225; D13/164, 168, 108; D16/208, D16/217, 218, 219; D21/329, 331, 333, D21/517; 343/702; 345/167, 168, 169; 348/14.01-14.02; 361/814; 379/433.01-433.13; 439/165; 455/90.3, 556.1-556.2, 566, 575.1, 575.3, 455/575.4

See application file for complete search history.

(56) **References Cited**

U.S. PATENT DOCUMENTS

- D411,219 S * 6/1999 Sumita D16/219
- D466,096 S * 11/2002 Takada D14/138 AD
- D476,023 S * 6/2003 Sumita D16/202

(Continued)

OTHER PUBLICATIONS

BlackBerry Pearl Flip 8220, announced Sep. 2008, <URL:http://www.gsmarena.com/blackberry_pearl_flip_8220-pictures-2521.php>, retrieved from internet Oct. 29, 2009.*

(Continued)

Primary Examiner—Robert M. Spear
Assistant Examiner—Carla Jobe Wright
(74) *Attorney, Agent, or Firm*—Novak Druce + Quigg LLP

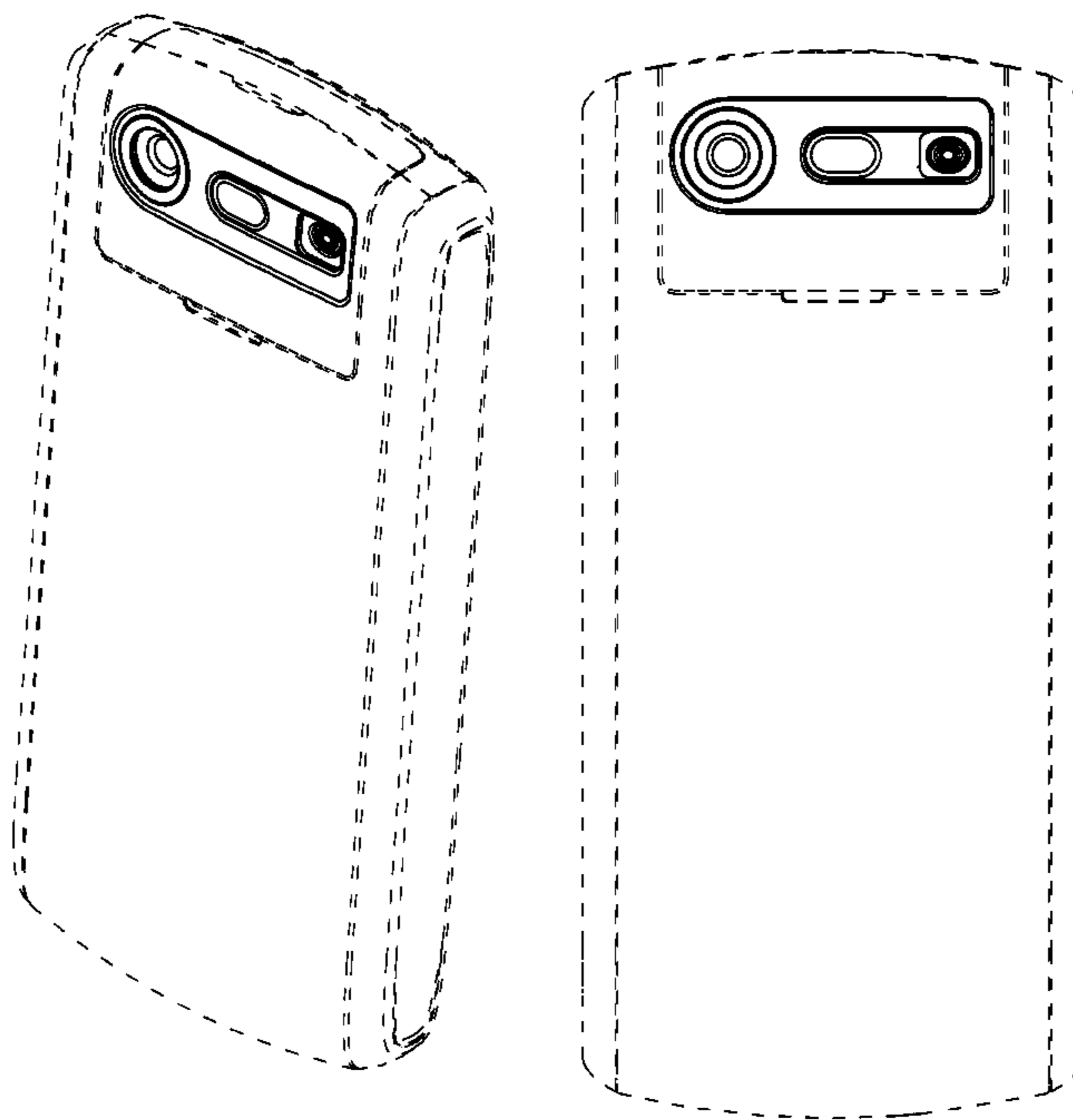
(57) **CLAIM**

We claim the ornamental design for a hand-held electronic device, as shown and described.

DESCRIPTION

- FIG. 1 is a front perspective view of a hand-held electronic device;
 - FIG. 2 is a back perspective view thereof showing the camera module;
 - FIG. 3 is a left elevational view thereof;
 - FIG. 4 is a right elevational view thereof;
 - FIG. 5 is a top plan view thereof;
 - FIG. 6 is a front elevational view thereof;
 - FIG. 7 is a back elevational view thereof;
 - FIG. 8 is a bottom plan view thereof;
 - FIG. 9 is a back perspective view of the hand-held electronic device showing the camera module in an alternate orientation; and,
 - FIG. 10 is a back elevational view thereof.
- The broken line showing of the remainder of the hand-held electronic device depicts unclaimed environment.

1 Claim, 7 Drawing Sheets



US D611,465 S

Page 2

U.S. PATENT DOCUMENTS

D484,902 S * 1/2004 Baba D16/202
D495,695 S 9/2004 Yugaya
D502,162 S * 2/2005 Kim et al. D14/138 AD
D524,275 S * 7/2006 Shin D14/138 AA
D526,636 S * 8/2006 Kim et al. D14/138 AA
D538,277 S * 3/2007 Eguchi D14/248
D546,315 S * 7/2007 Kim et al. D14/138 AA
D546,808 S * 7/2007 Kim et al. D14/138 AA
D546,810 S * 7/2007 Kwak D14/138 AA
D549,680 S * 8/2007 Lee et al. D14/138 AB
D550,186 S 9/2007 Rak
D550,665 S 9/2007 Griffin
D551,227 S 9/2007 Griffin
D556,749 S 12/2007 Rak
D557,246 S * 12/2007 Kim et al. D14/138 AA
D558,178 S * 12/2007 Kim et al. D14/138 AA
D559,827 S * 1/2008 Shin et al. D14/138 AA
D560,193 S * 1/2008 Sung et al. D14/138 AD
D576,593 S 9/2008 Chang
D581,924 S 12/2008 Griffin
D582,380 S * 12/2008 Kim et al. D14/138 AA
D583,344 S * 12/2008 Sohn et al. D14/138 AD
D586,344 S 2/2009 Rak
D586,804 S 2/2009 Rak
D587,263 S 2/2009 Rak
D587,264 S 2/2009 Griffin
D587,705 S 3/2009 Rak
D589,043 S 3/2009 Rak
D589,926 S 4/2009 Turner
D591,743 S * 5/2009 Corley et al. D14/346
D593,555 S 6/2009 Corley

D595,724 S 7/2009 Corley
D596,603 S * 7/2009 Tkachuk D14/138 AA
D600,665 S * 9/2009 Lee et al. D14/138 AA
D601,987 S * 10/2009 Park et al. D14/138 AA
2006/0084468 A1 * 4/2006 Kim 455/550.1
2007/0188462 A1 8/2007 Lee
2007/0234208 A1 10/2007 Scott
2007/0259698 A1 11/2007 Chen
2007/0281733 A1 12/2007 Griffin
2008/0058006 A1 3/2008 Ladouceur
2008/0261569 A1 * 10/2008 Jang et al. 455/566

OTHER PUBLICATIONS

Samsung C6620, announced Oct. 2008, <URL:http://www.gsmarena.com/samsung_c6620-pictures-2575.php>, retrieved from internet Oct. 29, 2009.*

BenQ Z2, announced 1Q 2005, <URL:http://www.gsmarena.com/benq_z2-pictures-1001.php>, retrieved from internet Oct. 29, 2009.*

BlackBerry Pearl 8100, announced Sep. 2006, [online], [retrieved on Jun. 18, 2008]; Retrieved from Internet, <URL: http://www.gsmarena.com/blackberry_pearl_8100-1701.php>.

BlackBerry Pearl 8120, announced Oct. 2007, [online], [retrieved on Jun. 18, 2008]; Retrieved from Internet, <URL:http://www.gsmarena.com/blackberry_pearl_8120-2136.php>.

BlackBerry Pearl 8130, [online], [retrieved on Oct. 30, 2008]; Retrieved from Internet, <URL:<http://crackberry.com/blackberry-pearl-8130-coming-spring...>>.

Blackberry 8120 shots and details, [online], [retrieved on Nov. 11, 2008]; Retrieved from Internet, <URL:<http://www.blackberrycool.com/2007/08/blackberry-8120-shots-an...>>.

* cited by examiner

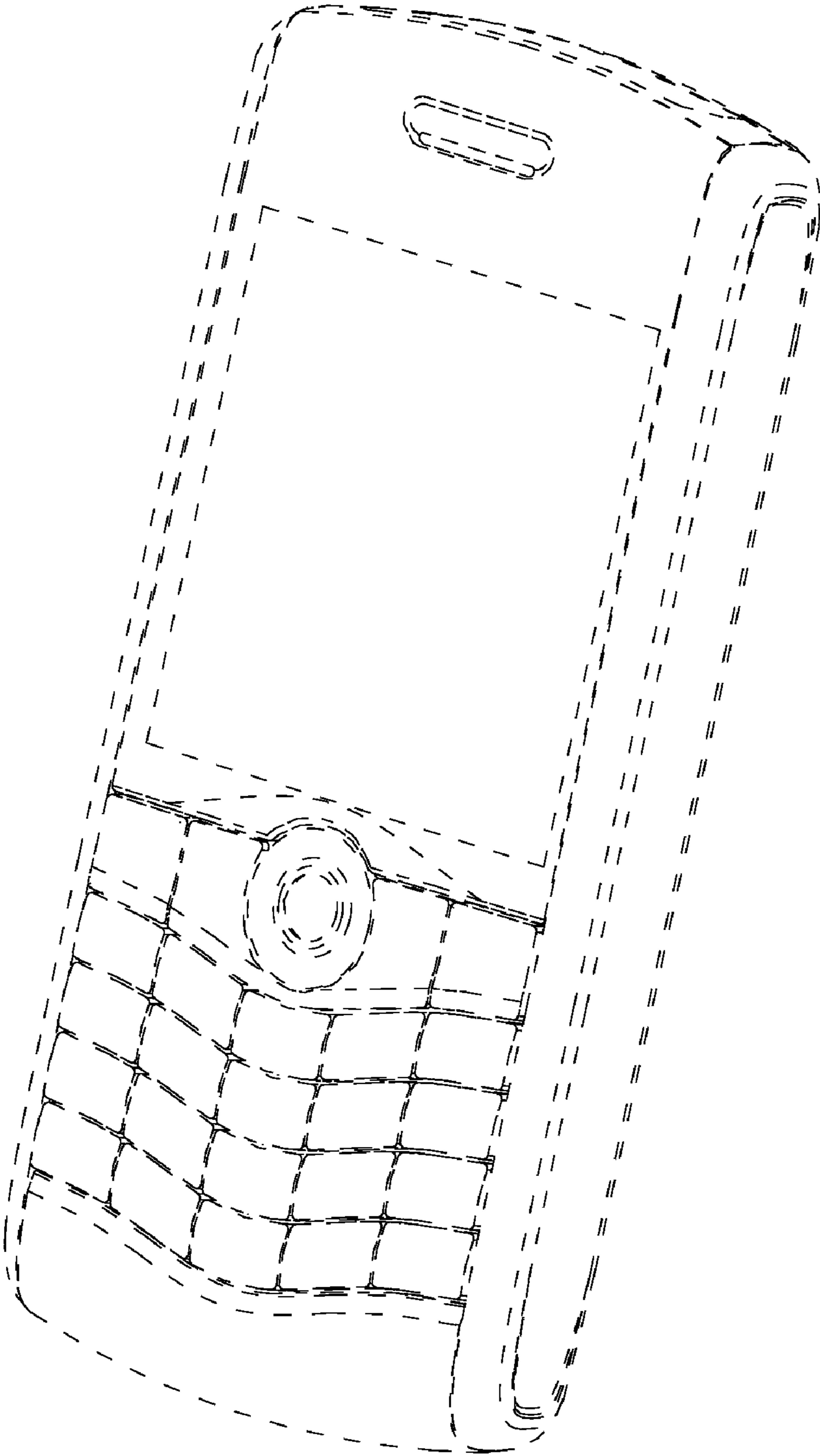


FIG. 1

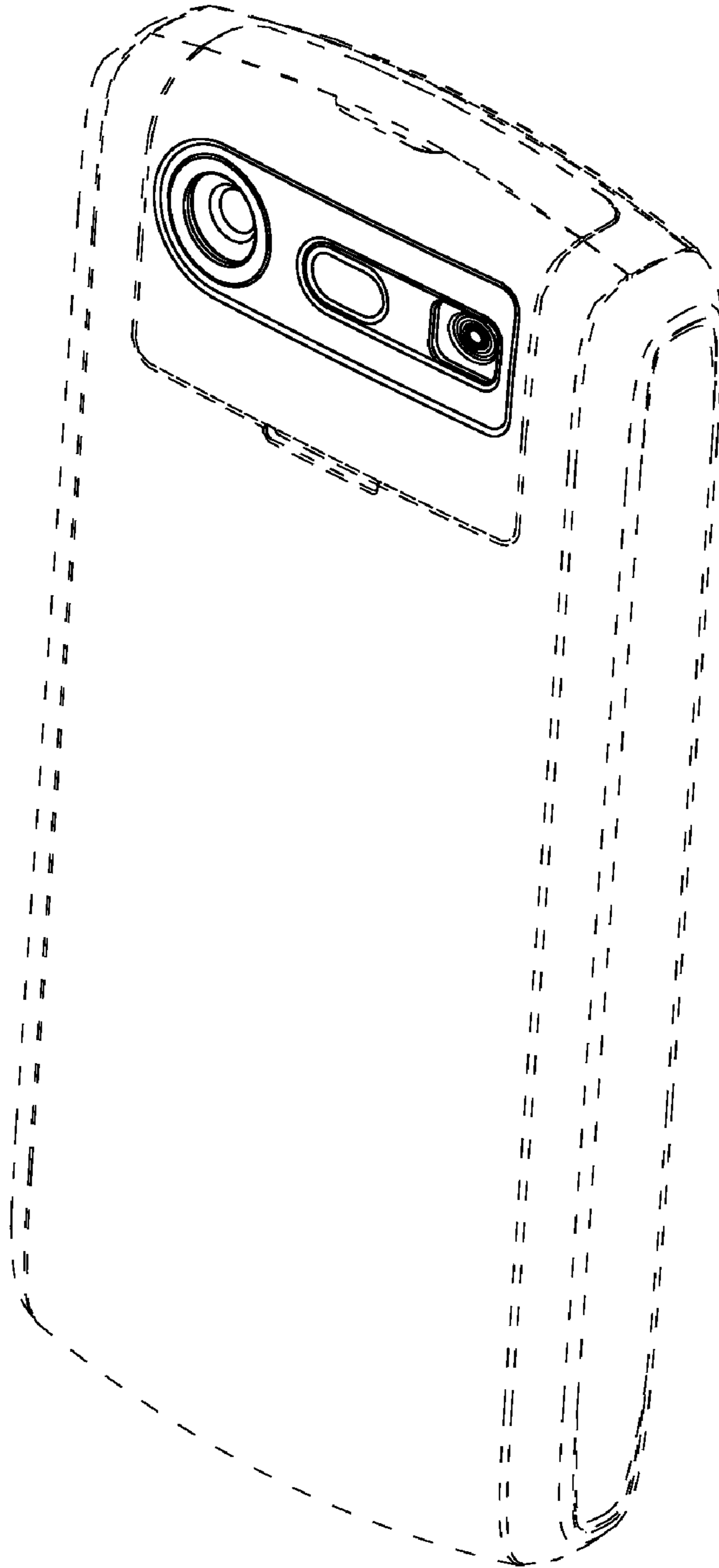


FIG.2

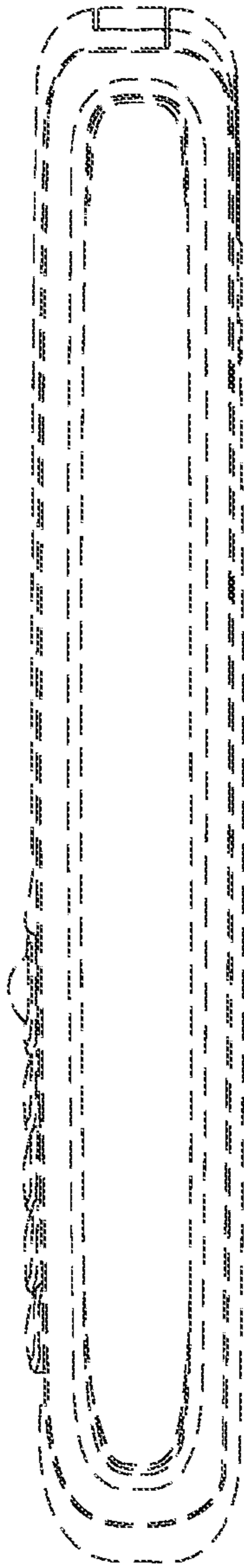


FIG. 3

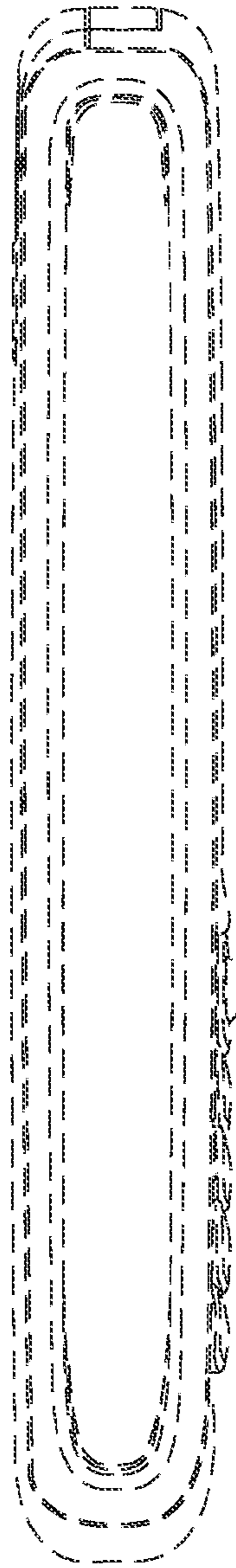


FIG. 4

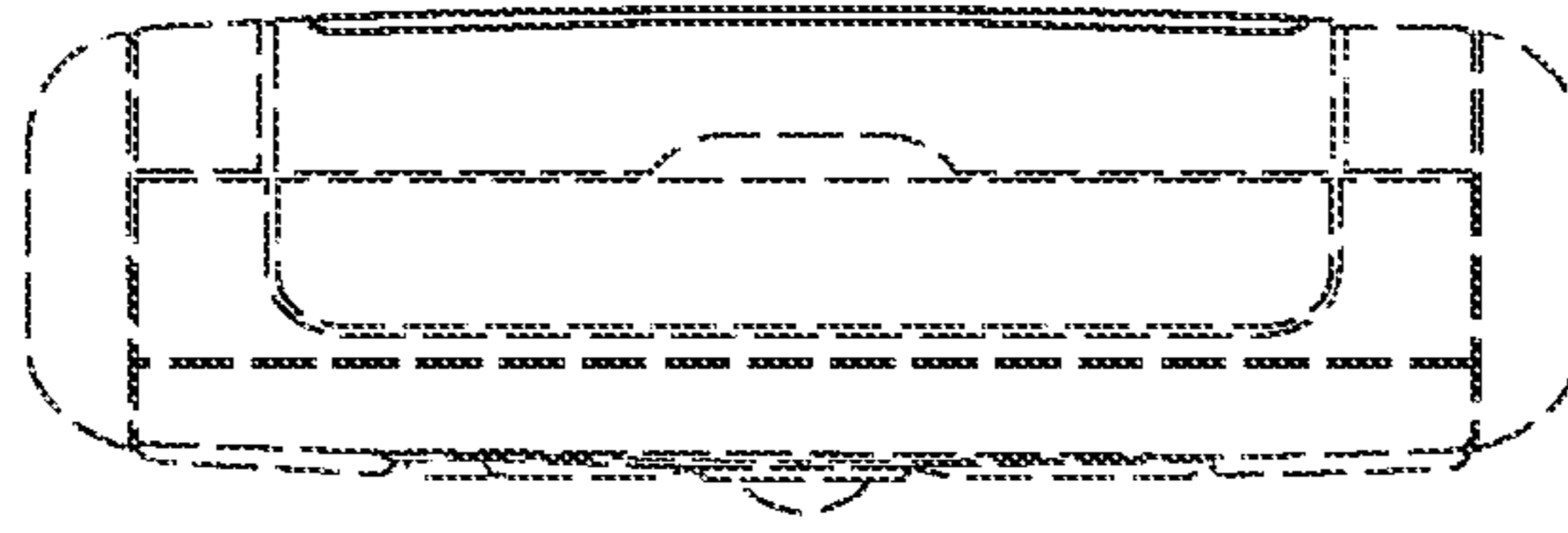


FIG. 5

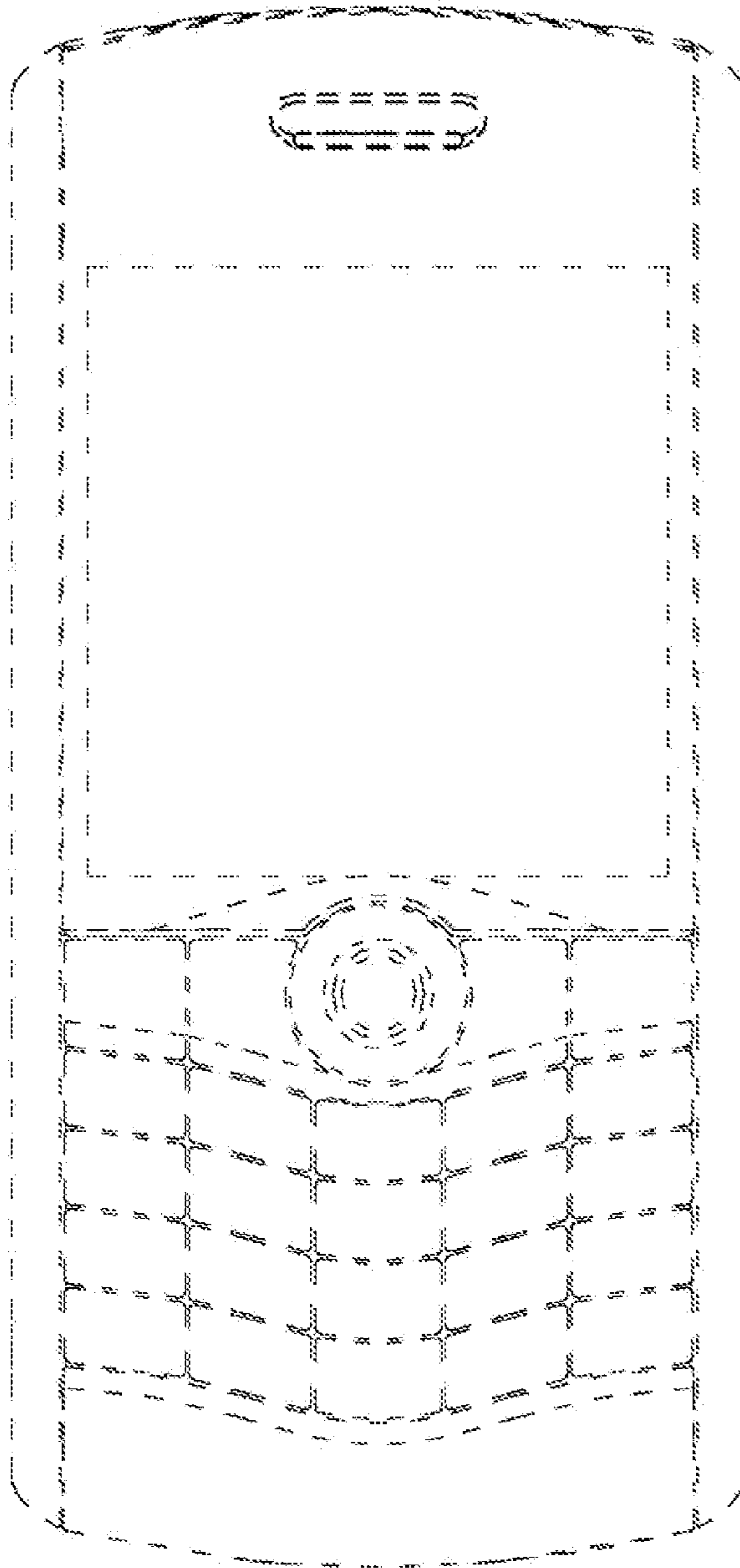


FIG. 6

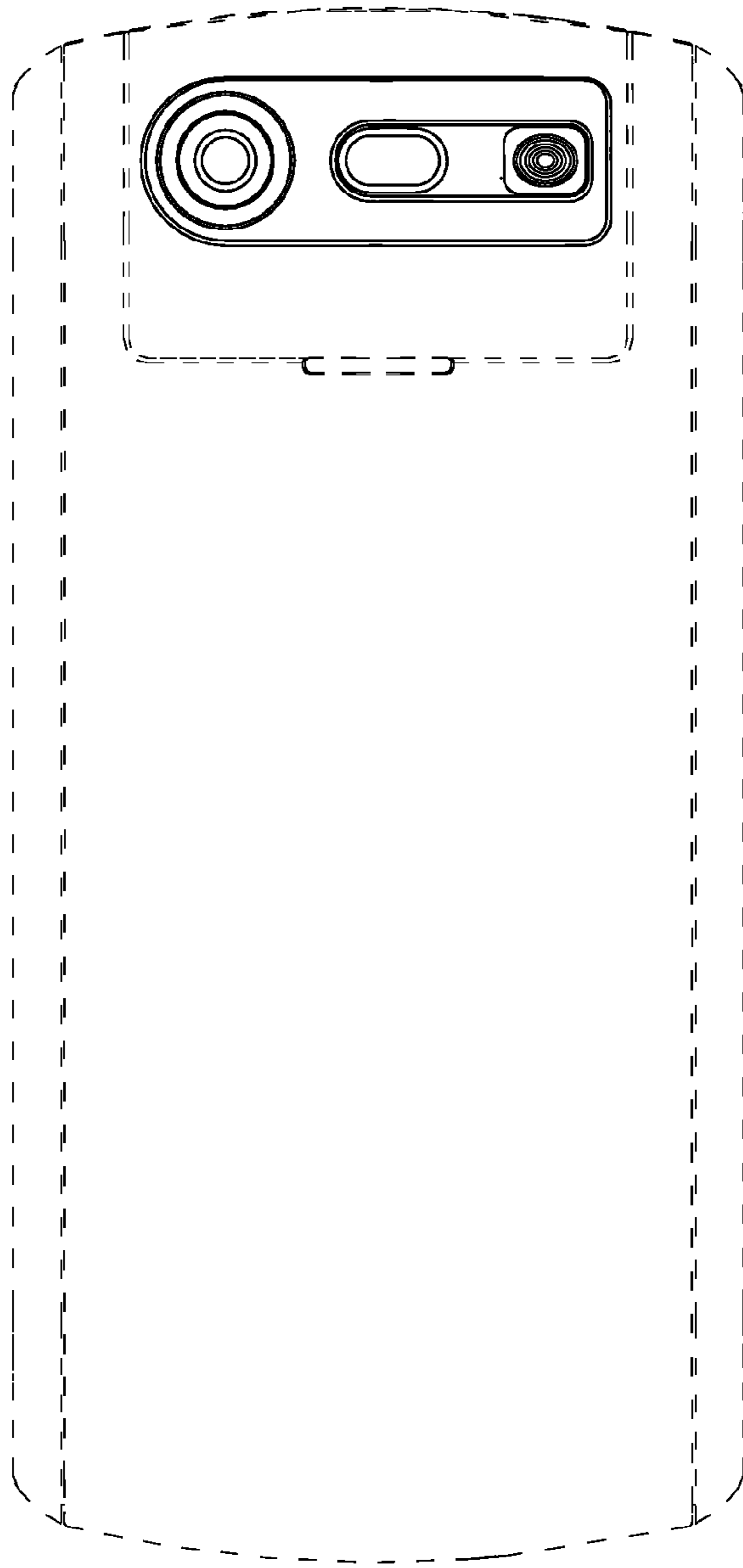


FIG. 7

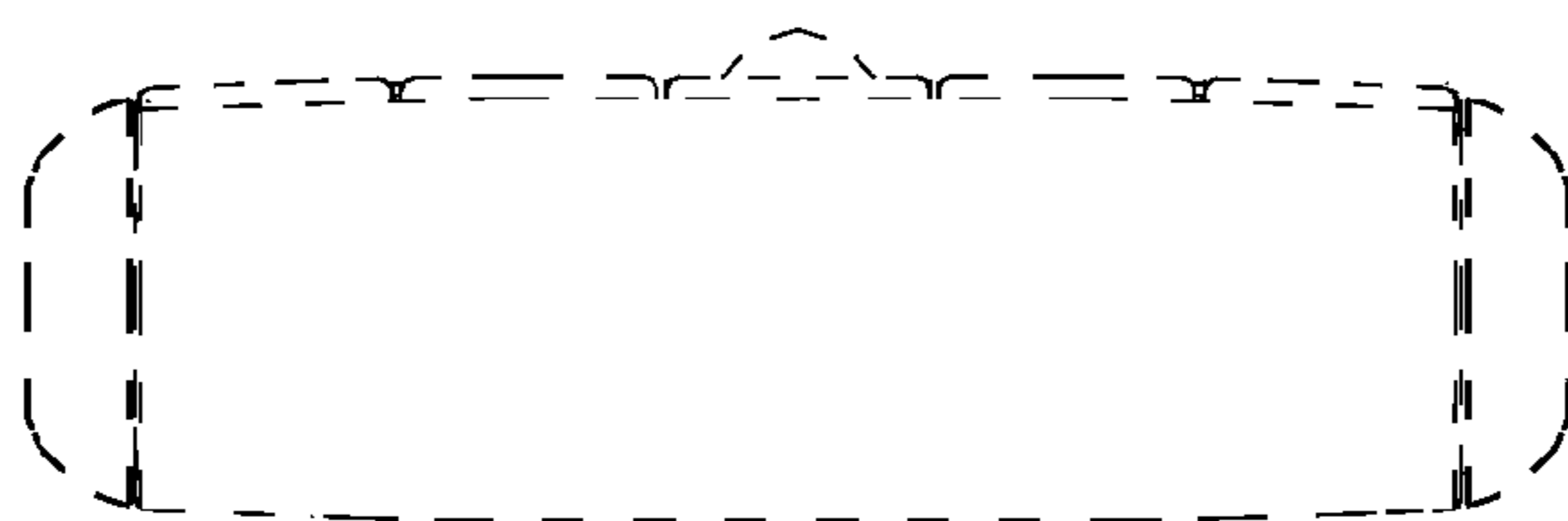


FIG. 8

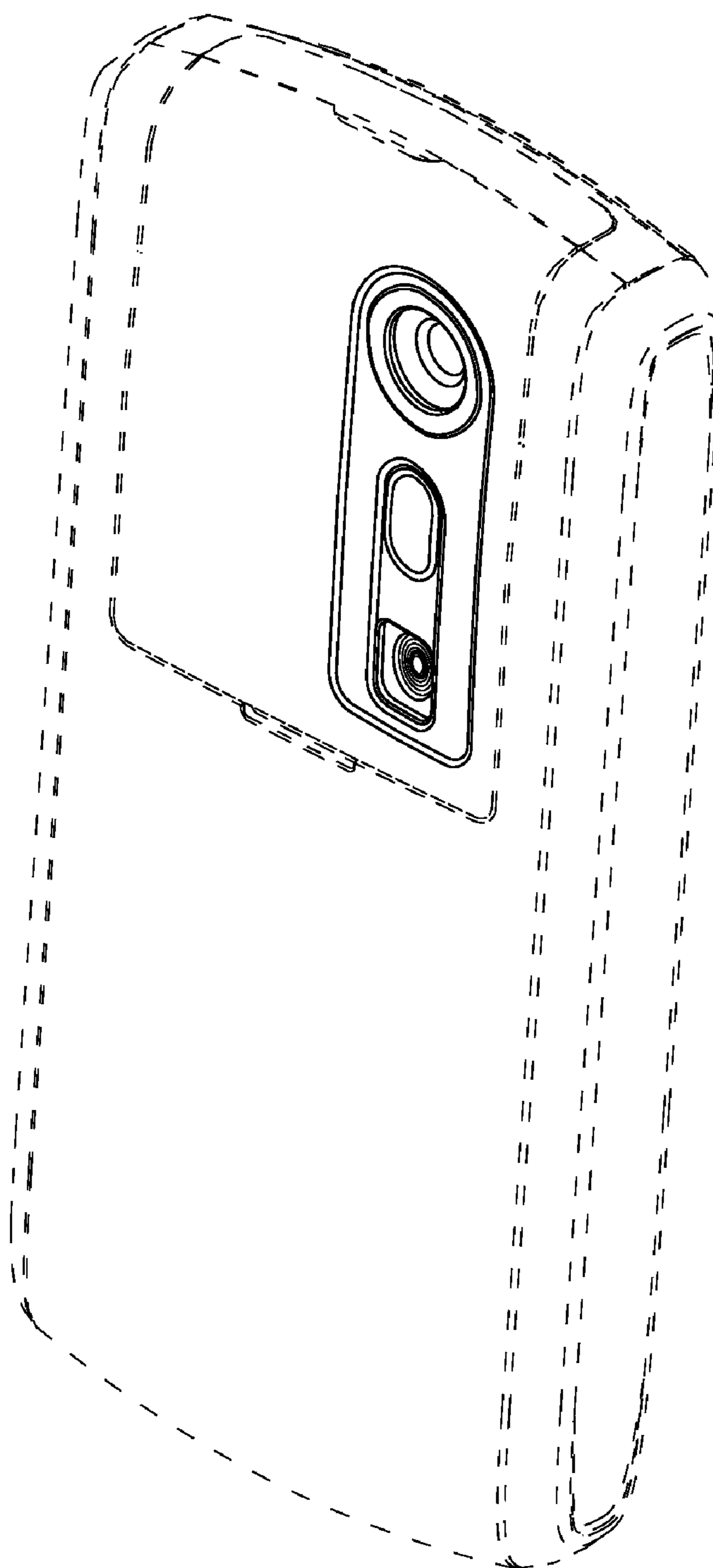


FIG.9

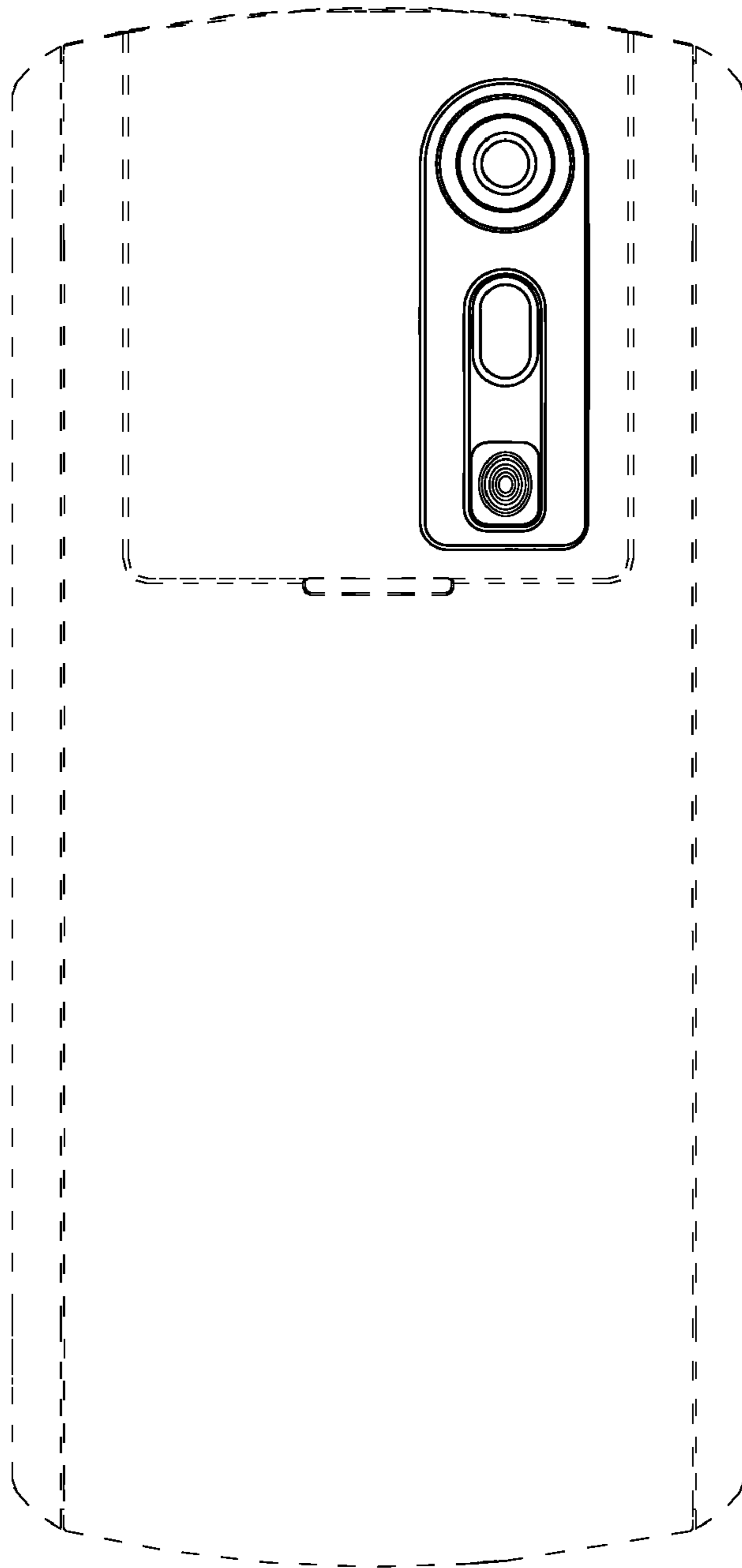


FIG. 10