



US00D611464S

(12) **United States Design Patent**  
**Salazar et al.**

(10) **Patent No.:** **US D611,464 S**  
(45) **Date of Patent:** **\*\* Mar. 9, 2010**

- (54) **KEYPAD FOR A HANDSET**
- (75) Inventors: **Eduardo Salazar**, Reseda, CA (US);  
**Frank Nuovo**, Los Angeles, CA (US)
- (73) Assignee: **Nokia Corporation**, Espoo (FI)
- (\*\*) Term: **14 Years**
- (21) Appl. No.: **29/334,158**
- (22) Filed: **Mar. 20, 2009**
- (51) **LOC (9) Cl.** ..... **14-03**
- (52) **U.S. Cl.** ..... **D14/247**
- (58) **Field of Classification Search** ..... D14/247–248,  
D14/138 R, 138 AD, 138 AC, 138 C, 138 G,  
D14/191, 203.1–203.8, 496, 144, 244, 432,  
D14/439, 455, 456, 138 AA, 138 AB, 137,  
D14/147, 218, 341–347; D10/65, 78, 104;  
D13/168; D18/7; 455/566, 575.1, 575.3;  
345/169

See application file for complete search history.

(56) **References Cited**

**U.S. PATENT DOCUMENTS**

- D485,547 S \* 1/2004 Olson et al. .... D14/218
- D491,929 S \* 6/2004 Nuovo et al. .... D14/247
- D491,930 S \* 6/2004 Widiaman ..... D14/247
- D504,682 S \* 5/2005 Kettula et al. .... D14/247
- D529,022 S \* 9/2006 Lyles ..... D14/247
- D530,318 S \* 10/2006 Kangasmaa ..... D14/247
- D539,791 S \* 4/2007 Sheu ..... D14/247
- D542,259 S \* 5/2007 Cho et al. .... D14/138 AA
- D543,530 S \* 5/2007 Ahn et al. .... D14/138 AA
- D544,858 S \* 6/2007 Lyles ..... D14/247
- D549,699 S \* 8/2007 Bower ..... D14/247
- D550,220 S \* 9/2007 Lyles ..... D14/247
- D550,661 S \* 9/2007 Fahlgren ..... D14/247
- D563,359 S \* 3/2008 Kim et al. .... D14/138 AB
- D568,849 S 5/2008 Nuovo
- D569,822 S 5/2008 Laine

- D569,859 S \* 5/2008 Nuovo ..... D14/247
- D577,011 S \* 9/2008 Huang et al. .... D14/247
- D580,940 S \* 11/2008 Dabov ..... D14/455
- D592,652 S \* 5/2009 Laine ..... D14/247
- D601,981 S \* 10/2009 Kim et al. .... D14/138 AA
- 2001/0042681 A1 \* 11/2001 Yoon et al. .... 200/517
- 2004/0246663 A1 \* 12/2004 Nuovo et al. .... 361/679

**OTHER PUBLICATIONS**

Vertu Constellation Ayxta, announced Sep. 2009, [online], [retrieved on Oct. 28, 2009]. Retrieved from Internet ,<URL: <http://www.gsmarena.com>>.\*

Bird M11, announced 1<sup>st</sup> quarter 2006, [online], [retrieved on Nov. 3, 2009]. Retrieved from Internet ,<URL: <http://www.gsmarena.com>>.\*

\* cited by examiner

*Primary Examiner*—Jeffrey D Asch

*Assistant Examiner*—Bridget L Eland

(74) *Attorney, Agent, or Firm*—Banner & Witcoff, Ltd.

(57) **CLAIM**

The ornamental design for a keypad for a handset, as shown and described.

**DESCRIPTION**

FIG. 1 is a perspective front view of a keypad for a handset showing our new design;

FIG. 2 is a front view thereof;

FIG. 3 is a right side view thereof;

FIG. 4 is a left side view thereof;

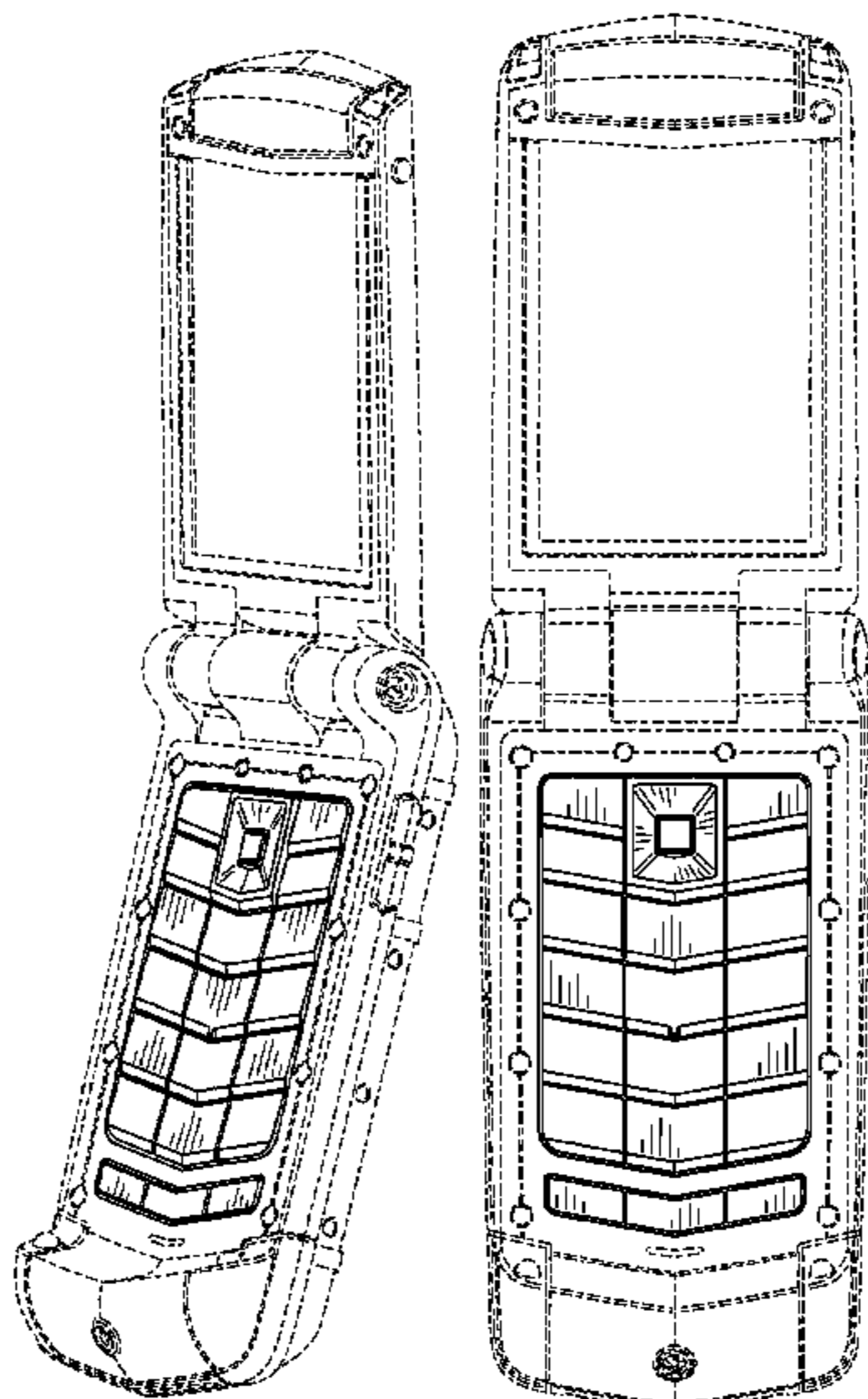
FIG. 5 is a top view thereof;

FIG. 6 is a bottom view thereof; and,

FIG. 7 is a rear view thereof.

The broken line showing of the environmental structure of the handset is for environmental purposes only and forms no part of the claimed design.

**1 Claim, 5 Drawing Sheets**



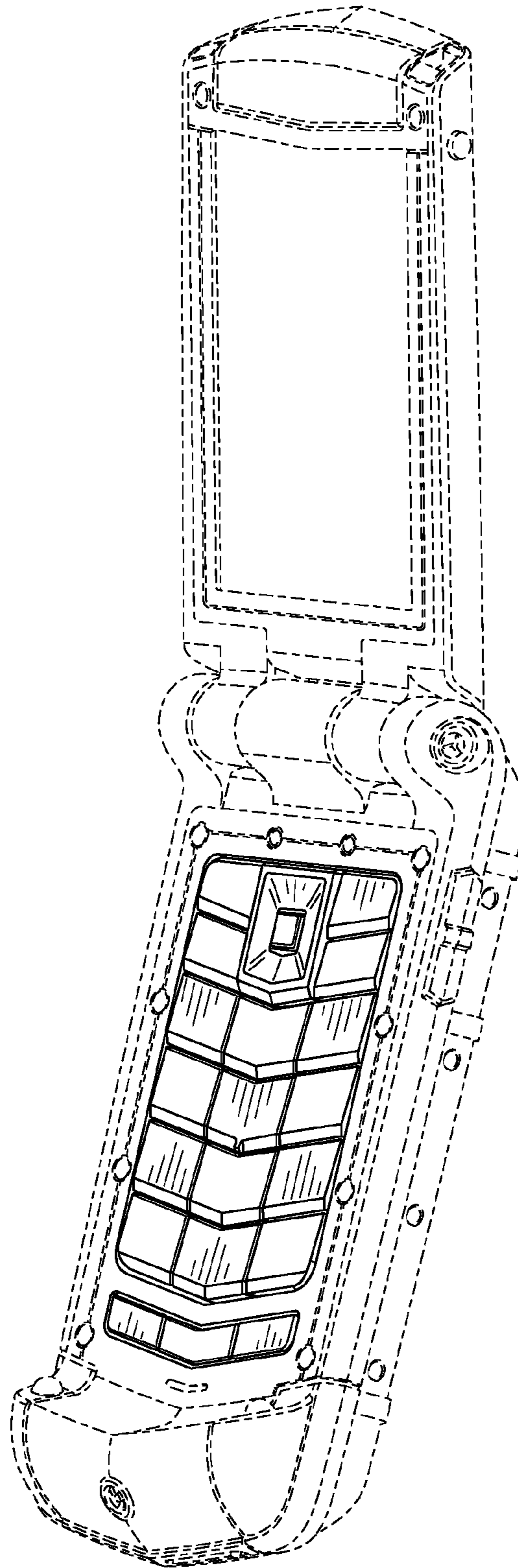


FIG. 1

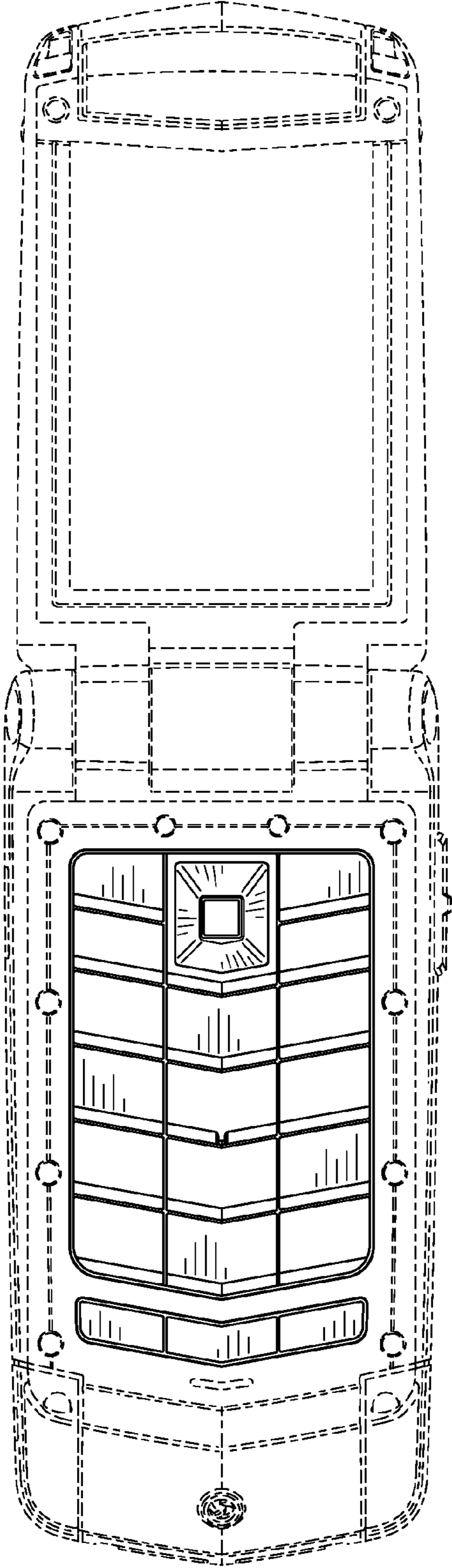


FIG. 2

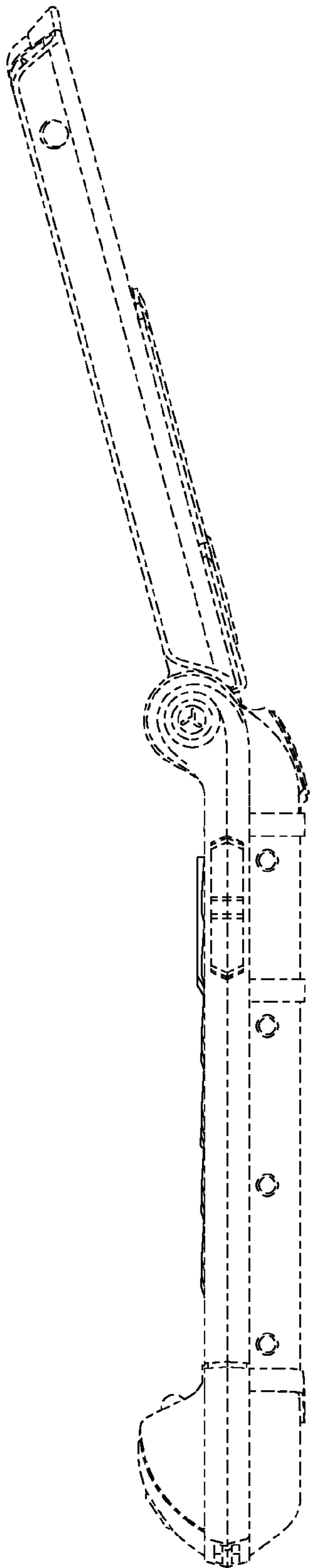


FIG. 3

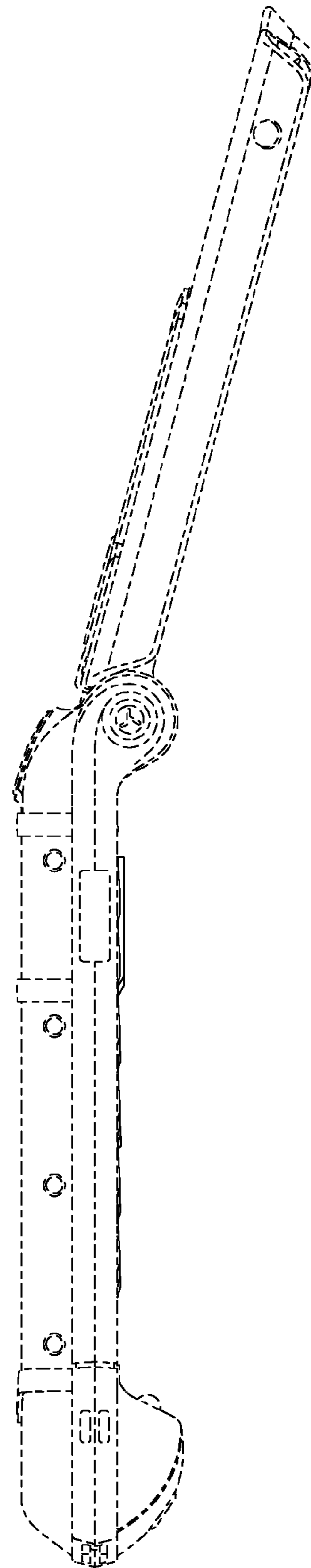


FIG. 4

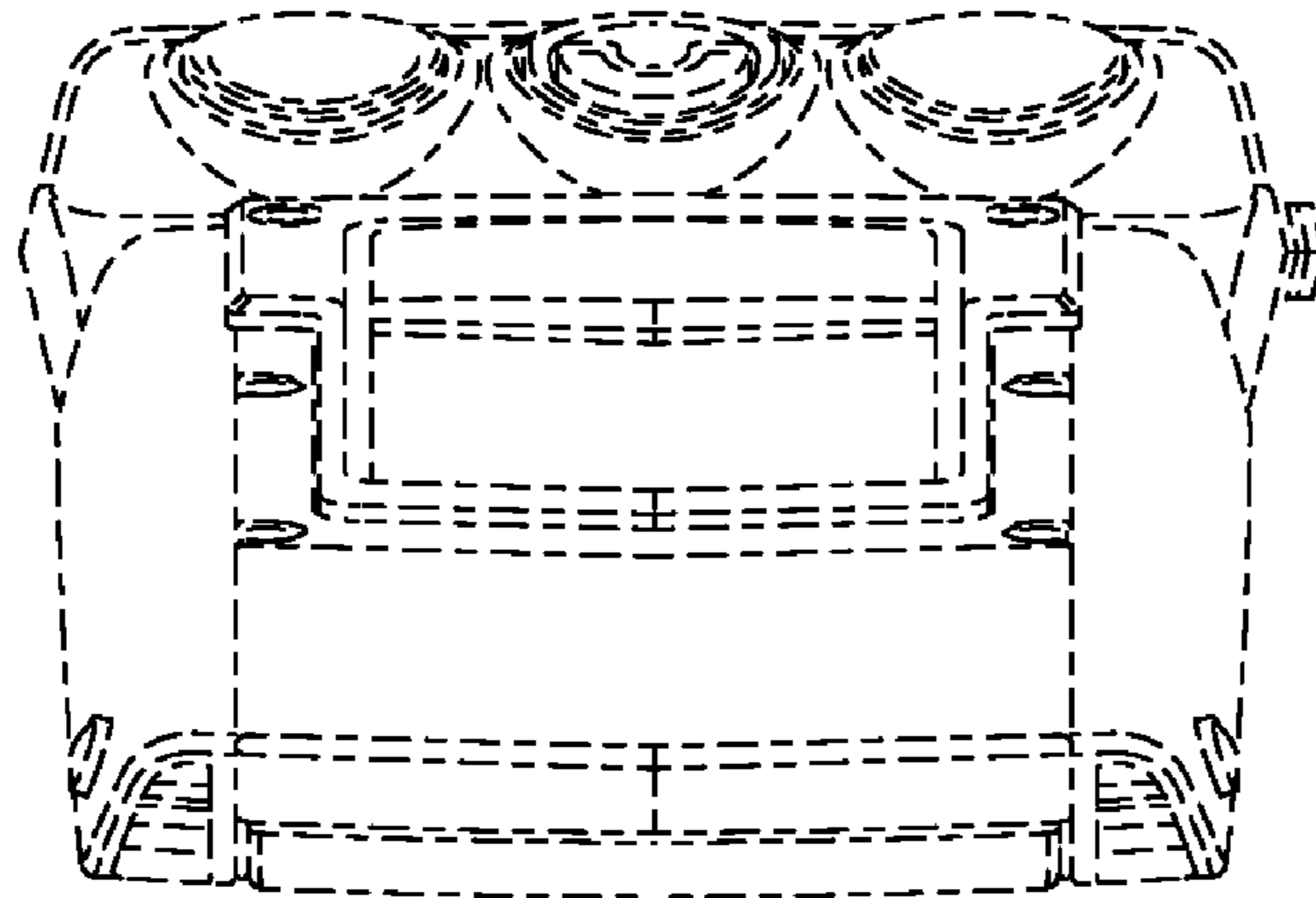


FIG. 5

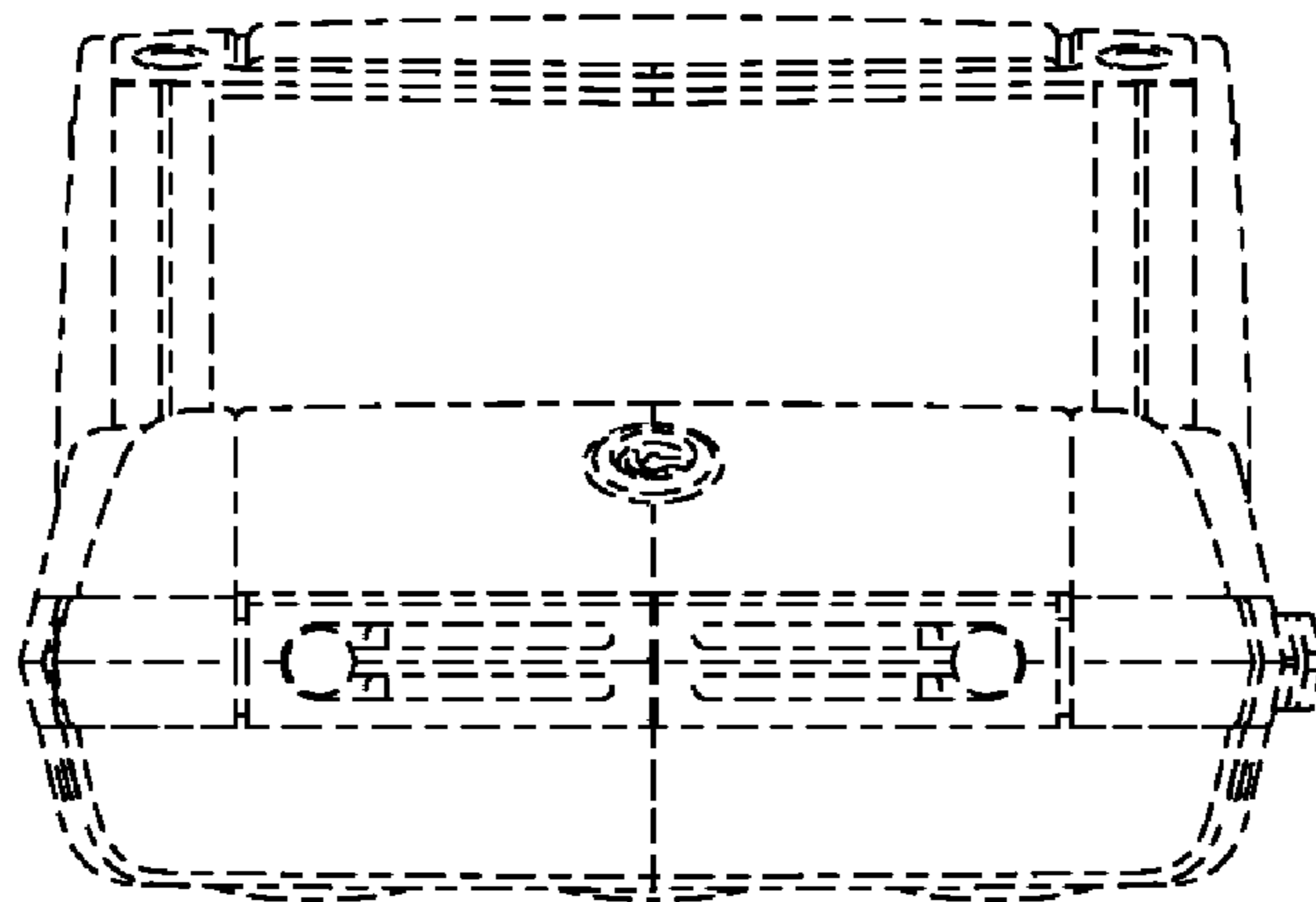


FIG. 6

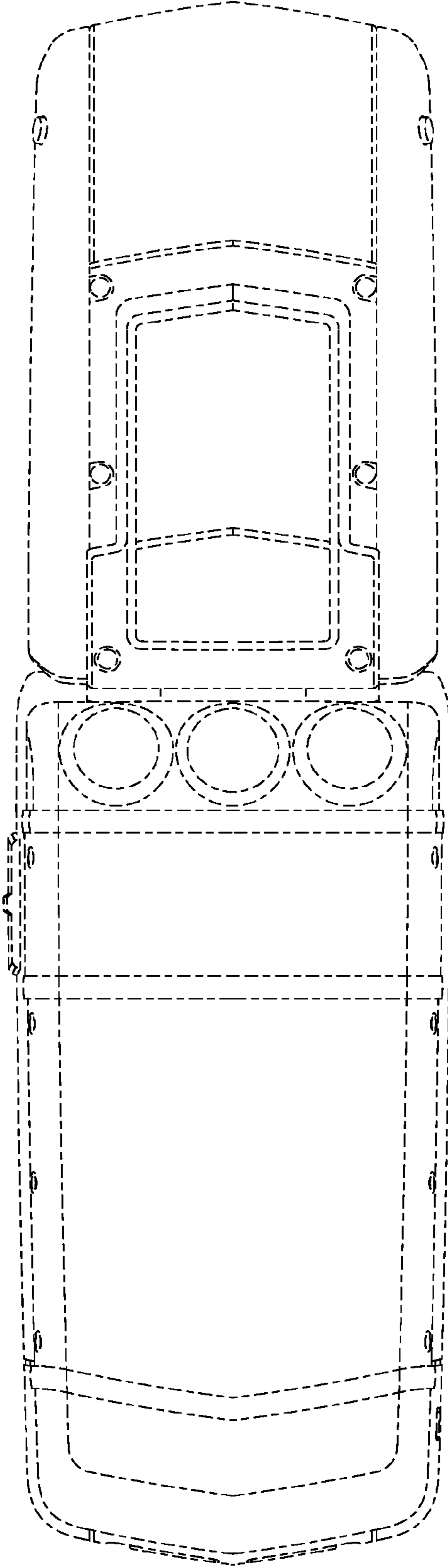


FIG. 7