



US00D611462S

(12) **United States Design Patent**
McGuire

(10) **Patent No.:** **US D611,462 S**
(45) **Date of Patent:** **** Mar. 9, 2010**

(54) **COMPUTER TELEPHONY DEVICE**

(75) Inventor: **Mike McGuire**, Ottawa (CA)

(73) Assignee: **Pika Technologies Inc.**, Kanata, Ontario (CA)

(**) Term: **14 Years**

(21) Appl. No.: **29/334,716**

(22) Filed: **Mar. 31, 2009**

(51) **LOC (9) Cl.** **14-03**

(52) **U.S. Cl.** **D14/240**

(58) **Field of Classification Search** D14/240,
D14/242, 140, 218, 358; D13/168, 184;
360/69; 379/220.01, 220.02, 25, 93.09, 93.15,
379/93.14, 156, 900; 455/550.1, 557
See application file for complete search history.

(56) **References Cited**

U.S. PATENT DOCUMENTS

D392,644 S *	3/1998	McGugan	D14/240
D392,645 S *	3/1998	Wakabayashi	D14/240
D410,469 S *	6/1999	Sathikh	D14/242
D430,147 S *	8/2000	Willkens et al.	D14/240
D435,041 S *	12/2000	Coker et al.	D14/240
D453,154 S *	1/2002	Åstradsson	D14/240
D462,676 S *	9/2002	Sodling	D14/240
D472,235 S *	3/2003	Chen	D14/242
D489,059 S *	4/2004	Dendou et al.	D14/242
D514,096 S *	1/2006	Storti et al.	D14/240
D523,854 S *	6/2006	Rinna et al.	D14/358
D530,315 S *	10/2006	Liu	D14/240

D530,316 S *	10/2006	Hsu et al.	D14/240
D535,651 S *	1/2007	Wong et al.	D14/240
D548,731 S *	8/2007	Liu et al.	D14/240
D583,366 S *	12/2008	Chen	D14/240
D583,367 S *	12/2008	Chen	D14/358
D598,436 S *	8/2009	Tseng	D14/240
D598,449 S *	8/2009	Landry et al.	D14/358

* cited by examiner

Primary Examiner—Charles A Rademaker

(74) *Attorney, Agent, or Firm*—Curtis B. Behmann; Borden Ladner Gervais LLP

(57) **CLAIM**

The ornamental design for a computer telephony device, as shown and described.

DESCRIPTION

FIG. 1 is a top front right perspective view of a computer telephony device of the design;

FIG. 2 is a top left rear perspective view thereof;

FIG. 3 is a top view thereof;

FIG. 4 is a front view thereof;

FIG. 5 is a right side view thereof;

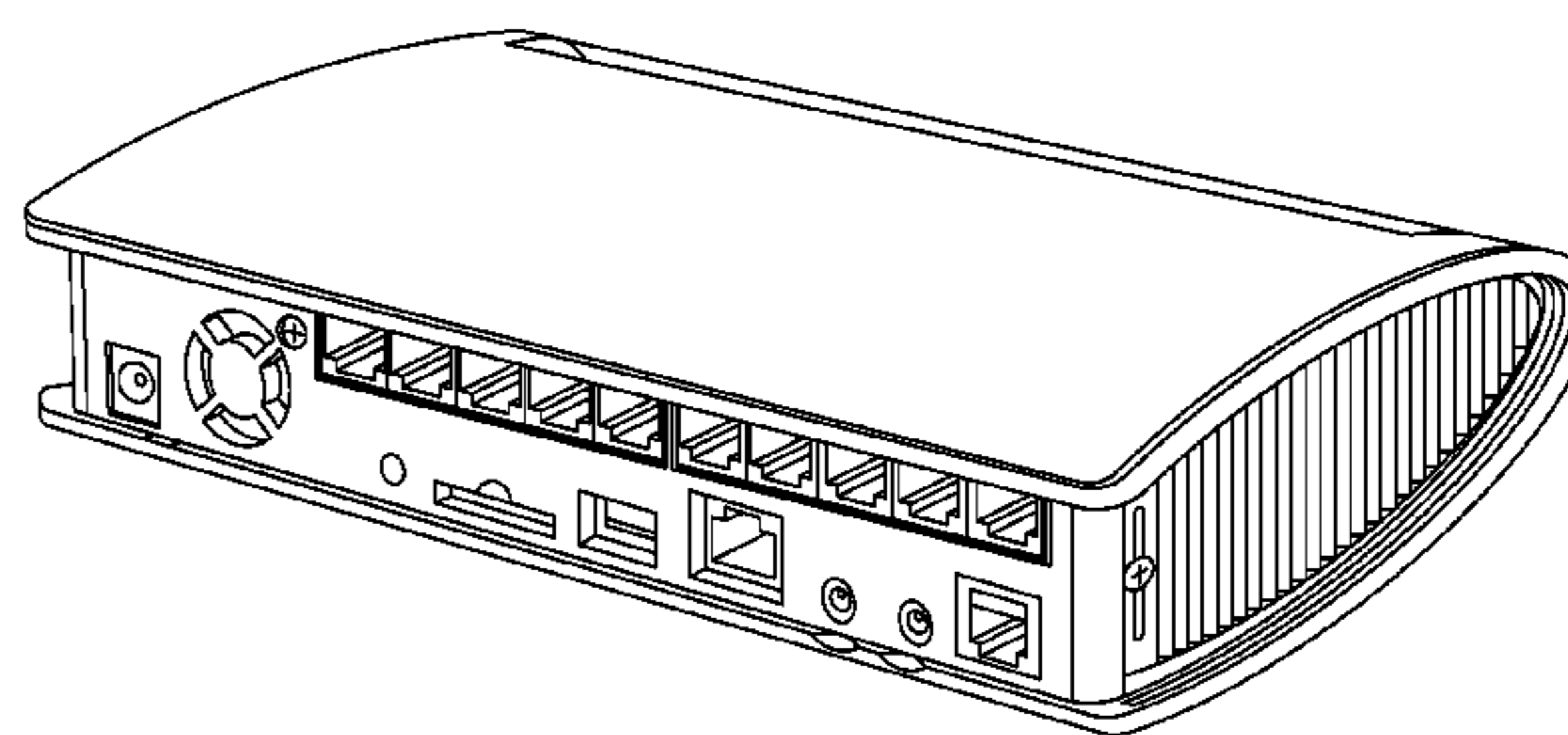
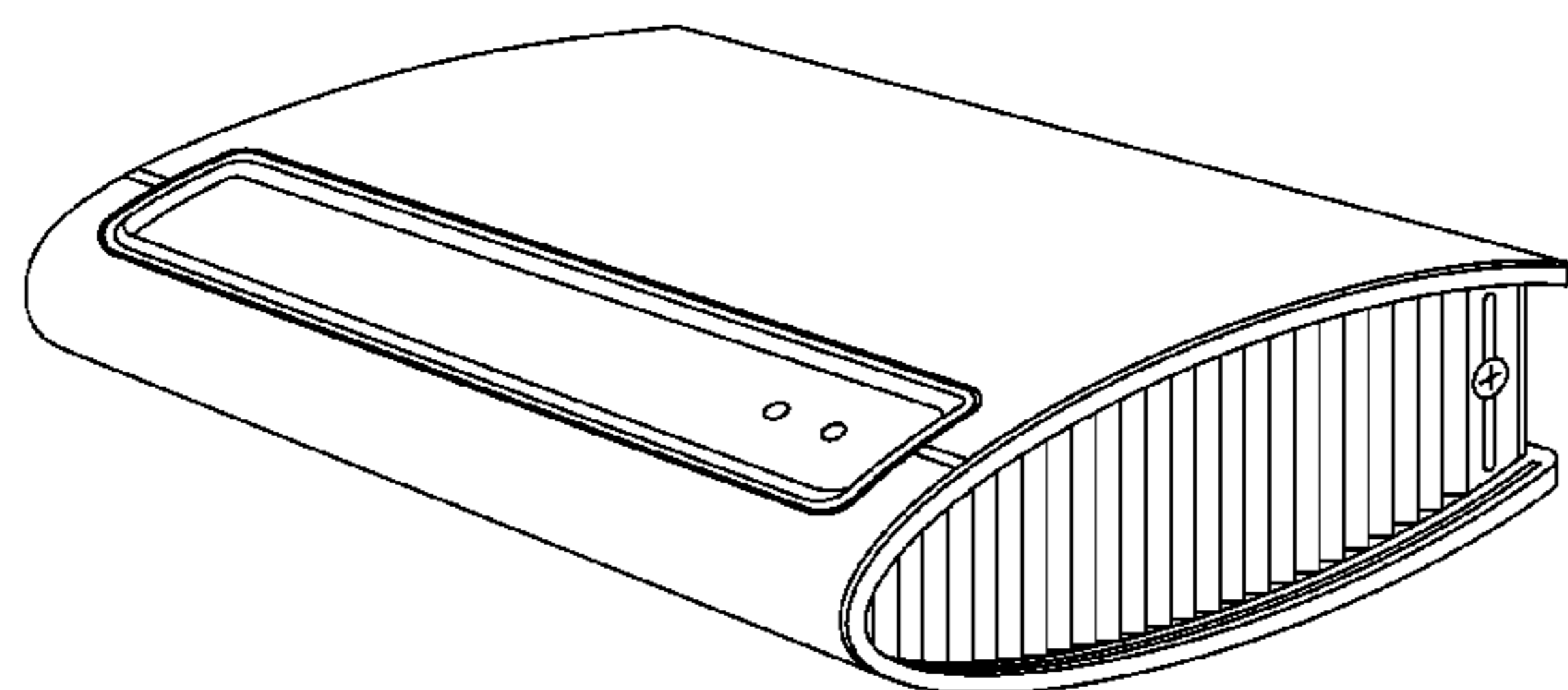
FIG. 6 is a left side view thereof;

FIG. 7 is a bottom view thereof; and,

FIG. 8 is a rear view thereof.

The broken lines shown in the figure drawings are included for the purpose of illustrating structural environment and form no part of the claimed design.

1 Claim, 4 Drawing Sheets



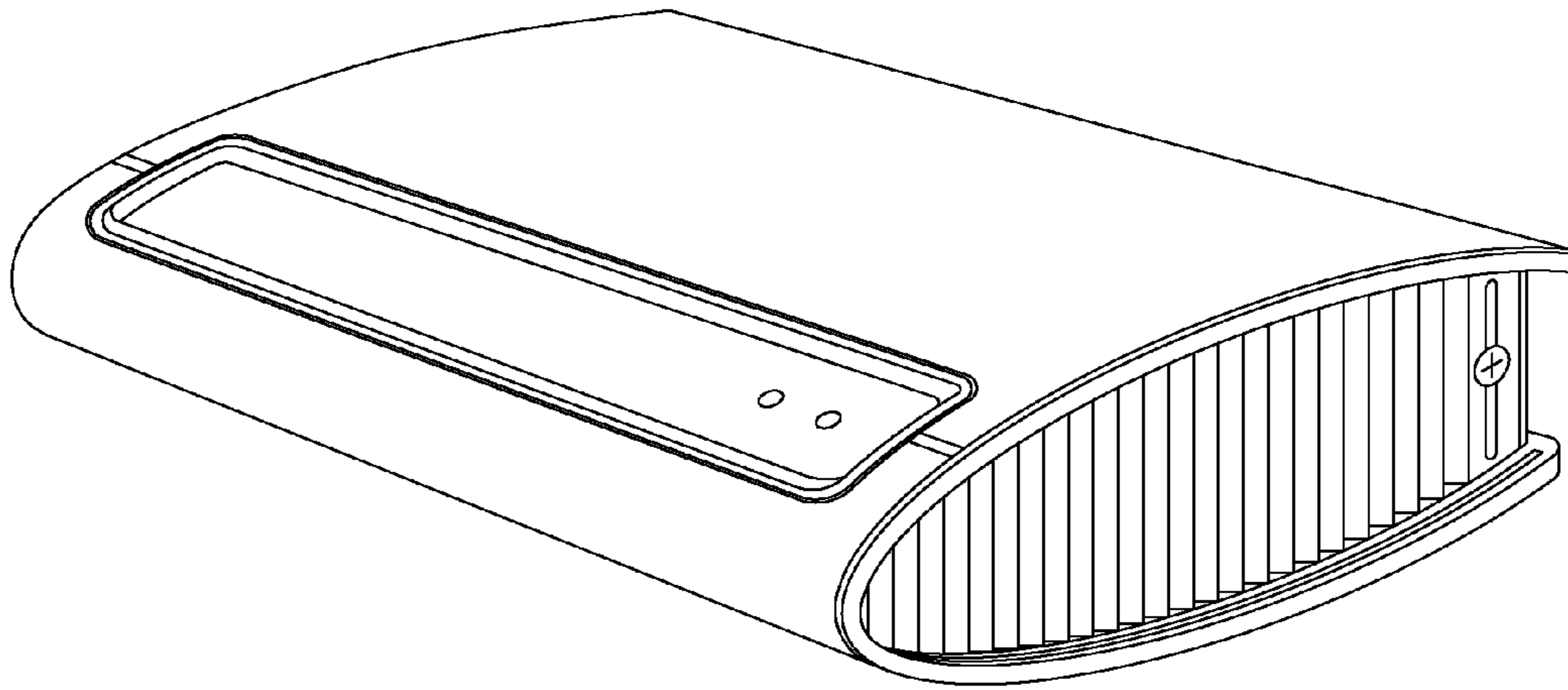


FIG. 1

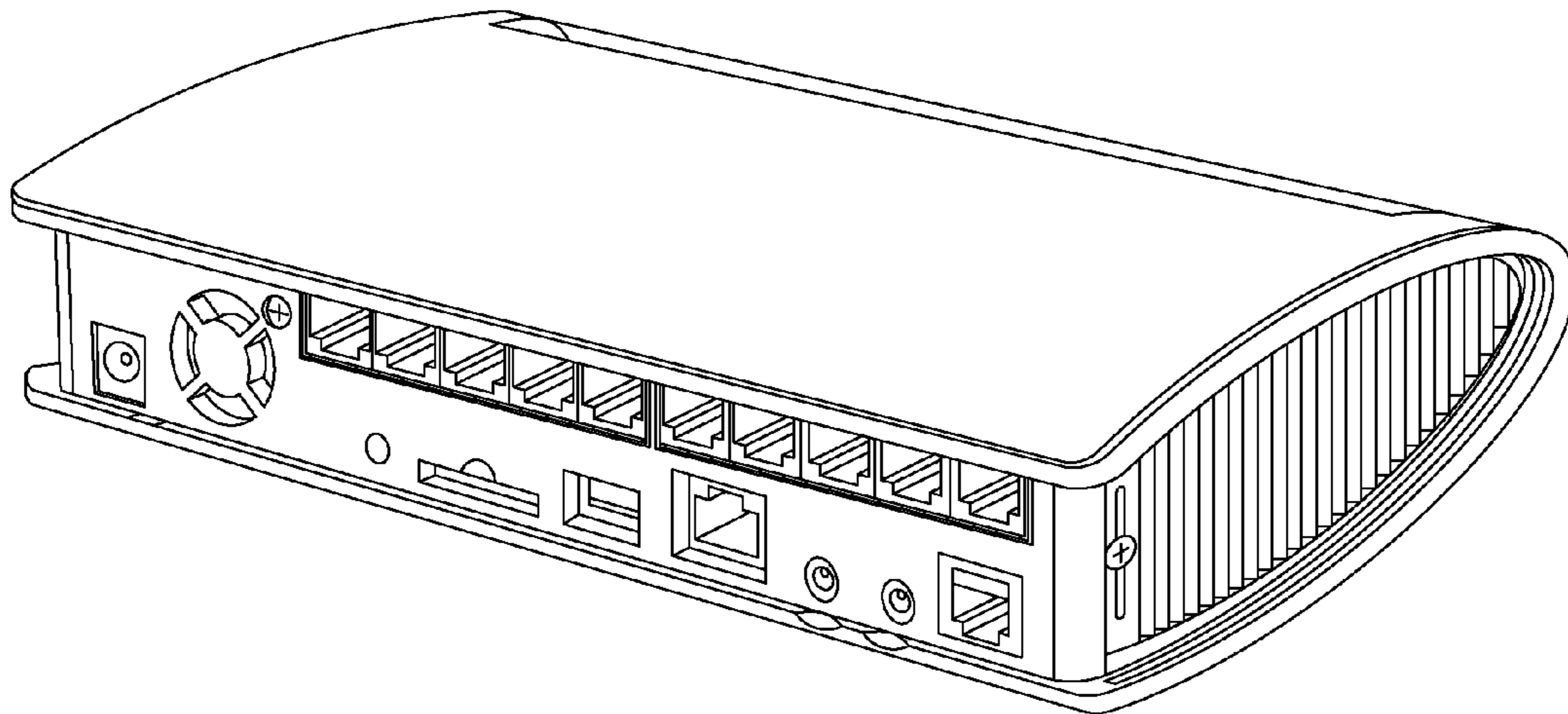


FIG. 2



FIG. 3

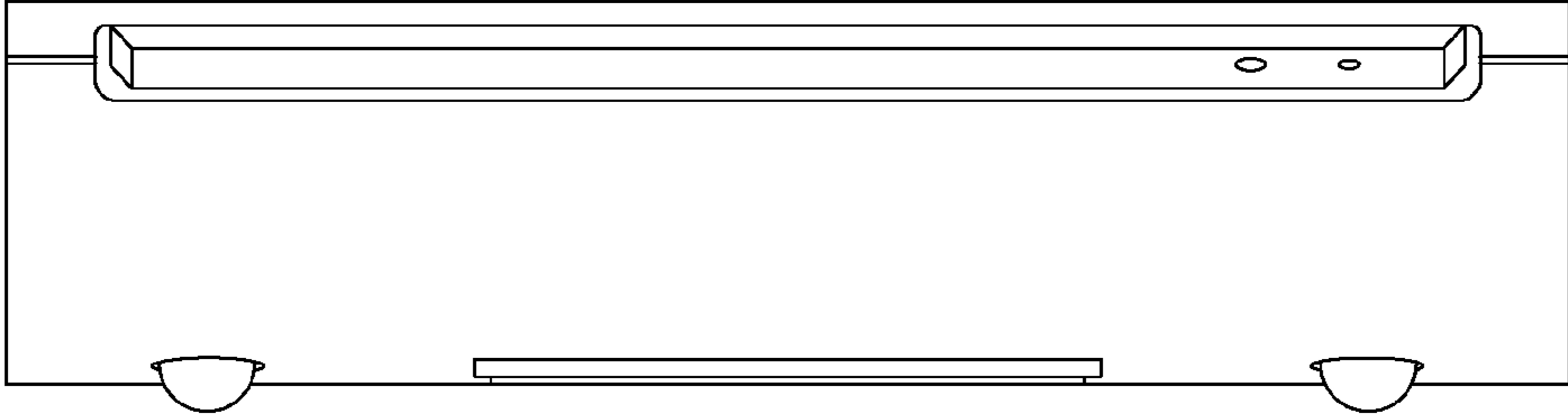


FIG. 4

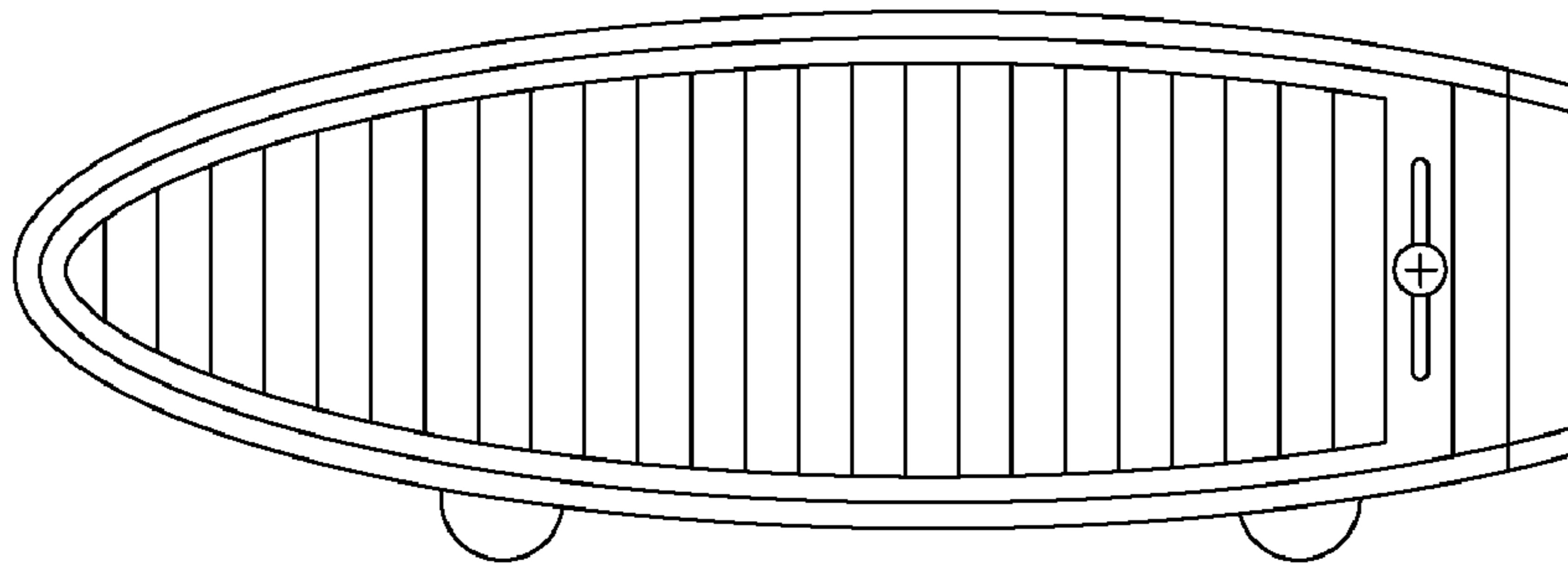


FIG. 5

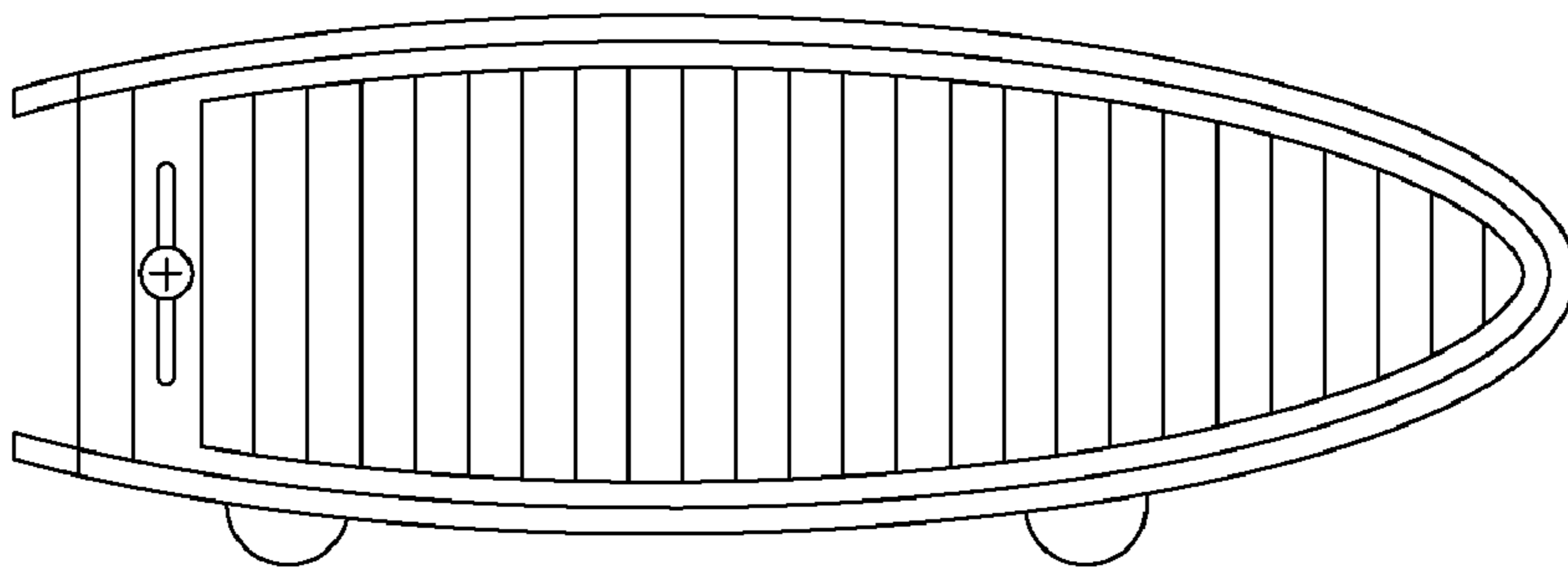


FIG. 6

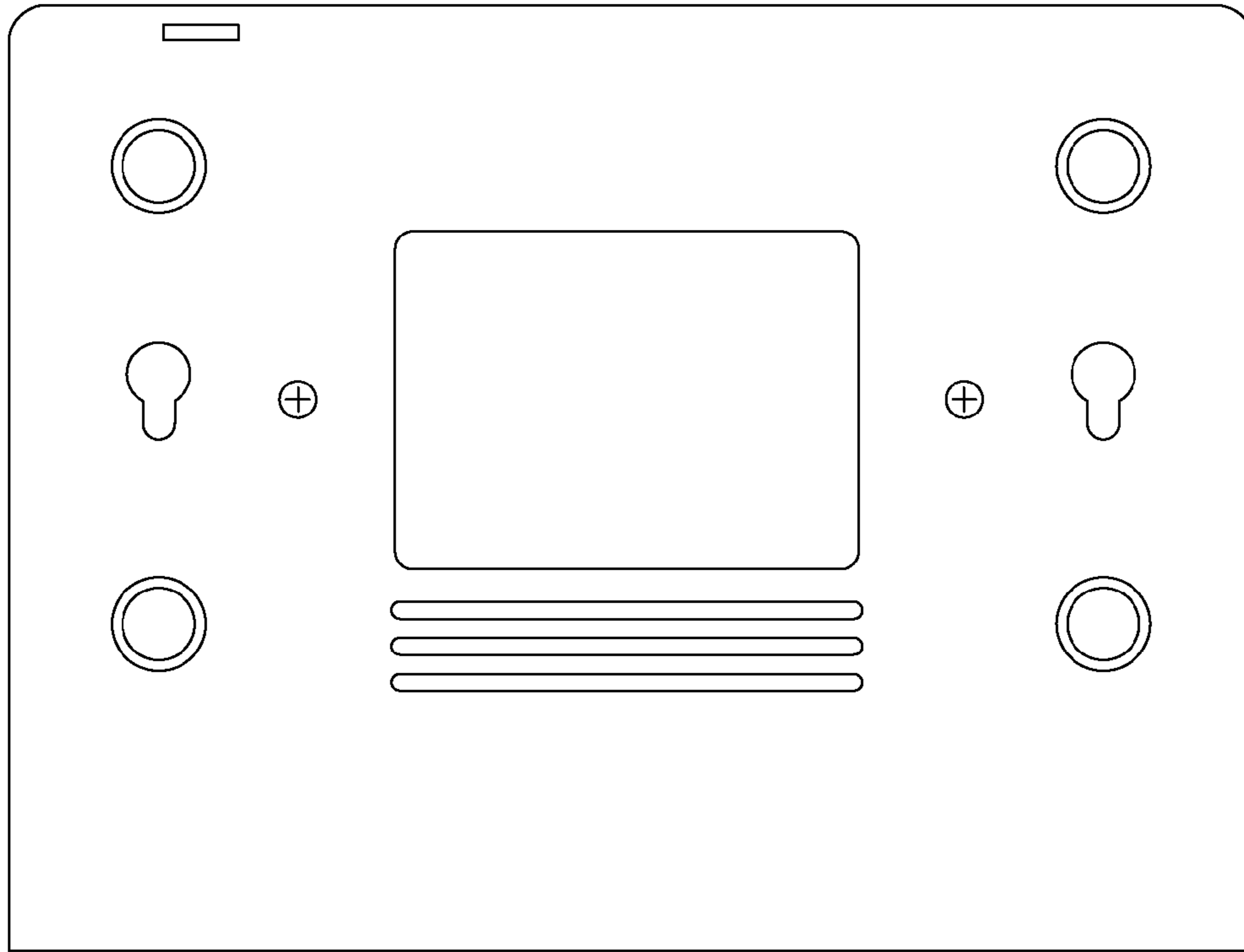


FIG. 7

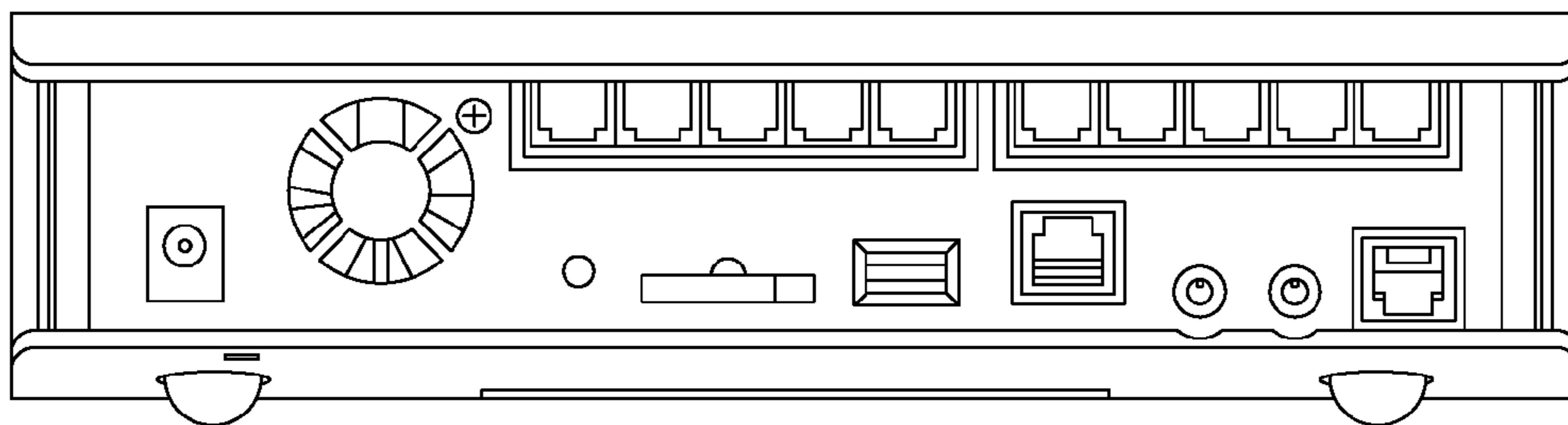


FIG. 8