



US00D611461S

(12) **United States Design Patent**
Schmitz et al.

(10) **Patent No.:** **US D611,461 S**
(45) **Date of Patent:** **** Mar. 9, 2010**

(54) **ANTENNA MOUNT ACTUATOR ADAPTER**

(57) **CLAIM**

(75) Inventors: **John J. Schmitz**, Macomb, MI (US);
Robert G. Washburn, Sterling Heights,
MI (US)

The ornamental design for an antenna mount actuator adapter, as shown and described.

(73) Assignee: **The United States of the America as represented by the Secretary of the Army**, Washington, DC (US)

DESCRIPTION

(**) Term: **14 Years**

The invention described here may be made, used and licensed by and for the U.S. Government for governmental purposes without paying royalty to us.

(21) Appl. No.: **29/344,513**

FIG. 1 is an isometric view of an antenna mount actuator adapter;

(22) Filed: **Sep. 30, 2009**

FIG. 2 is a front elevation view of the antenna mount actuator adapter;

(51) **LOC (9) Cl.** **14-03**

FIG. 3 is a rear elevation view of the antenna mount actuator adapter;

(52) **U.S. Cl.** **D14/238**

(58) **Field of Classification Search** D14/230-238,
D14/354, 299, 358; D6/495; D16/242; 343/700 R,
343/878-892; 455/561

FIG. 4 is a top plan view of the antenna mount actuator adapter;

See application file for complete search history.

FIG. 5 is a bottom plan view of the antenna mount actuator adapter;

(56) **References Cited**

U.S. PATENT DOCUMENTS

2,486,850	A *	11/1949	Edwin	451/241
4,101,897	A	7/1978	Morrison		
4,114,913	A *	9/1978	Newell et al.	280/14.21
4,663,635	A	5/1987	Wu		
6,220,609	B1 *	4/2001	Jones	280/1.13
6,577,281	B2	6/2003	Yamamoto et al.		
7,259,724	B2	8/2007	Young et al.		
D551,222	S *	9/2007	Sullivan et al.	D14/238
D583,124	S *	12/2008	Stark	D34/34
D593,079	S	5/2009	Schmitz et al.		

FIG. 6 is a left side elevation view of the antenna mount actuator adapter (the right side elevation view being a mirror of the left and is not illustrated);

FIG. 7 is a front, left, top isometric view of the antenna mount actuator adapter, wherein the antenna mount adapter implemented in a typical environment is illustrated; and,

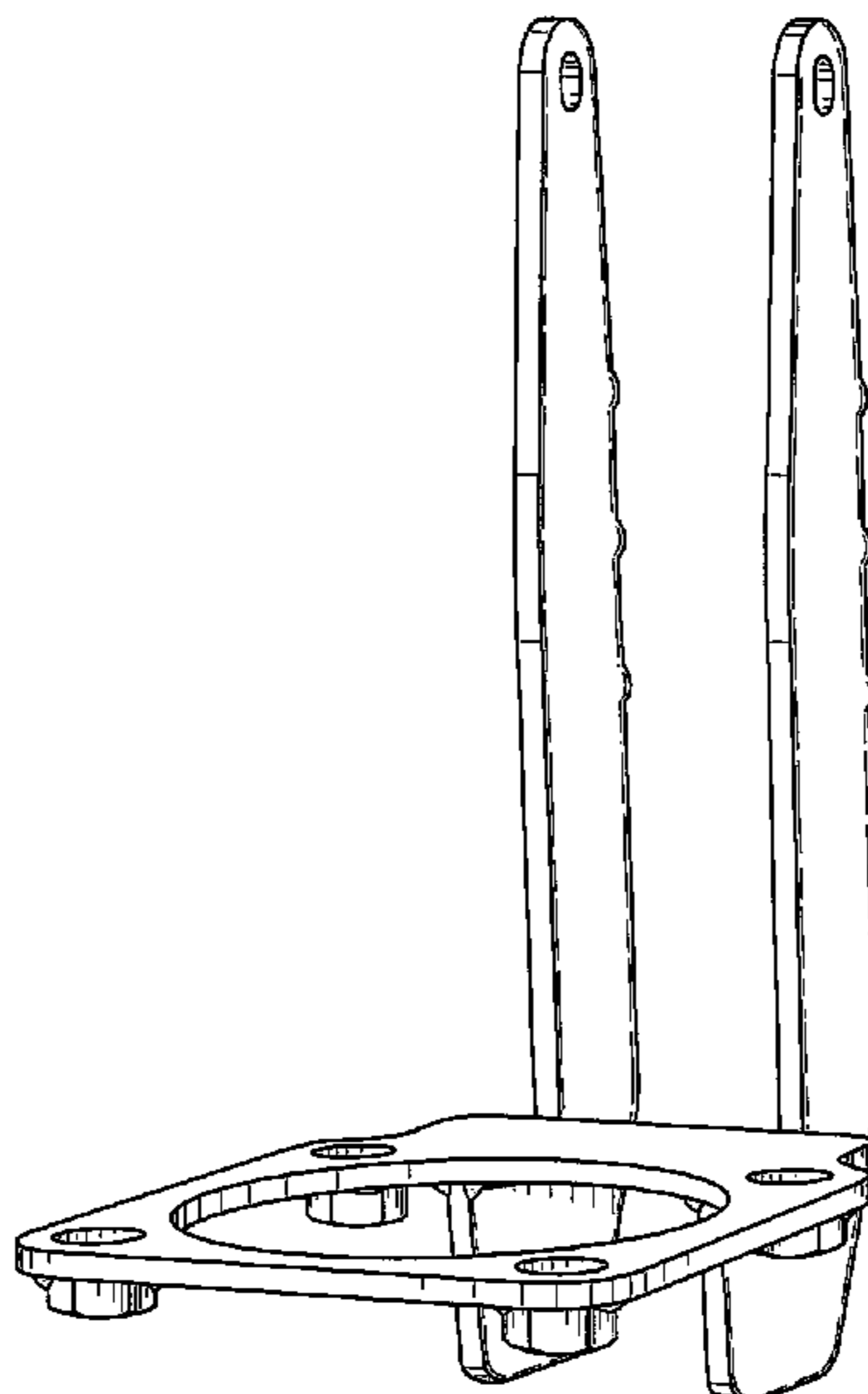
FIG. 8 is a rear, bottom isometric view of the antenna mount actuator adapter, wherein the antenna mount adapter implemented in the typical environment is illustrated.

* cited by examiner

The broken lines depict environmental structure illustrating the design in a condition of use. The broken lines and structure do not depict or form any part of the claimed design. Views are orthogonal projections unless otherwise noted. The various views are not necessarily to scale in order to better illustrate the design.

Primary Examiner—T. Chase Nelson
Assistant Examiner—John Windmuller
(74) *Attorney, Agent, or Firm*—David L. Kuhn; Thomas W. Saur; Luis Miguel Acosta

1 Claim, 7 Drawing Sheets



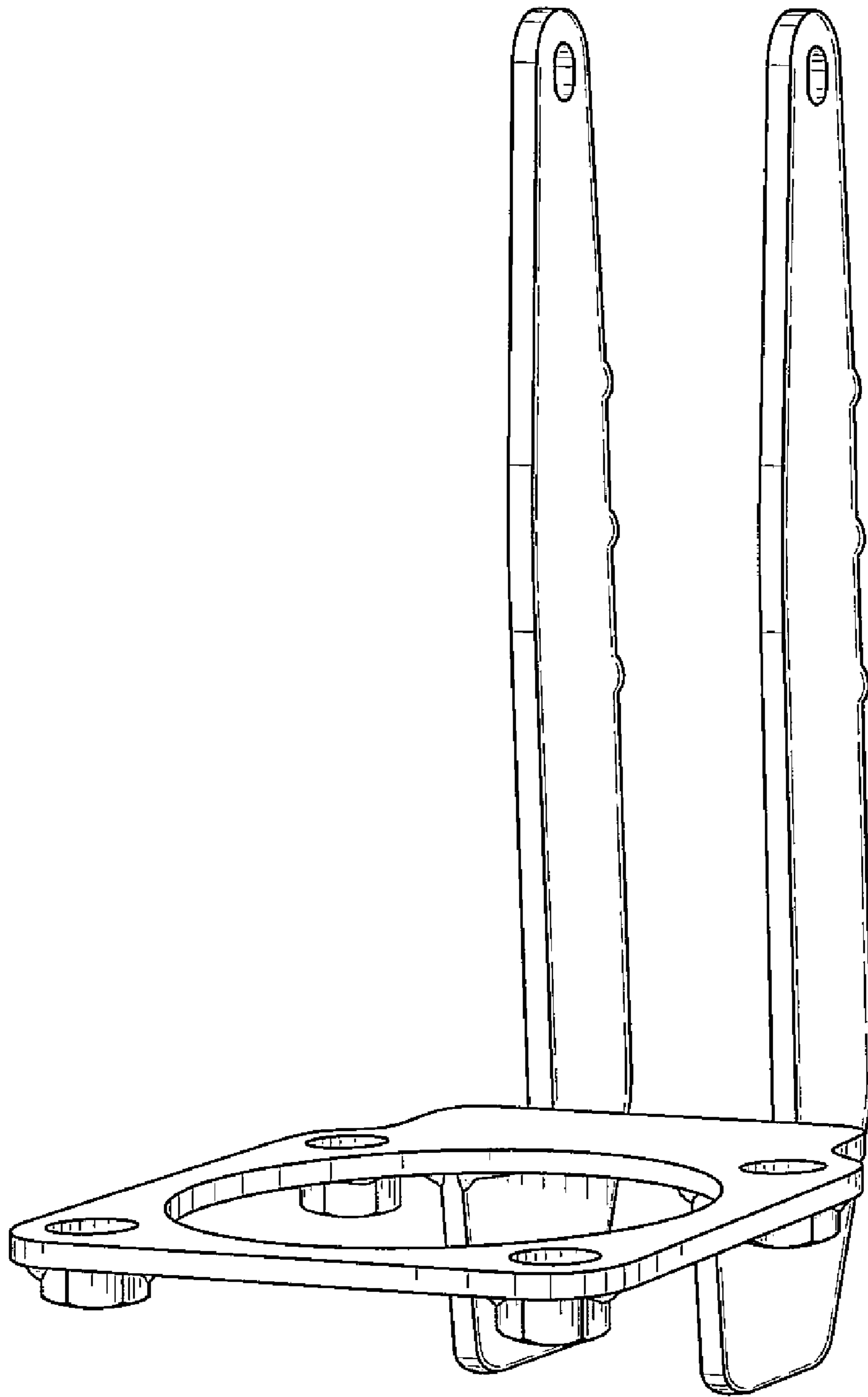


FIG. 1

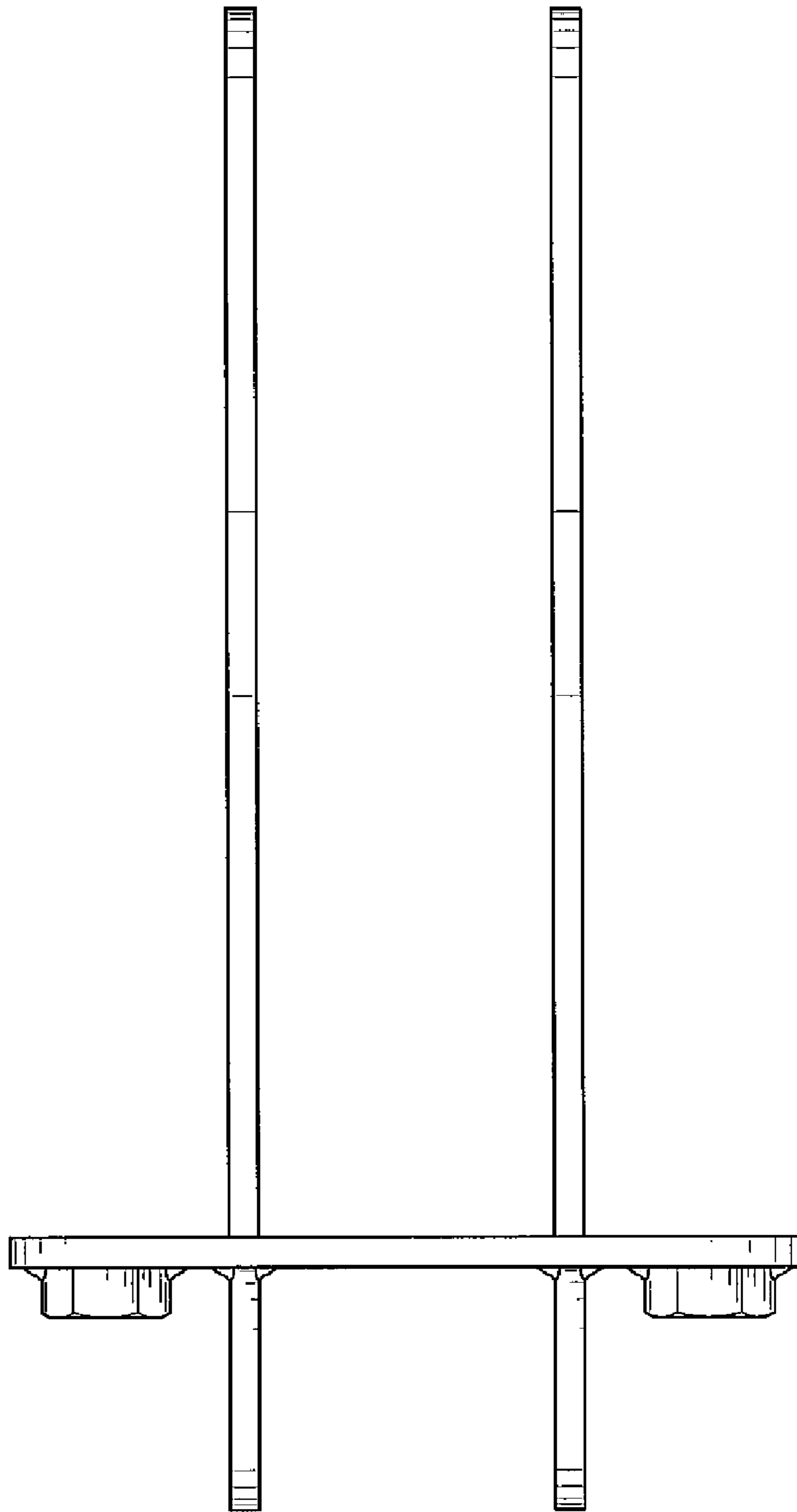


FIG. 2

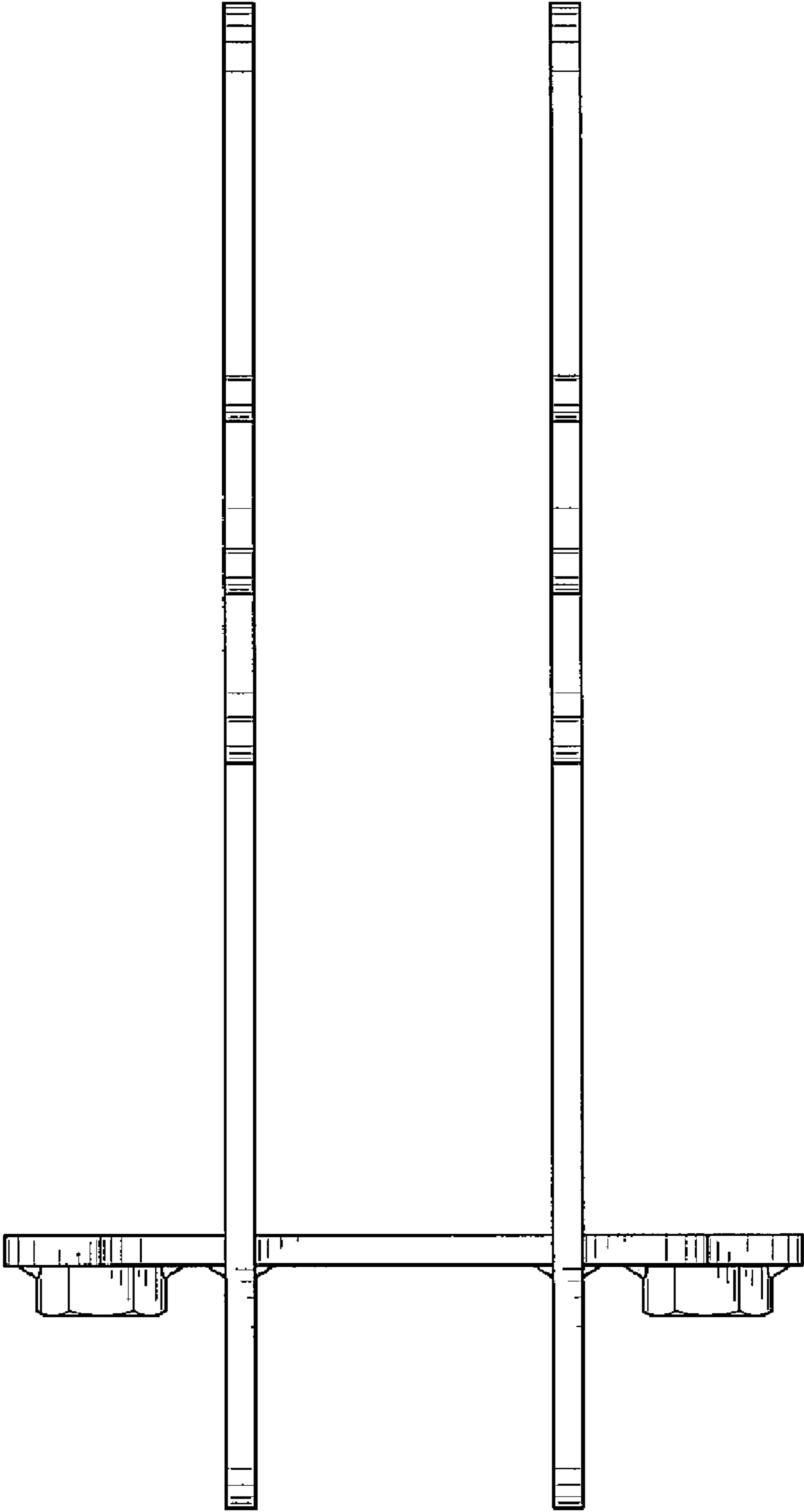


FIG. 3

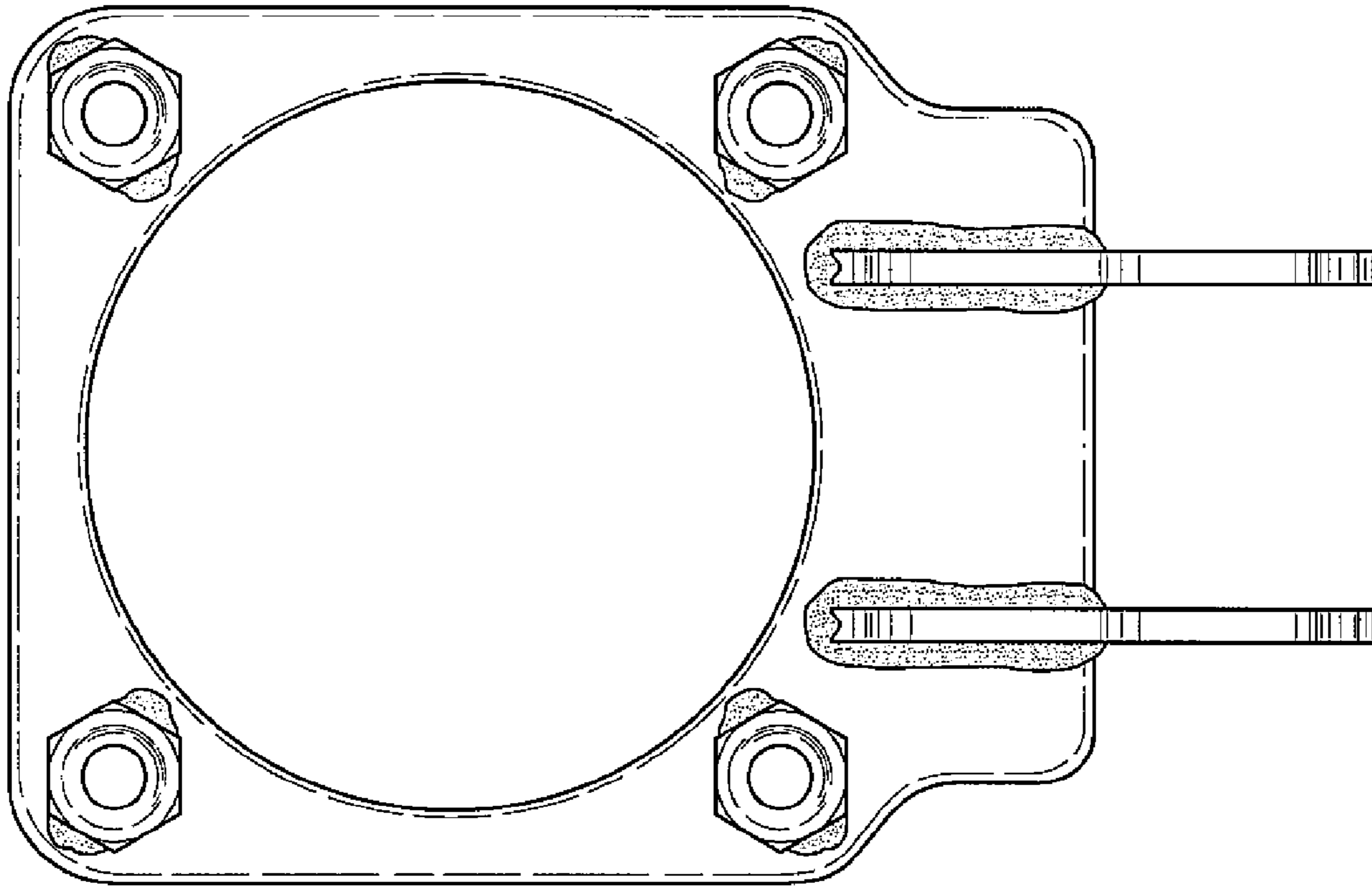


FIG. 5

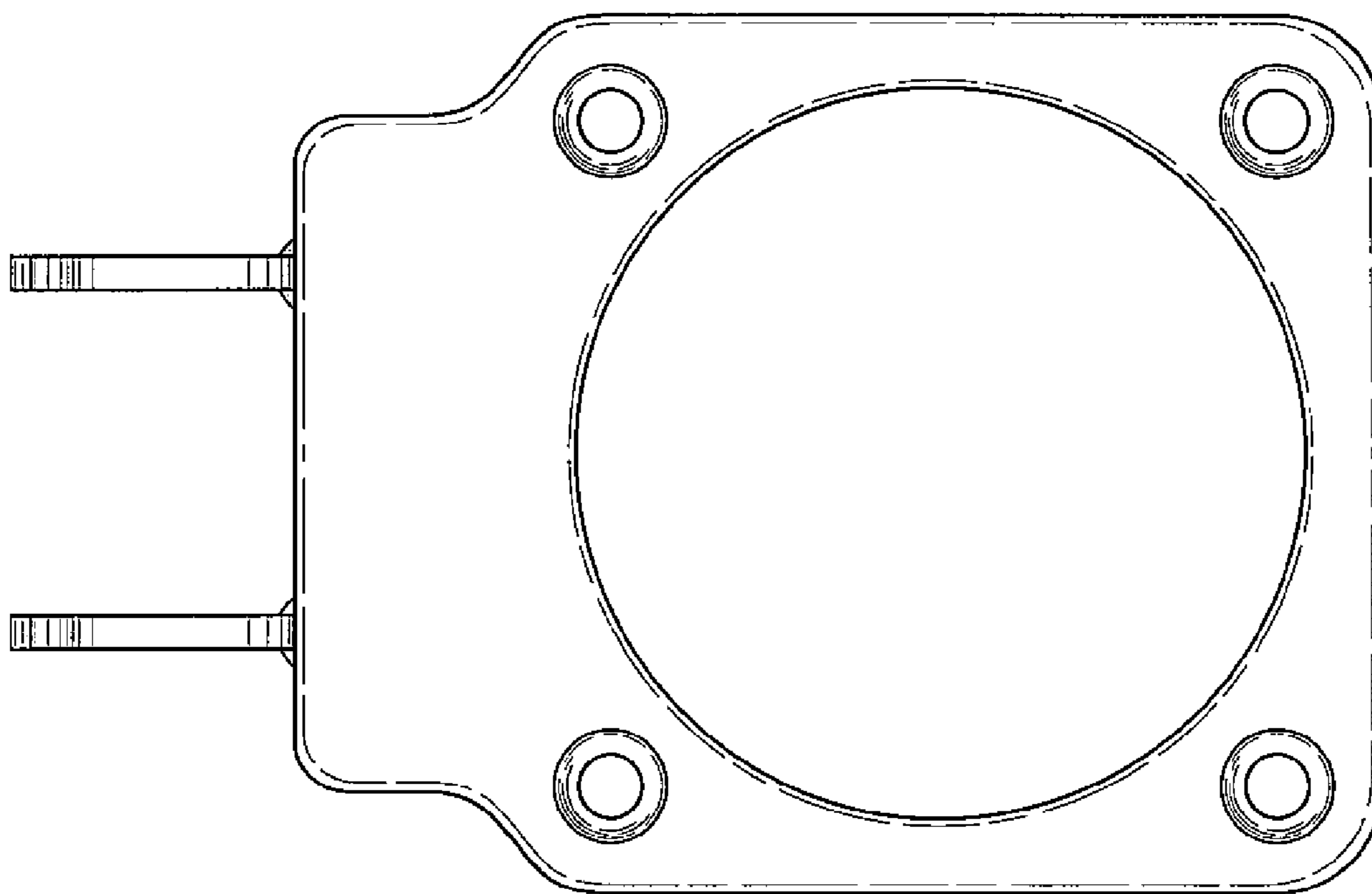


FIG. 4

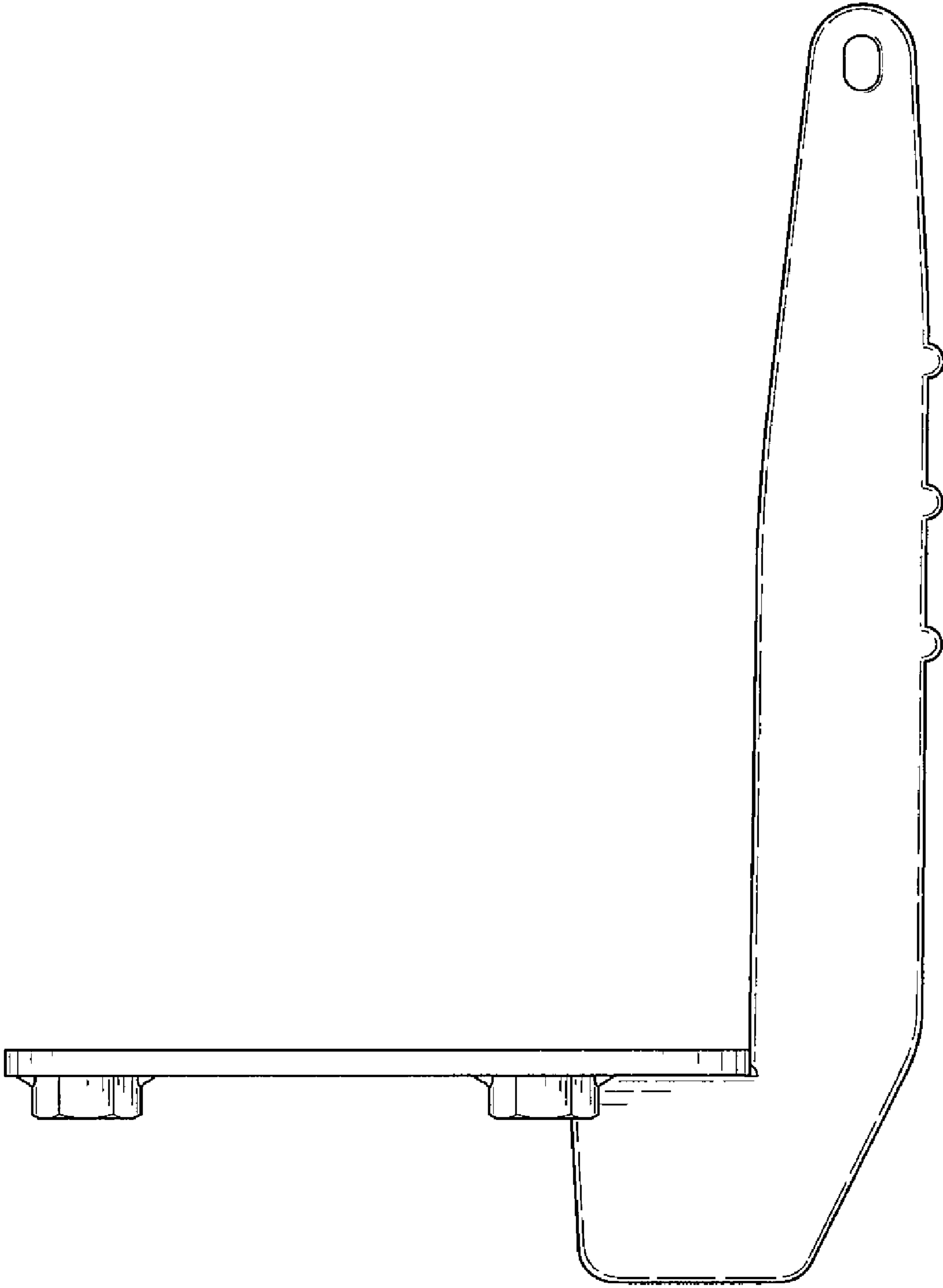


FIG. 6

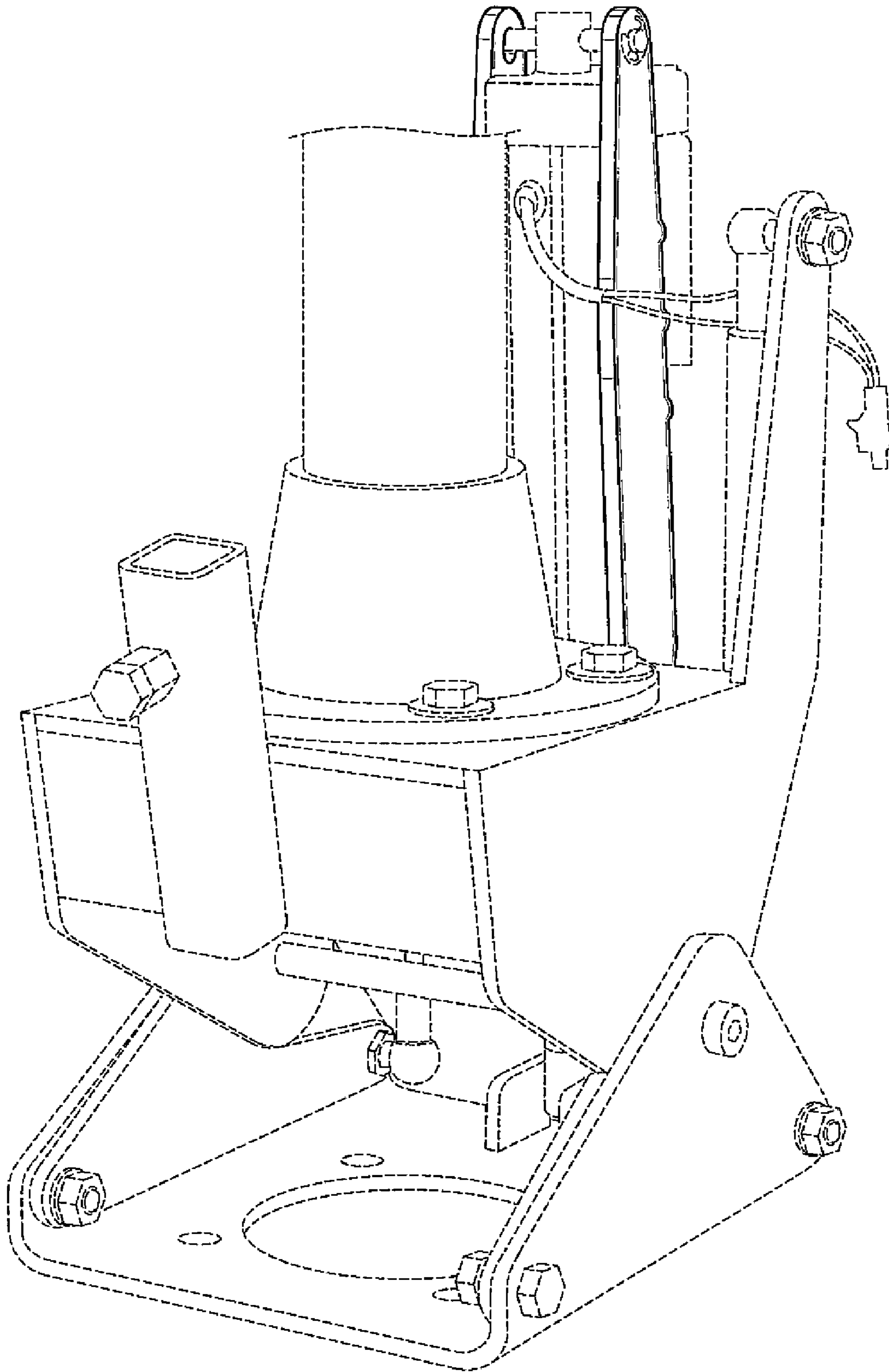


FIG. 7

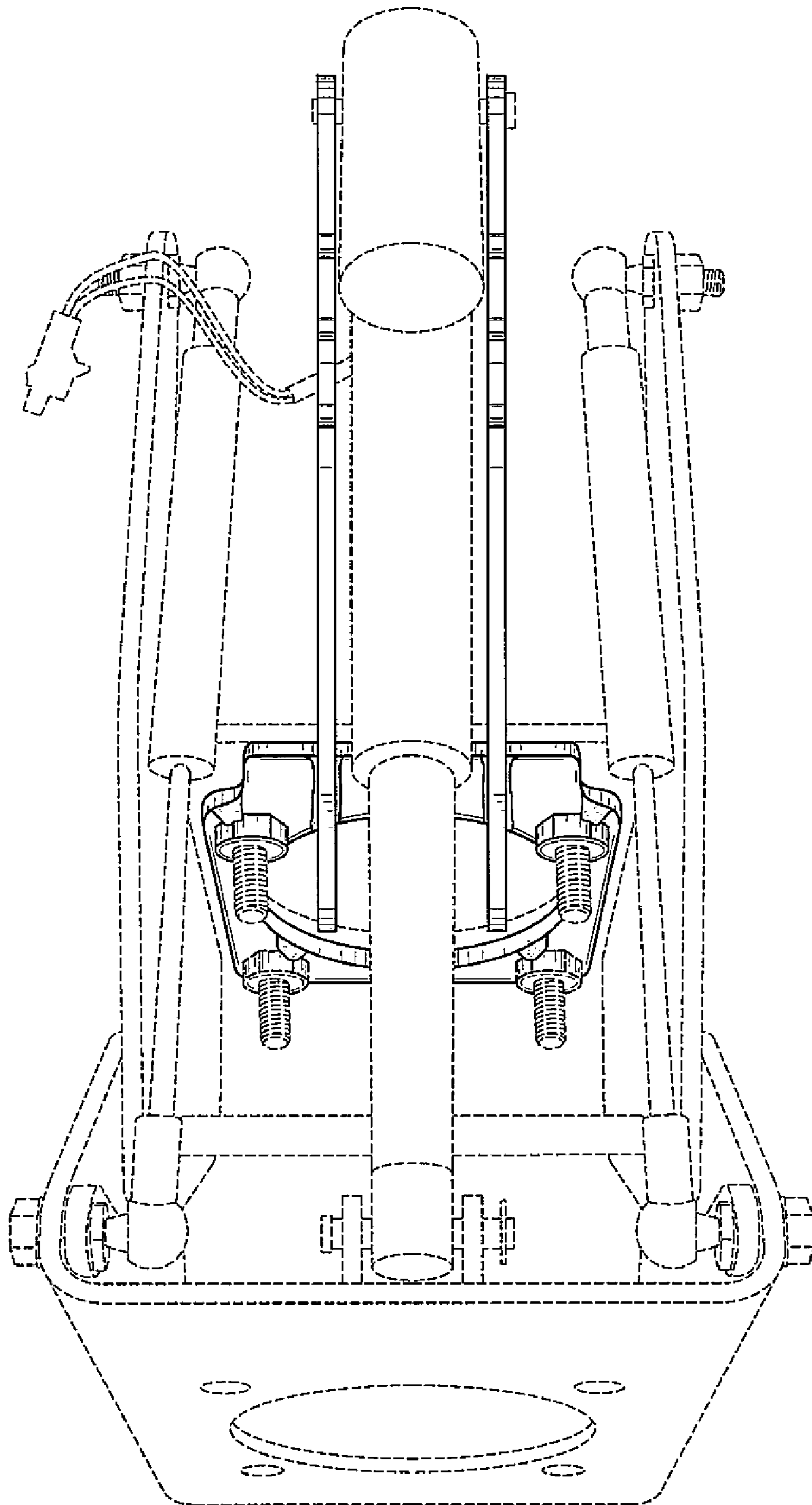


FIG. 8