



US00D611458S

(12) **United States Design Patent**
Li

(10) **Patent No.:** **US D611,458 S**
(45) **Date of Patent:** **** Mar. 9, 2010**

(54) **USB-BASED ARRAY MICROPHONE**

(75) Inventor: **Qi Li**, New Providence, NJ (US)

(73) Assignee: **LI Creative Technologies, Inc.**, Florham Park, NJ (US)

(**) Term: **14 Years**

(21) Appl. No.: **29/338,237**

(22) Filed: **Jun. 8, 2009**

(51) **LOC (9) Cl.** **14-01**

(52) **U.S. Cl.** **D14/225**

(58) **Field of Classification Search** D14/138 AD,
D14/138 AB, 159, 191, 168, 225, 226, 240,
D14/426, 496; D13/168; 455/575.1; 379/433.01,
379/433.02, 433.11, 428.01; 381/91, 122
See application file for complete search history.

(56) **References Cited**

U.S. PATENT DOCUMENTS

D278,333	S	*	4/1985	Takata	D14/225
D310,082	S	*	8/1990	Kehl et al.	D14/227
D351,391	S	*	10/1994	Martin	D14/225
D352,039	S	*	11/1994	Yurkonis et al.	D14/225
D352,946	S	*	11/1994	Nensel et al.	D14/225
D392,643	S	*	3/1998	Hartman	D14/226
D404,736	S	*	1/1999	Alvarez et al.	D14/229
D496,030	S	*	9/2004	Harbeke	D14/225
D496,653	S	*	9/2004	Townsend et al.	D14/240
D506,209	S	*	6/2005	Leong	D14/203.5
D507,261	S	*	7/2005	Griffin	D14/226
D511,770	S	*	11/2005	Chung	D14/240
D518,478	S	*	4/2006	Song	D14/225
D552,603	S	*	10/2007	Tierney	D14/226
D554,616	S	*	11/2007	Pierce	D14/191

D557,674	S	*	12/2007	Lee et al.	D14/138 AB
D558,726	S	*	1/2008	Wang et al.	D14/138 AD
D558,742	S	*	1/2008	Koller et al.	D14/225
D558,782	S	*	1/2008	Deguchi	D14/496
D560,230	S	*	1/2008	Yagi	D14/496
D567,808	S	*	4/2008	Kanne et al.	D14/240

* cited by examiner

Primary Examiner—Paula Greene

(74) *Attorney, Agent, or Firm*—Kenyon & Kenyon LLP

(57) **CLAIM**

The ornamental design for a USB - based array microphone, as shown and described.

DESCRIPTION

FIG. 1 is a front view of a USB-based array microphone showing my new design;

FIG. 2 is a rear view of the USB-based array microphone of FIG. 1, the portion behind the clip is plane and unornamented;

FIG. 3 is a top view of the USB-based array microphone of FIG. 1;

FIG. 4 is a bottom view of the USB-based array microphone of FIG. 1;

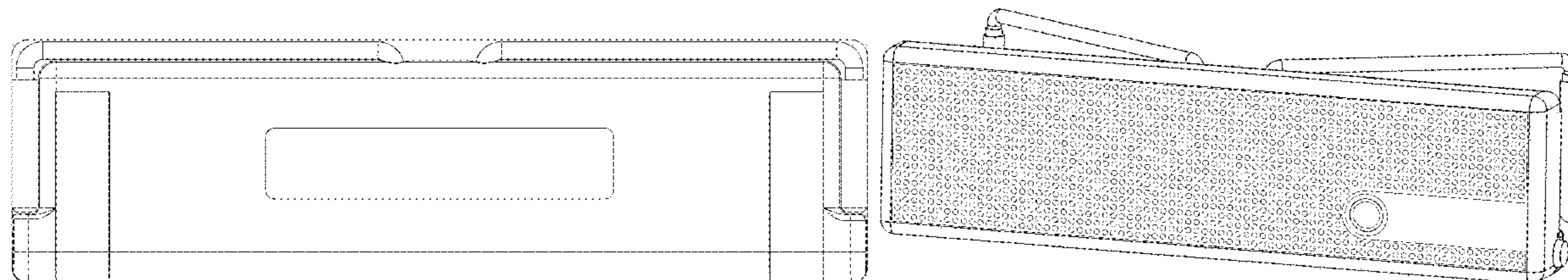
FIG. 5 is a left side view of the USB-based array microphone of FIG. 1;

FIG. 6 is a right side view of the USB-based array microphone of FIG. 1;

FIG. 7 is a top perspective view of the USB-based array microphone of FIG. 1 with closed clip; and,

FIG. 8 is a top perspective view of the USB-based array microphone of FIG. 1 with open clip.

1 Claim, 8 Drawing Sheets



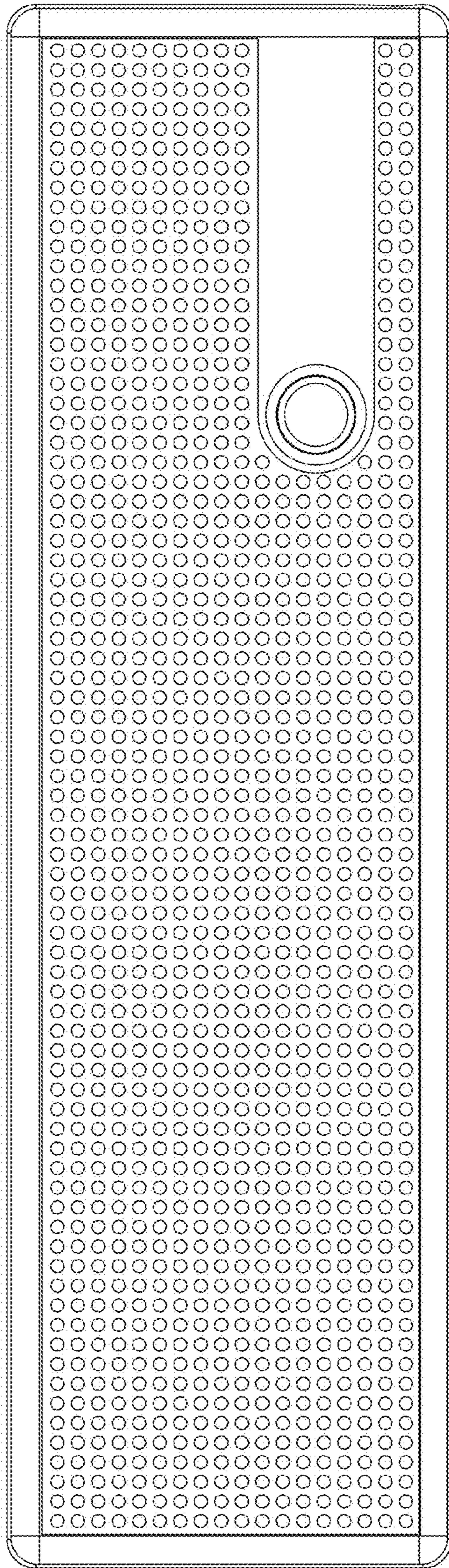


FIG 1

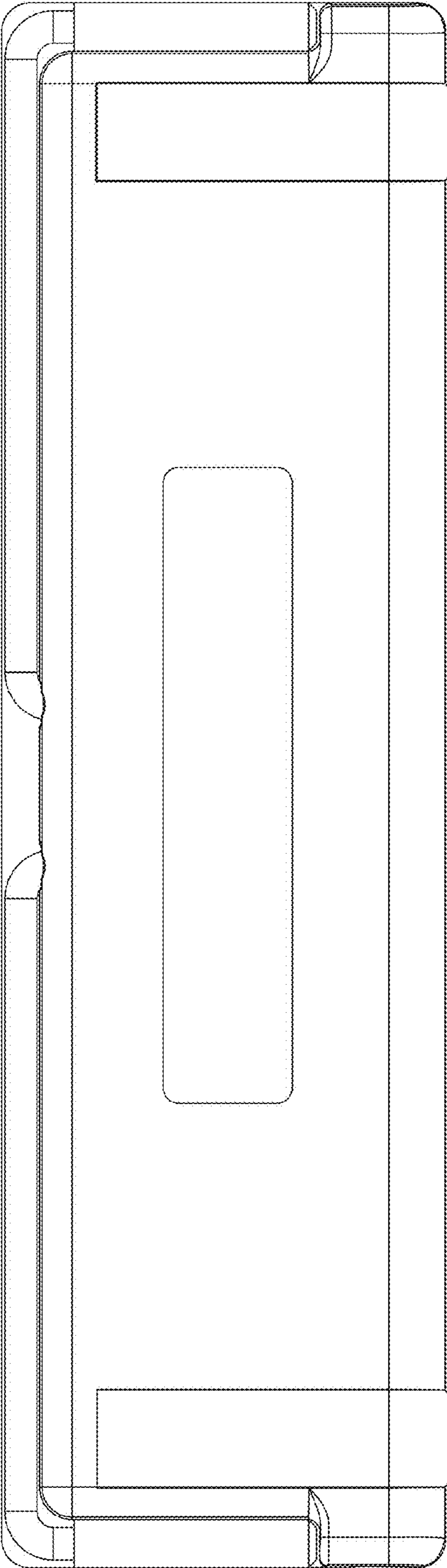


FIG 2

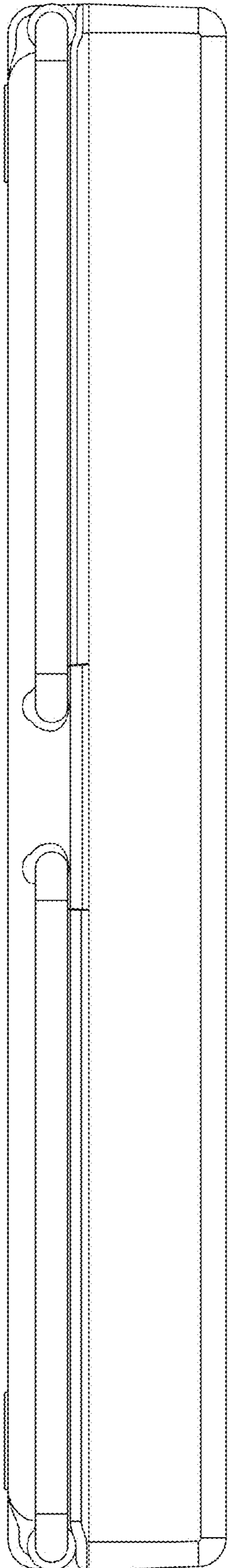


FIG 3

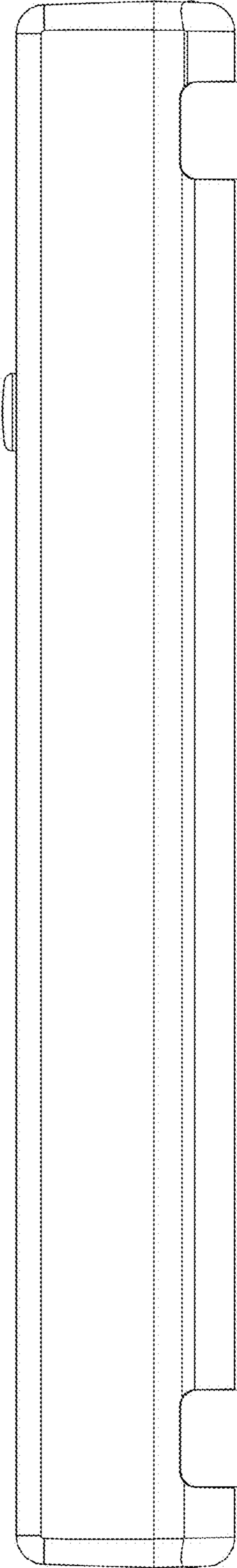


FIG4

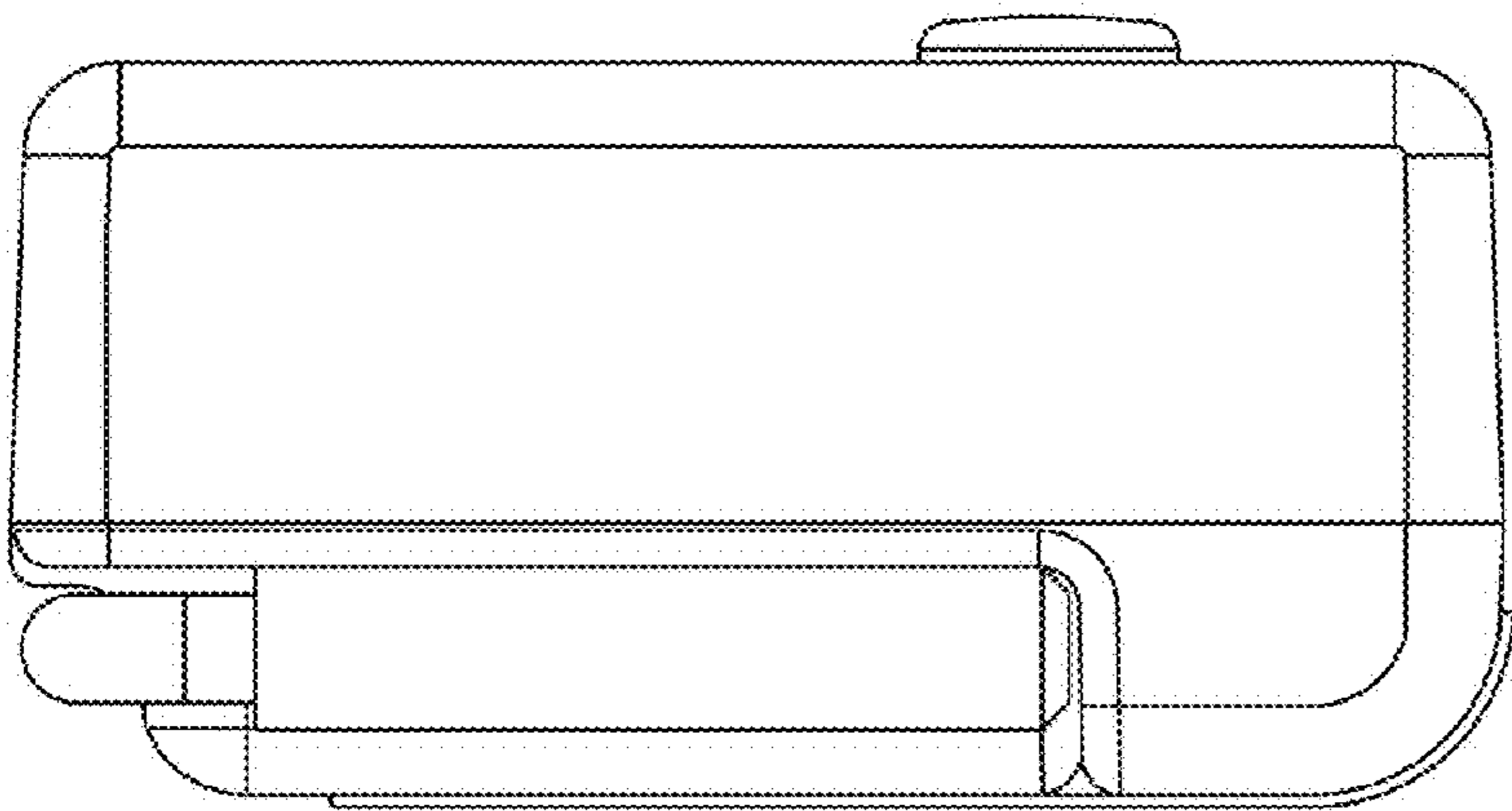


FIG 5

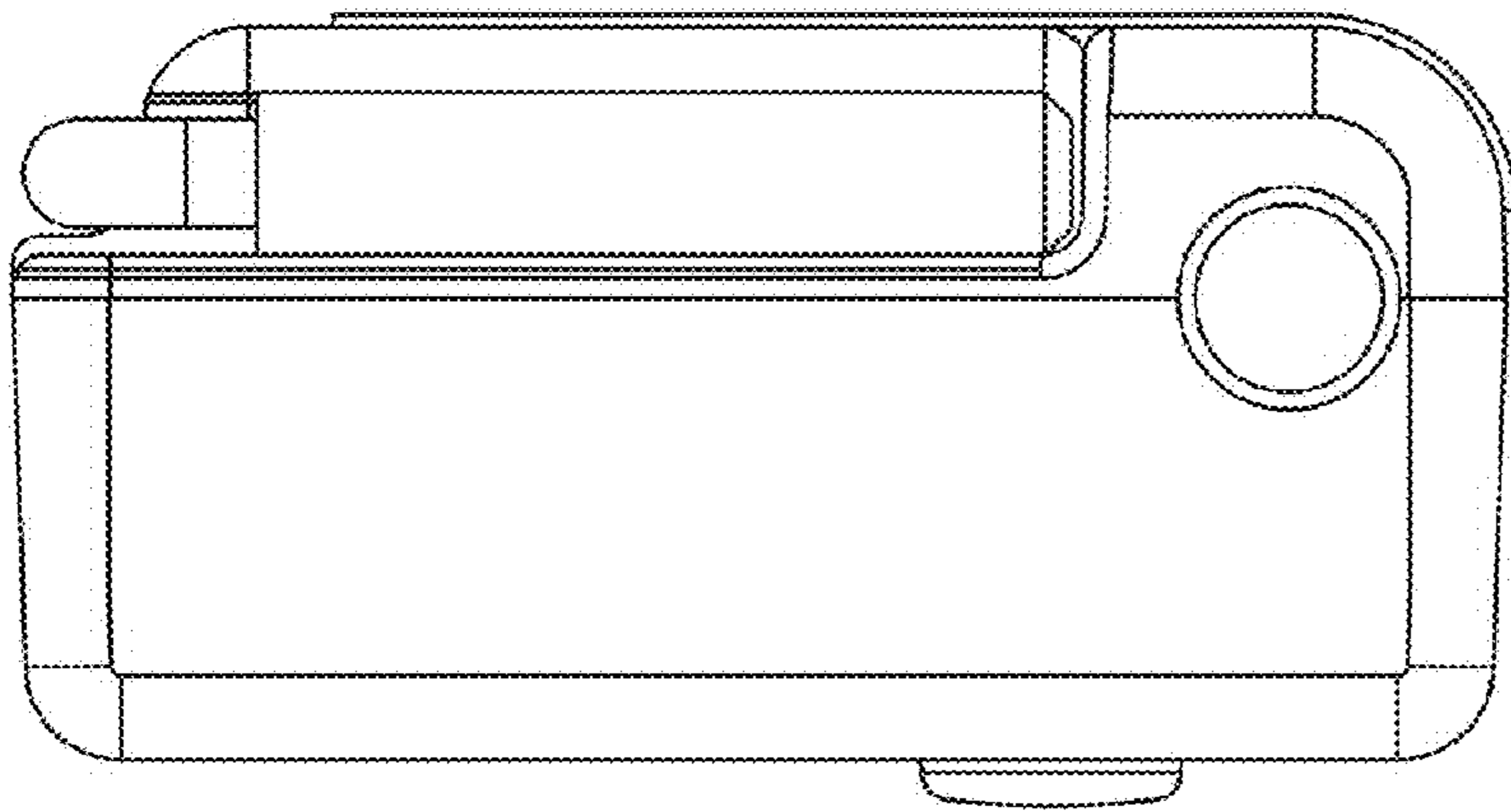


FIG 6

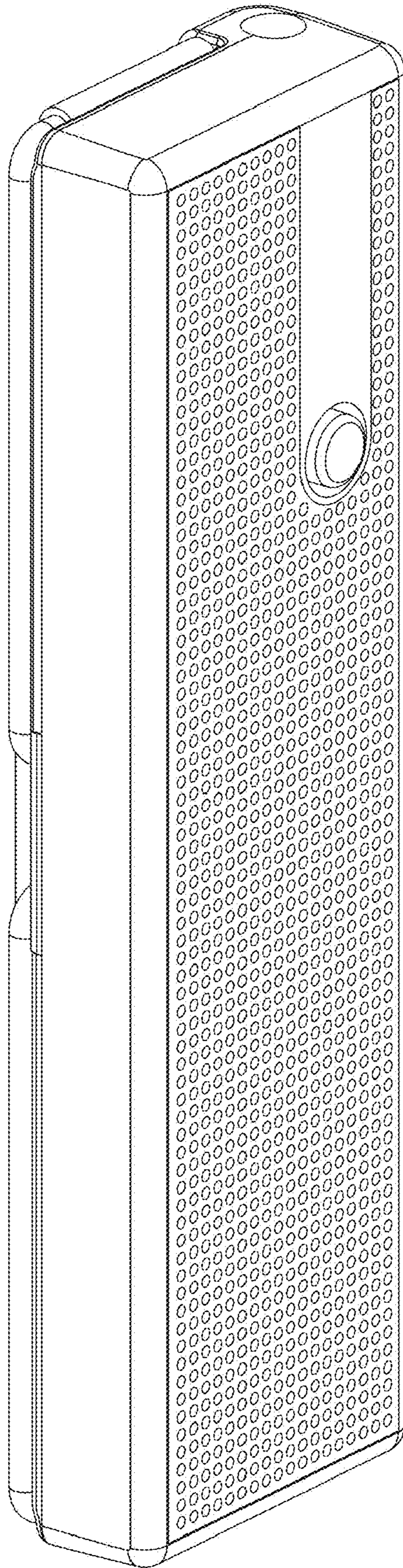


FIG 7

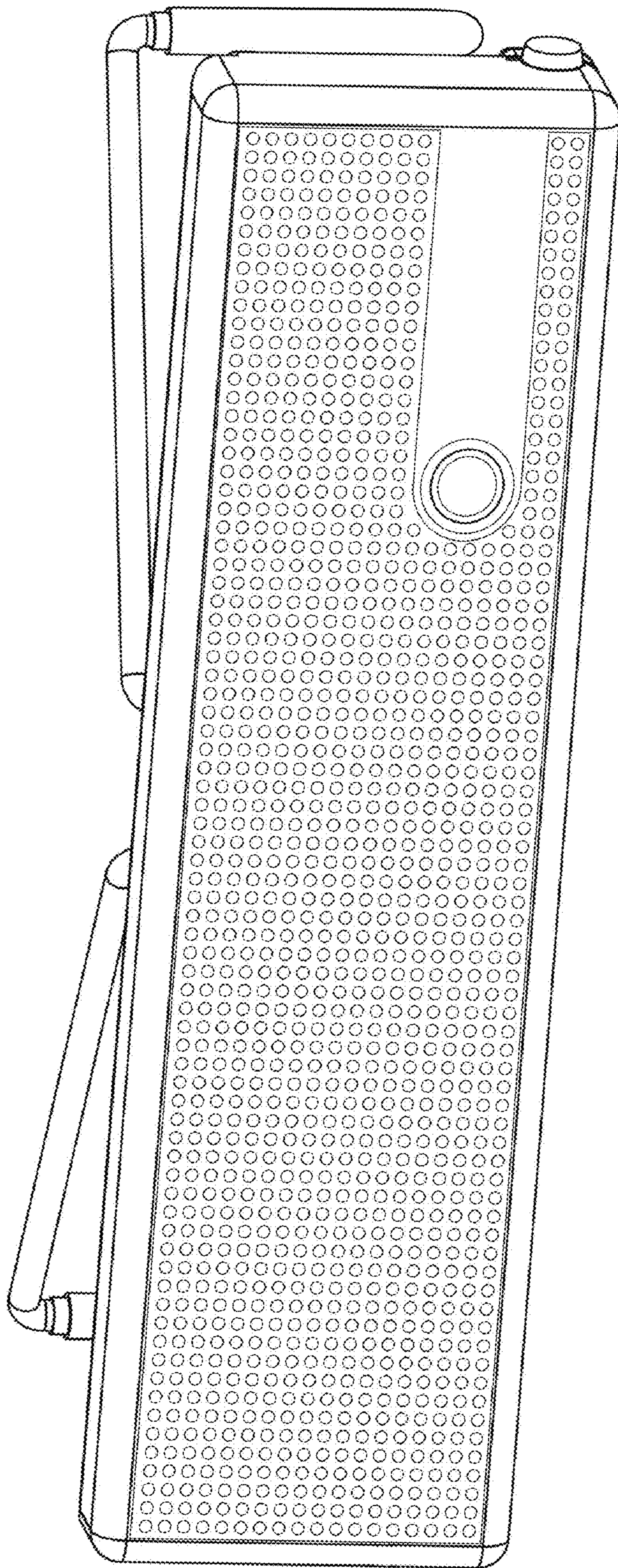


FIG 8