



US00D611454S

(12) **United States Design Patent**  
**Wang et al.**

(10) **Patent No.:** **US D611,454 S**  
(45) **Date of Patent:** **\*\* Mar. 9, 2010**

(54) **SPEAKER**

D491,918 S \* 6/2004 Solland ..... D14/207  
D550,203 S \* 9/2007 Thomas ..... D14/212

(75) Inventors: **Bowman Wang**, Ben Lomond, CA (US);  
**Minsung Kwon**, San Jose, CA (US)

\* cited by examiner

(73) Assignee: **Altec Lansing, LLC**, Milford, PA (US)

*Primary Examiner*—Nanda Bondade  
(74) *Attorney, Agent, or Firm*—Greenberg Traurig LLP

(\*\*) Term: **14 Years**

(57) **CLAIM**

(21) Appl. No.: **29/337,094**

The ornamental design for a speaker, as shown and described.

(22) Filed: **May 14, 2009**

**DESCRIPTION**

(51) **LOC (9) Cl.** ..... **14-01**

(52) **U.S. Cl.** ..... **D14/214**

(58) **Field of Classification Search** ..... D14/204,  
D14/207, 210–216, 172; 181/143–144, 147–148,  
181/150–153, 157, 198–199; 381/300–303,  
381/306, 332–333, 336, 345, 361–364, 386–388  
See application file for complete search history.

FIG. 1 is front-top-right perspective view of a speaker showing our new design;  
FIG. 2 is a front view thereof;  
FIG. 3 is a back view thereof;  
FIG. 4 is a right side view thereof;  
FIG. 5 is a left side view thereof;  
FIG. 6 is a top view thereof; and,  
FIG. 7 is a bottom view thereof.

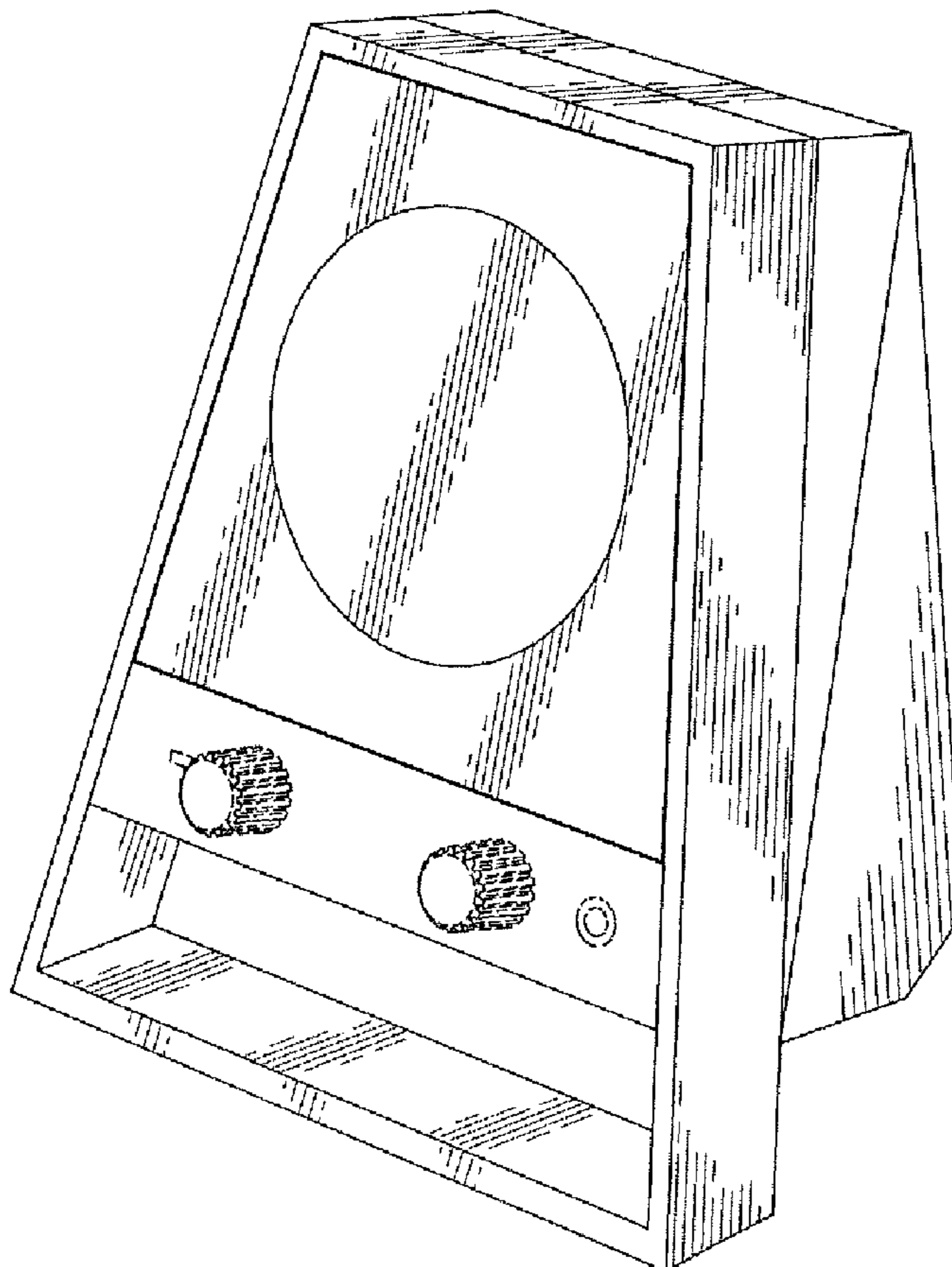
(56) **References Cited**

**U.S. PATENT DOCUMENTS**

D280,984 S \* 10/1985 Tricker ..... D14/214  
4,924,964 A \* 5/1990 Olsen ..... 181/151  
D358,392 S \* 5/1995 Yamazaki ..... D14/213

The broken lines showing of the unclaimed environment forms no part of the claimed design.

**1 Claim, 4 Drawing Sheets**



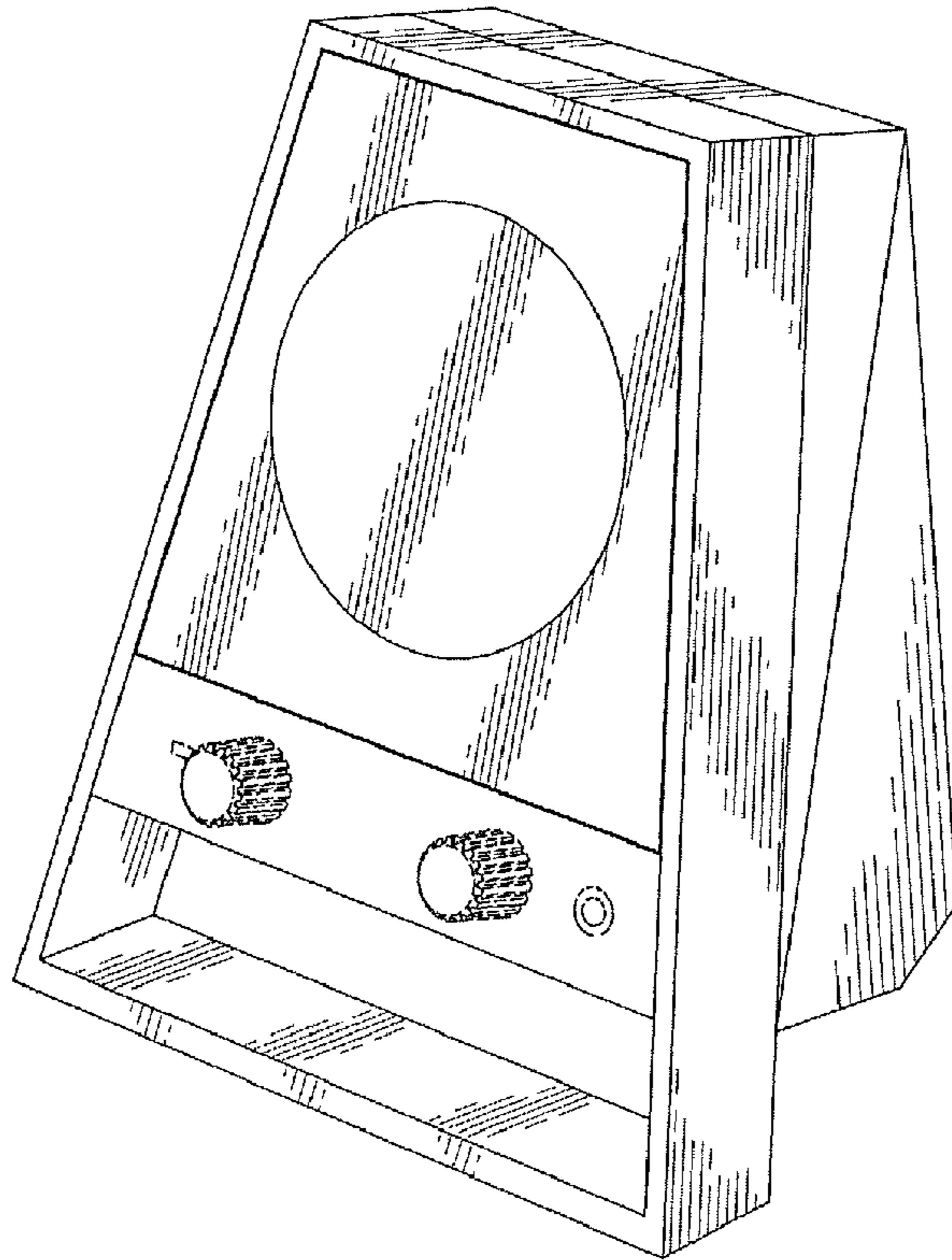


FIG. 1

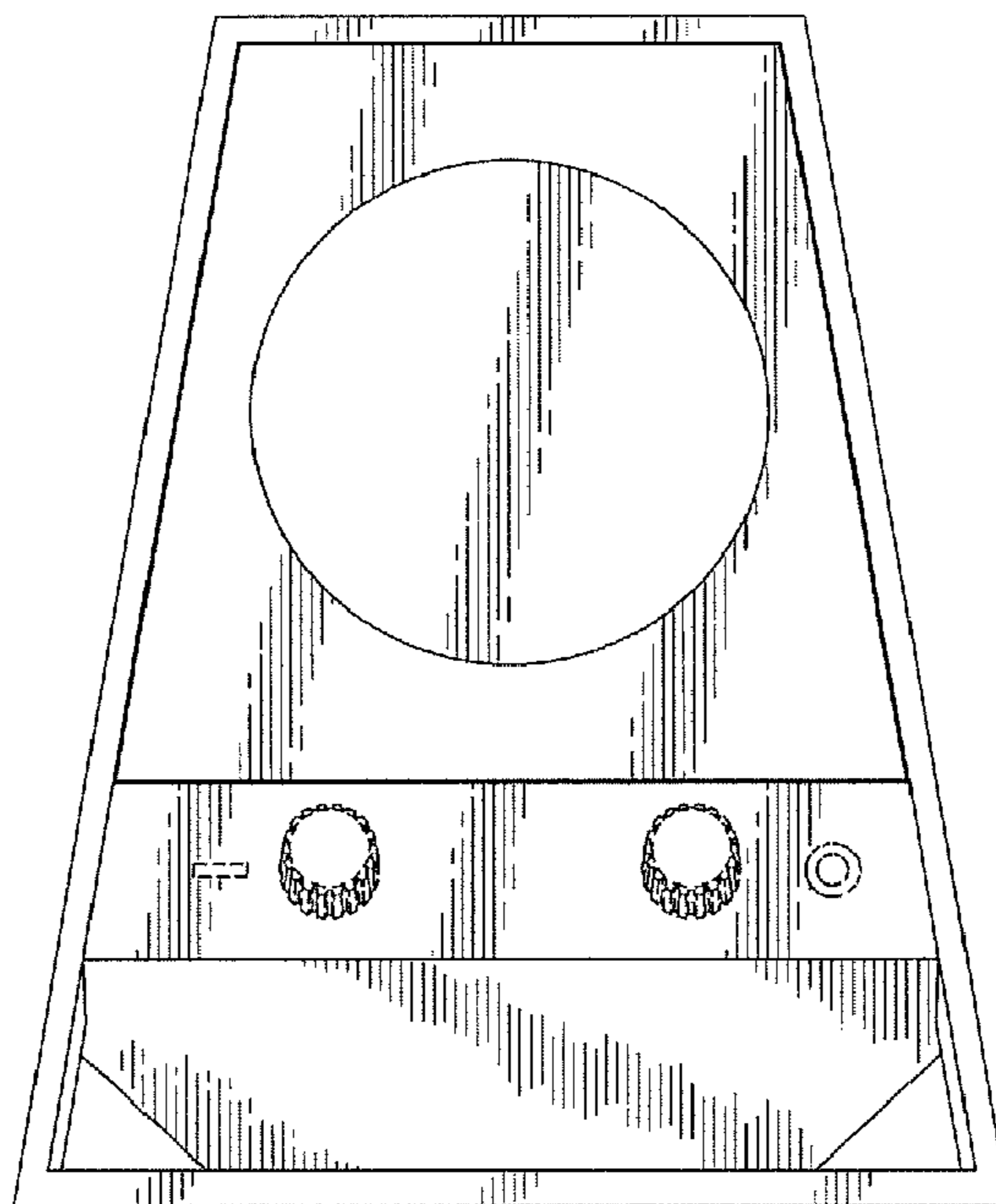
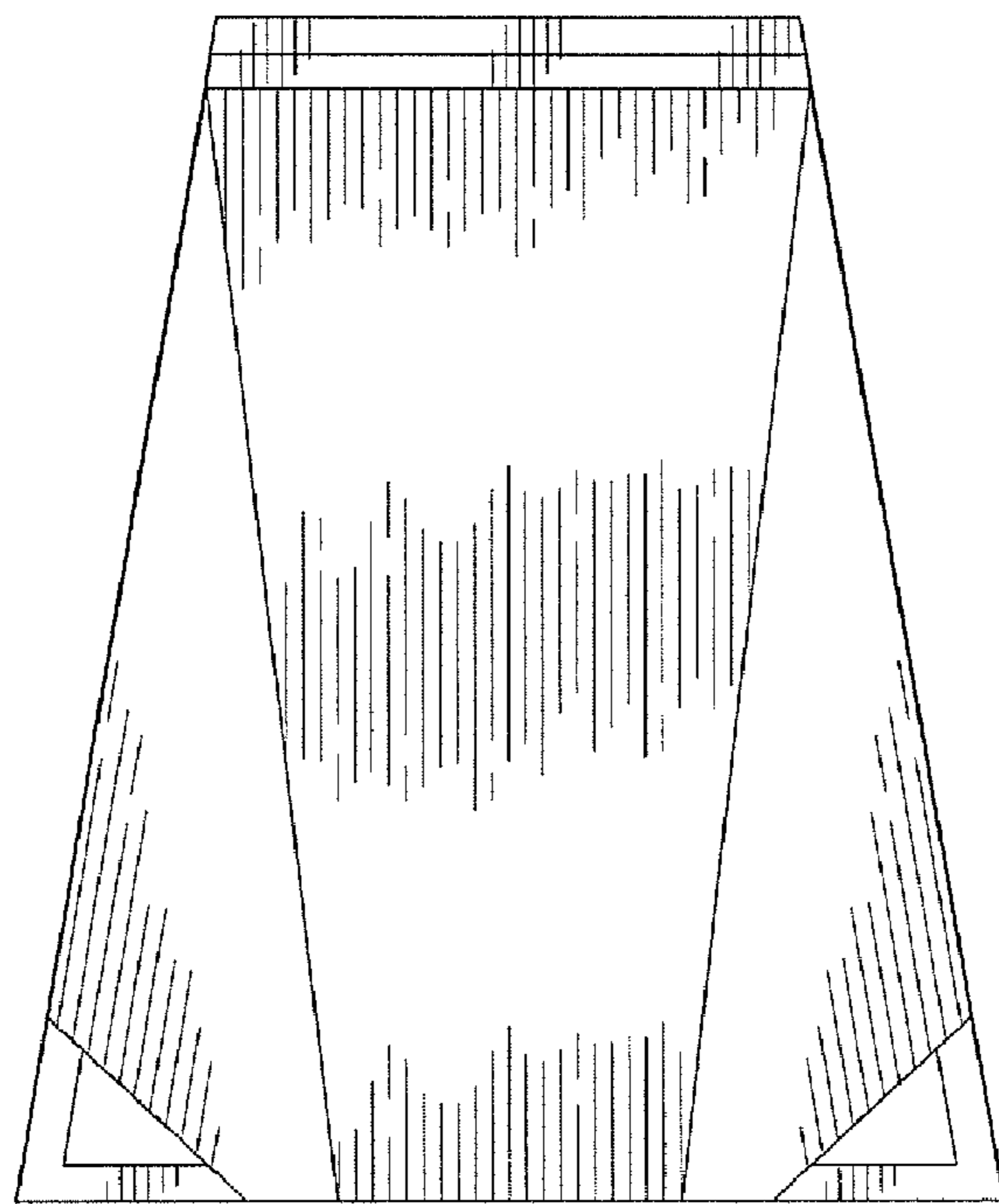
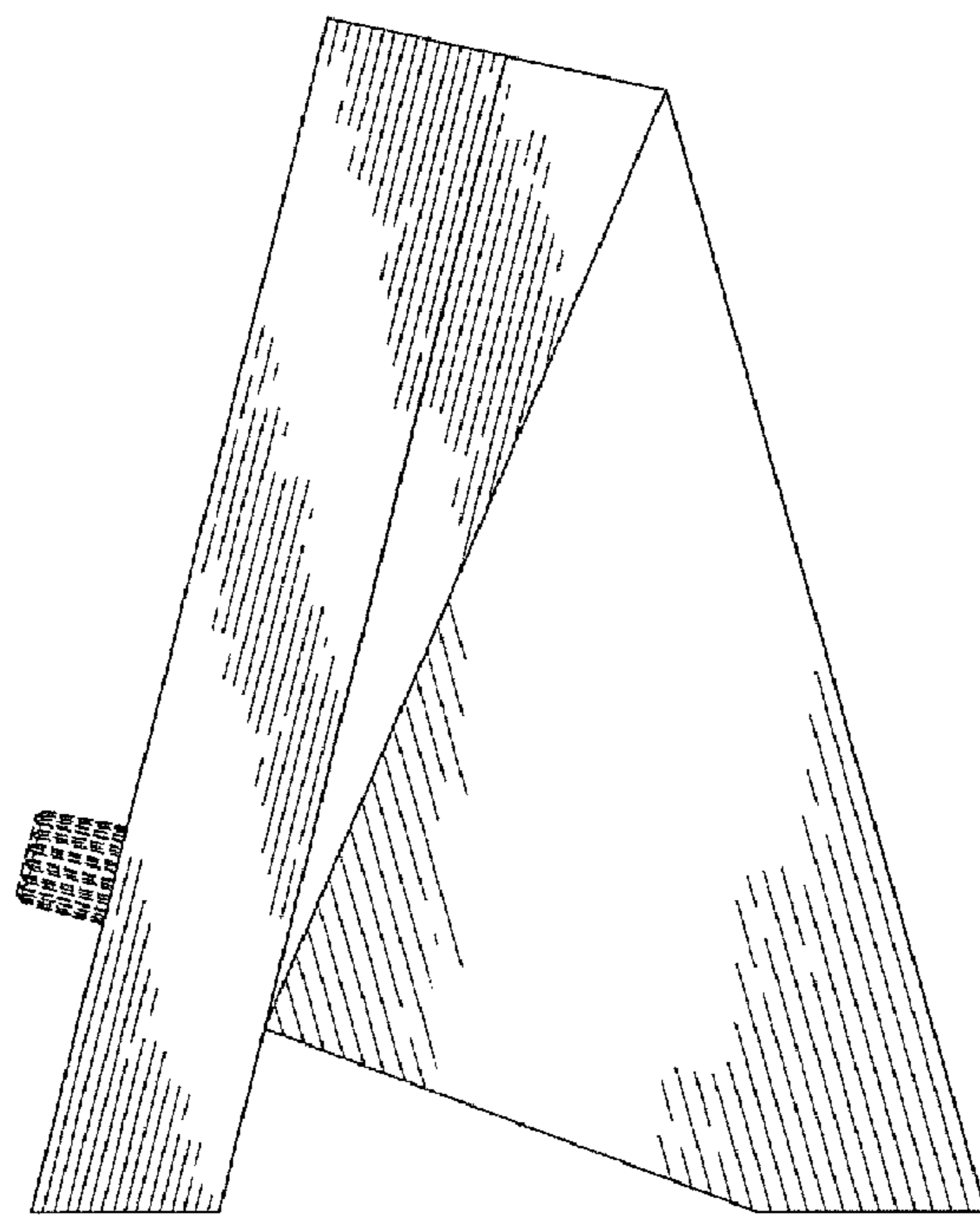


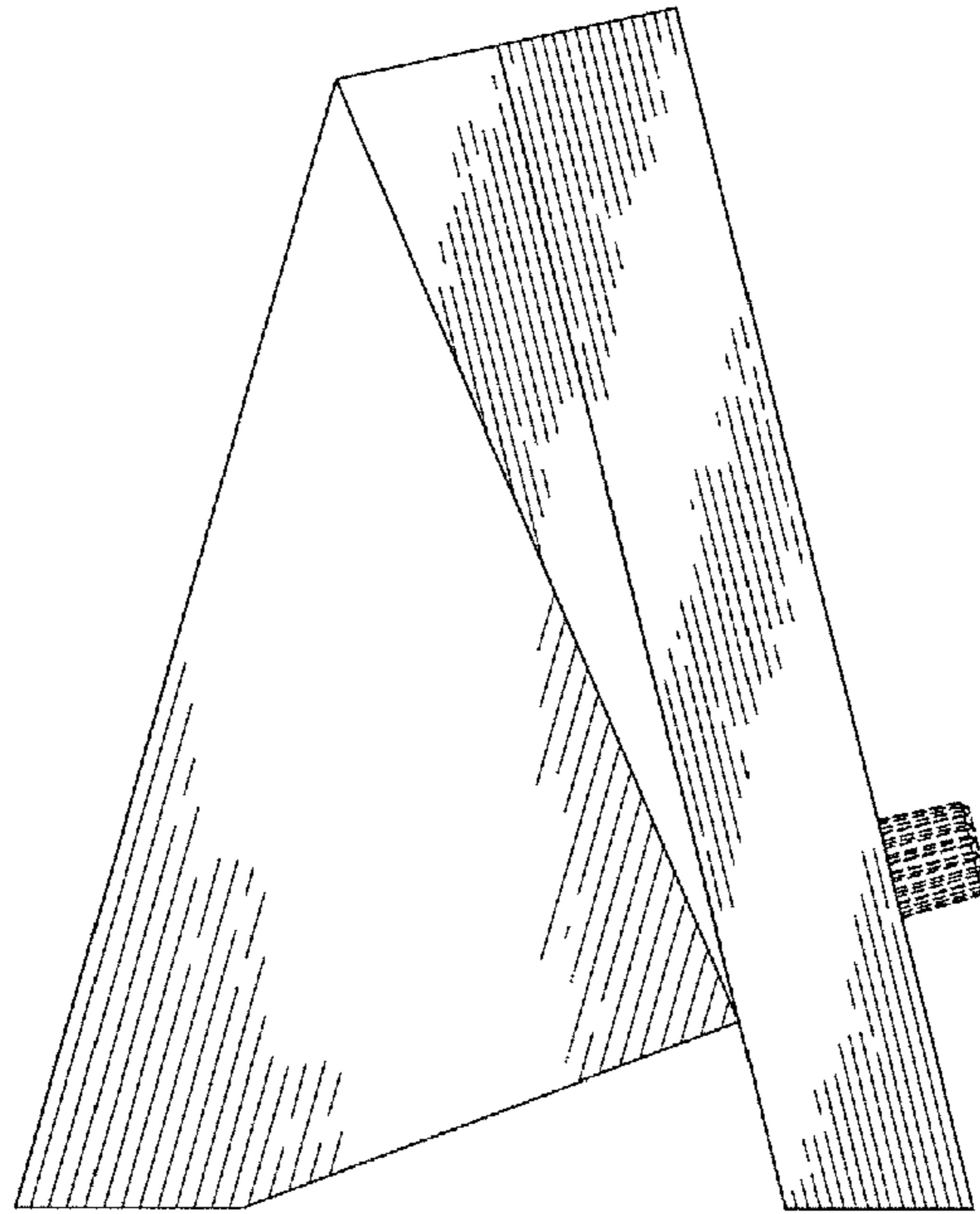
FIG. 2



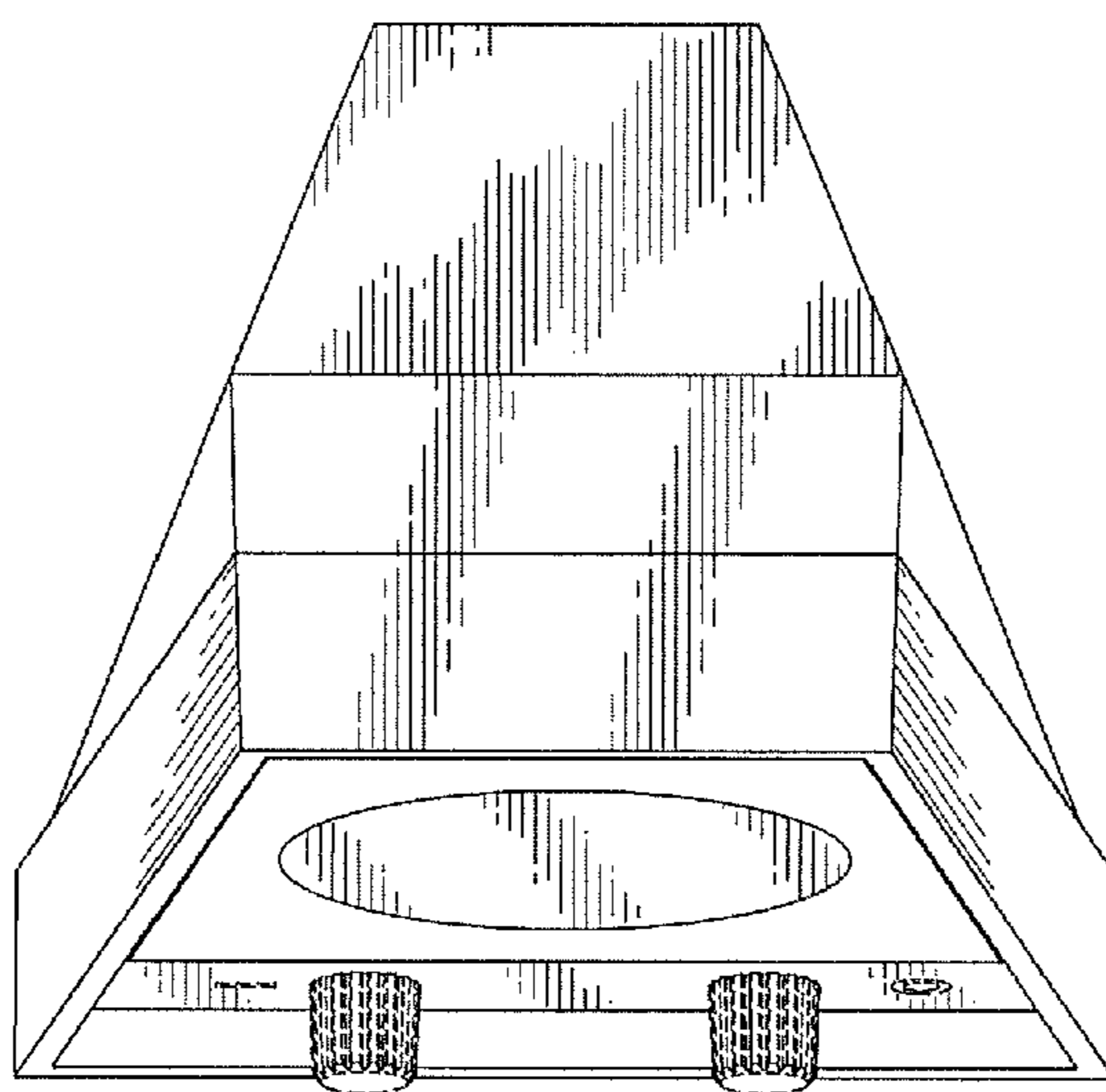
**FIG. 3**



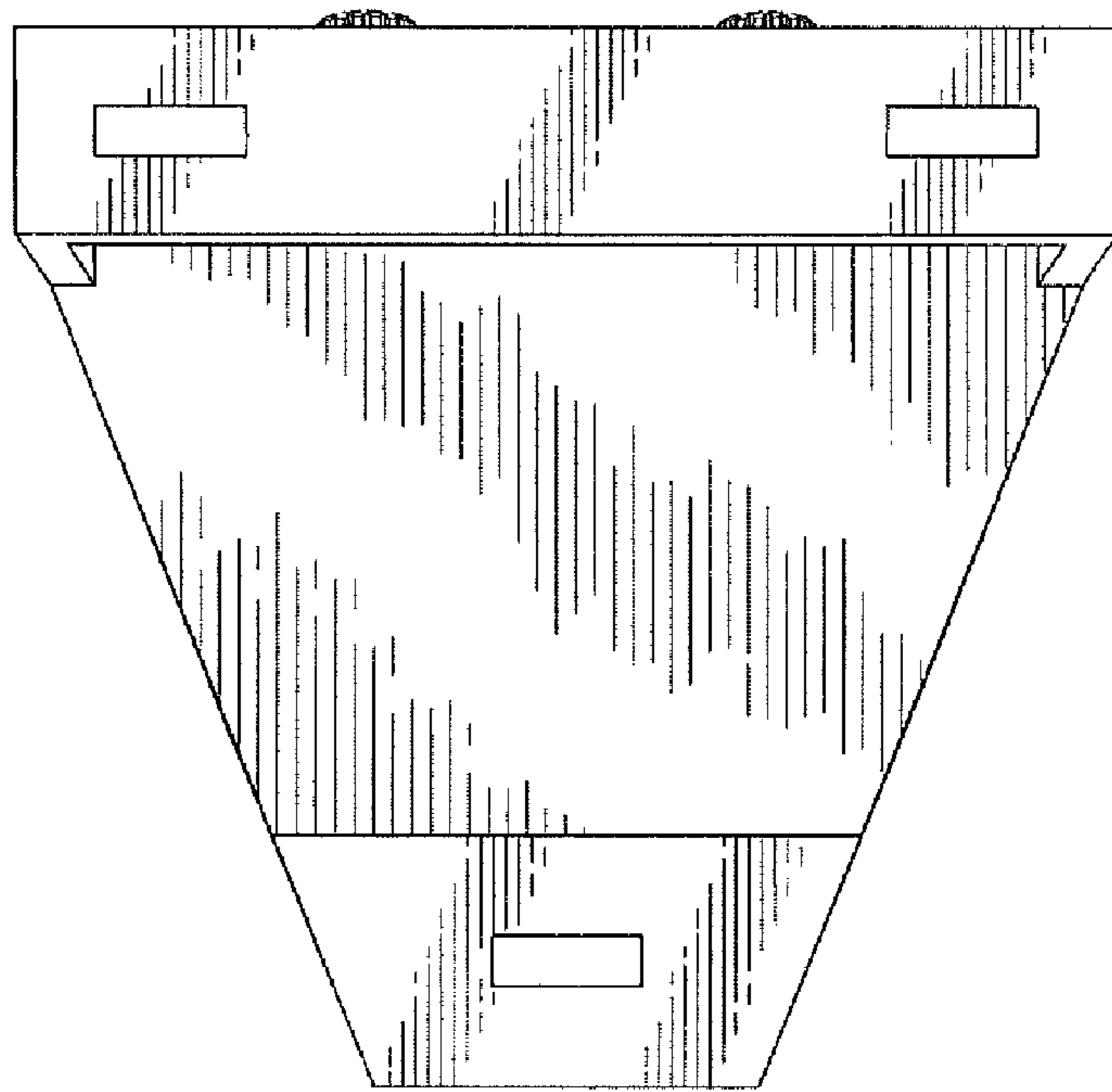
**FIG. 4**



**FIG. 5**



**FIG. 6**



**FIG. 7**