



US00D611452S

(12) **United States Design Patent**  
**Warden et al.**

(10) **Patent No.:** **US D611,452 S**  
(45) **Date of Patent:** **\*\* Mar. 9, 2010**

(54) **DUAL CONFIGURATION SPEAKER**

(75) Inventors: **Robert A. Warden**, Southborough, MA (US); **Stuart Raymond Jang**, Waltham, MA (US)

(73) Assignee: **Bose Corporation**, Framingham, MA (US)

(\*\*) Term: **14 Years**

(21) Appl. No.: **29/336,659**

(22) Filed: **May 7, 2009**

**Related U.S. Application Data**

(62) Division of application No. 29/327,980, filed on Nov. 17, 2008, now Pat. No. Des. 596,157.

(51) **LOC (9) Cl.** ..... **14-01**

(52) **U.S. Cl.** ..... **D14/211; D14/214**

(58) **Field of Classification Search** ..... D14/204, D14/210-216, 172; 181/143-144, 147-148, 181/150-153, 157, 198-199; 381/300-303, 381/306, 332-333, 336, 345, 361-364, 386-388  
See application file for complete search history.

(56) **References Cited**

**U.S. PATENT DOCUMENTS**

D392,976 S \* 3/1998 Fenner et al. .... D14/214  
D431,815 S \* 10/2000 Masui ..... D14/214  
D478,565 S \* 8/2003 Oikawa ..... D14/211  
D480,069 S 9/2003 Carbone et al.  
D508,690 S \* 8/2005 Hioki ..... D14/214

D522,492 S 6/2006 Carbone  
D525,615 S \* 7/2006 Tanaka et al. .... D14/214  
D562,307 S 2/2008 Warden  
D575,271 S \* 8/2008 Baird et al. .... D14/214

**OTHER PUBLICATIONS**

Anchor Audio, Inc. Portable Sound Systems, Torrance, California, Brochure for Beacon Portable Array Sound System, 100-0149-000/4-11/06. 4 pages. Downloaded from <http://www.anchoaudio.com/pdf/BEACONmanual.pdf> on Nov. 14, 2008.

\* cited by examiner

*Primary Examiner*—Nanda Bondade

(57) **CLAIM**

The ornamental design for a dual configuration speaker, as shown and described.

**DESCRIPTION**

FIG. 1 is a perspective view of an embodiment of our new design as seen from the front, top, and left side of the dual configuration speaker.

FIG. 2 is a front view of the embodiment.

FIG. 3 is a left side view of the embodiment.

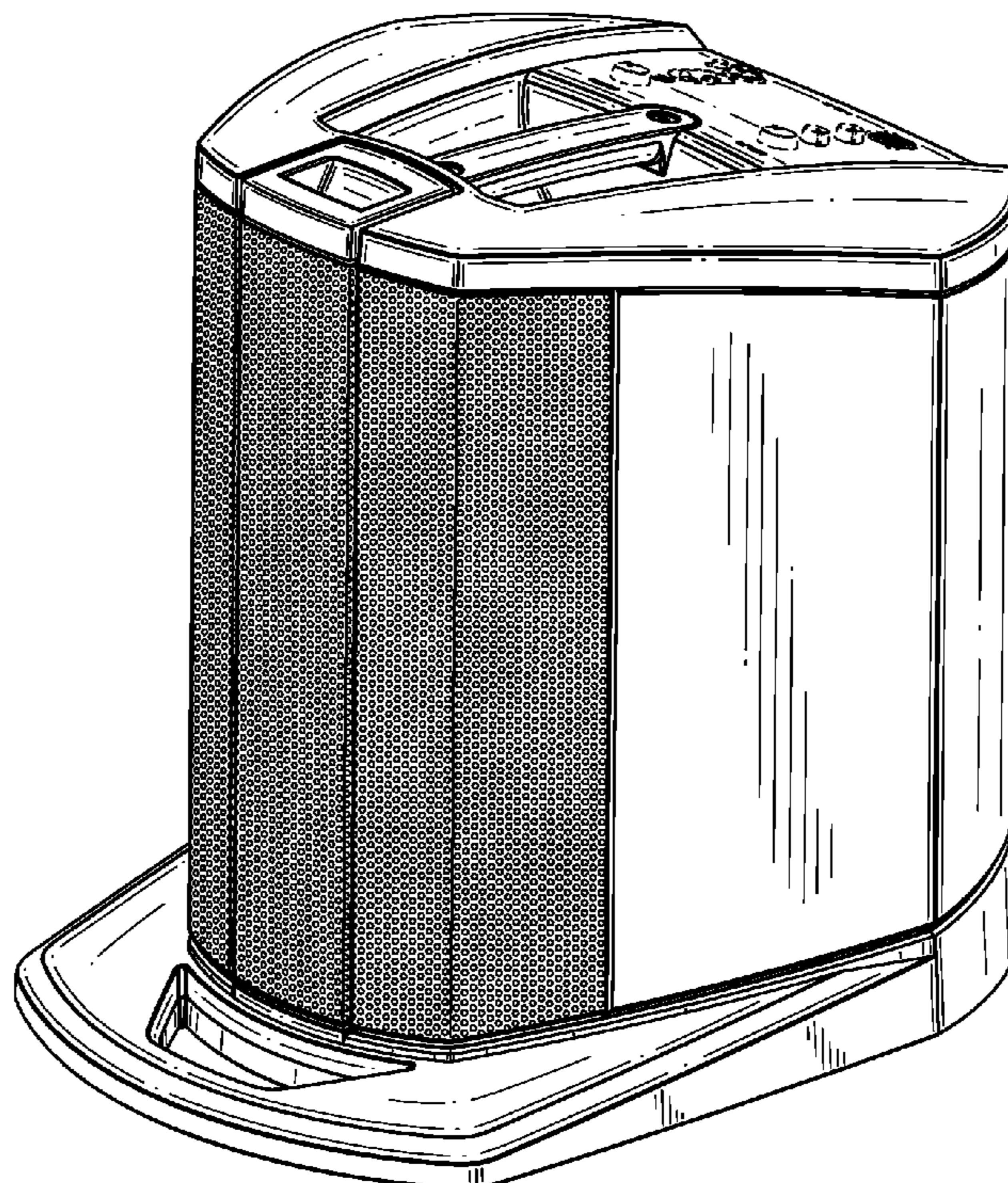
FIG. 4 is a rear view of the embodiment.

FIG. 5 is a top view of the embodiment; and,

FIG. 6 is a bottom view of the embodiment.

The broken lines shown in FIGS. 1, 2, 3, 4, 5 and 6 are for environmental purposes only and form no part of the claimed design.

**1 Claim, 6 Drawing Sheets**



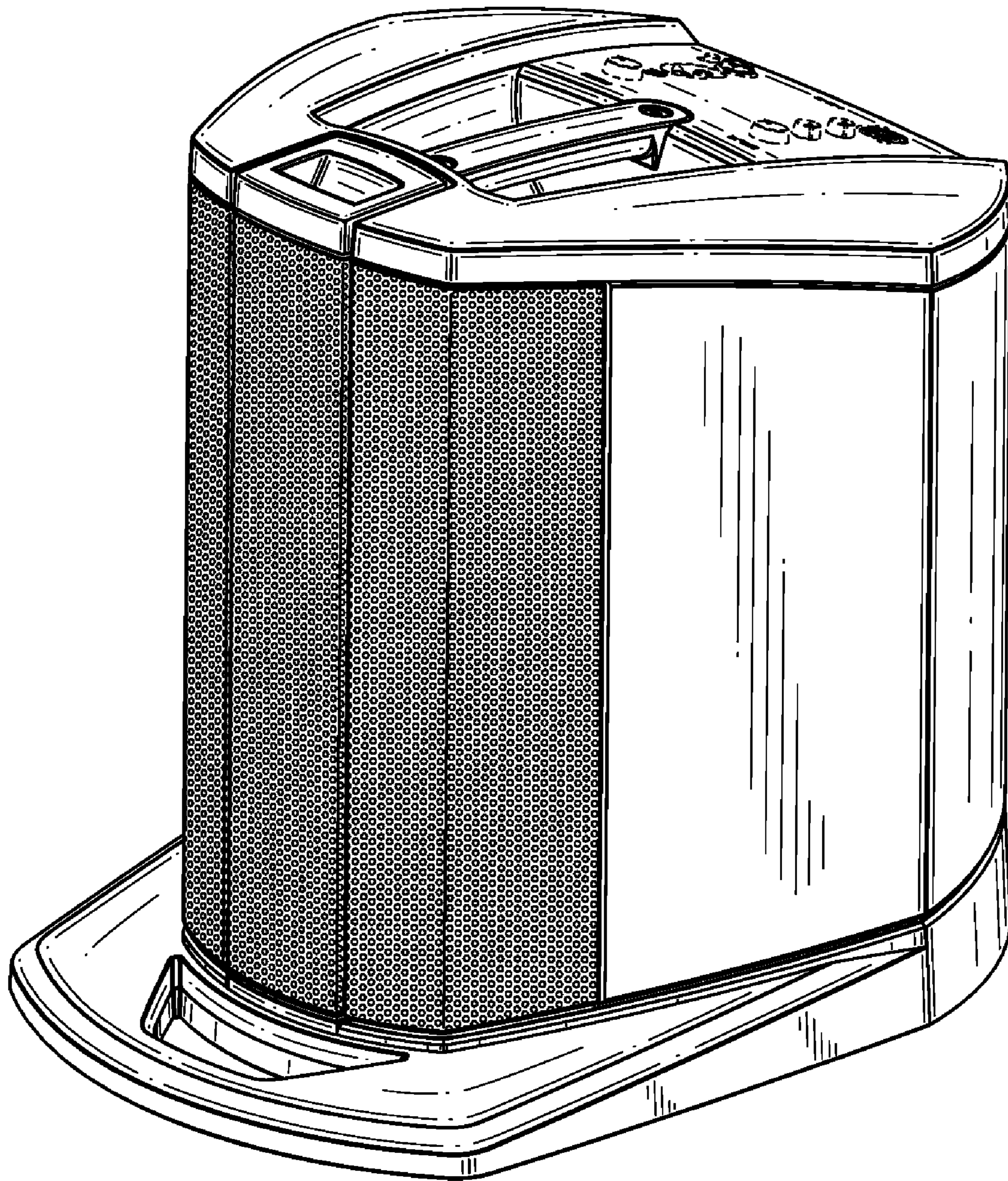


Fig. 1

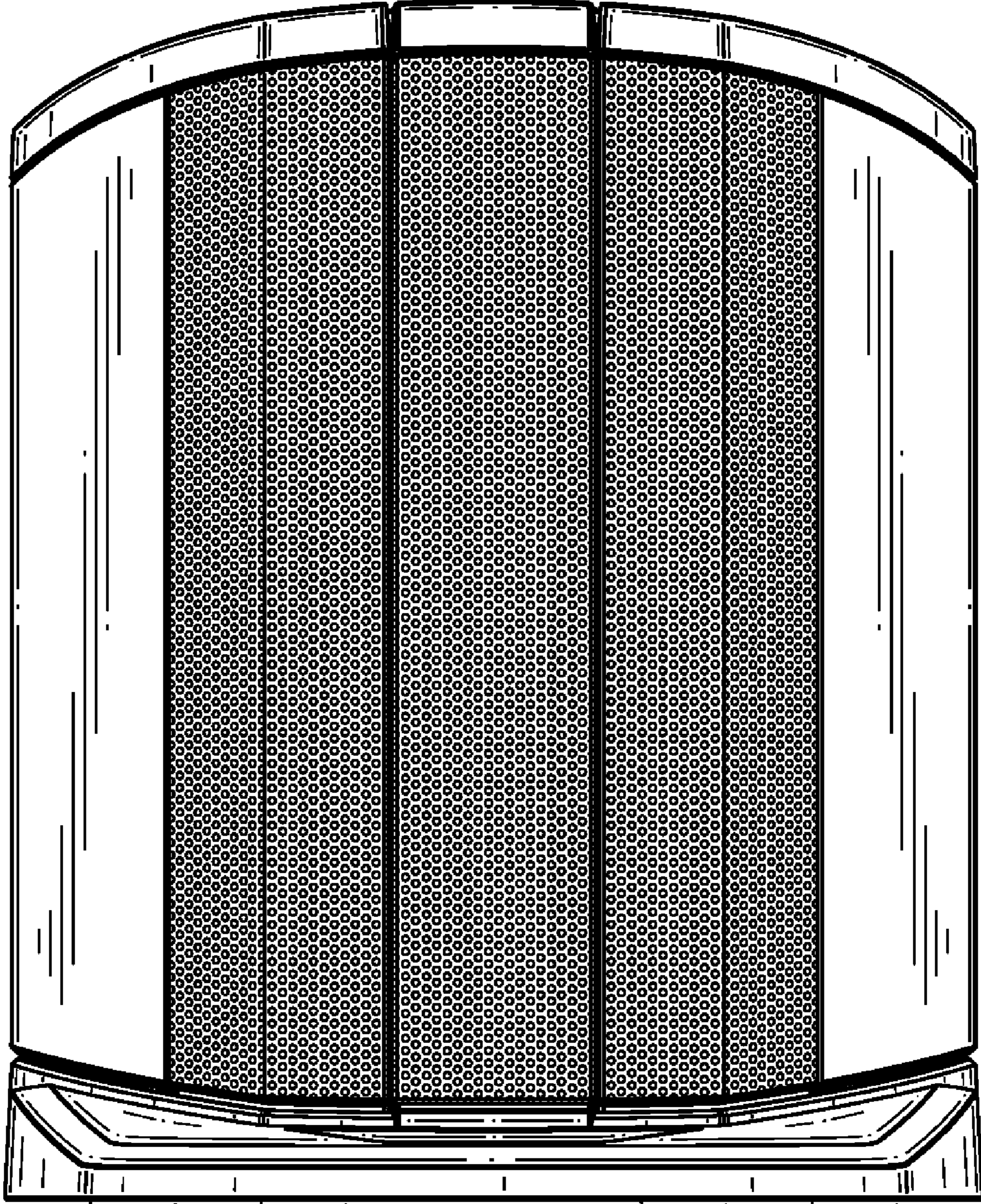


Fig. 2

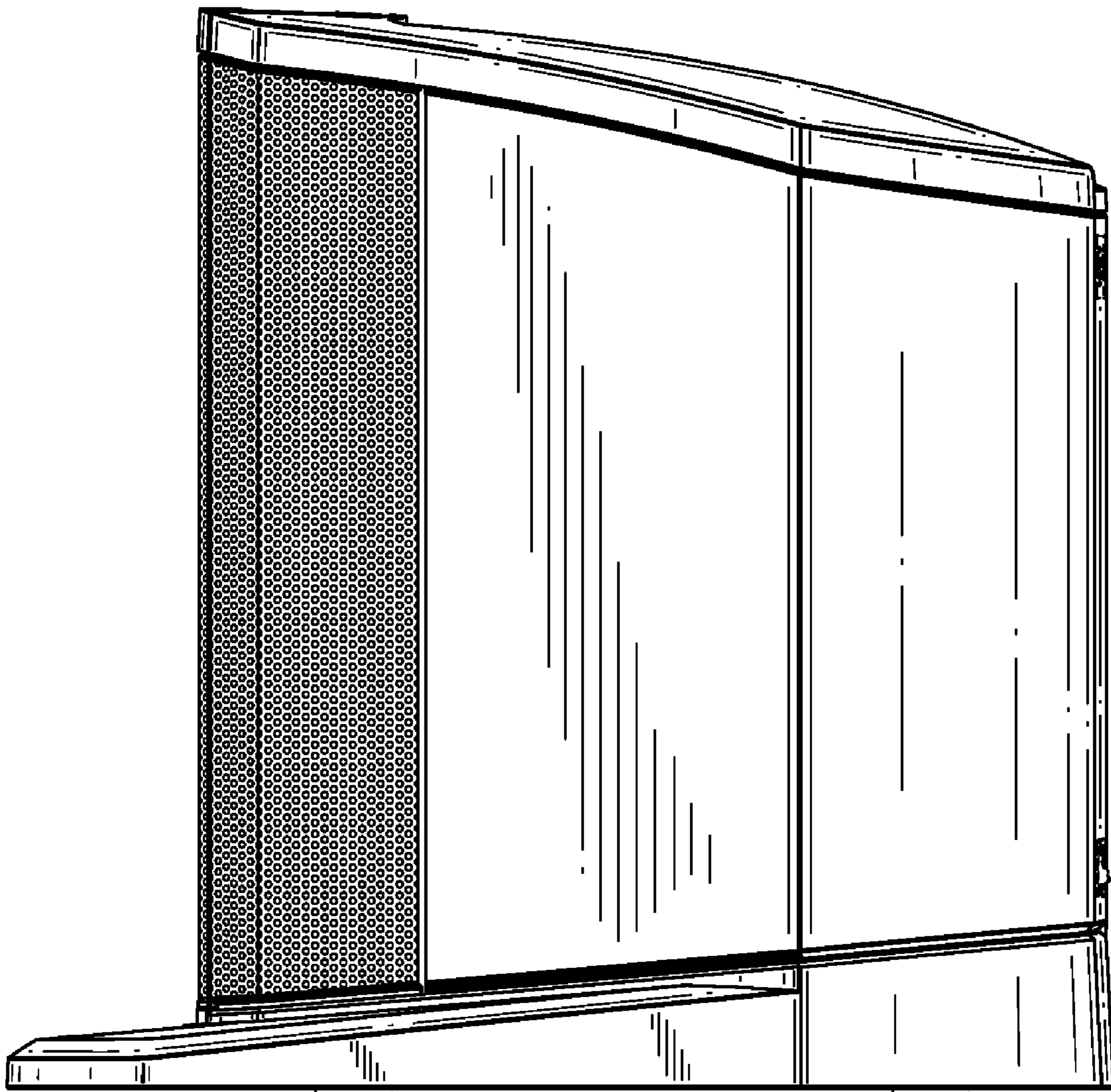


Fig. 3

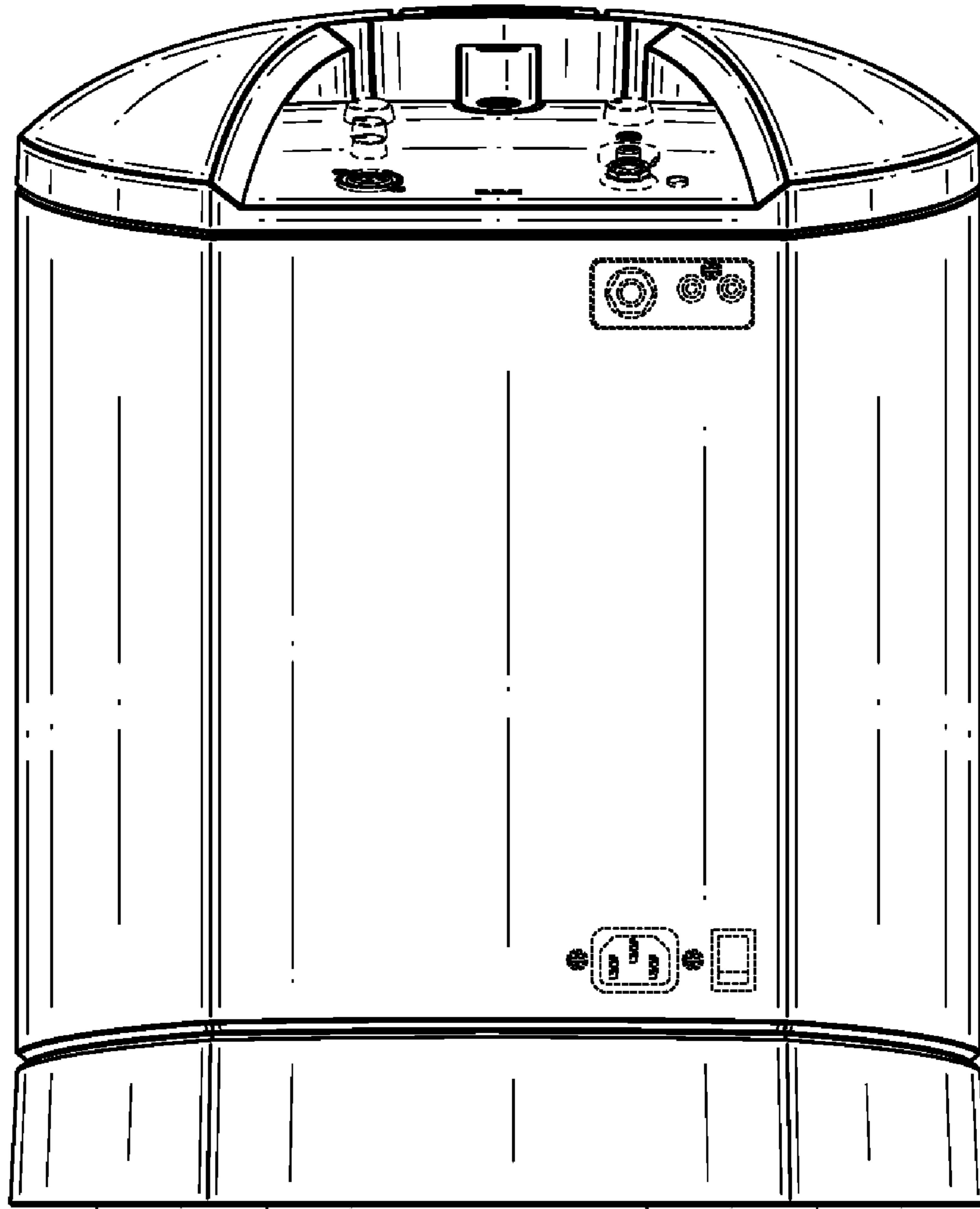


Fig. 4

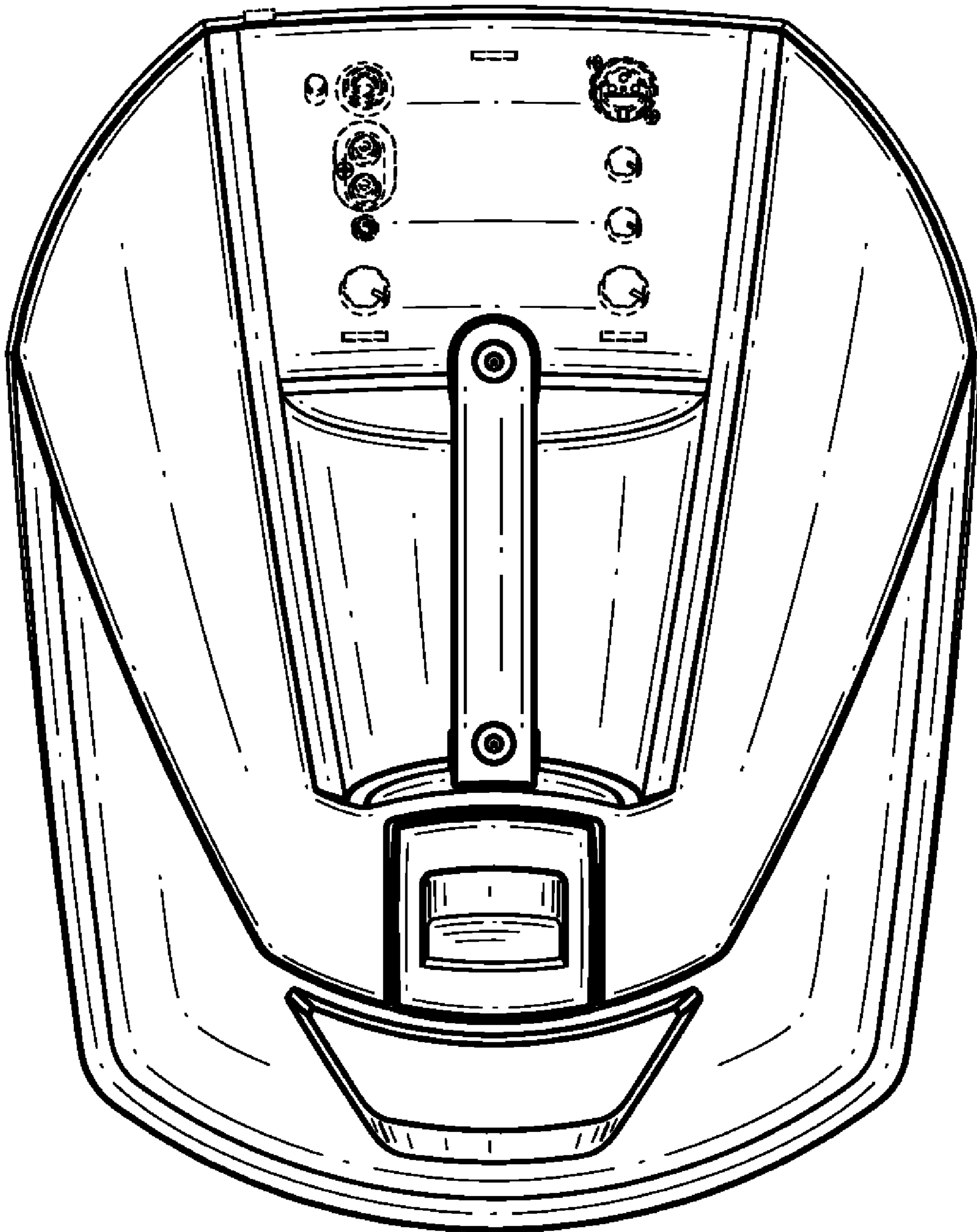


Fig. 5

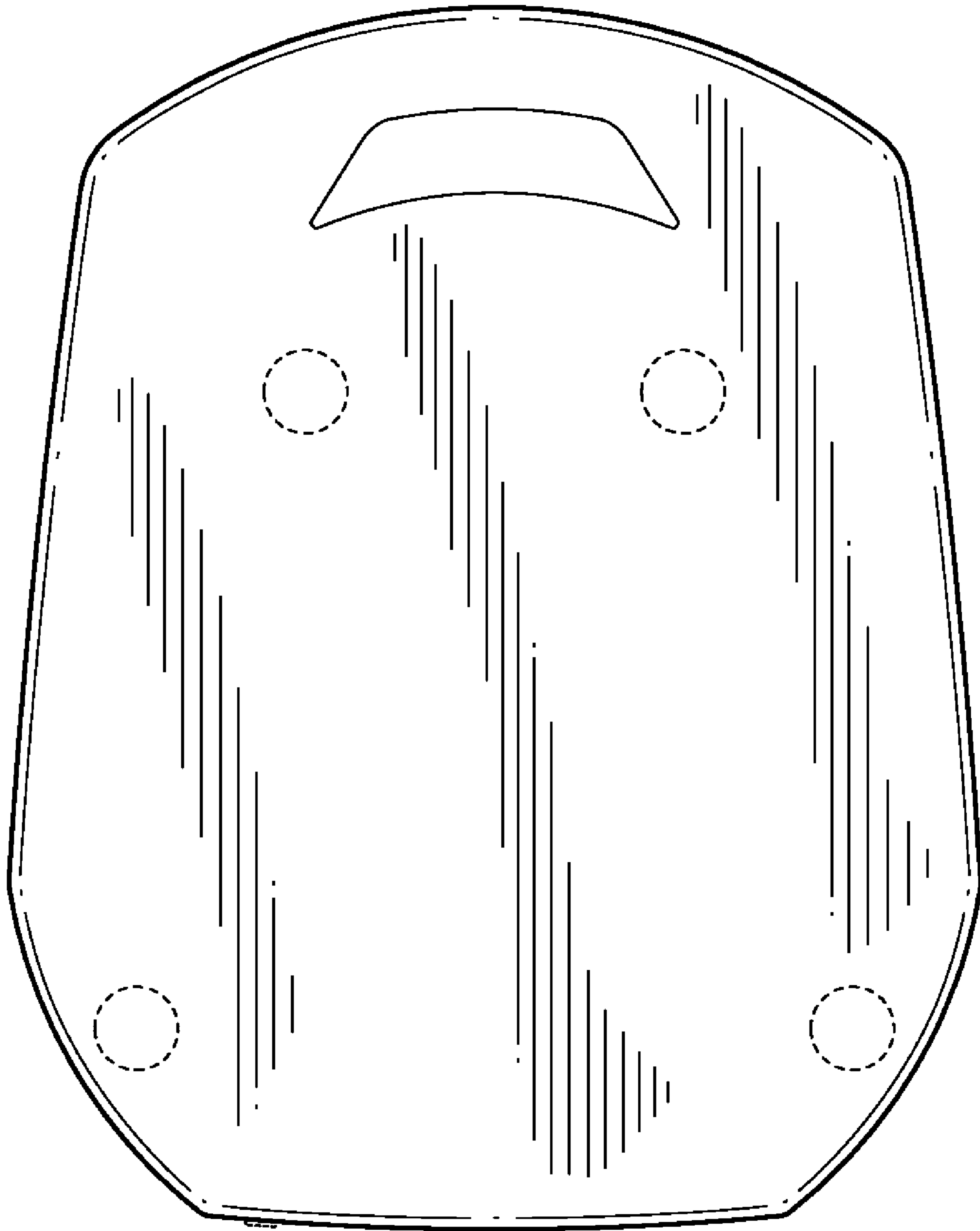


Fig. 6