



US00D611451S

(12) **United States Design Patent**
Wang et al.

(10) **Patent No.:** **US D611,451 S**
(45) **Date of Patent:** **** *Mar. 9, 2010**

- (54) **PORTABLE SPEAKER SYSTEM**
- (75) Inventors: **Bowman Wang**, Ben Lomond, CA (US);
Minsung Kwon, San Jose, CA (US)
- (73) Assignee: **Altec Lansing, LLC**, Milford, PA (US)
- (*) Notice: This patent is subject to a terminal disclaimer.
- (**) Term: **14 Years**
- (21) Appl. No.: **29/335,704**
- (22) Filed: **Apr. 20, 2009**

- D560,657 S * 1/2008 Langberg et al. D14/214
- D563,385 S * 3/2008 Skurdal D14/217
- D577,002 S * 9/2008 Kurihara D14/170
- D581,903 S * 12/2008 Joseph D14/214

* cited by examiner

Primary Examiner—Nanda Bondade
(74) *Attorney, Agent, or Firm*—Greenberg Traurig LLP

(57) **CLAIM**

The ornamental design for a portable speaker system, as shown and described.

DESCRIPTION

FIG. 1 is front-top-left perspective view of a portable speaker system showing our new design;
FIG. 2 is a front view thereof;
FIG. 3 is a back view thereof;
FIG. 4 is a left side view thereof;
FIG. 5 is a right side view thereof;
FIG. 6 is a top view thereof; and,
FIG. 7 is a bottom view thereof.

The broken lines showing of the unclaimed environment forms no part of the claimed design.

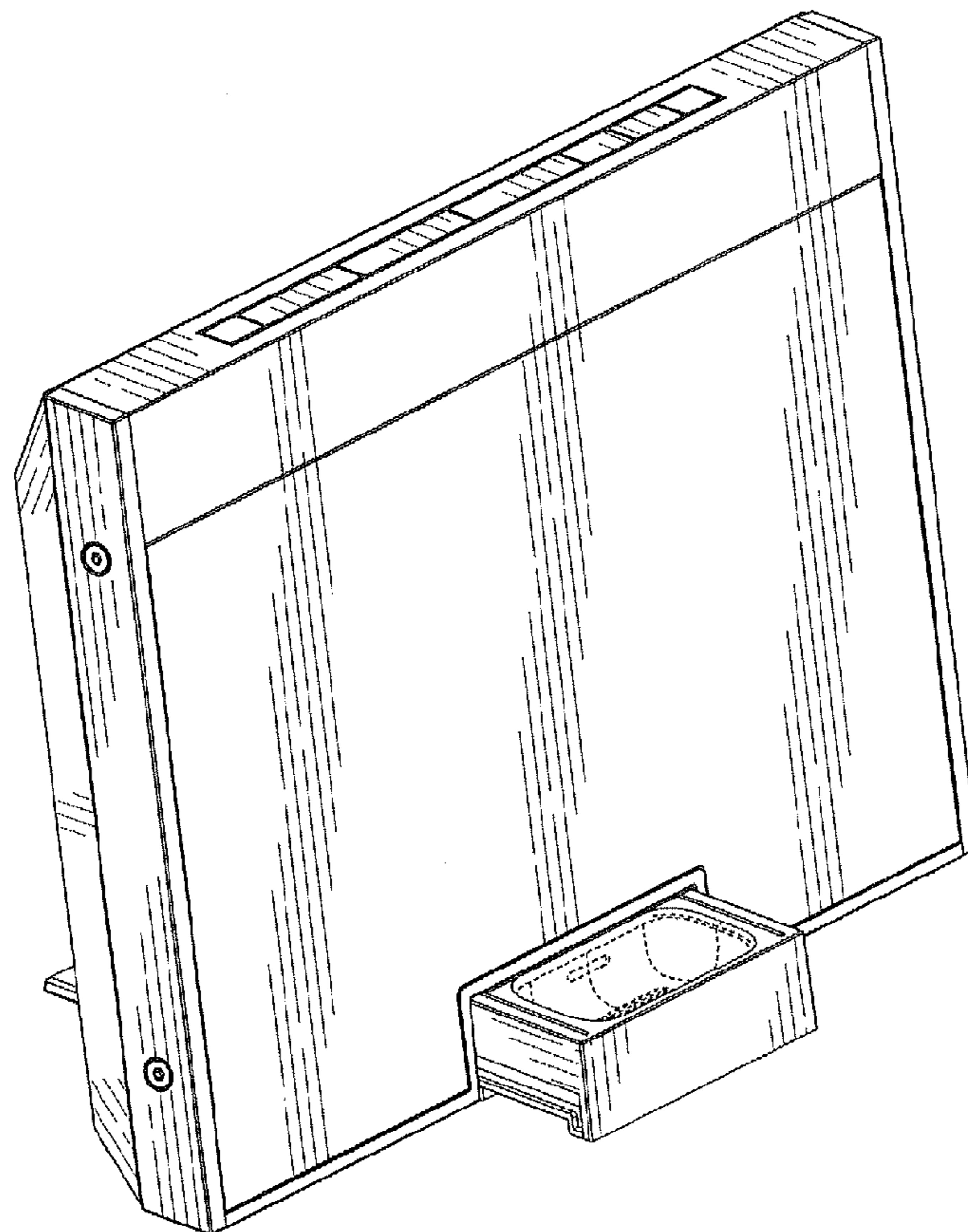
- (51) **LOC (9) Cl.** **14-01**
- (52) **U.S. Cl.** **D14/209.1**
- (58) **Field of Classification Search** D14/204,
D14/209.1, 210–217, 168, 170–172; 181/143–144,
181/147–148, 150–153, 157, 198–199; 381/300–303,
381/306, 332–333, 336, 345, 361–364, 386–388
See application file for complete search history.

(56) **References Cited**

U.S. PATENT DOCUMENTS

- D523,419 S * 6/2006 Joseph D14/214
- D556,732 S * 12/2007 Chan D14/168
- D560,208 S * 1/2008 Skurdal D14/214

1 Claim, 3 Drawing Sheets



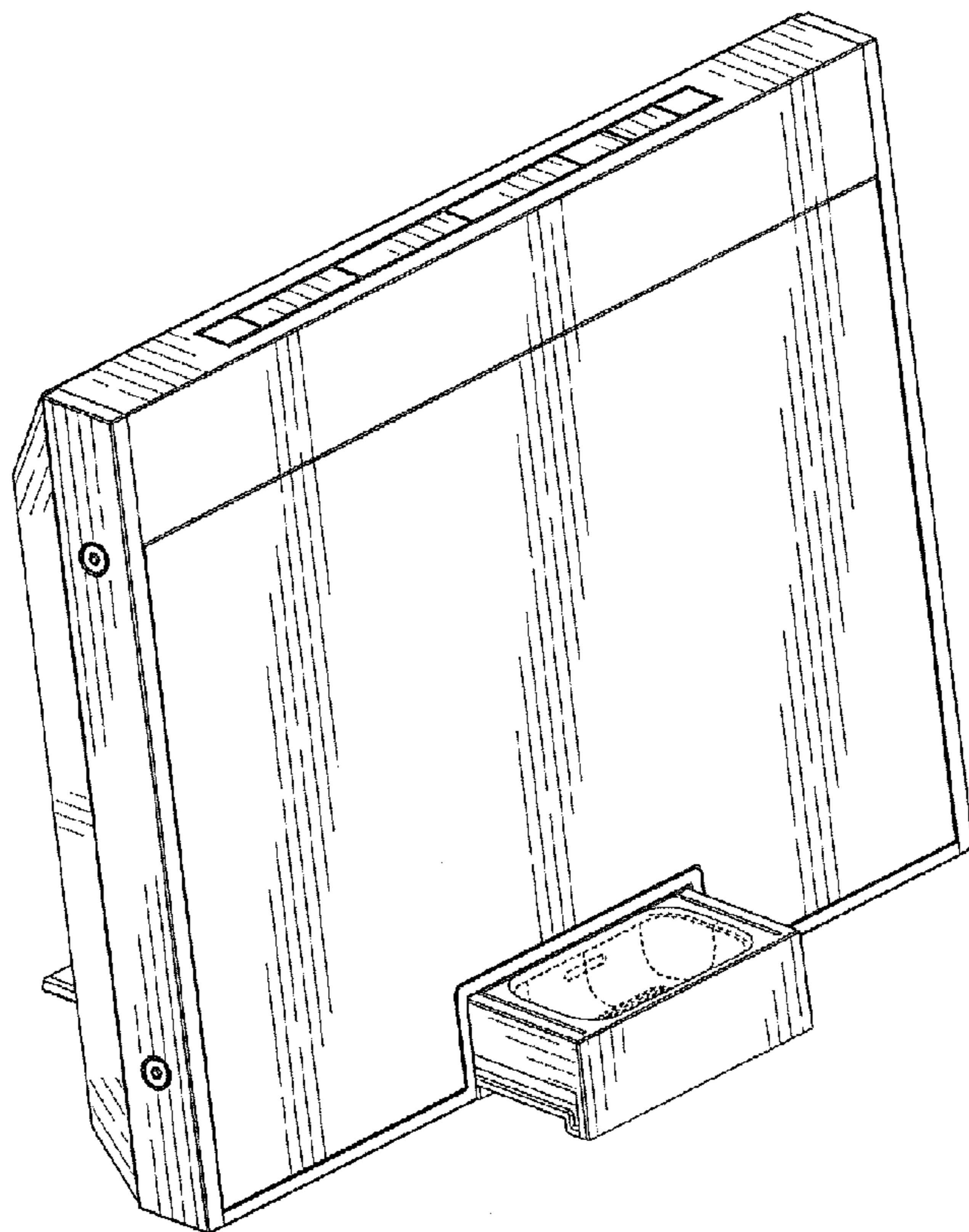


FIG. 1

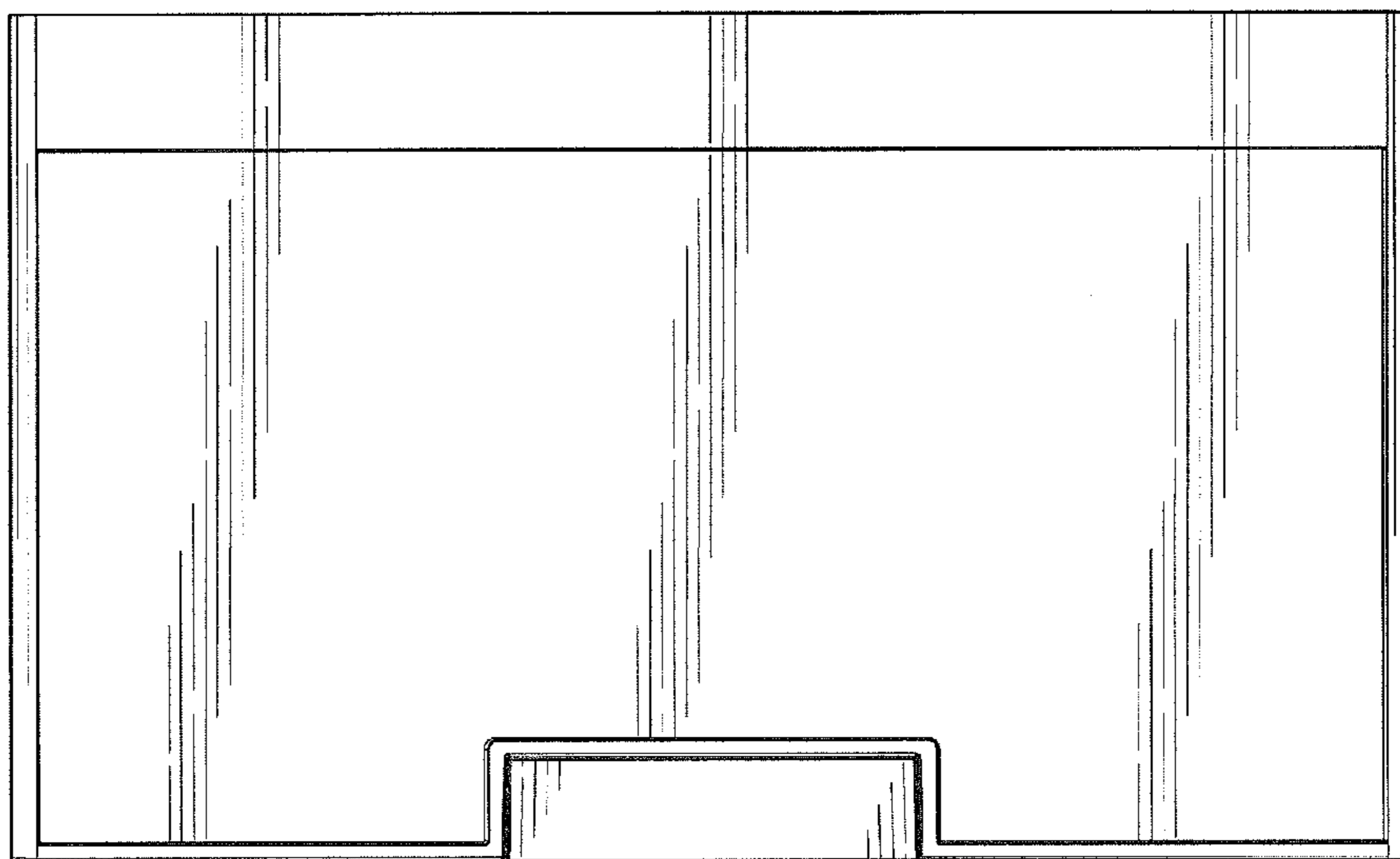


FIG. 2

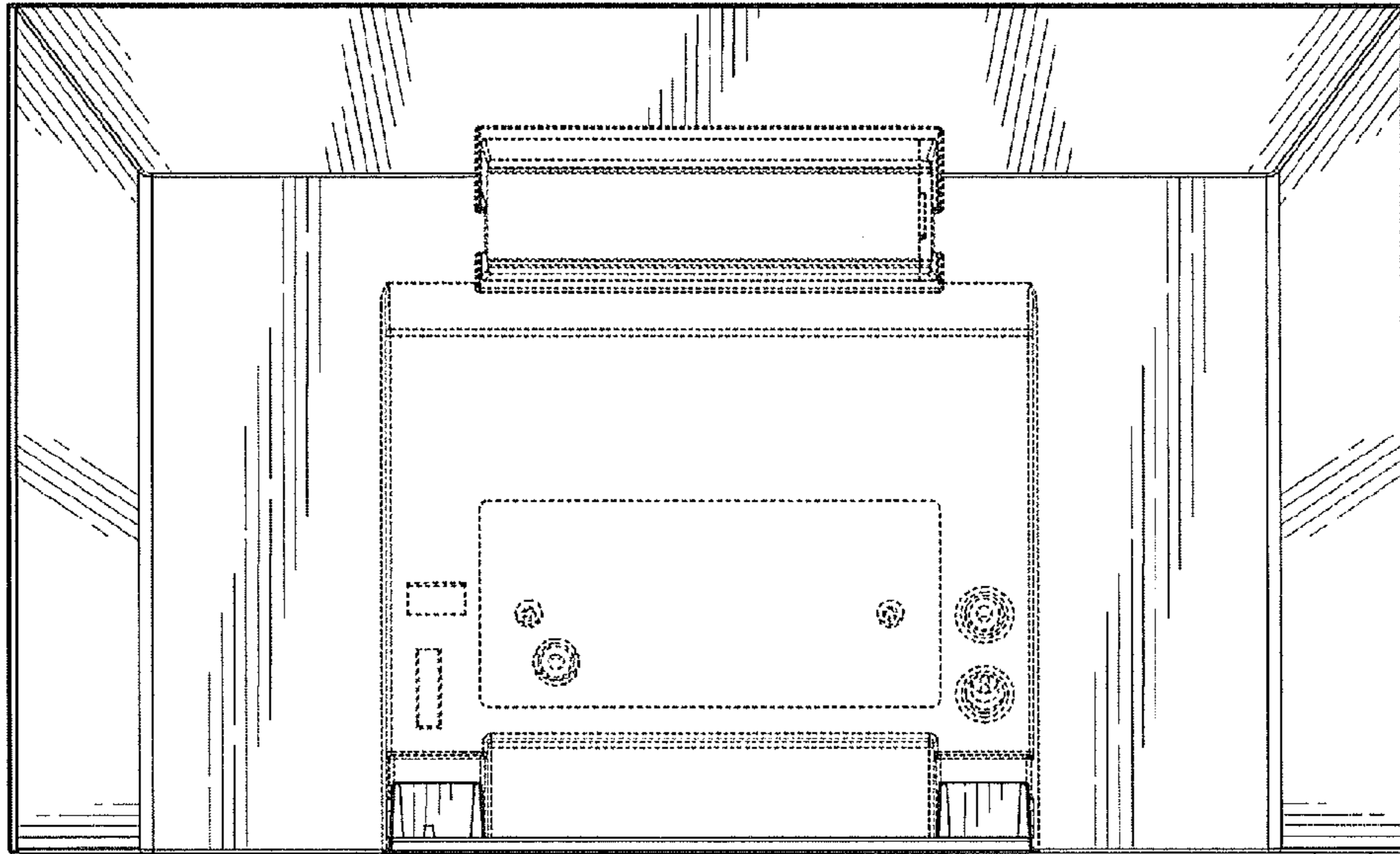


FIG. 3

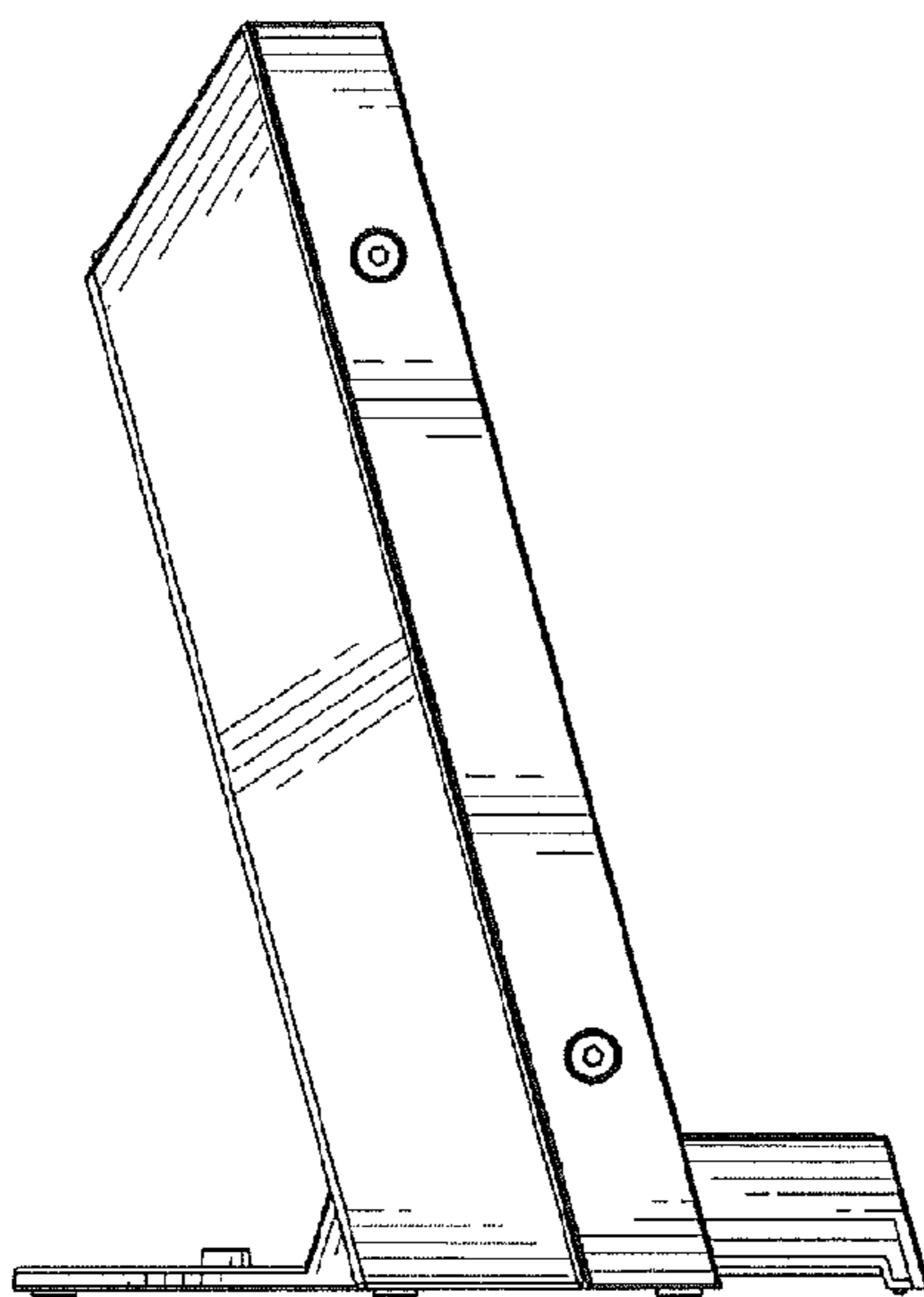


FIG. 4

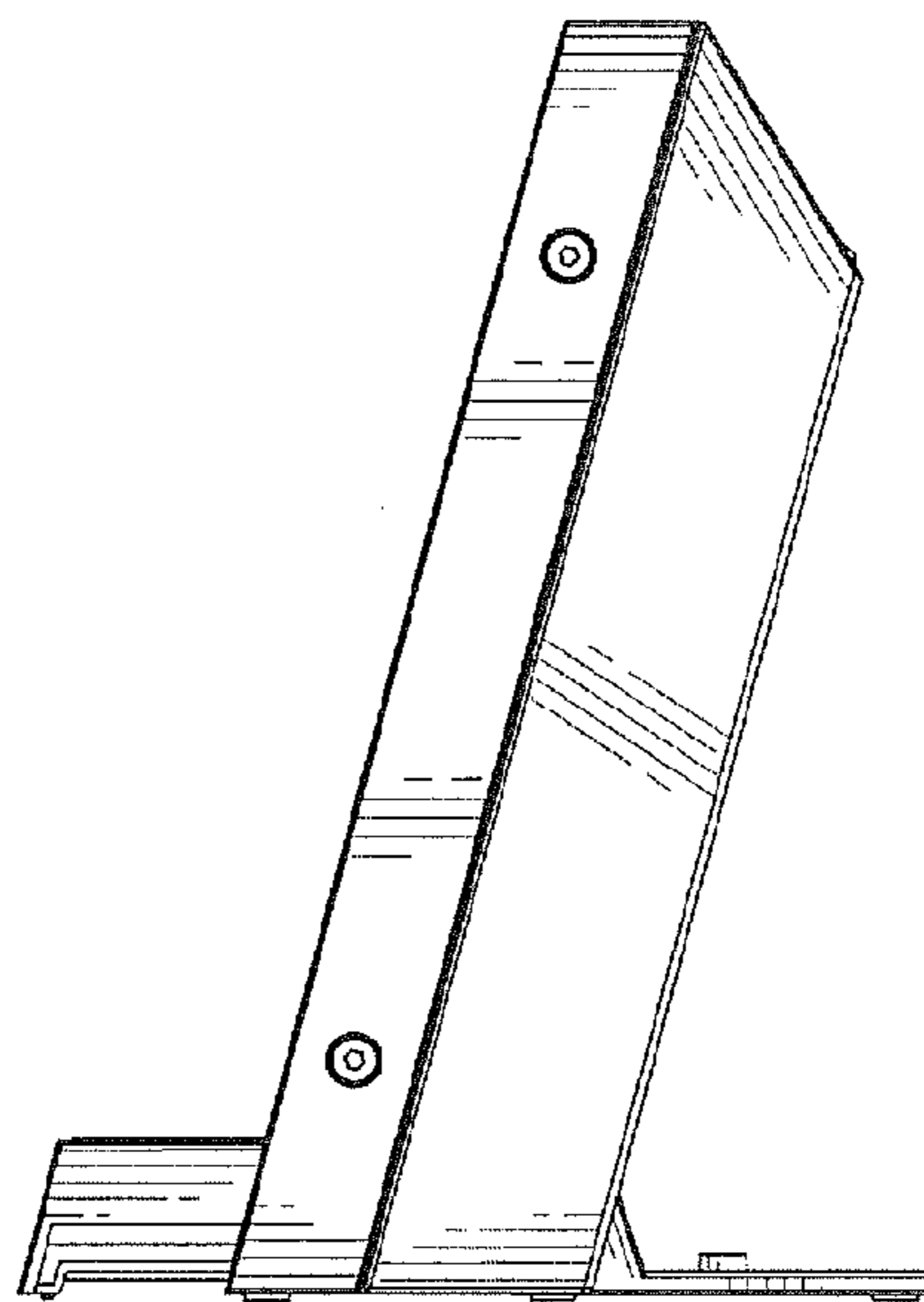


FIG. 5

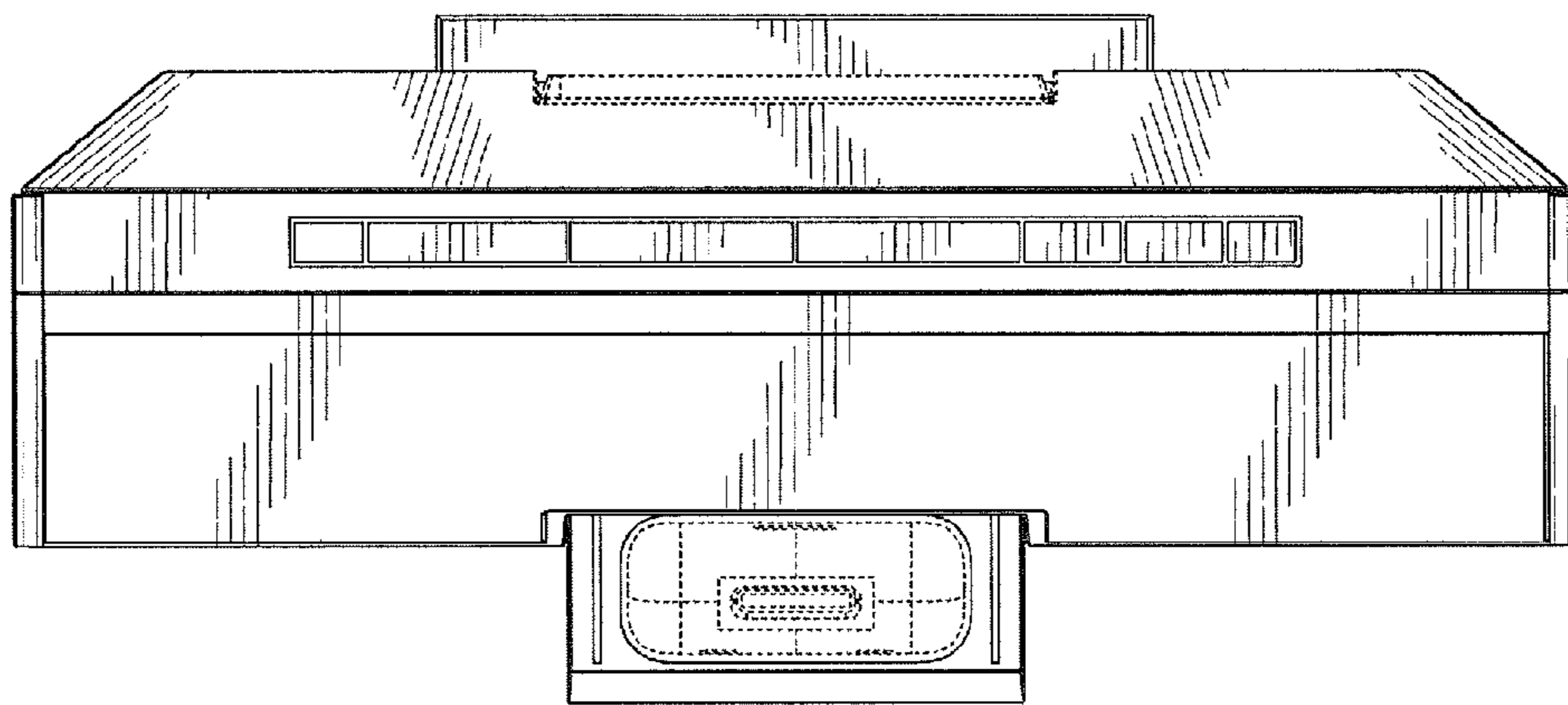


FIG. 6

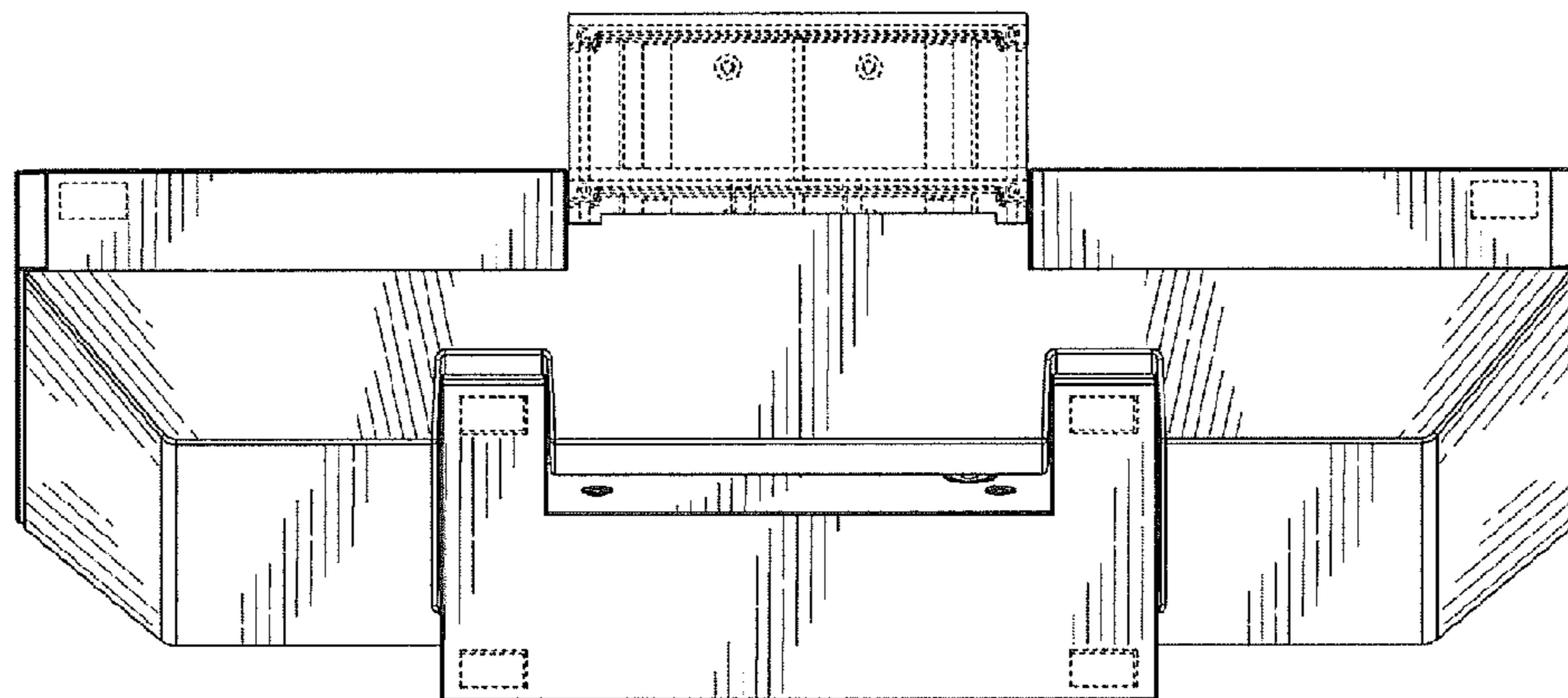


FIG. 7