



US00D611450S

(12) **United States Design Patent**  
**Miyazaki**

(10) **Patent No.:** **US D611,450 S**  
(45) **Date of Patent:** **\*\* Mar. 9, 2010**

(54) **PORTABLE SPEAKER**

(75) Inventor: **Tokuji Miyazaki**, Tokyo (JP)

(73) Assignee: **Axes Co., Ltd.**, Tokyo (JP)

(\*\*) Term: **14 Years**

(21) Appl. No.: **29/311,220**

(22) Filed: **Jan. 22, 2009**

(30) **Foreign Application Priority Data**

Jul. 28, 2008 (JP) ..... 2008-019253

(51) **LOC (9) Cl.** ..... **14-01**

(52) **U.S. Cl.** ..... **D14/209.1; D14/214**

(58) **Field of Classification Search** ..... D14/204,  
D14/209.1, 210–216, 168, 172; 181/143–144,  
181/147–148, 150–153, 157, 198–199; 381/300–303,  
381/306, 332–333, 336, 345, 361–364, 386–388  
See application file for complete search history.

(56) **References Cited**

**U.S. PATENT DOCUMENTS**

D223,580 S \* 5/1972 Richards ..... D14/215  
4,334,211 A \* 6/1982 McConnell et al. .... 340/474  
D375,746 S \* 11/1996 Wu ..... D14/216  
D384,350 S \* 9/1997 Nuevo et al. .... D14/168

D436,943 S \* 1/2001 Hayashi et al. .... D14/168  
D496,351 S \* 9/2004 Allen ..... D14/211  
D551,656 S \* 9/2007 Ritscher et al. .... D14/216  
D555,636 S \* 11/2007 Chen et al. .... D14/216  
D571,359 S \* 6/2008 Chang ..... D14/216

\* cited by examiner

*Primary Examiner*—Nanda Bondade

(74) *Attorney, Agent, or Firm*—Kratz, Quintos & Hanson,  
LLP

(57) **CLAIM**

The ornamental design for a portable speaker, as shown and described.

**DESCRIPTION**

FIG. 1 is a front perspective view of the portable speaker of the present invention;

FIG. 2 is a front view thereof;

FIG. 3 is a rear view thereof;

FIG. 4 is a top plan view thereof;

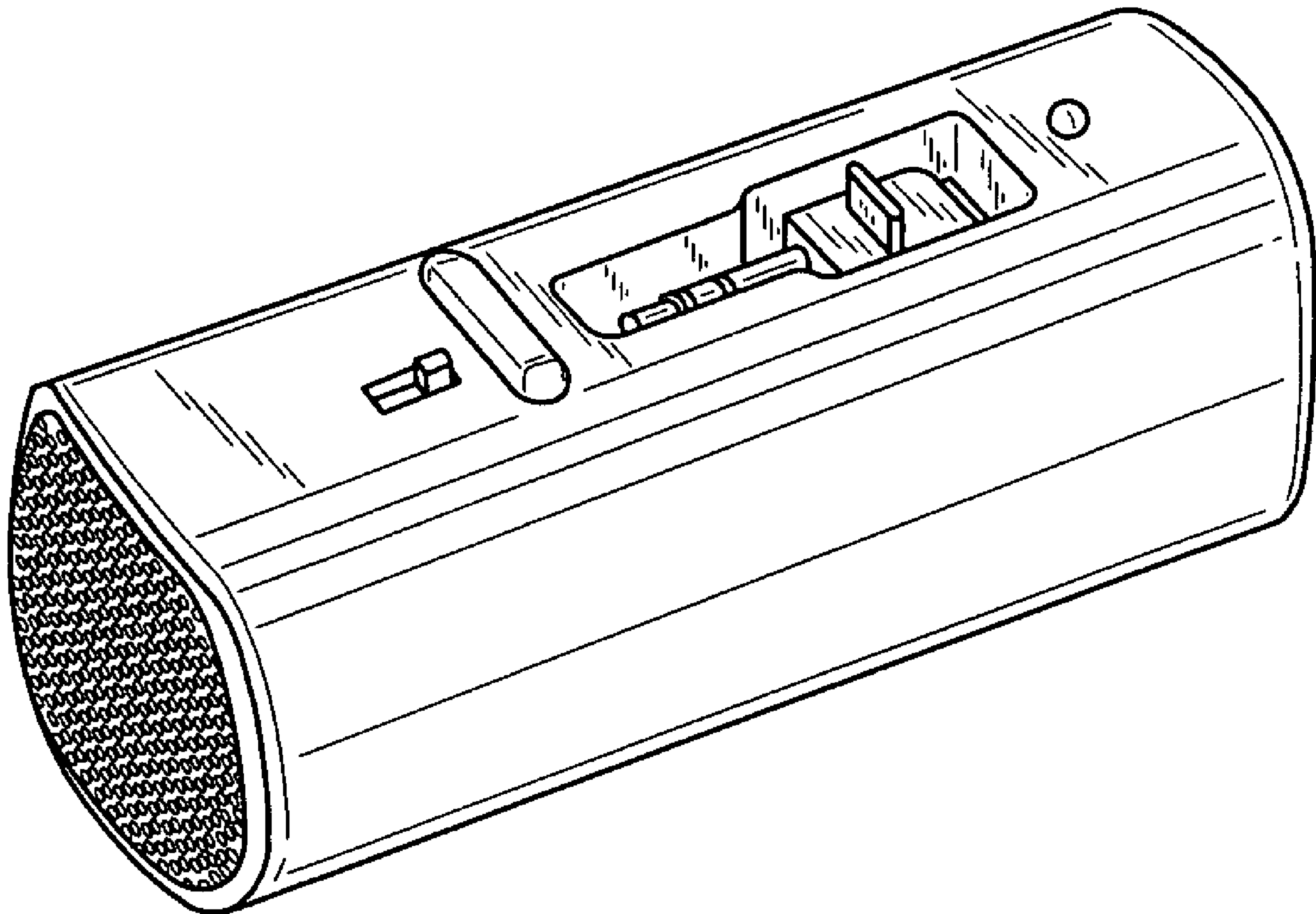
FIG. 5 is a bottom view thereof;

FIG. 6 is a left side view thereof;

FIG. 7 is a right side view thereof; and,

FIG. 8 is a bottom perspective view thereof.

**1 Claim, 5 Drawing Sheets**



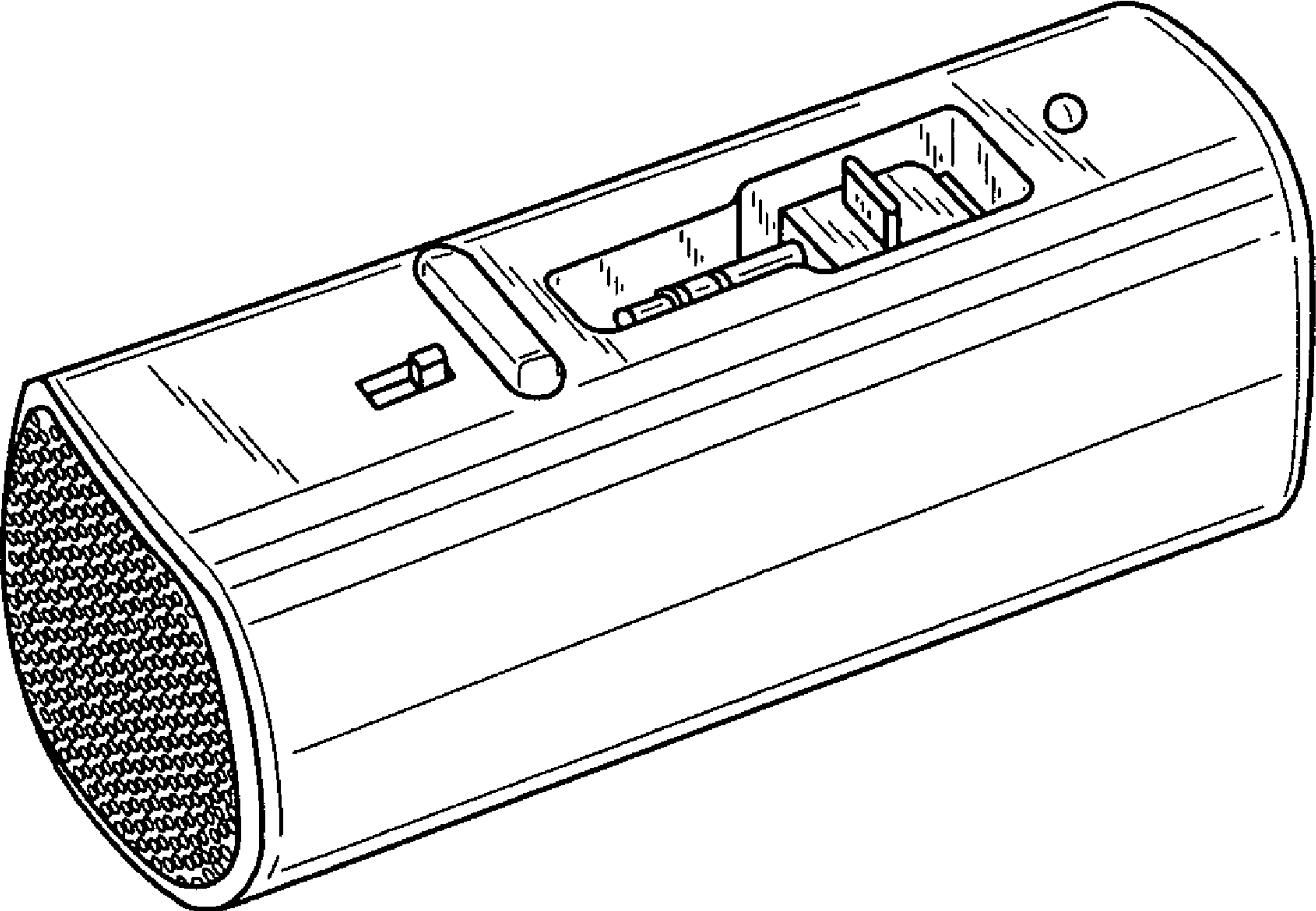


FIG.1

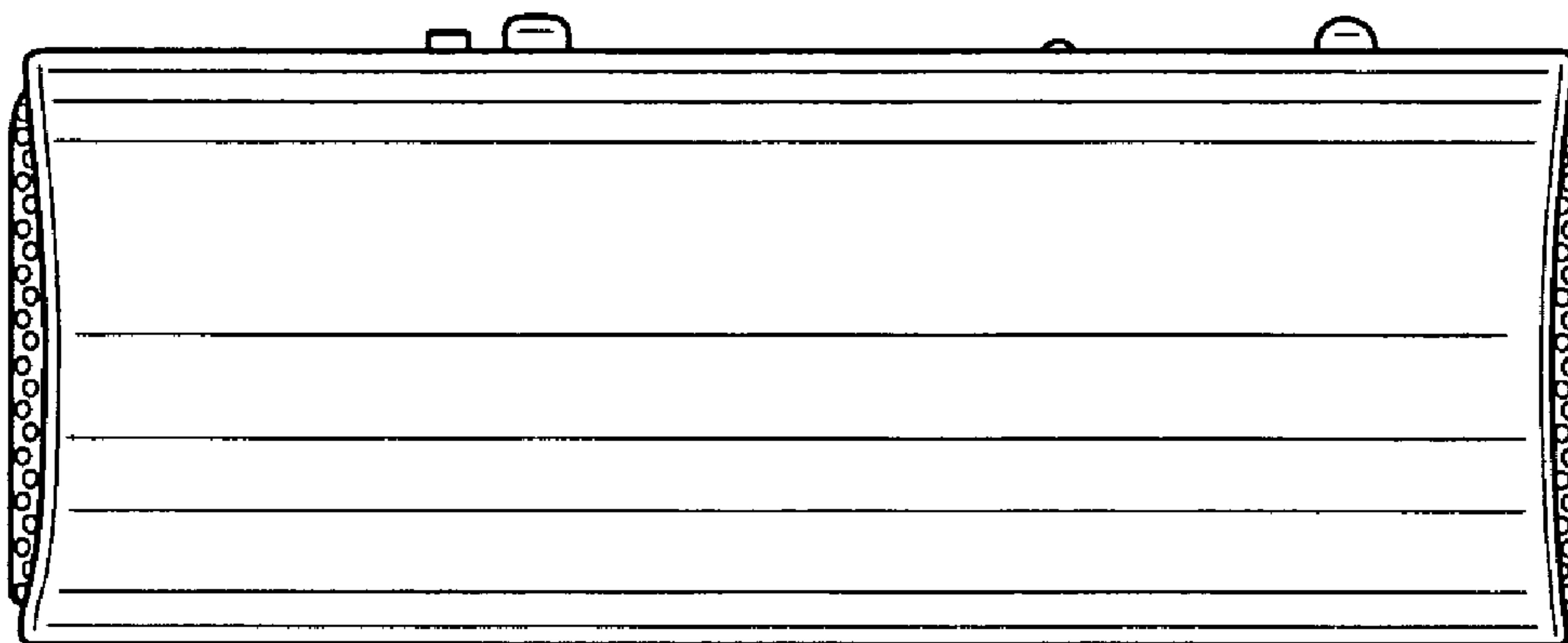


FIG. 2

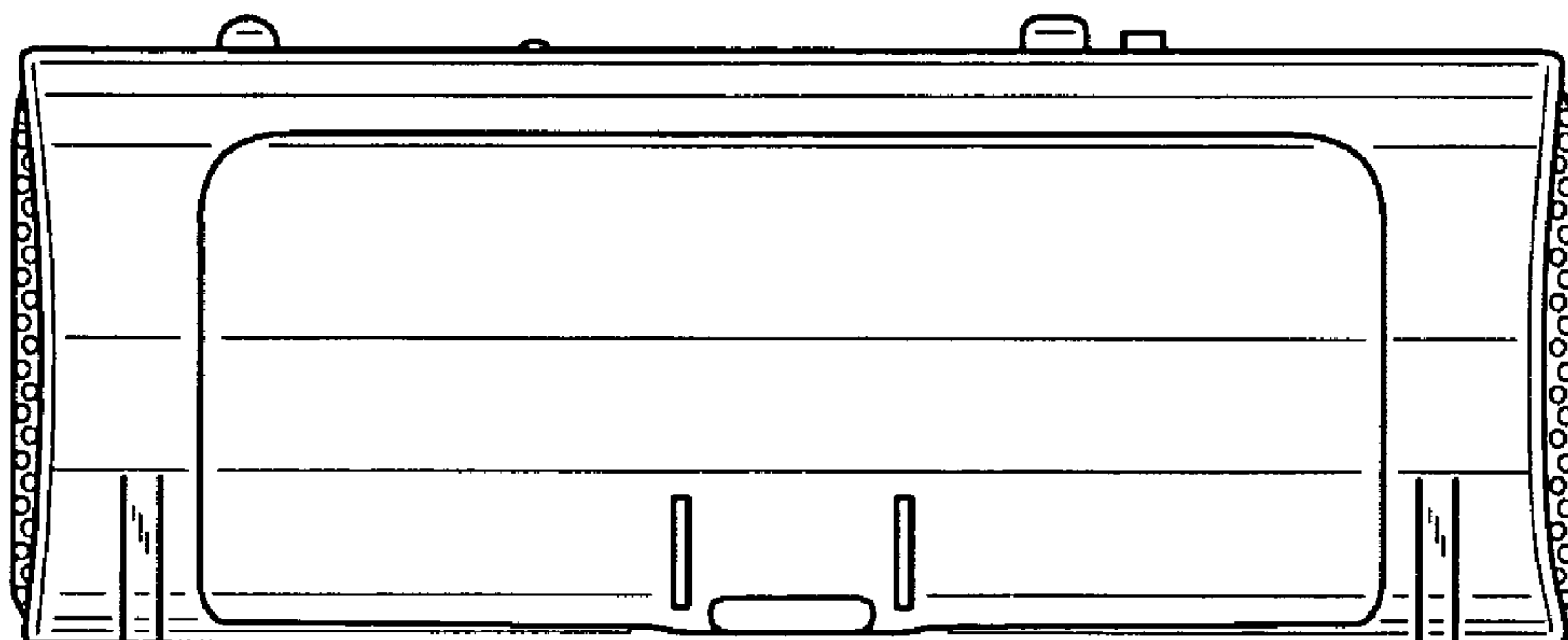


FIG. 3

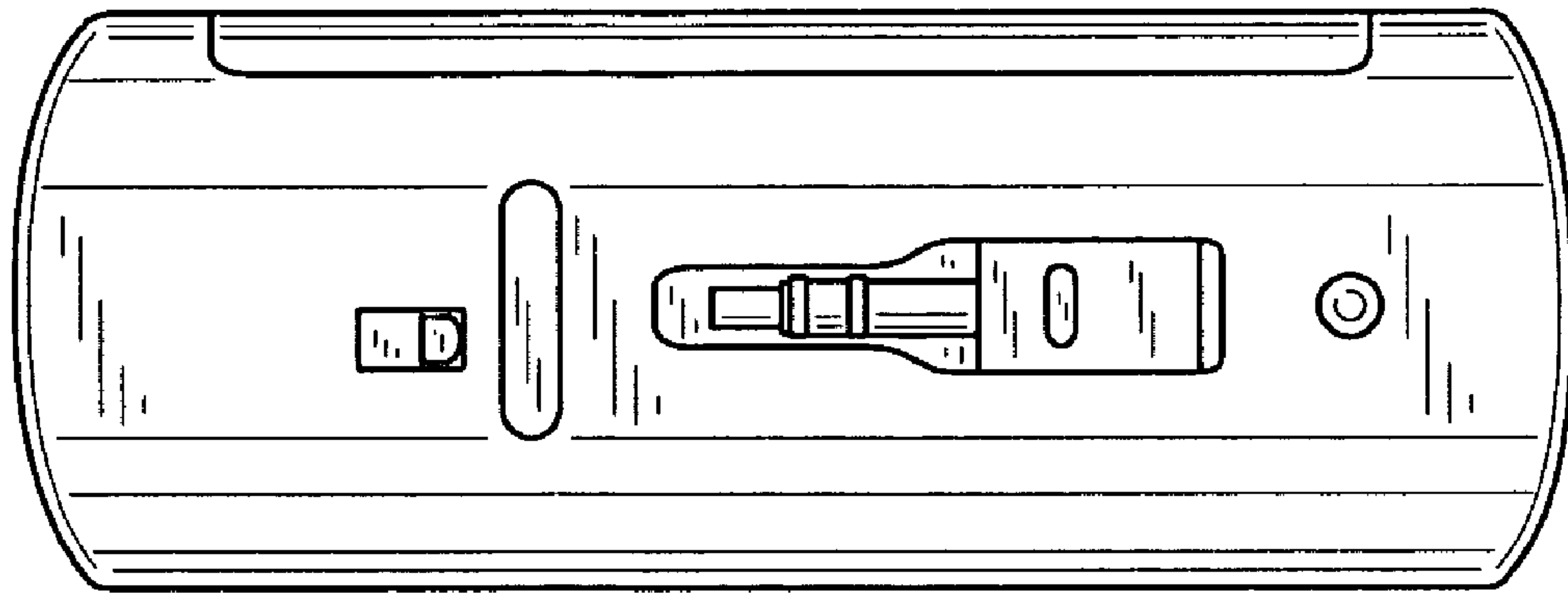


FIG. 4

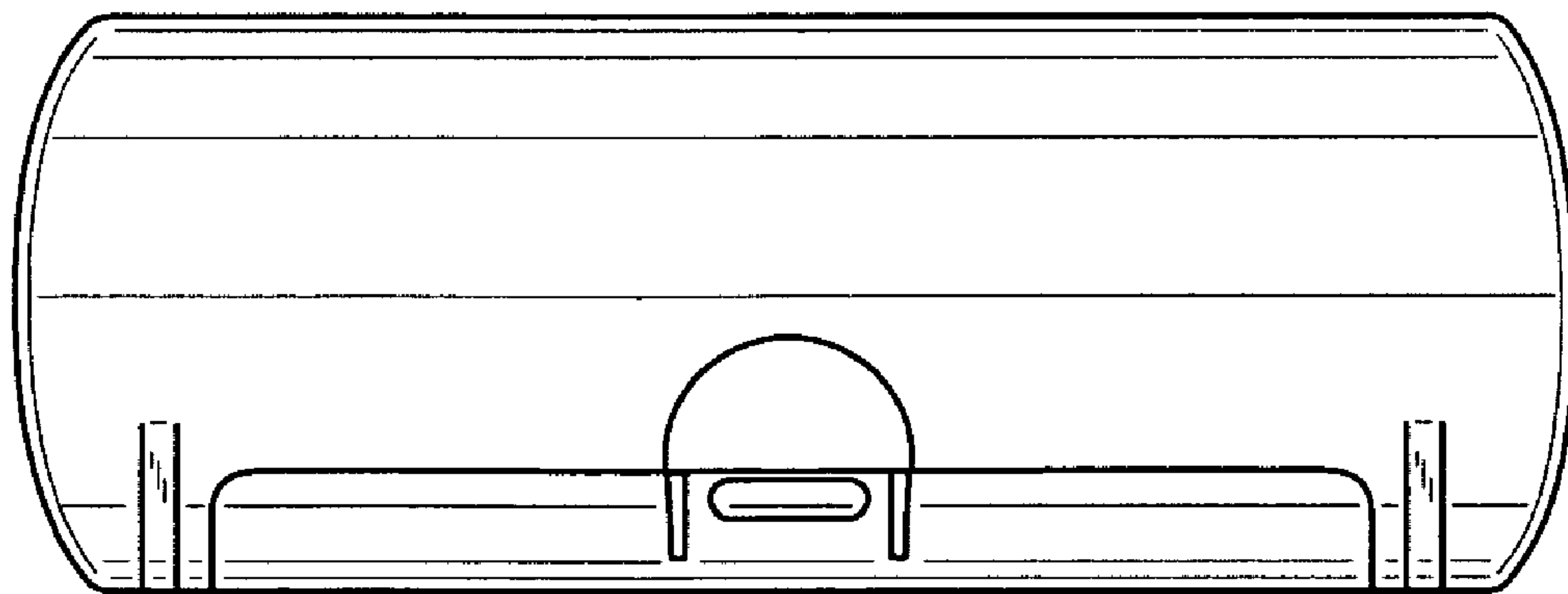


FIG. 5

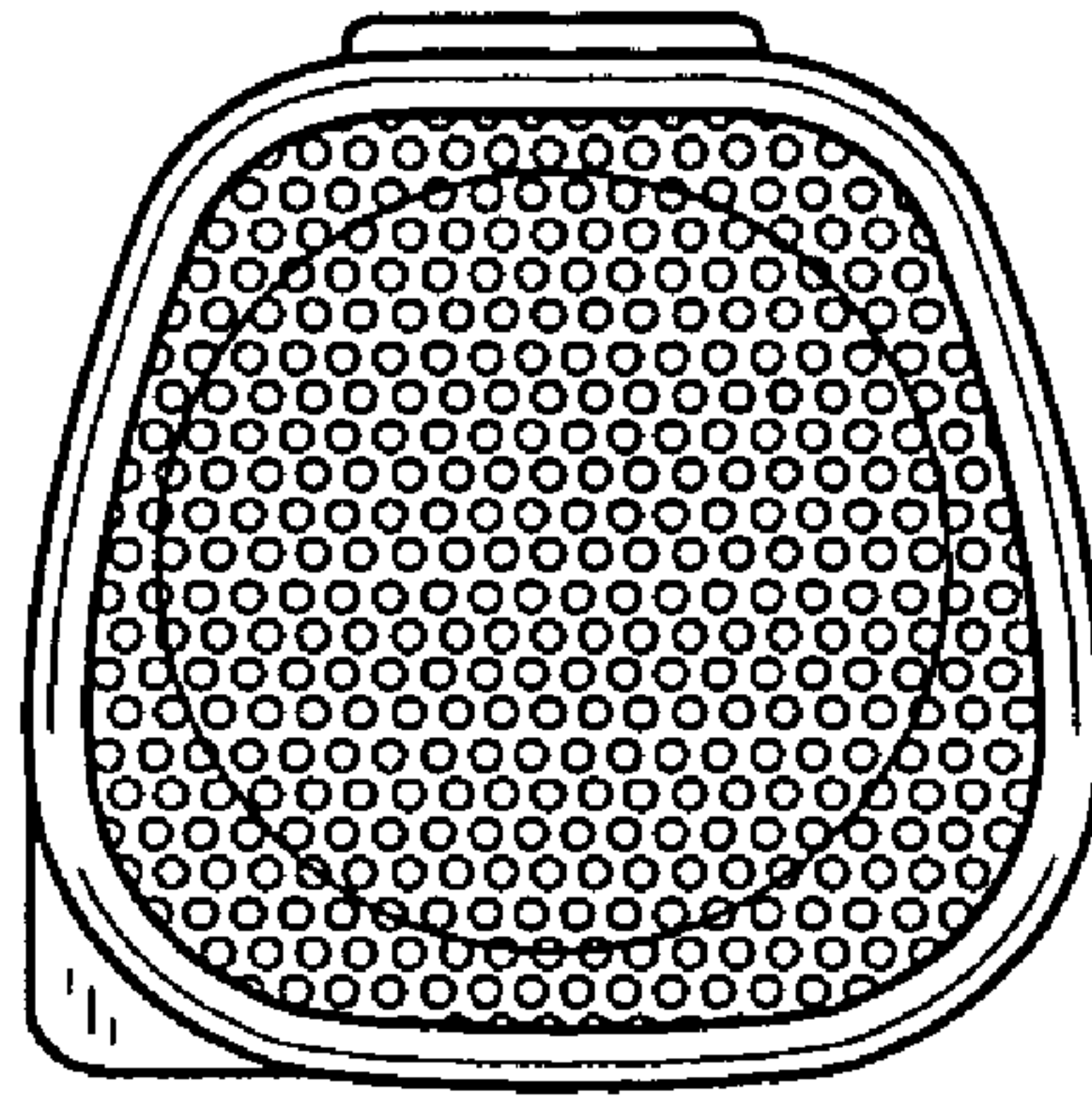


FIG. 6

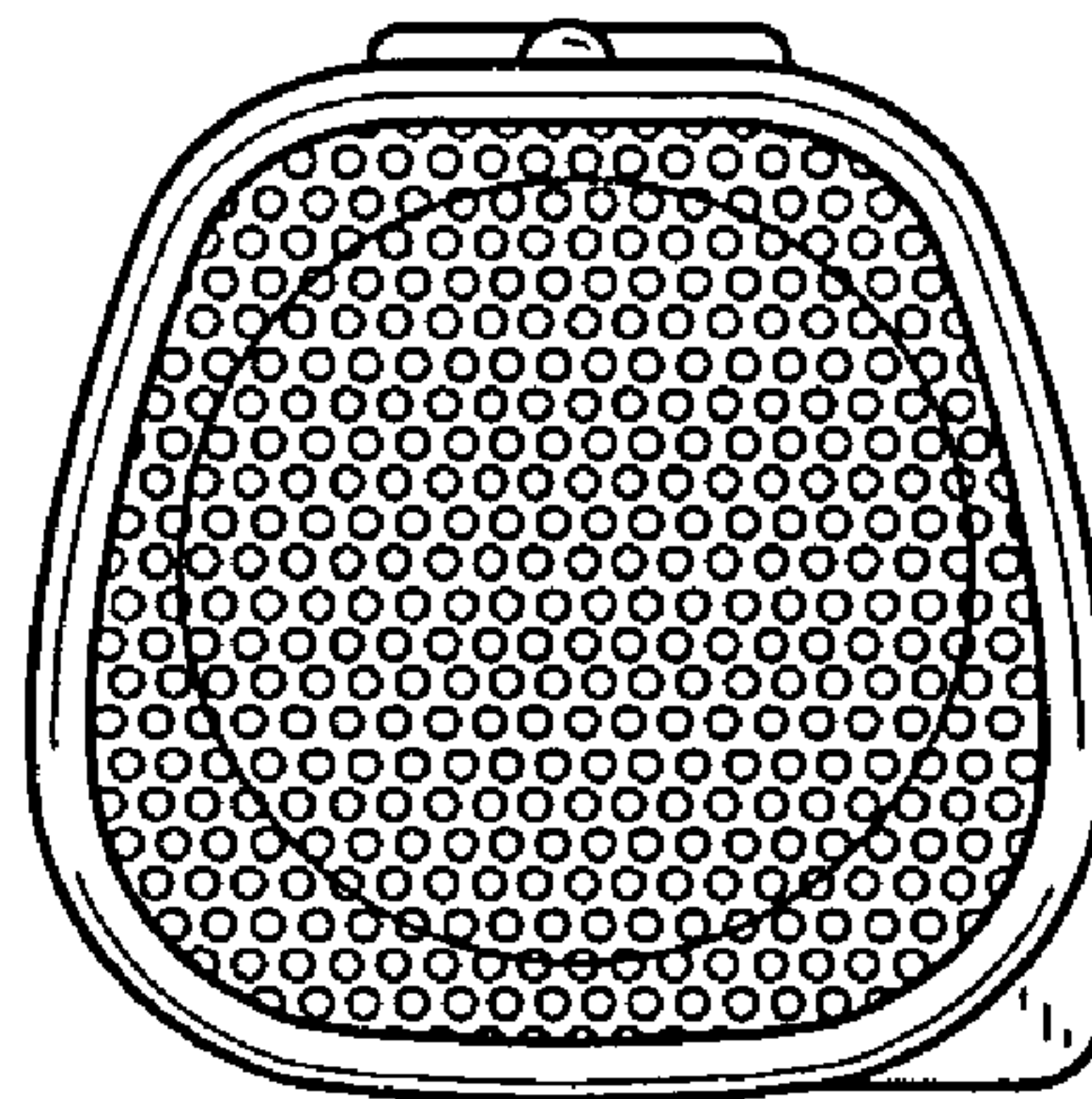


FIG. 7

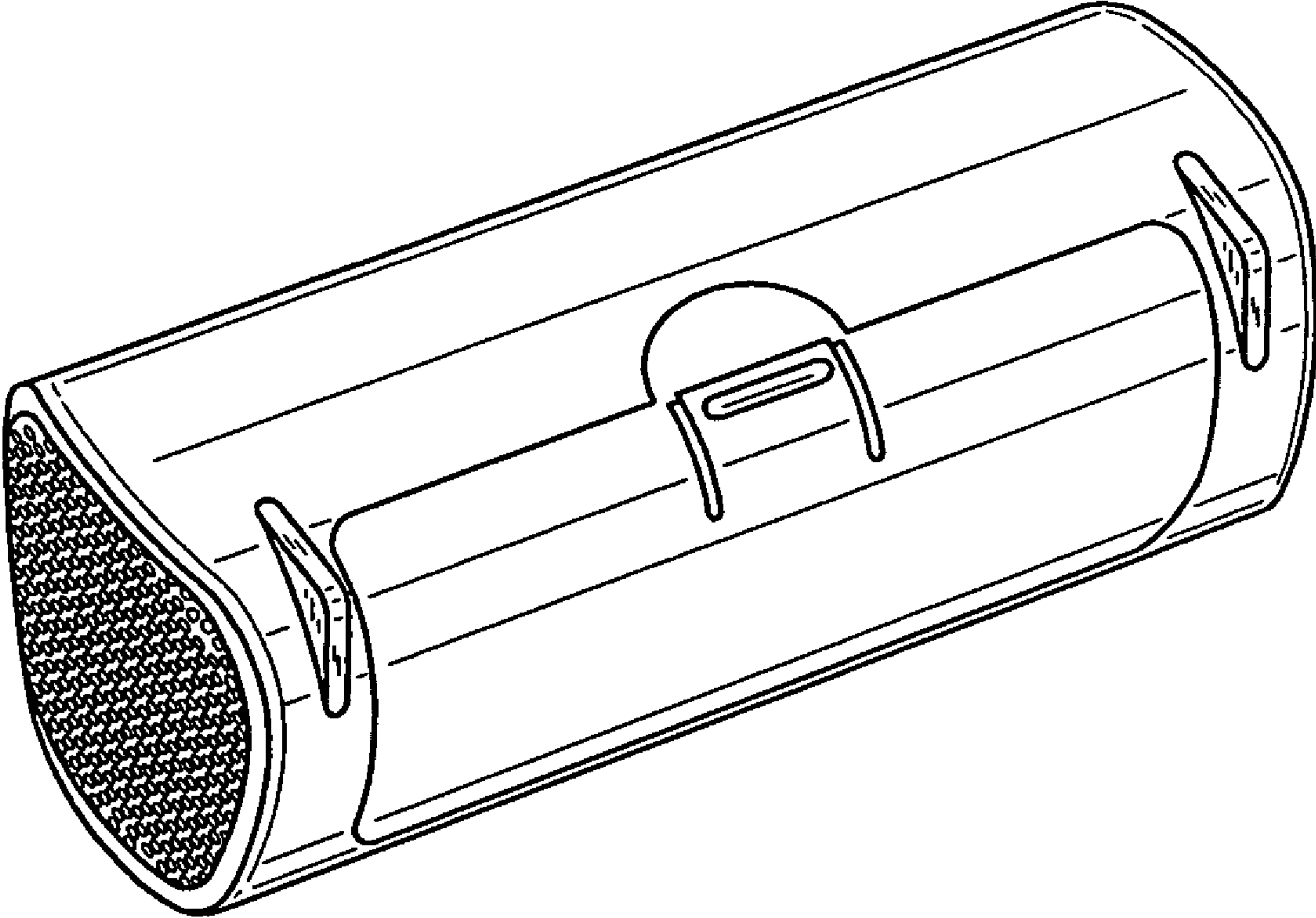


FIG.8