



US00D611447S

(12) **United States Design Patent**
Kim et al.

(10) **Patent No.:** **US D611,447 S**
(45) **Date of Patent:** **** Mar. 9, 2010**

(54) **MOBILE PHONE**

(75) Inventors: **Kuk-Hwan Kim**, Seoul (KR); **Nam-Mi Kim**, Seoul (KR); **Chang-Hwan Hwang**, Goyang-si (KR)

(73) Assignee: **Samsung Electronics Co., Ltd.** (KR)

(**) Term: **14 Years**

(21) Appl. No.: **29/335,213**

(22) Filed: **Apr. 10, 2009**

(30) **Foreign Application Priority Data**

Feb. 3, 2009 (KR) 30-2009-0004245

(51) **LOC (9) Cl.** **14-03**

(52) **U.S. Cl.** **D14/138 AD**

(58) **Field of Classification Search** D14/138 R,
D14/138 AD, 138 AC, 138 C, 138 G, 191,
D14/203.1–203.8, 496, 138 AA, 138 AB,
D14/247–248, 137, 147, 218, 341–347;
D10/65, 78, 104; D13/168; D18/7; 455/566,
455/575.1, 575.3

See application file for complete search history.

(56) **References Cited**

U.S. PATENT DOCUMENTS

D525,959 S * 8/2006 Kim et al. D14/138 AD
D534,518 S * 1/2007 Choi et al. D14/138 AD
D535,274 S * 1/2007 Lee D14/138 AD
D547,296 S * 7/2007 Lin D14/138 AD
D555,623 S * 11/2007 Cho et al. D14/138 AB
D558,714 S * 1/2008 Kim et al. D14/138 AD
D558,715 S * 1/2008 Lee et al. D14/138 AD
D559,826 S * 1/2008 Lee et al. D14/138 AD
D560,644 S * 1/2008 Choi et al. D14/138 AD
D561,146 S * 2/2008 Finney et al. D14/138 AD
D562,290 S * 2/2008 Cho et al. D14/138 AB
D562,291 S * 2/2008 Bang et al. D14/138 AD
D567,794 S * 4/2008 Kim et al. D14/138 AD
D569,834 S * 5/2008 Suk et al. D14/138 AD
D569,835 S * 5/2008 Han et al. D14/138 AD

D569,836 S * 5/2008 Han et al. D14/138 AD
D580,395 S * 11/2008 Oh et al. D14/138 AD
D580,904 S * 11/2008 Park et al. D14/138 AD
D581,382 S * 11/2008 Jeoung et al. D14/138 AD
D590,794 S * 4/2009 Jeoung et al. D14/138 AD
D592,166 S * 5/2009 Song D14/138 AD
D593,980 S * 6/2009 Lee et al. D14/138 AD
D596,601 S * 7/2009 Park et al. D14/138 AD
2007/0121279 A1 * 5/2007 Robertson et al. 361/679
2008/0194299 A1 * 8/2008 Cho et al. 455/566
2009/0163247 A1 * 6/2009 Song 455/566

OTHER PUBLICATIONS

Alcatel ELLE No. 3, announced Feb. 2007, [online], [retrieved on Feb. 16, 2007]. Retrieved from Internet ,<URL: <http://www.gsmarena.com>>.*

(Continued)

Primary Examiner—Jeffrey D Asch
Assistant Examiner—Bridget L Eland
(74) *Attorney, Agent, or Firm*—Cantor Colburn LLP

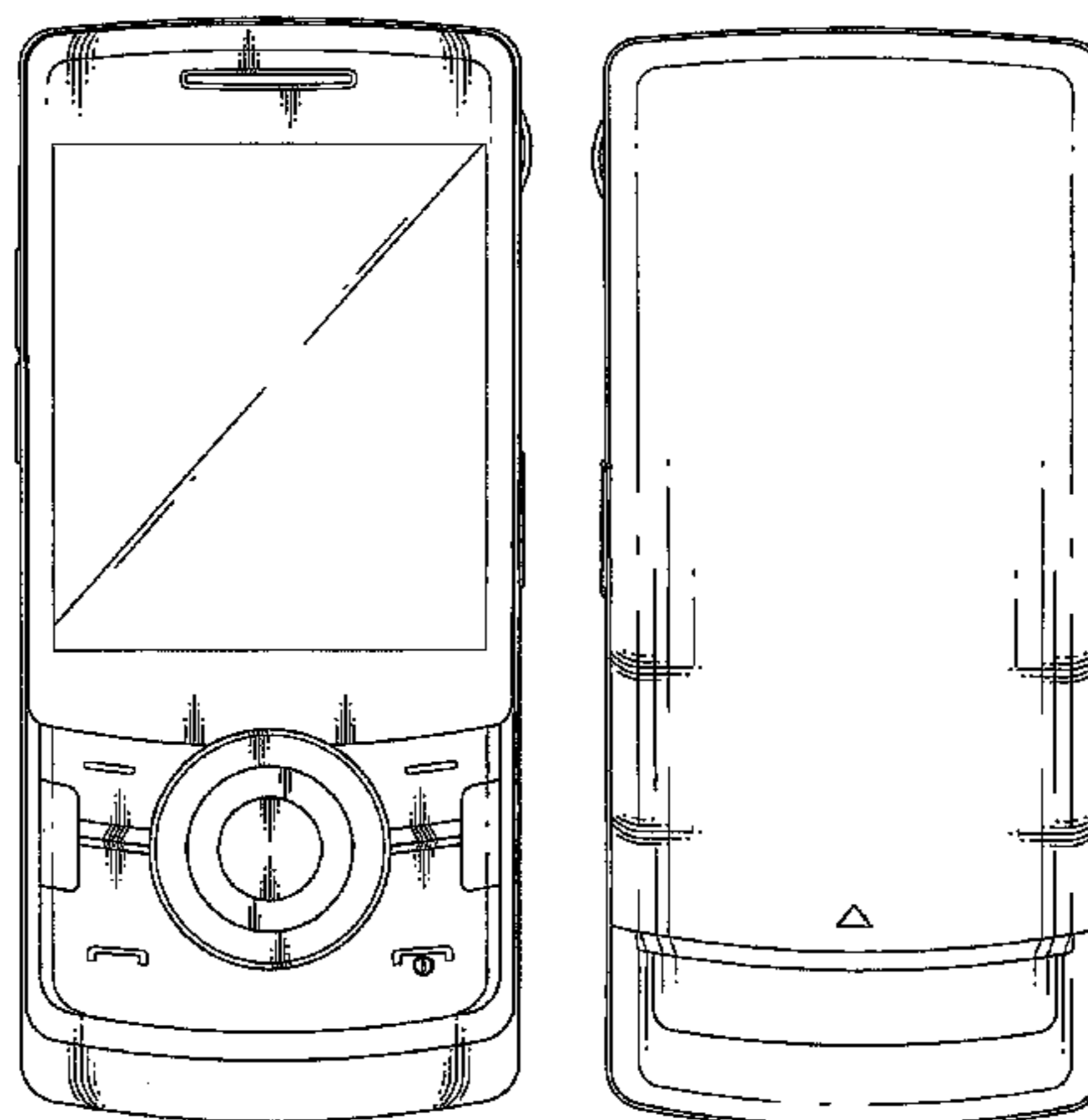
(57) **CLAIM**

We claim, the ornamental design for mobile phone, as shown and described.

DESCRIPTION

FIG. 1 is a perspective view of mobile phone, showing our new design;
FIG. 2 is a front view thereof;
FIG. 3 is a rear view thereof;
FIG. 4 is a left side view thereof;
FIG. 5 is a right side view thereof;
FIG. 6 is a top view thereof;
FIG. 7 is a bottom view thereof; and,
FIG. 8 is a perspective view of the mobile phone of FIG. 1 in an alternate opened position.

1 Claim, 6 Drawing Sheets



OTHER PUBLICATIONS

HTC Touch Cruise 09, announced Jan. 2009, [online], [retrieved on Jan. 23, 2009]. Retrieved from Internet ,<URL: <http://www.gsmarena.com>>.*

LG KF 240, announced May 2008, [online], [retrieved on Jun. 27, 2008]. Retrieved from Internet ,<URL: <http://www.gsmarena.com>>.*

Pantech PU-5000, announced Jun. 2006, [online], [retrieved on Feb. 20, 2007]. Retrieved from Internet ,<URL: <http://www.gsmarena.com>>.*

Philips 692, announced Jan. 2008, [online], [retrieved on Jan. 18, 2008]. Retrieved from Internet ,<URL: <http://www.gsmarena.com>>.*

Samsung i400, announced Apr. 2007, [online], [retrieved on May 18, 2007]. Retrieved from Internet ,<URL: <http://www.gsmarena.com>>.*

* cited by examiner

FIG. 1

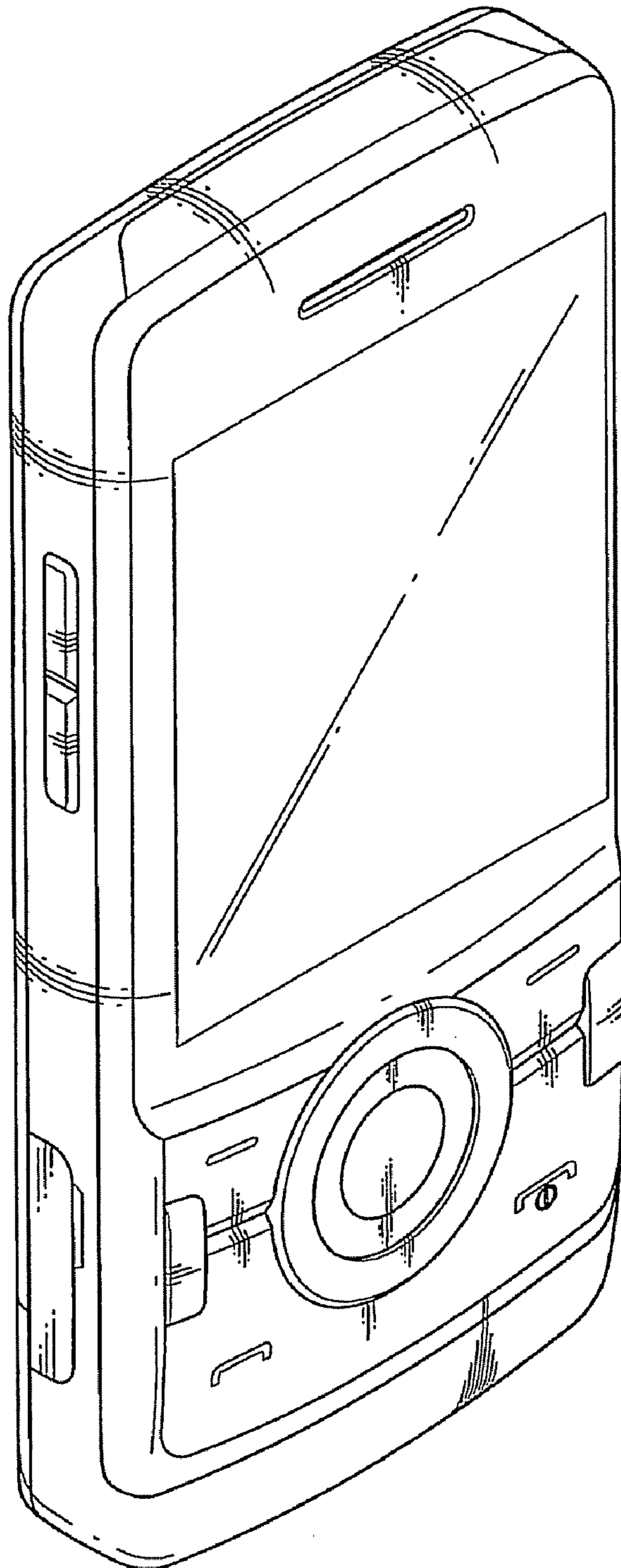


FIG.2

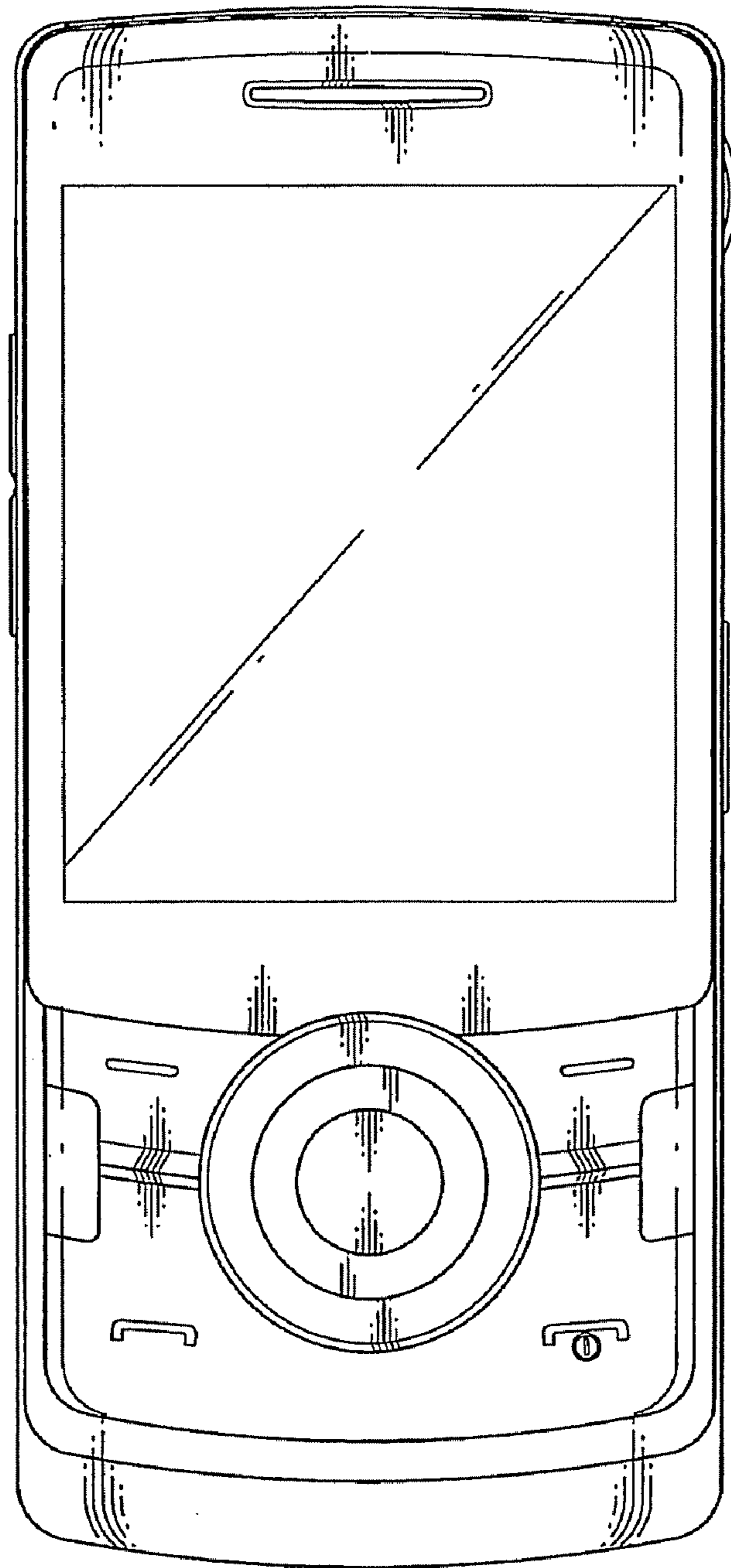


FIG.3

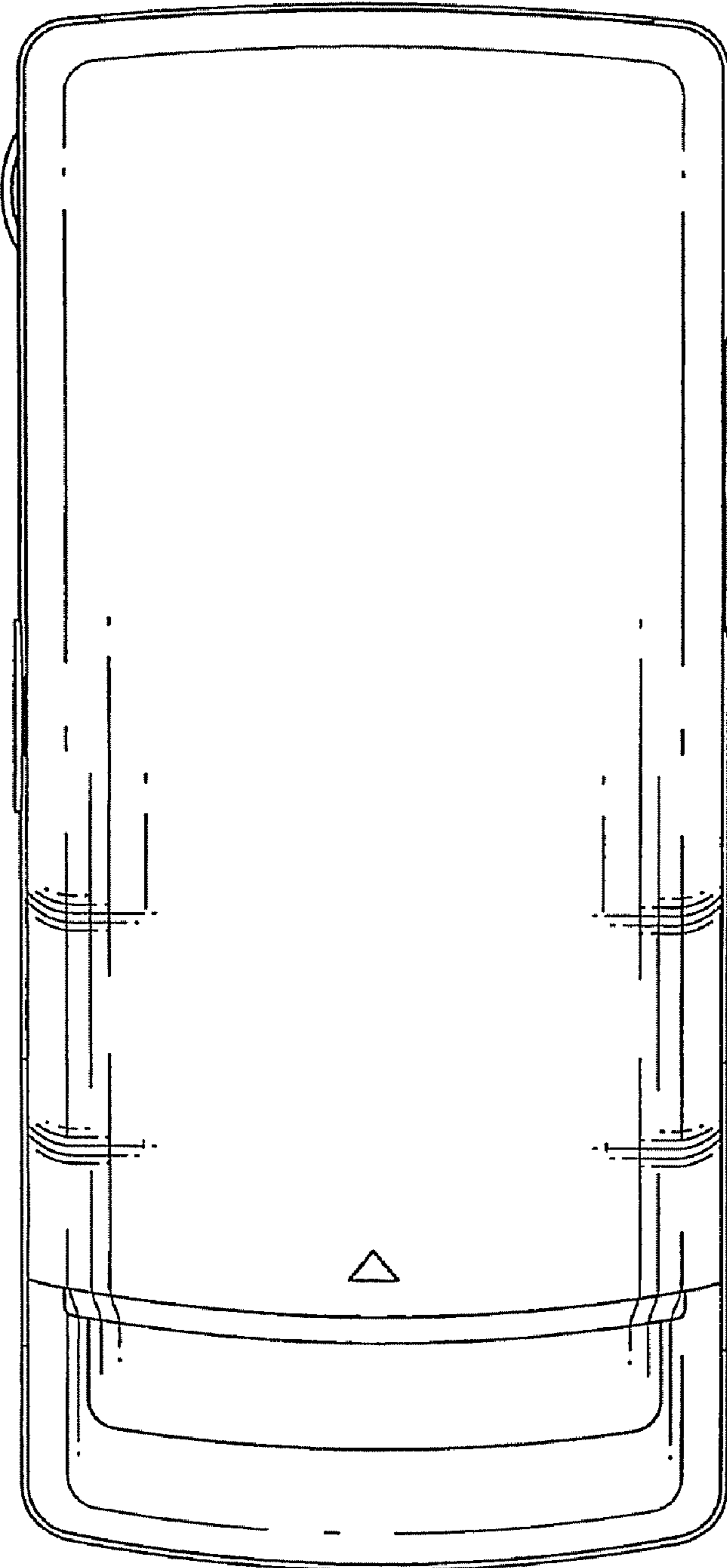


FIG.4

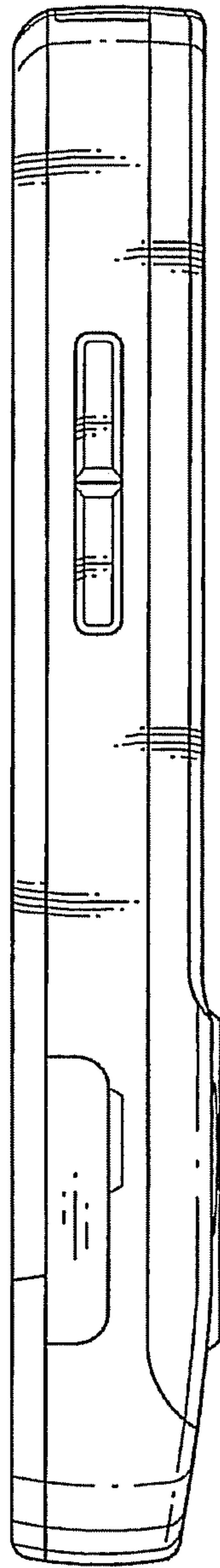


FIG.5

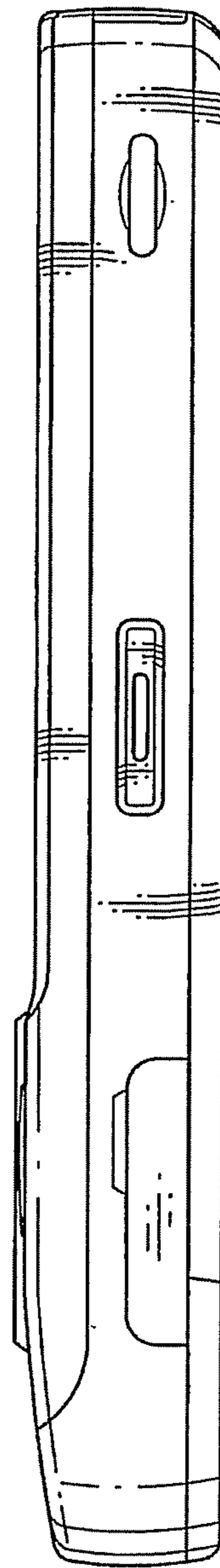


FIG.6

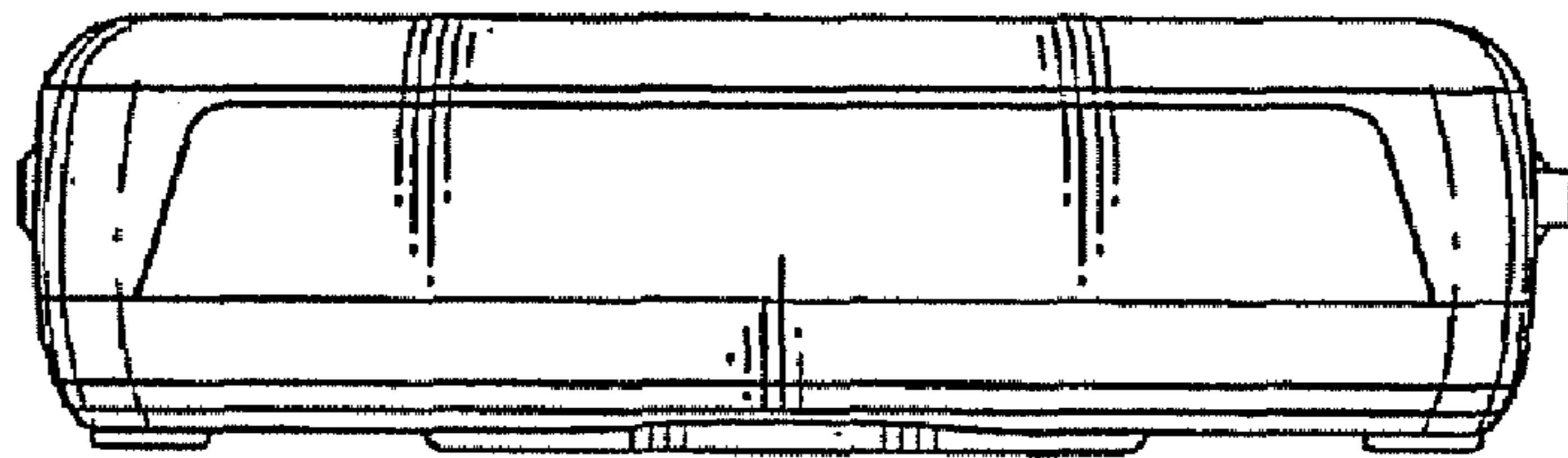


FIG.7

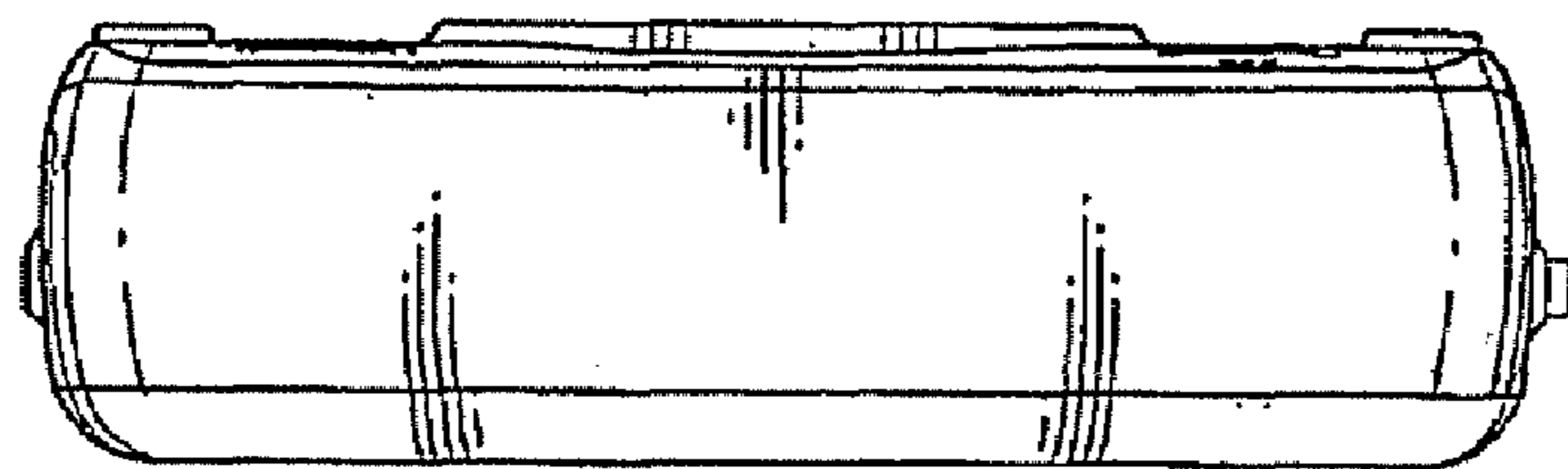


FIG. 8

