



US00D611446S

(12) **United States Design Patent**
Ho

(10) **Patent No.:** **US D611,446 S**
(45) **Date of Patent:** **** Mar. 9, 2010**

(54) **MOBILE PHONE**

(75) Inventor: **Po-Lin Ho**, Taoyuan County (TW)

(73) Assignee: **HTC Corporation**, Taoyuan, Taoyuan County (TW)

(**) Term: **14 Years**

(21) Appl. No.: **29/334,354**

(22) Filed: **Mar. 25, 2009**

(51) **LOC (9) Cl.** **14-03**

(52) **U.S. Cl.** **D14/138 AD**

(58) **Field of Classification Search** D14/138 R,
D14/138 AD, 138 AC, 138 C, 138 G, 191,
D14/203.1–203.8, 496, 138 AA, 138 AB,
D14/247–248, 137, 147, 218, 341–347;
D10/65, 78, 104; D13/168; D18/7; 455/566,
455/575.1, 575.3

See application file for complete search history.

(56) **References Cited**

U.S. PATENT DOCUMENTS

- D526,222 S * 8/2006 Uehara D10/65
- D534,143 S * 12/2006 Lheem D14/138 AD
- D534,515 S * 1/2007 Kim et al. D14/138 AD
- D558,714 S * 1/2008 Kim et al. D14/138 AD
- D558,717 S * 1/2008 Baik et al. D14/138 AD
- D562,287 S 2/2008 Kim et al.
- D563,373 S 3/2008 Suk et al.
- D567,795 S * 4/2008 Cha et al. D14/138 G
- D579,905 S * 11/2008 Kim et al. D14/138 AD
- D579,908 S * 11/2008 Chen D14/138 AD
- D582,382 S * 12/2008 Kim D14/138 AD
- D585,416 S * 1/2009 Kim D14/138 AD
- D590,800 S * 4/2009 Liu D14/138 AD
- D594,836 S * 6/2009 Harju D14/138 AD
- D595,289 S * 6/2009 Horace Luke et al. D14/341
- D597,053 S * 7/2009 Wang D14/138 AD
- D597,518 S * 8/2009 Asmussen D14/138 AD
- D599,763 S * 9/2009 Vuolteenaho et al. D14/138 AD
- D600,230 S * 9/2009 Salmi et al. D14/138 AD
- D601,532 S * 10/2009 Park et al. D14/138 AD

- D601,538 S * 10/2009 Hong D14/138 G
- D602,895 S * 10/2009 Chun D14/138 AD
- 2003/0064688 A1 * 4/2003 Mizuta et al. 455/90
- 2005/0014538 A1 * 1/2005 Hyun et al. 455/575.4
- 2008/0039155 A1 * 2/2008 Kim 455/575.1
- 2008/0225109 A1 * 9/2008 Lee 348/14.02
- 2008/0266289 A1 * 10/2008 Park 345/419
- 2009/0143115 A1 * 6/2009 Chen 455/575.1

FOREIGN PATENT DOCUMENTS

- TW D124420 8/2008
- TW D126838 1/2009
- TW D127640 3/2009

(Continued)

OTHER PUBLICATIONS

Asus P320, announced Mar. 2008, [online], [retrieved on May 14, 2008]. Retrieved from Internet ,<URL: <http://www.gsmarena.com>>.*

(Continued)

Primary Examiner—Jeffrey D Asch
Assistant Examiner—Bridget L Eland
(74) *Attorney, Agent, or Firm*—Birch, Stewart, Kolasch & Birch, LLP

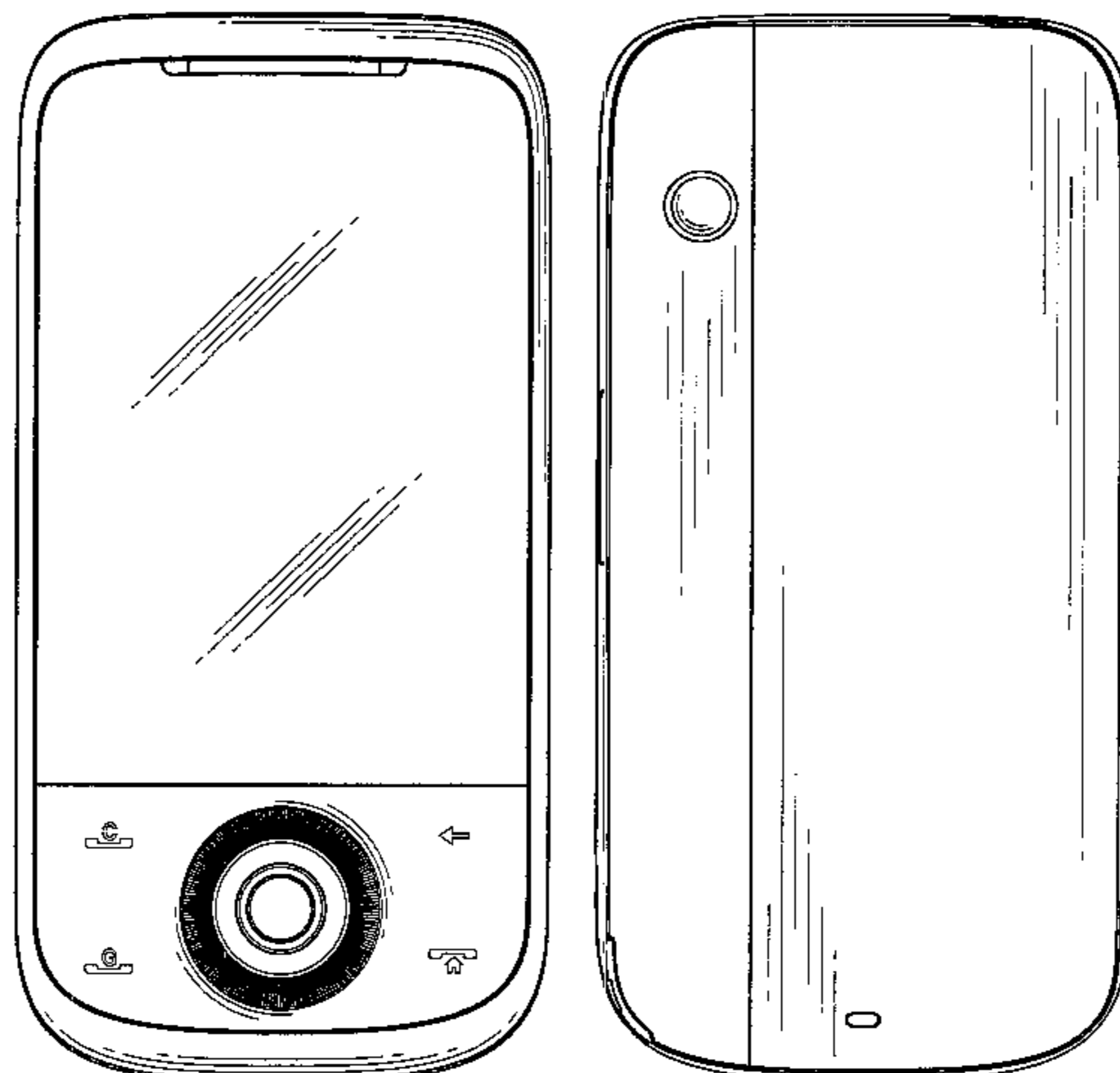
(57) **CLAIM**

The ornamental design for mobile phone, as shown and described.

DESCRIPTION

FIG. 1 is a front perspective view thereof;
FIG. 2 is a front side view thereof;
FIG. 3 is a rear side view thereof;
FIG. 4 is a left side view thereof;
FIG. 5 is a right side view thereof;
FIG. 6 is a top plan view thereof;
FIG. 7 is a bottom plan view thereof; and,
FIG. 8 is a rear perspective view thereof.

1 Claim, 5 Drawing Sheets



FOREIGN PATENT DOCUMENTS

TW D129743 7/2009

OTHER PUBLICATIONS

Huawei U3300, announced 2nd quarter 2008, [online], [retrieved on Feb. 20, 2009]. Retrieved from Internet ,<URL: <http://www.gsmarena.com>>.*

LG KE500, announced Jul. 2007, [online], [retrieved on Sep. 15, 2007]. Retrieved from Internet ,<URL: <http://www.gsmarena.com>>.*

Nokia 2680 slide, announced Apr. 2008, [online], [retrieved on Apr. 4, 2008]. Retrieved from Internet ,<URL: <http://www.gsmarena.com>>.*

Sony Ericsson W760, announced Jan. 2008, [online], [retrieved on Jan. 18, 2008]. Retrieved from Internet ,<URL: <http://www.gsmarena.com>>.*

T-Mobile MDA Vario IV, announced Jun. 2008, [online], [retrieved on Nov. 18, 2008]. Retrieved from Internet ,<URL: <http://www.gsmarena.com>>.*

Gigabyte g-Smart MW700, announced Feb. 2008, [online], [retrieved on Apr. 4, 2008]. Retrieved from Internet ,<URL: <http://www.gsmarena.com>>.*

Vodafone 228, announced Feb. 2008, [online], [retrieved on Jul. 14, 2008]. Retrieved from Internet ,<URL: <http://www.gsmarena.com>>.*

* cited by examiner

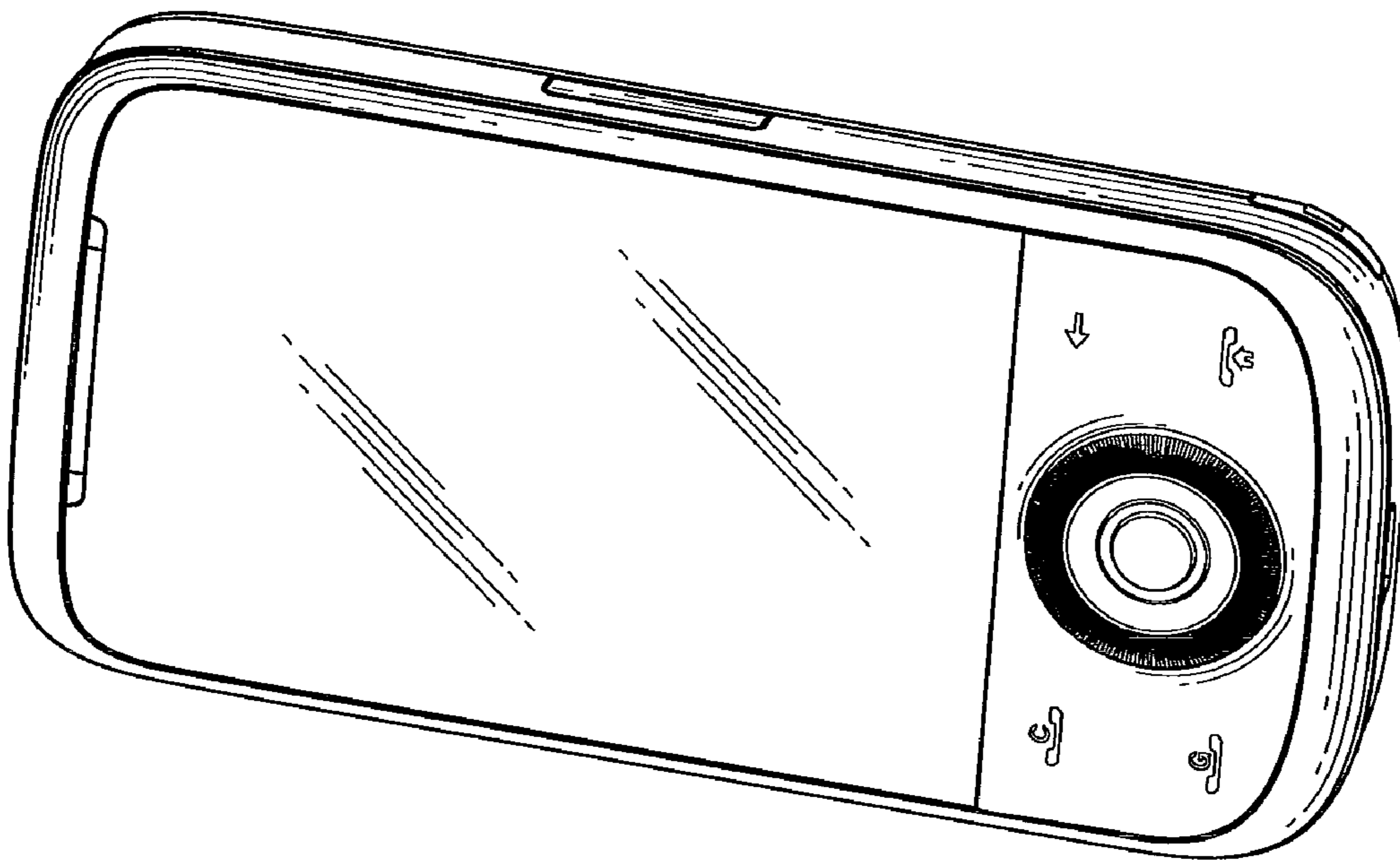


FIG. 1

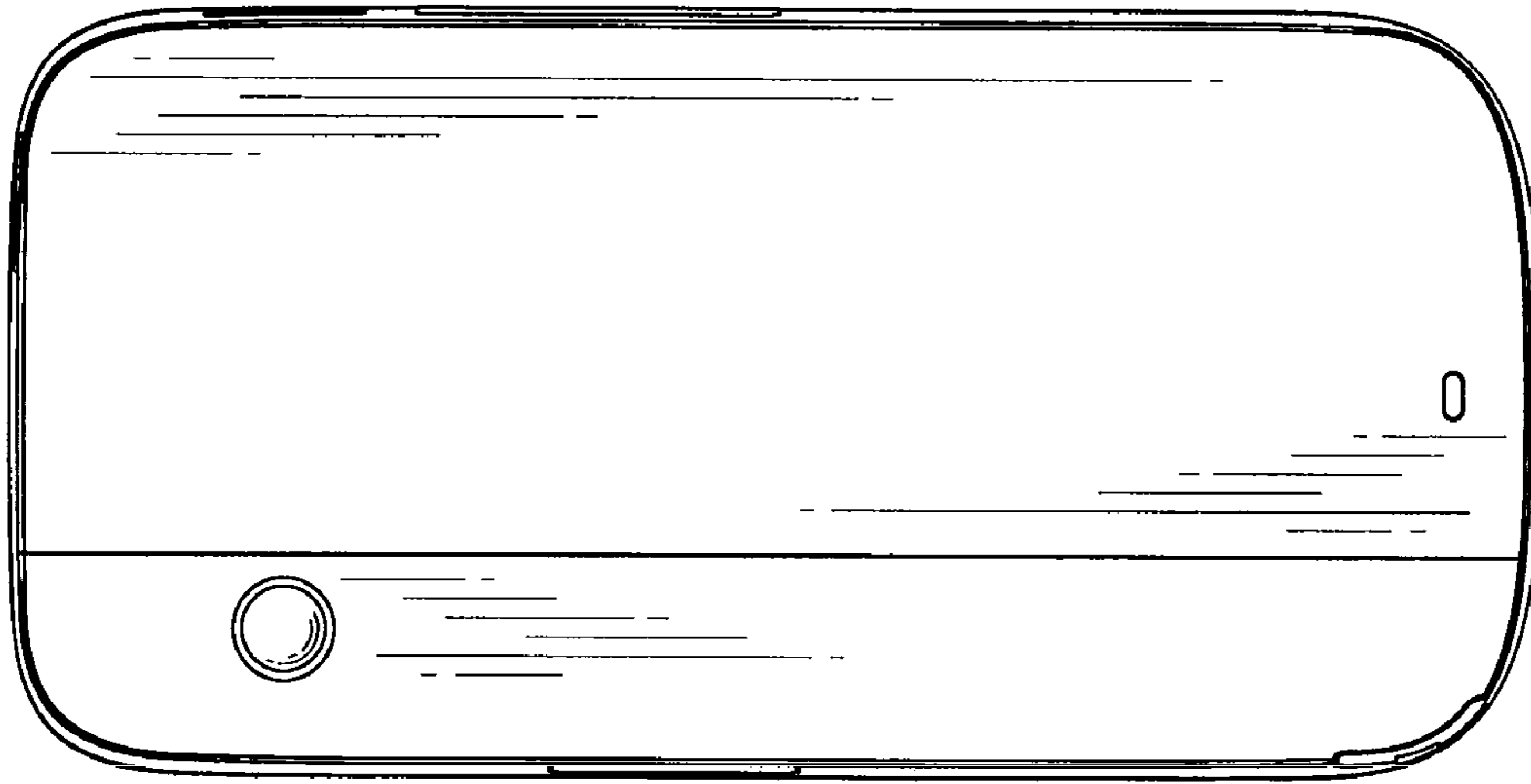


FIG. 3

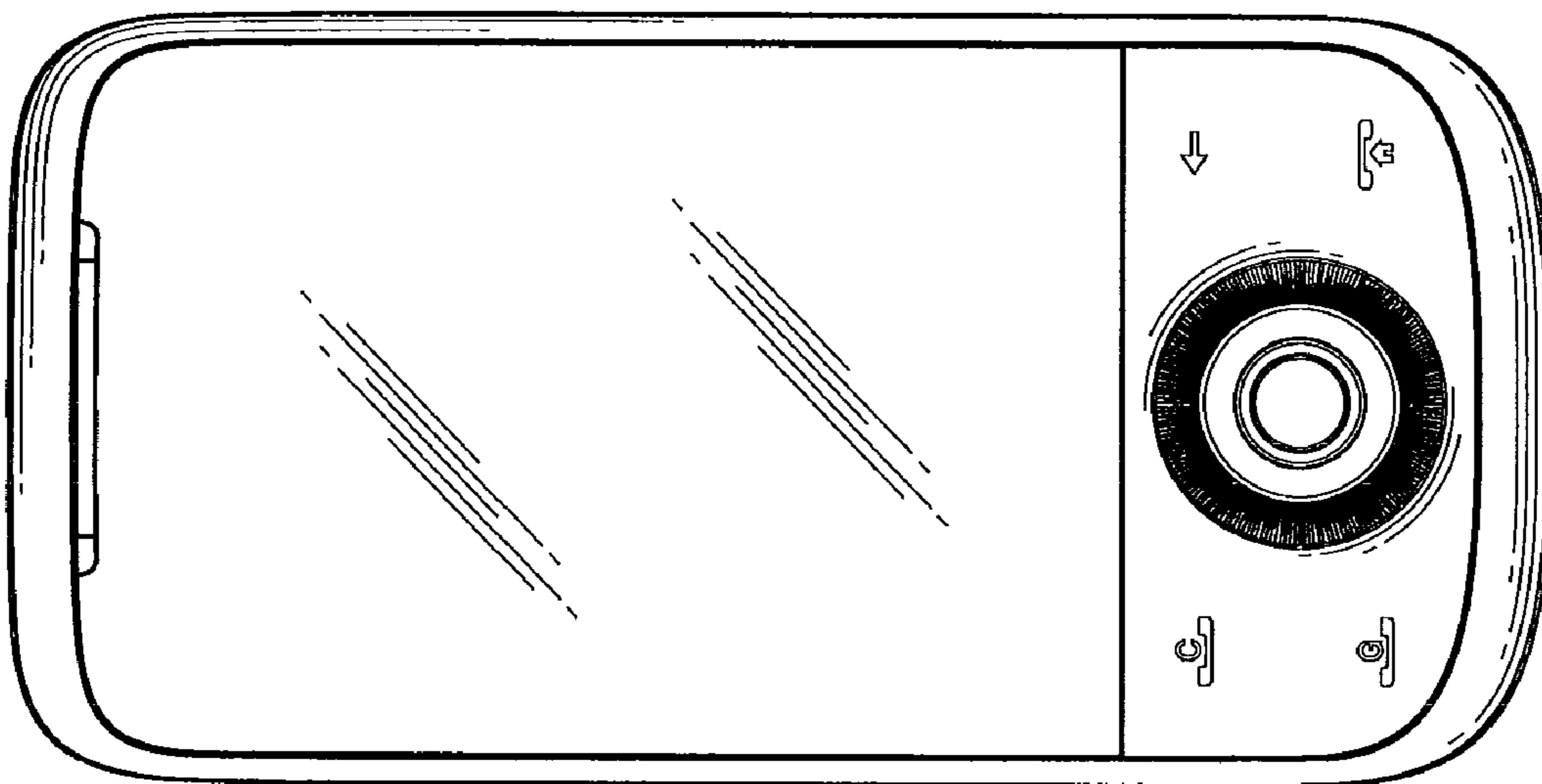


FIG. 2

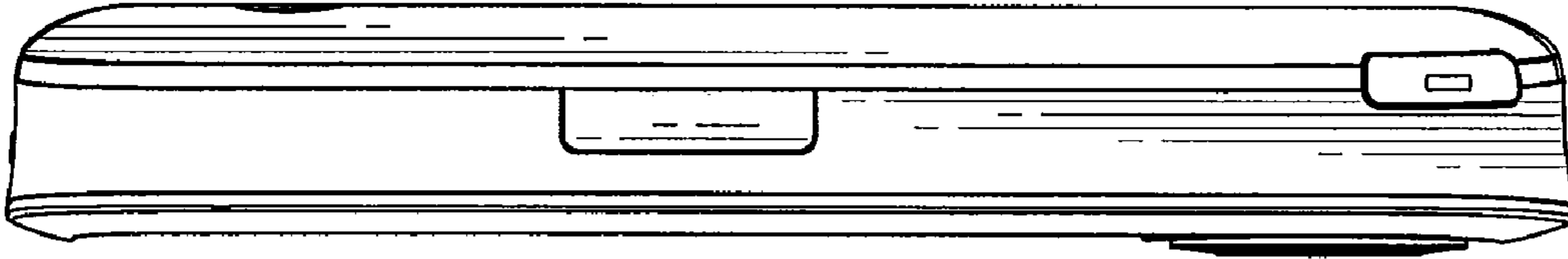


FIG. 5

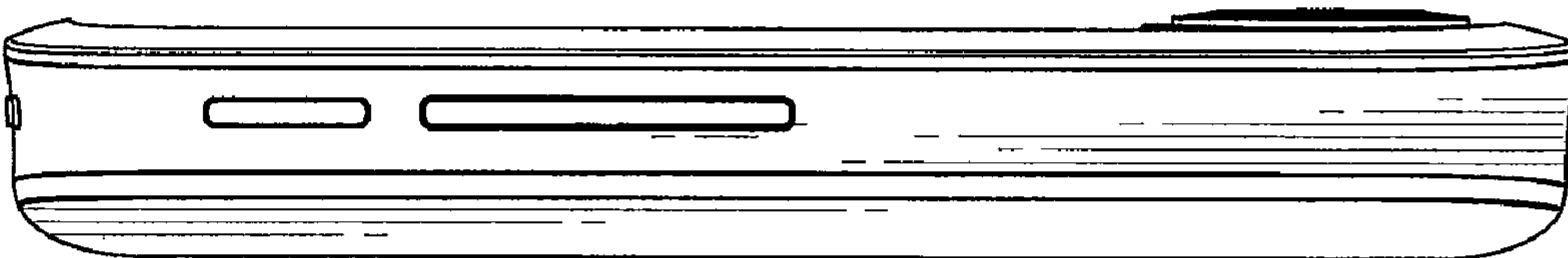


FIG. 4



FIG. 6

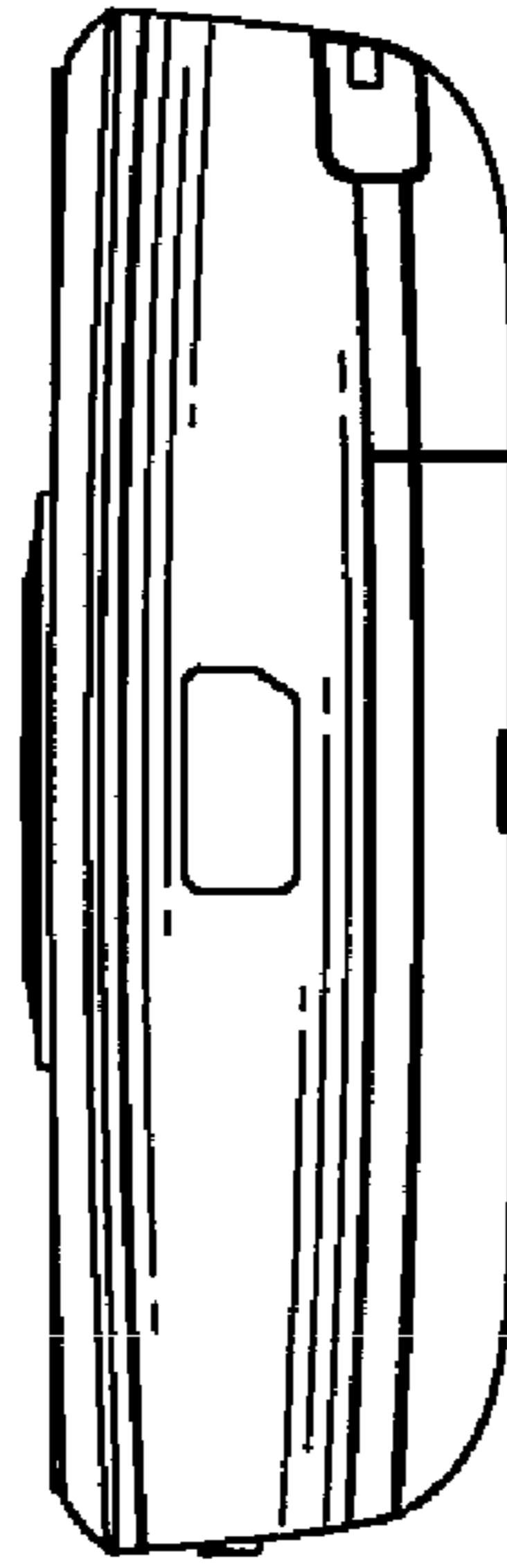


FIG. 7

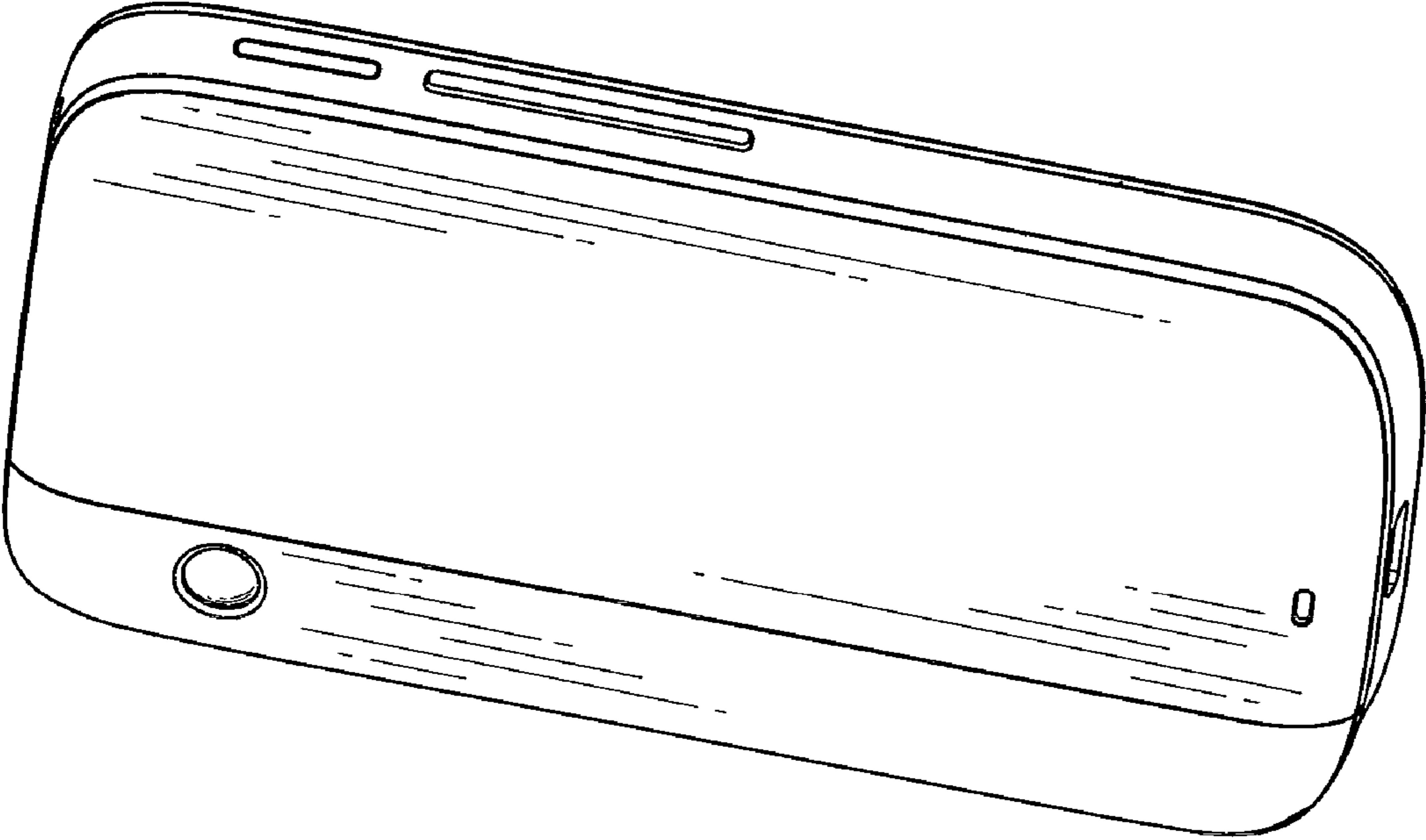


FIG. 8