



US00D611436S

(12) **United States Design Patent**
Ho

(10) **Patent No.:** **US D611,436 S**
(45) **Date of Patent:** **** Mar. 9, 2010**

(54) **PLANAR ILLUMINATING LED MODULE**

(75) Inventor: **Li-Jen Ho**, Chung-Ho (TW)

(73) Assignee: **Edison Opto Corporation**, Taipei (TW)

(**) Term: **14 Years**

(21) Appl. No.: **29/341,973**

(22) Filed: **Aug. 16, 2009**

(51) **LOC (9) Cl.** **13-03**

(52) **U.S. Cl.** **D13/180**

(58) **Field of Classification Search** D13/180;
D26/2; 257/79, 80, 81, 88, 89, 95, 98, 99,
257/100, E33.058; 313/483, 498, 500; 362/555,
362/800

See application file for complete search history.

(56) **References Cited**

U.S. PATENT DOCUMENTS

4,713,579	A *	12/1987	Miura	313/500
6,498,592	B1 *	12/2002	Matthies	345/1.1
D522,974	S *	6/2006	Egawa	D13/180
7,108,392	B2 *	9/2006	Strip et al.	362/145
D542,239	S *	5/2007	Egawa	D13/180

D575,245 S * 8/2008 Yen D13/180
D586,764 S * 2/2009 Uemoto et al. D13/180

* cited by examiner

Primary Examiner—Selina Sikder

(74) *Attorney, Agent, or Firm*—Chun-Ming Shih

(57) **CLAIM**

The ornamental design for a planar illuminating LED module, as shown and described.

DESCRIPTION

FIG. 1 is a perspective view of a planar illuminating LED module showing my new design;

FIG. 2 is a front view thereof;

FIG. 3 is a rear view thereof;

FIG. 4 is a left side view thereof;

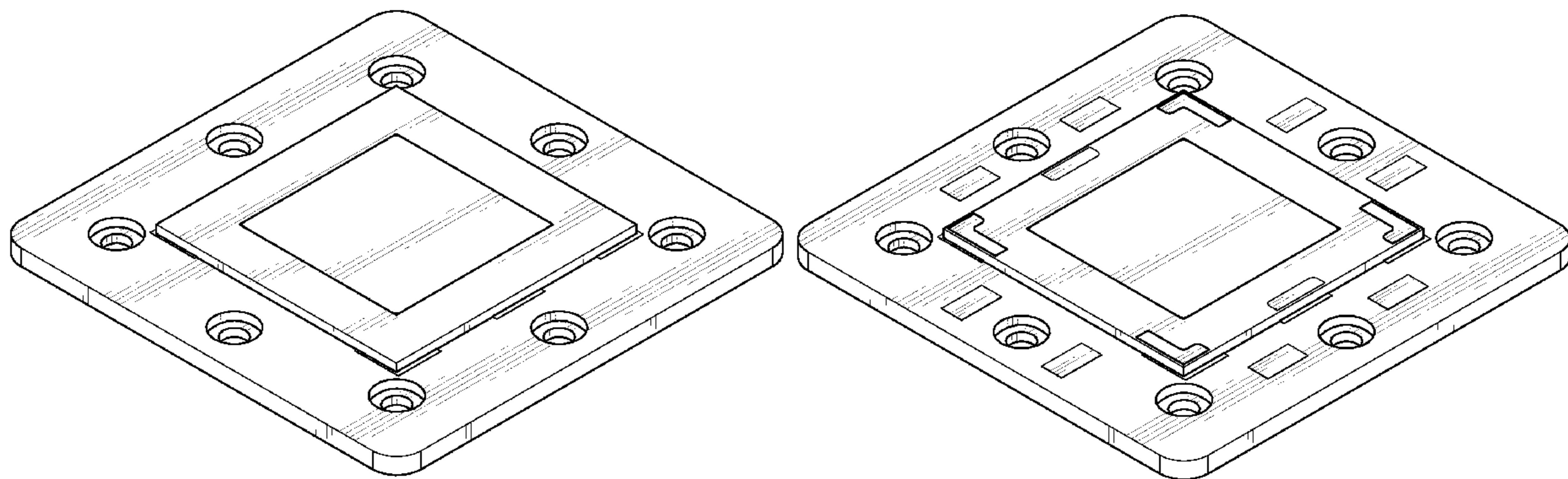
FIG. 5 is a right side view thereof;

FIG. 6 is a top view thereof;

FIG. 7 is a bottom view thereof; and,

FIG. 8 is a perspective view showing the planar illuminating LED module in use.

1 Claim, 6 Drawing Sheets



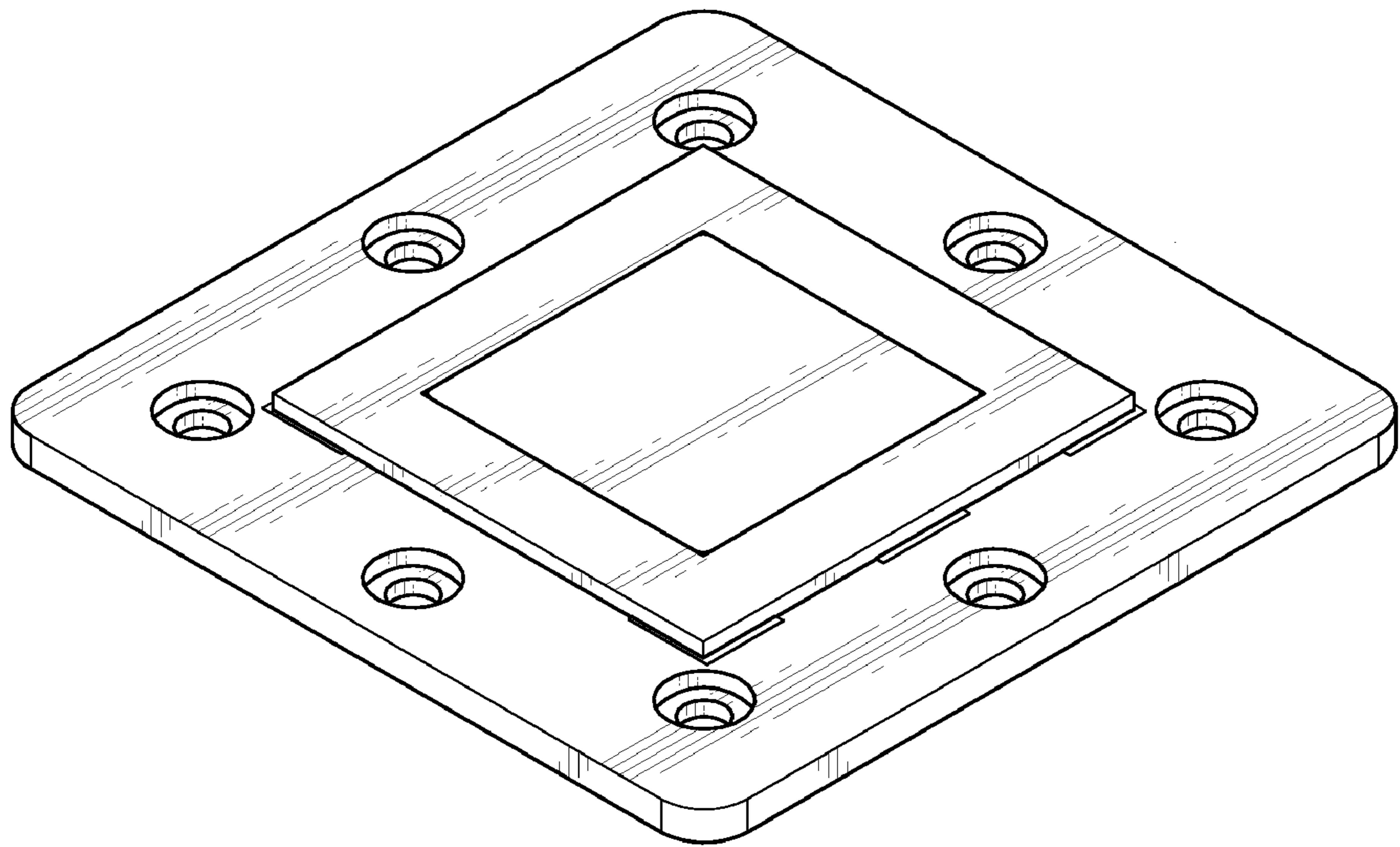


FIG.1

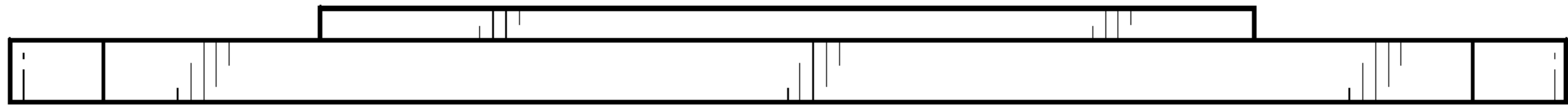


FIG. 2

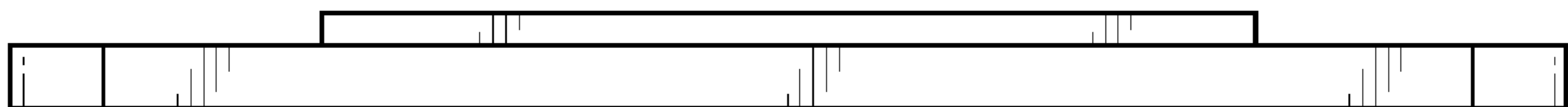


FIG. 3

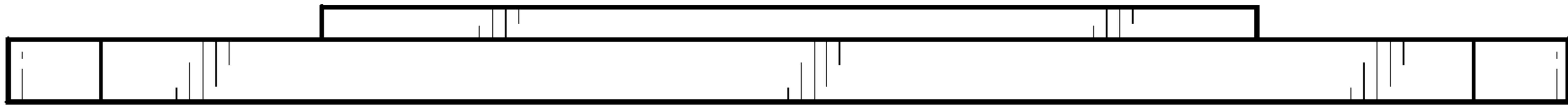


FIG.4

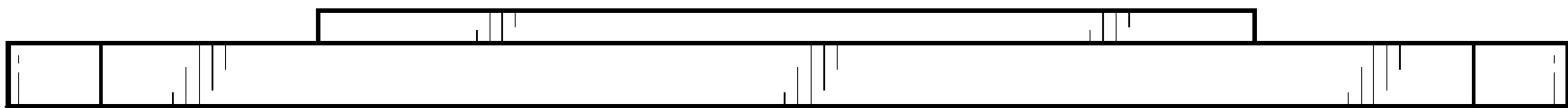


FIG.5

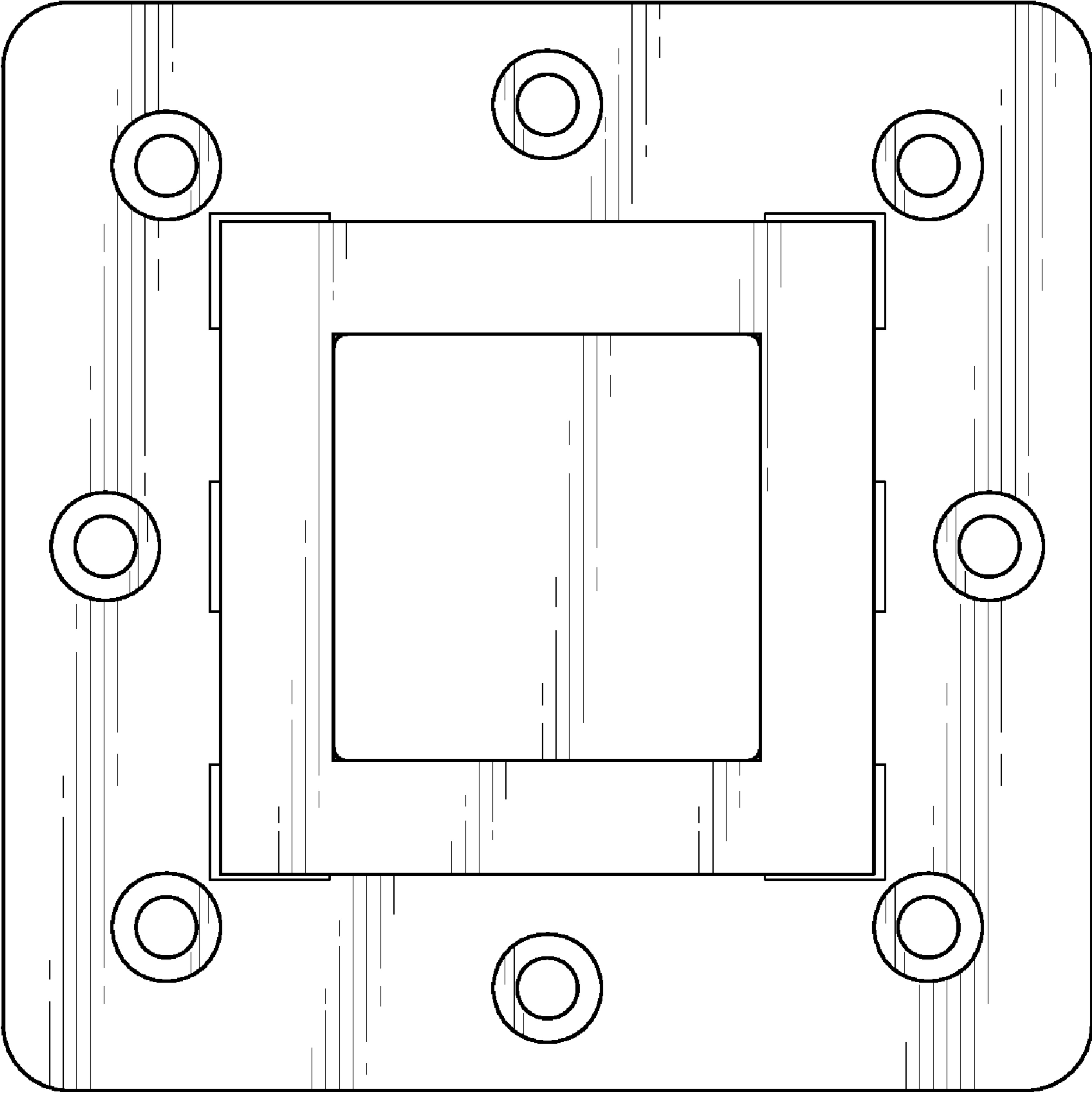


FIG.6

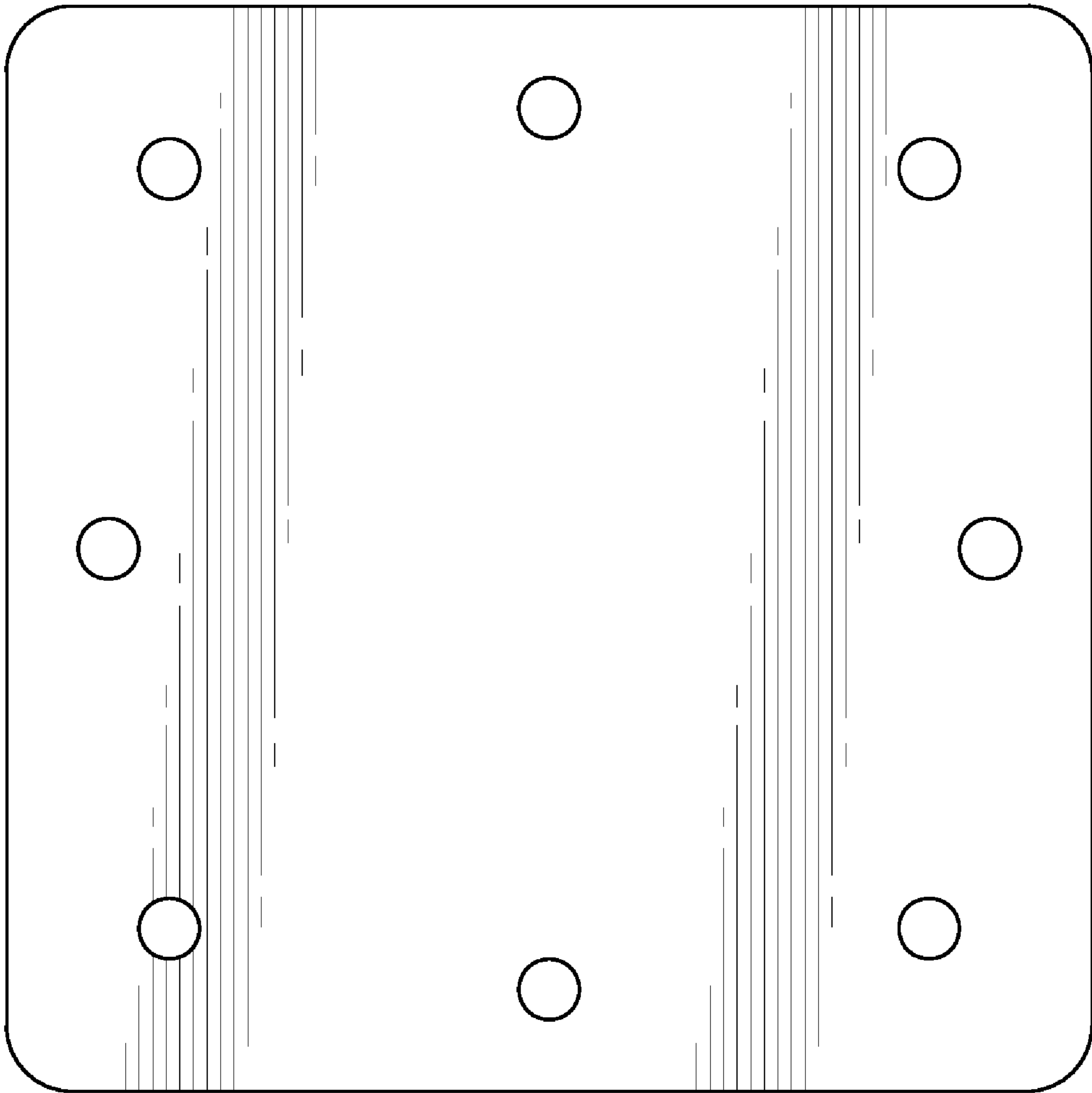


FIG.7

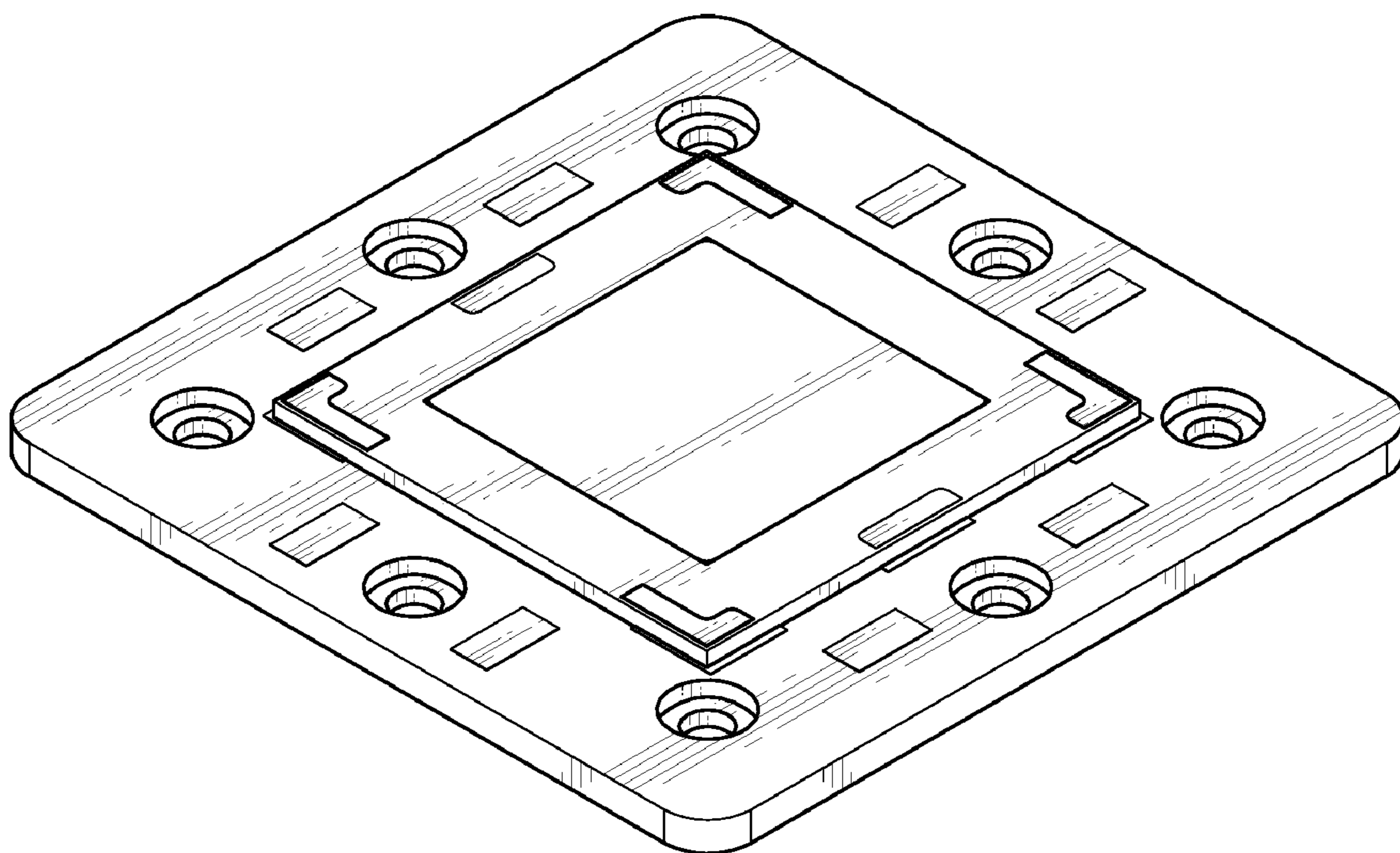


FIG.8