



US00D611435S

(12) **United States Design Patent**  
**Hsieh**

(10) **Patent No.:** **US D611,435 S**  
(45) **Date of Patent:** **\*\* Mar. 9, 2010**

(54) **LIGHT EMITTING DIODE**  
(75) Inventor: **Chung-Chuan Hsieh**, Tucheng (TW)  
(73) Assignee: **Everlight Electronics Co., Ltd.**,  
Tucheng (TW)  
(\*\*) Term: **14 Years**  
(21) Appl. No.: **29/338,668**  
(22) Filed: **Jun. 16, 2009**  
(30) **Foreign Application Priority Data**  
Dec. 23, 2008 (TW) ..... 97307231  
(51) **LOC (9) Cl.** ..... **13-03**  
(52) **U.S. Cl.** ..... **D13/180**  
(58) **Field of Classification Search** ..... D13/180;  
D26/2; 257/79, 80, 81, 88, 89, 95, 98, 99,  
257/100, E33.058; 313/483, 498, 500; 362/555,  
362/800  
See application file for complete search history.

KR 30-0410943 4/2006  
KR 30-0419278-1 9/2006  
KR 30-0433055 12/2006  
KR 30-0444116 3/2007  
KR 30-0464944 10/2007  
KR 30-0471433 11/2007

**OTHER PUBLICATIONS**

Taiwanese Search Report dated Oct. 8, 2009 issued in related Taiwanese Patent Application No. 97307231.

\* cited by examiner

*Primary Examiner*—Selina Sikder  
(74) *Attorney, Agent, or Firm*—Grossman, Tucker, Perreault & Pflieger, PLLC

(57) **CLAIM**

The ornamental design for a light emitting diode, as shown and described.

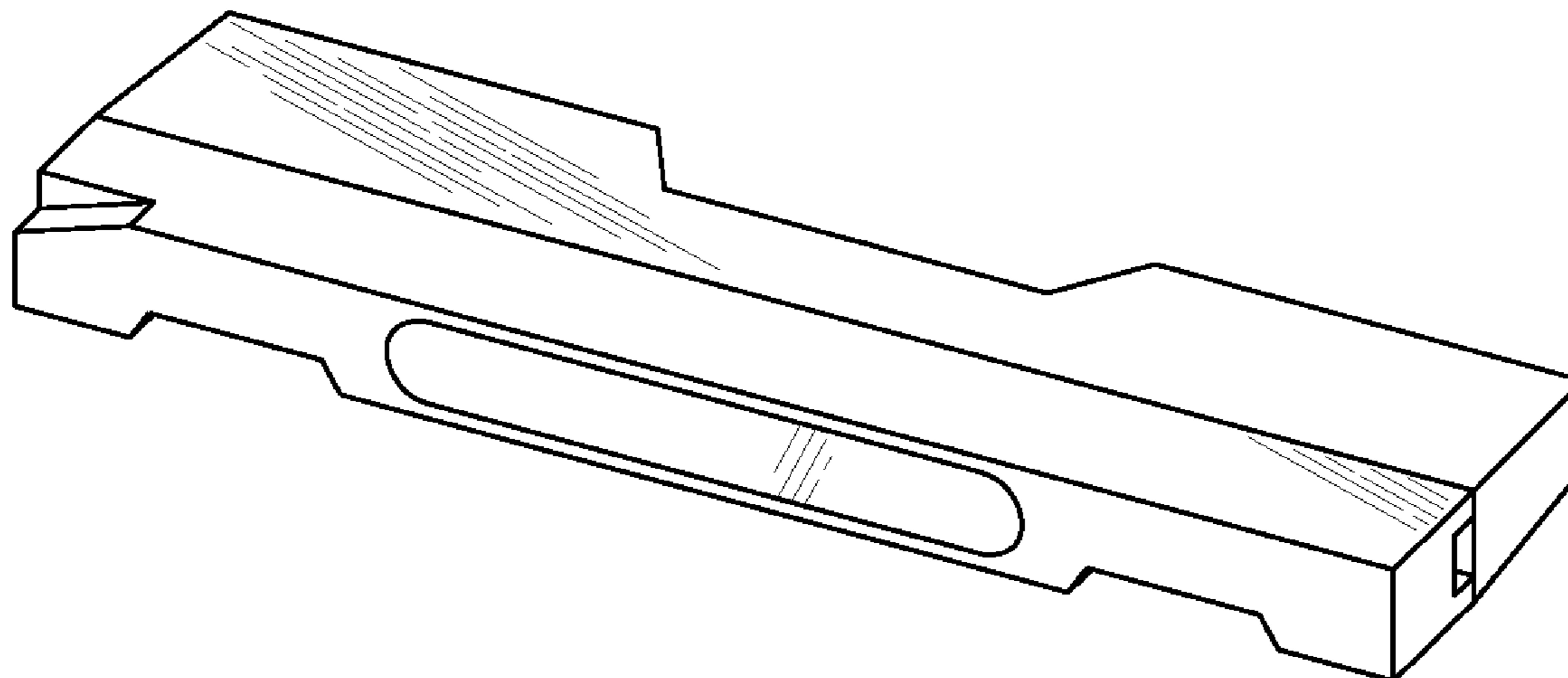
**DESCRIPTION**

FIG. 1 is a front perspective view of a light emitting diode showing the claimed design;  
FIG. 2 is a rear perspective view thereof;  
FIG. 3 is a front elevational view thereof;  
FIG. 4 is a rear elevational view thereof;  
FIG. 5 is a left side elevational view thereof;  
FIG. 6 is a right side elevational view thereof;  
FIG. 7 is a top plan view thereof; and,  
FIG. 8 is a bottom plan view thereof.

(56) **References Cited**  
**U.S. PATENT DOCUMENTS**  
D500,294 S \* 12/2004 Ishida ..... D13/180  
6,953,952 B2 \* 10/2005 Asakawa ..... 257/103  
D538,760 S \* 3/2007 Song et al. .... D13/180  
D549,187 S \* 8/2007 Park et al. .... D13/180  
D566,664 S \* 4/2008 Kong ..... D13/180  
D573,549 S \* 7/2008 Kong ..... D13/180

**FOREIGN PATENT DOCUMENTS**  
KR 30-0364186 10/2004

**1 Claim, 5 Drawing Sheets**



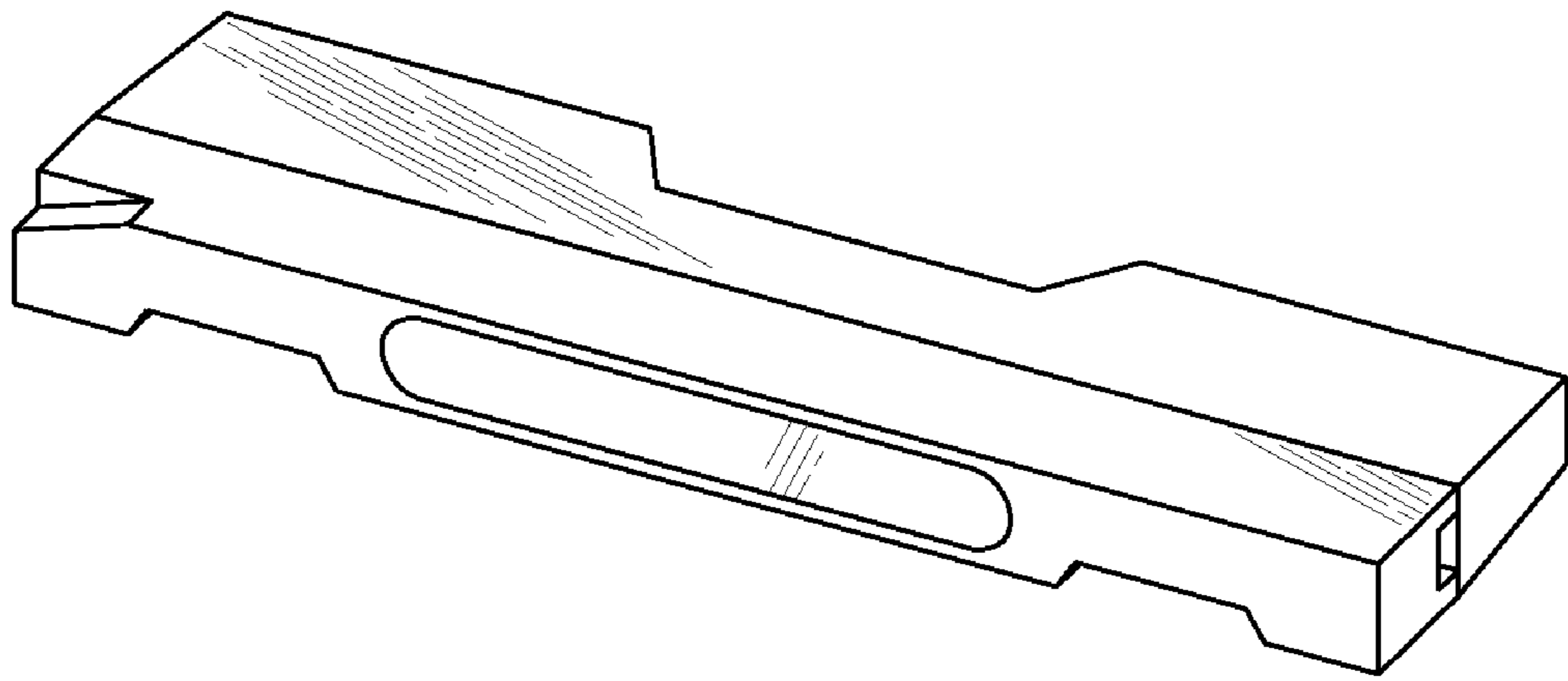


FIG. 1

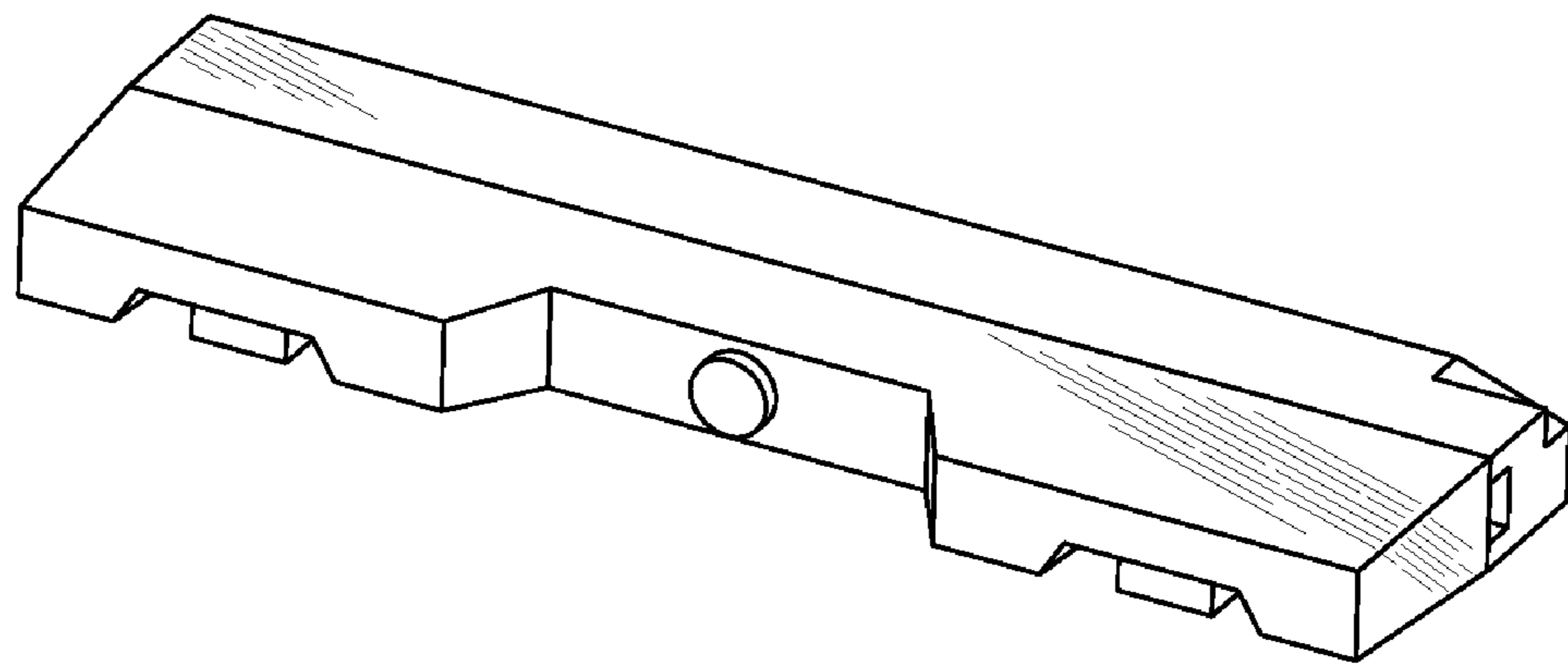


FIG. 2

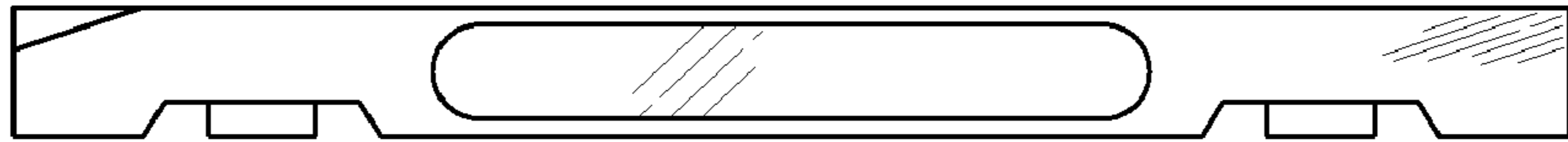


FIG. 3

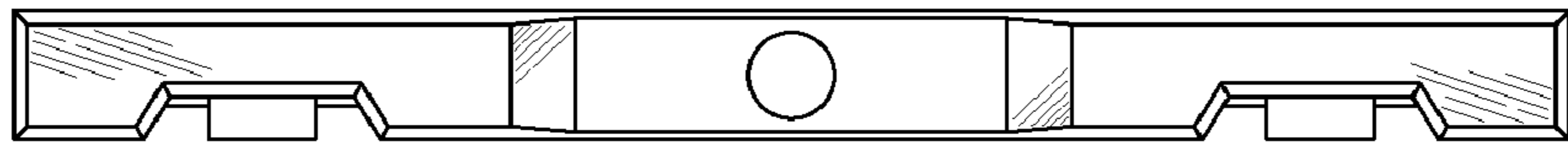


FIG. 4

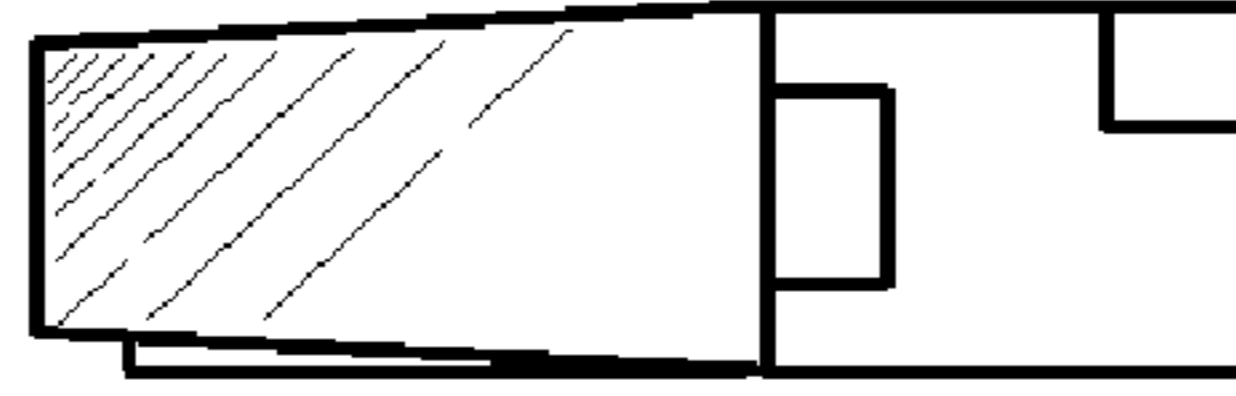


FIG. 5

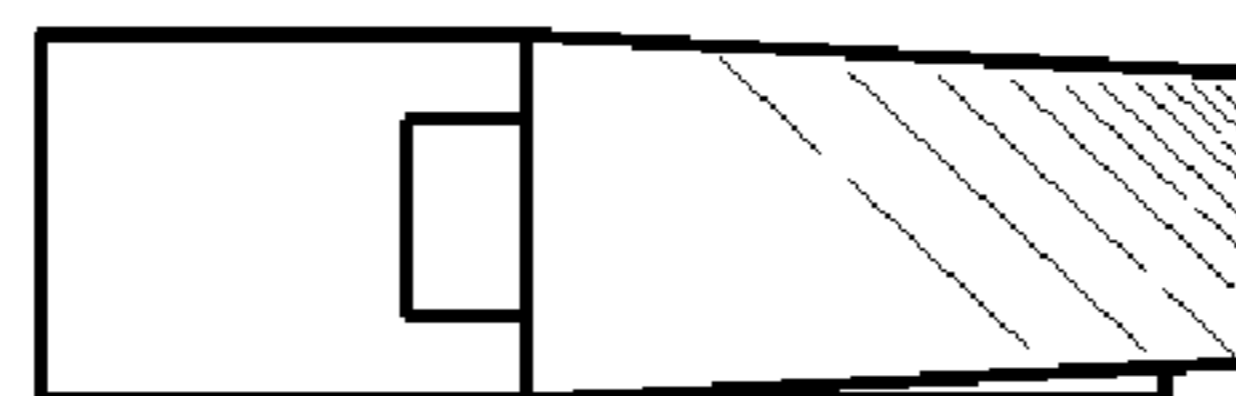


FIG. 6

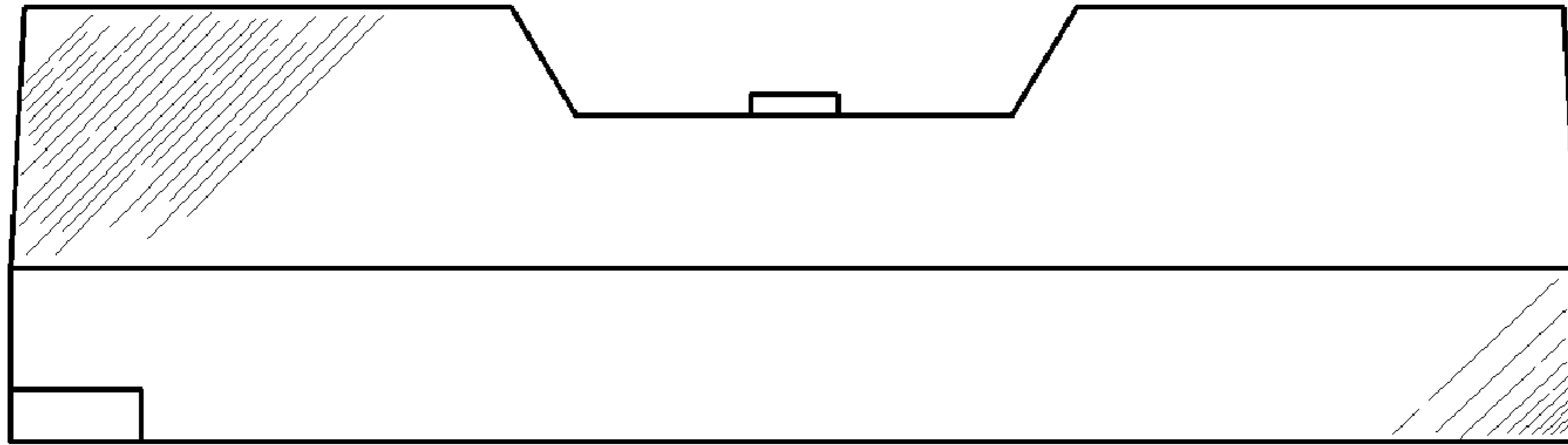


FIG. 7

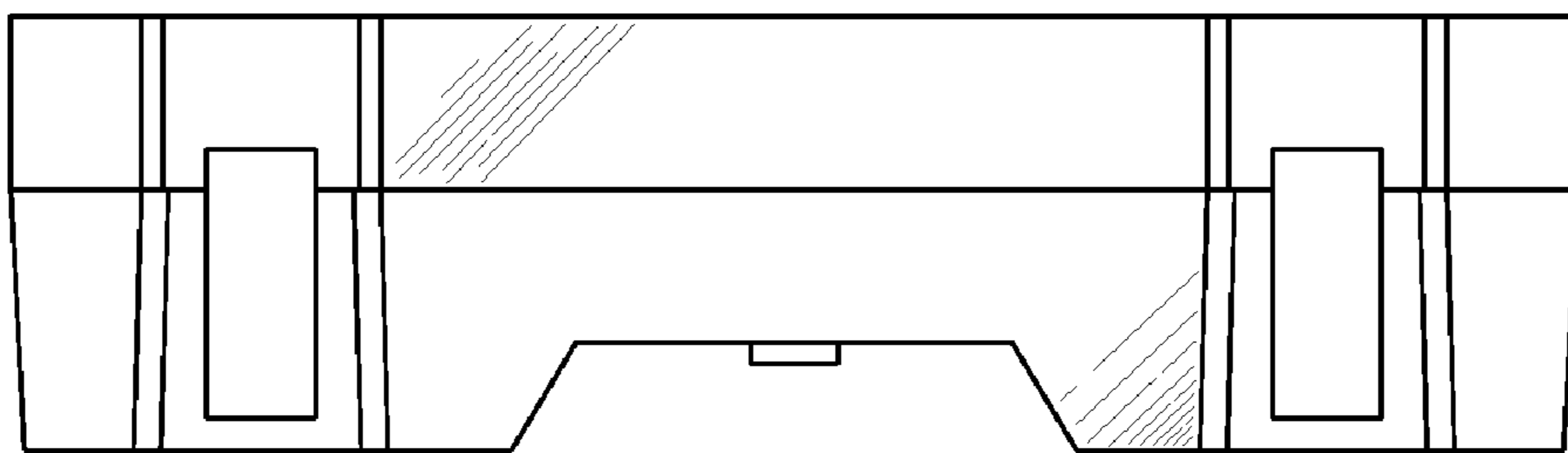


FIG. 8