



US00D611432S

(12) **United States Design Patent**  
**Ducret**

(10) **Patent No.:** **US D611,432 S**  
(45) **Date of Patent:** **\*\* Mar. 9, 2010**

(54) **REMOTE CONTROL**

(75) Inventor: **Jean Ducret**, Valay (FR)

(73) Assignee: **SIMU**, Gray (FR)

(\*\*) Term: **14 Years**

(21) Appl. No.: **29/338,424**

(22) Filed: **Jun. 11, 2009**

(30) **Foreign Application Priority Data**

Dec. 18, 2008 (EM) ..... 001057772-0001

(51) **LOC (9) Cl.** ..... **14-03**

(52) **U.S. Cl.** ..... **D13/168**

(58) **Field of Classification Search** ..... D13/168;  
D10/104, 106; D14/218, 247; 340/825.22,  
340/825.24, 825.25, 825.31, 825.36, 825.69,  
340/825.72; 341/76; 455/352

See application file for complete search history.

(56) **References Cited**

**U.S. PATENT DOCUMENTS**

D531,137 S \* 10/2006 Wu ..... D13/168

D546,782 S \* 7/2007 Poulet et al. .... D13/168

D548,195 S \* 8/2007 Poulet ..... D13/168

D556,154 S \* 11/2007 Poulet et al. .... D13/168

D559,201 S \* 1/2008 Oh et al. .... D13/168

D559,202 S \* 1/2008 Sim et al. .... D13/168

D569,813 S \* 5/2008 Charleux et al. .... D13/168

\* cited by examiner

*Primary Examiner*—Selina Sikder

(74) *Attorney, Agent, or Firm*—Frommer Lawrence & Haug  
LLP; Ronald R. Santucci

(57) **CLAIM**

The ornamental design for a remote control, as shown and  
described.

**DESCRIPTION**

FIG. 1 is a front elevational view of the remote control;

FIG. 2 is a right elevational view thereof;

FIG. 3 is a left elevational view thereof;

FIG. 4 is a bottom plan view thereof;

FIG. 5 is a top plan view thereof;

FIG. 6 is a rear elevational view thereof; and,

FIG. 7 is a front perspective view thereof.

**1 Claim, 2 Drawing Sheets**

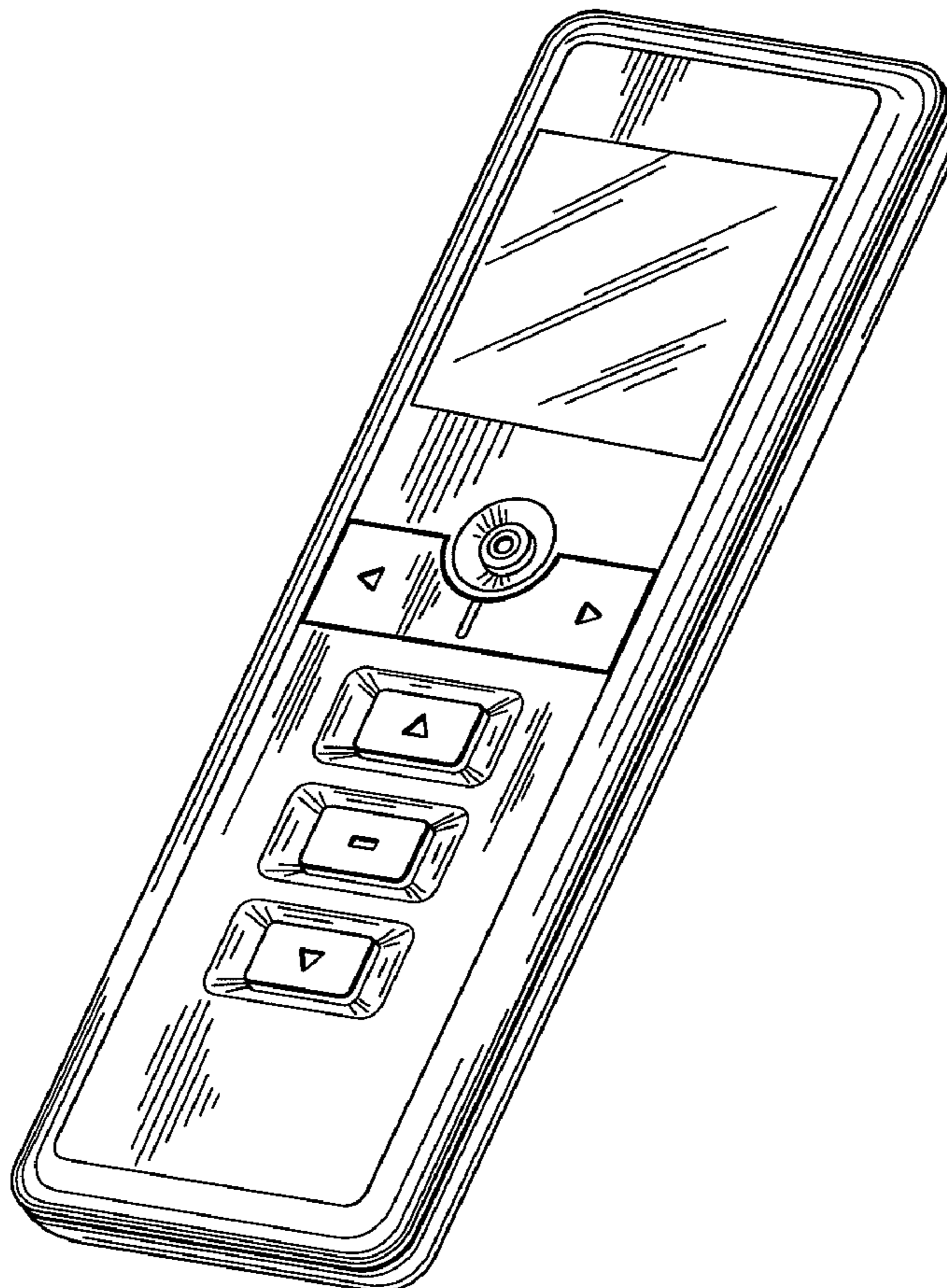


Fig. 2

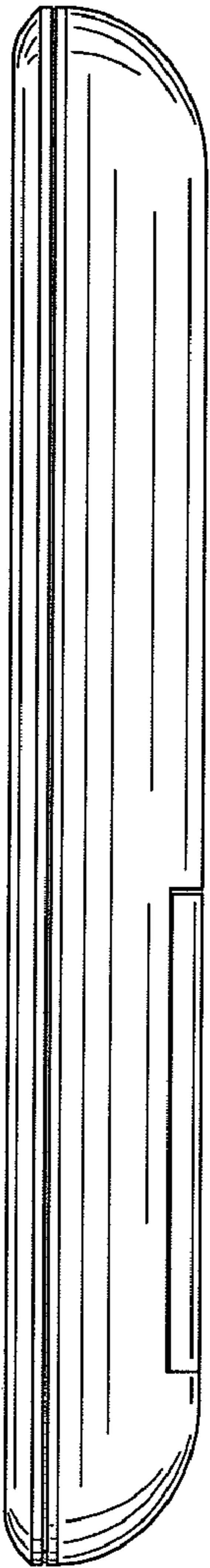


Fig. 1

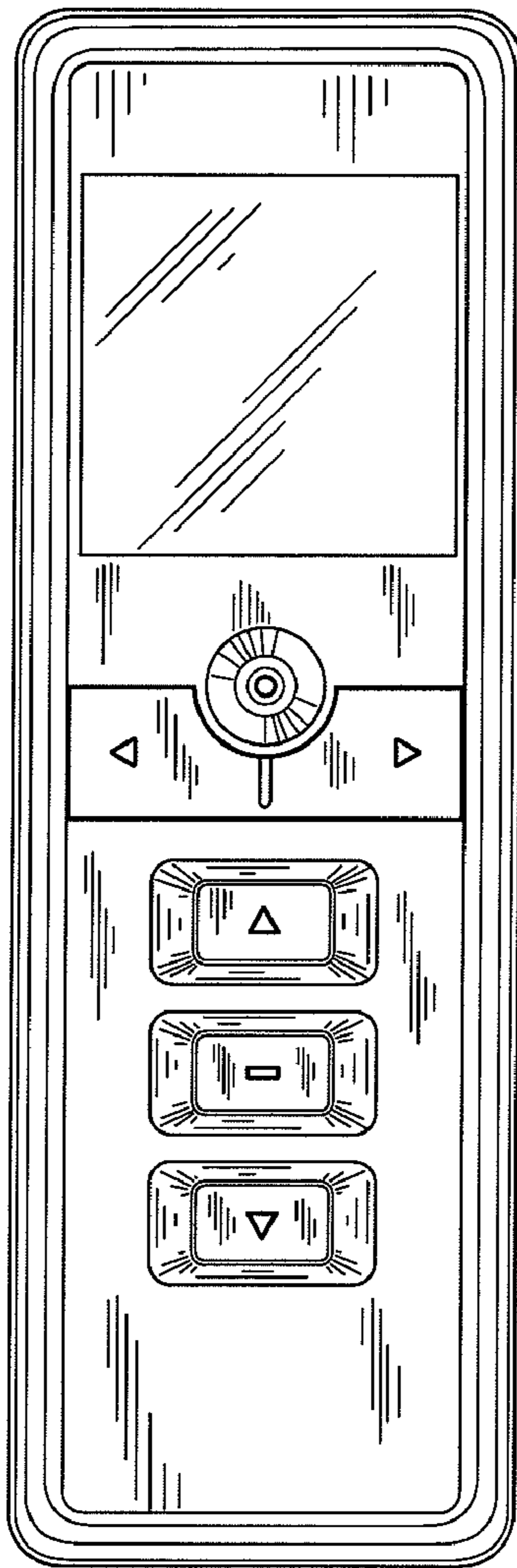


Fig. 4

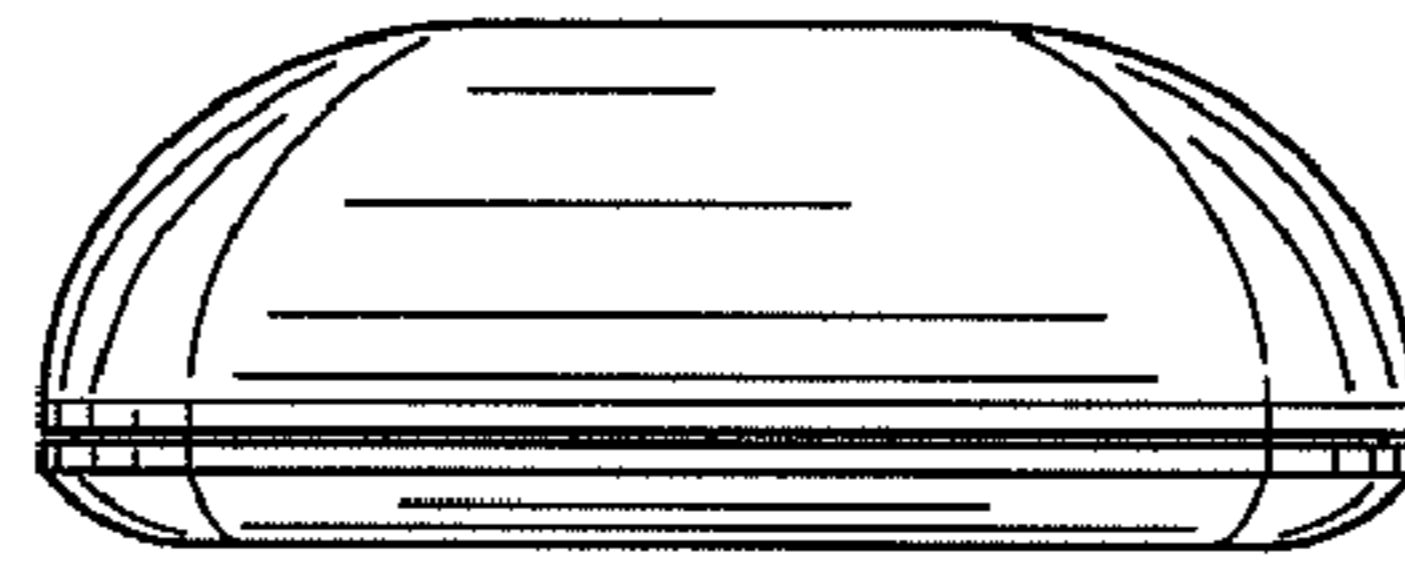


Fig. 3

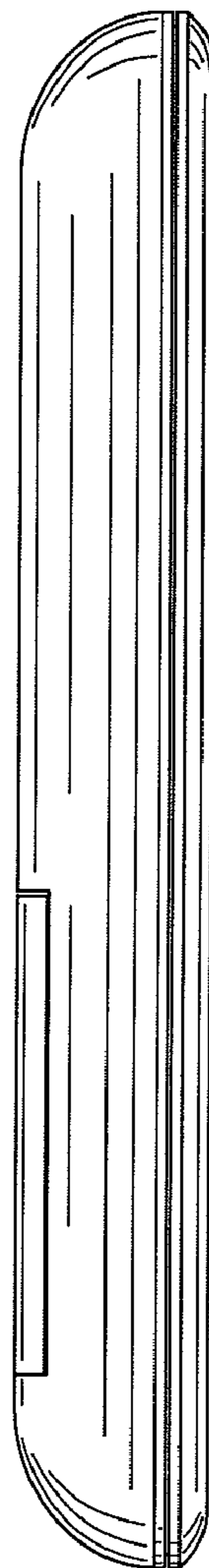
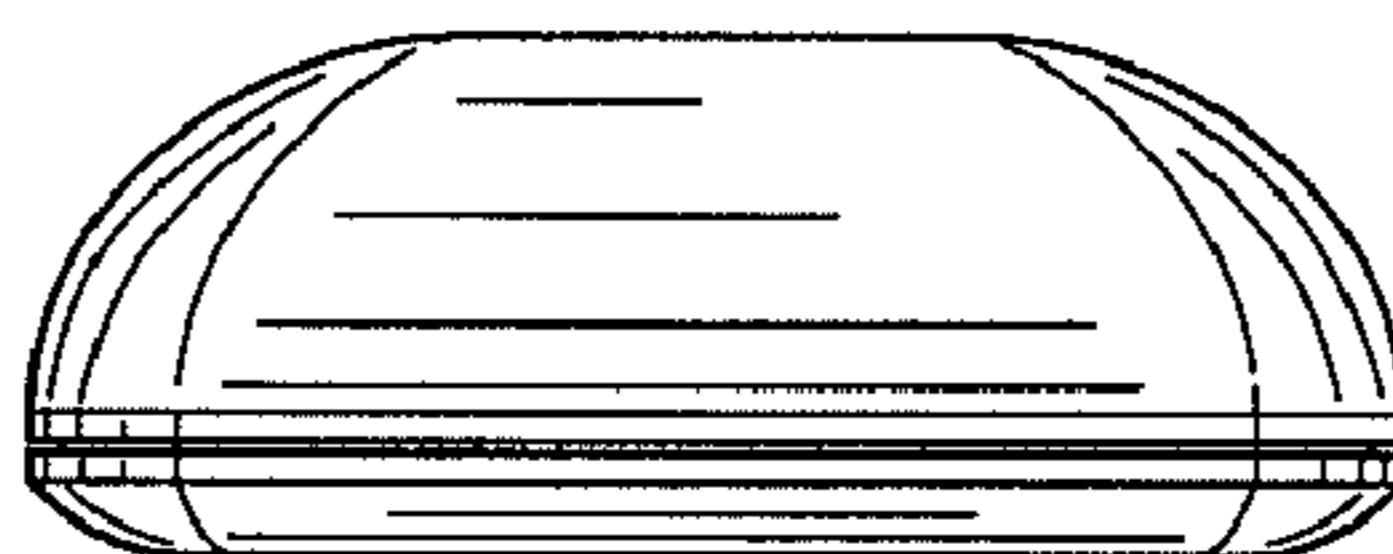


Fig. 5



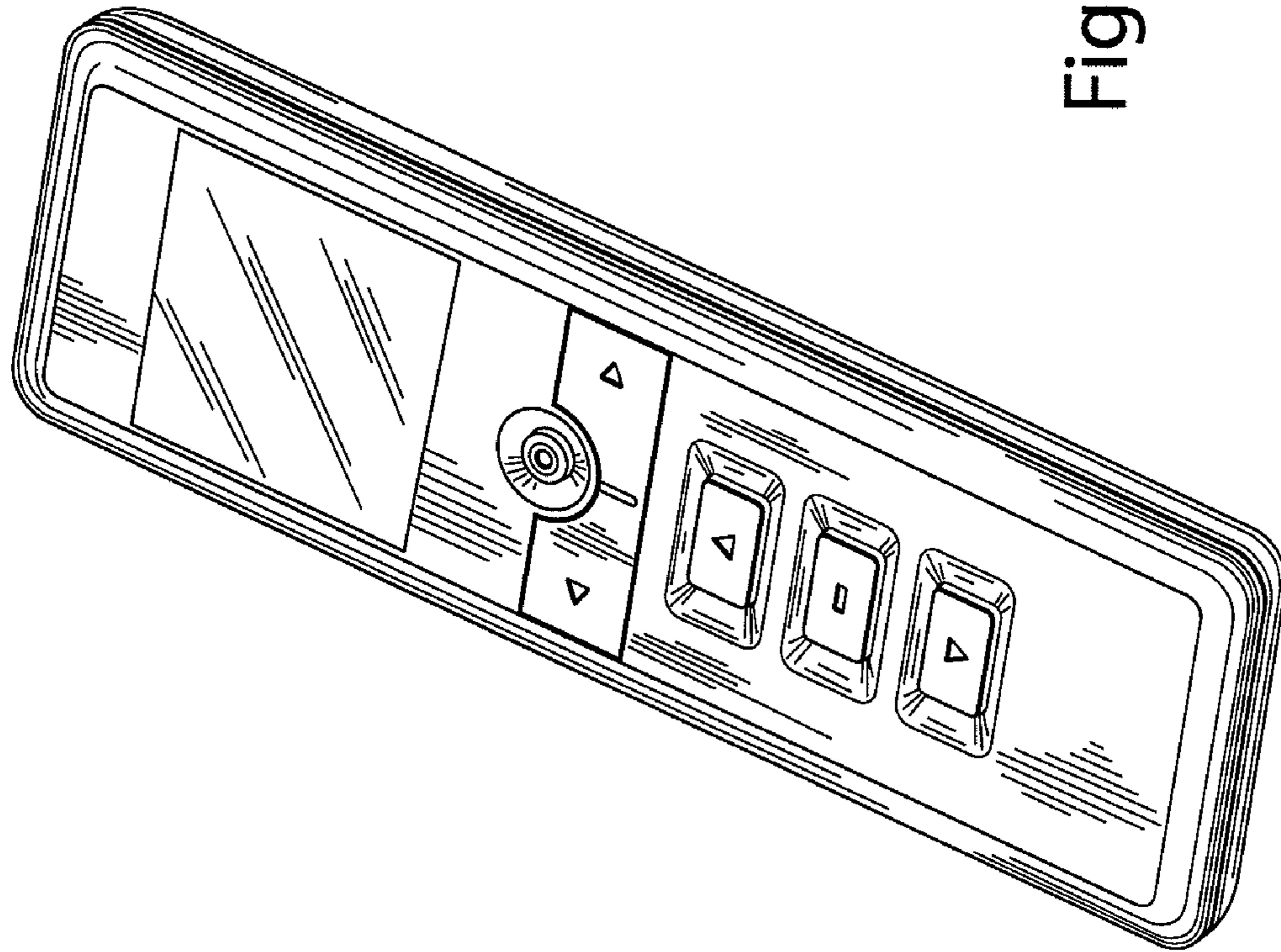


Fig. 7

Fig. 6

