



US00D611430S

(12) **United States Design Patent**  
**Stiles, Jr. et al.**

(10) **Patent No.:** **US D611,430 S**  
(45) **Date of Patent:** **\*\* Mar. 9, 2010**

(54) **PUMP CONTROL PAD**

(75) Inventors: **Robert W. Stiles, Jr.**, Cary, NC (US);  
**Lars Hoffmann Berthelsen**, Kolding  
(DK); **Gert Kjaer**, Soenderborg (DK);  
**Arne Fink Hansen**, Graasten (DK)

(73) Assignees: **Pentair Water Pool and Spa, Inc.**,  
Sanford, NC (US); **Danfoss Low Power**  
**Drives, a division of Danfoss Drives**  
A/S, Graasten (DK)

D334,542 S *	4/1993	Lowe et al.	.....	D10/104
D359,458 S *	6/1995	Pierret et al.	.....	D10/50
D363,060 S *	10/1995	Hunger et al.	.....	D13/177
D375,908 S *	11/1996	Schumaker et al.	.....	D10/49
D429,699 S *	8/2000	Davis et al.	.....	D13/162
D490,726 S *	6/2004	Eungprabhanth et al.	....	D10/49
D512,026 S *	11/2005	Nurmi et al.	.....	D13/162
D533,512 S *	12/2006	Nakashima et al.	.....	D13/164
D567,189 S *	4/2008	Stiles et al.	.....	D13/164
D582,797 S *	12/2008	Fraser et al.	.....	D10/40
D583,828 S *	12/2008	Li et al.	.....	D14/496

(\*\*) Term: **14 Years**

(21) Appl. No.: **29/335,590**

(22) Filed: **Apr. 17, 2009**

(51) **LOC (9) Cl.** ..... **13-03**

(52) **U.S. Cl.** ..... **D13/164**

(58) **Field of Classification Search** ..... D13/162,  
D13/164, 168, 171, 173, 174, 177, 184, 199;  
D10/40, 80, 49, 103; D14/218, 313, 335,  
D14/358, 399, 401, 413, 454; D16/219;  
D18/41; D21/328, 332, 566; D23/246; 174/50;  
200/302.1; 239/242; 307/157, 41; 335/132;  
337/37, 68; 361/686; 84/670

See application file for complete search history.

(56) **References Cited**

**U.S. PATENT DOCUMENTS**

D315,315 S \* 3/1991 Stairs, Jr. .... D10/50

\* cited by examiner

*Primary Examiner*—Daniel D Bui

*Assistant Examiner*—Thomas J Johannes

(74) *Attorney, Agent, or Firm*—Greenberg Traurig, LLP

(57) **CLAIM**

The ornamental design for a pump control pad, as shown and described.

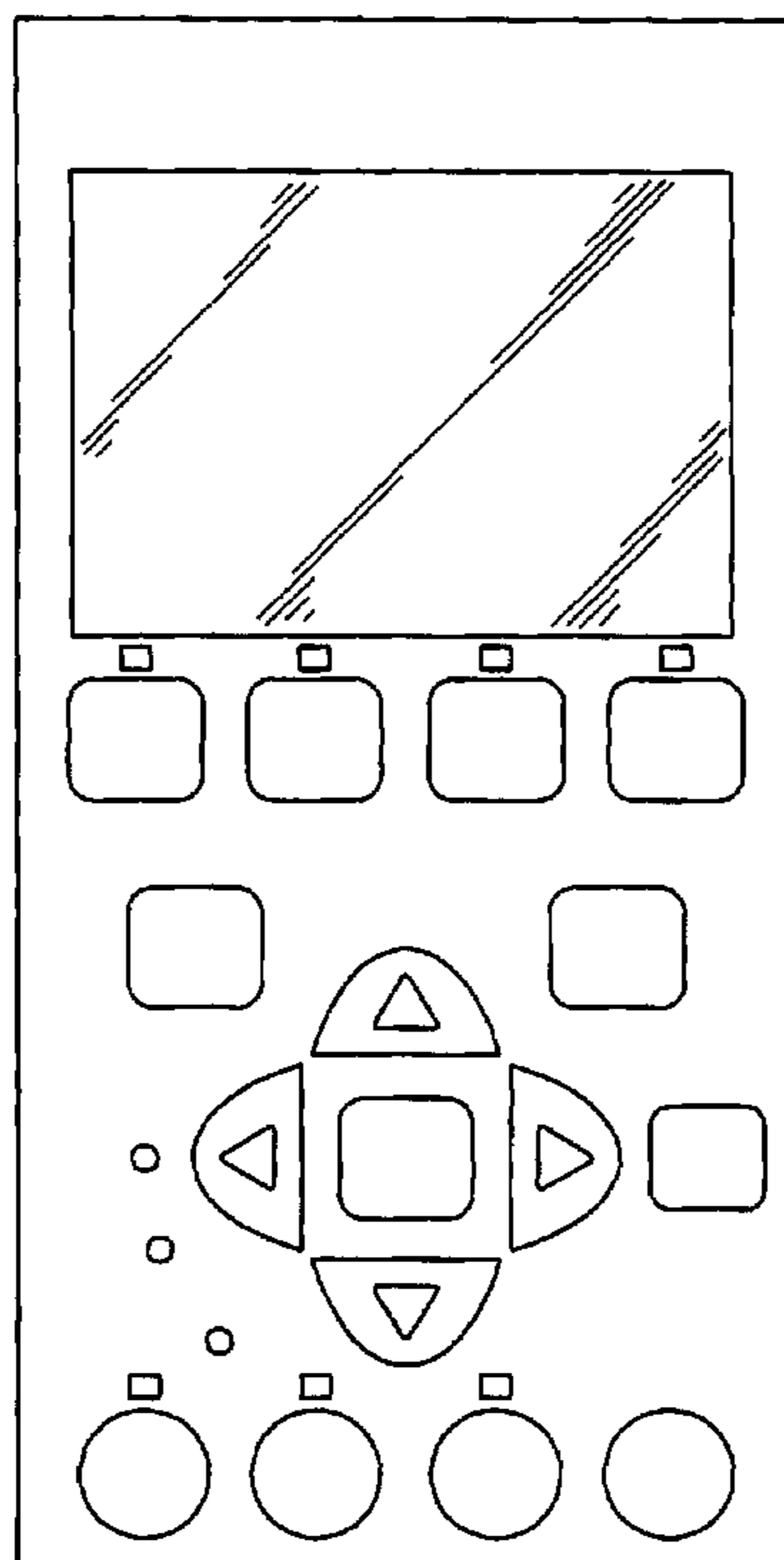
**DESCRIPTION**

FIG. 1 is a top view of a pump control pad showing our new design; and,

FIG. 2 is a top view thereof.

The broken line portion of the figure drawings is included to show unclaimed subject matter only and forms no part of the claimed design.

**1 Claim, 2 Drawing Sheets**



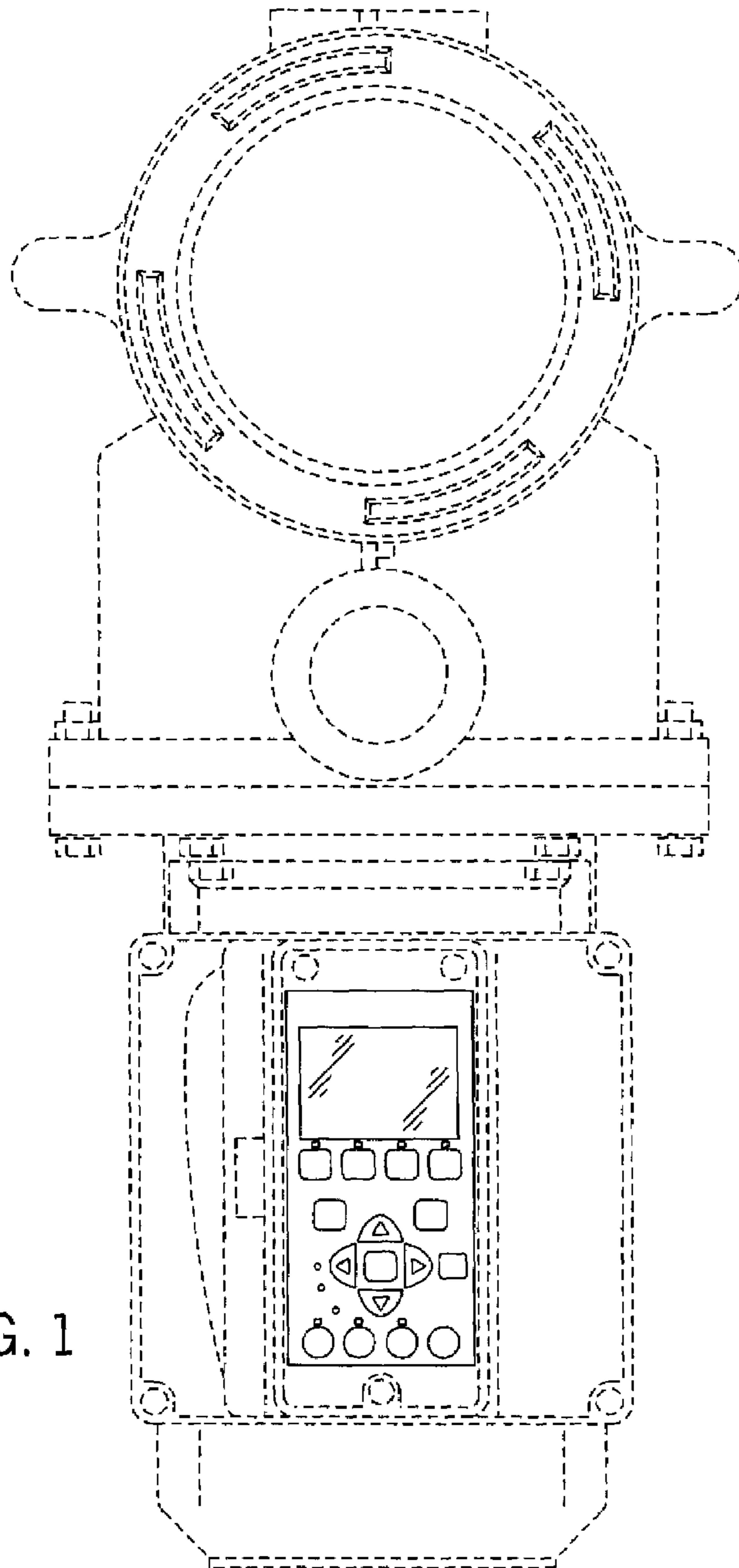


FIG. 1

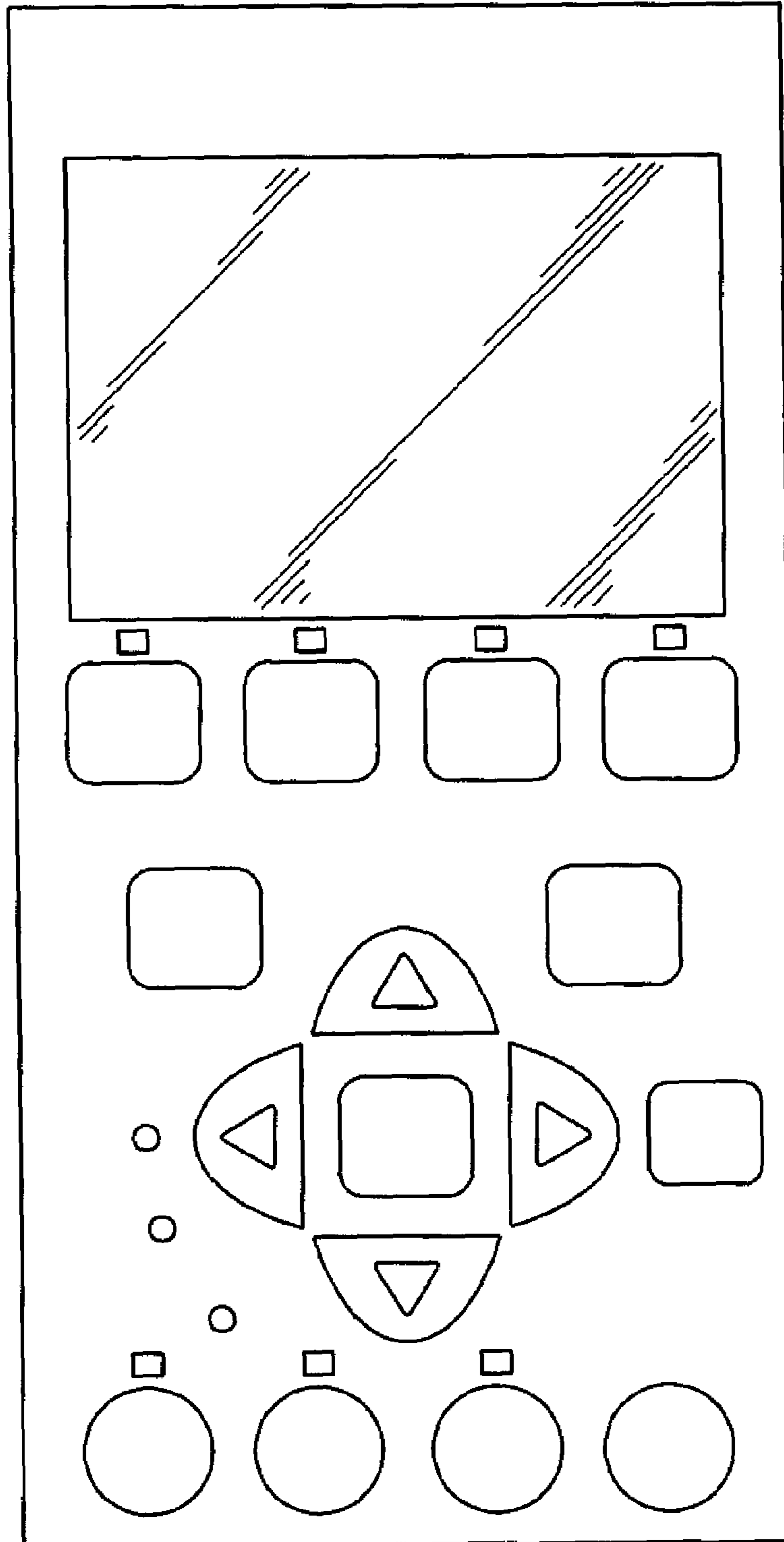


FIG. 2