



US00D611429S

(12) **United States Design Patent**
Chapman

(10) **Patent No.:** **US D611,429 S**
(45) **Date of Patent:** **** Mar. 9, 2010**

(54) **KEYING CONFIGURATION FOR AN ELECTRICAL CONNECTOR**

6,761,589 B2 * 7/2004 Venditti et al. 439/596
D500,737 S * 1/2005 Shao D13/147
D522,463 S * 6/2006 Novotney et al. D13/154

(75) Inventor: **Gordon F. Chapman**, Butler, IN (US)

* cited by examiner

(73) Assignee: **Group Dekko, Inc**, Kendallville, IN (US)

Primary Examiner—Nanda Bondade
(74) *Attorney, Agent, or Firm*—Taylor & Aust, P.C.

(**) Term: **14 Years**

(21) Appl. No.: **29/331,684**

(57) **CLAIM**

(22) Filed: **Jan. 30, 2009**

The ornamental design for a keying configuration for an electrical connector, as shown and described.

(51) **LOC (9) Cl.** **13-03**

DESCRIPTION

(52) **U.S. Cl.** **D13/154**

(58) **Field of Classification Search** D13/133,
D13/138.1, 147, 154–156, 184; 439/328,
439/357, 358, 447, 483, 586, 578, 595–596,
439/606–610, 638, 660, 668–669, 678–676,
439/889, 892

FIG. 1 is a perspective view of a keying configuration for an electrical connector showing my new design, the portion in phantom lines in the figures forming no part of the claimed invention;

See application file for complete search history.

FIG. 2 is a front view thereof;

(56) **References Cited**

FIG. 3 is a side view thereof, the opposite side being a mirror image; and,

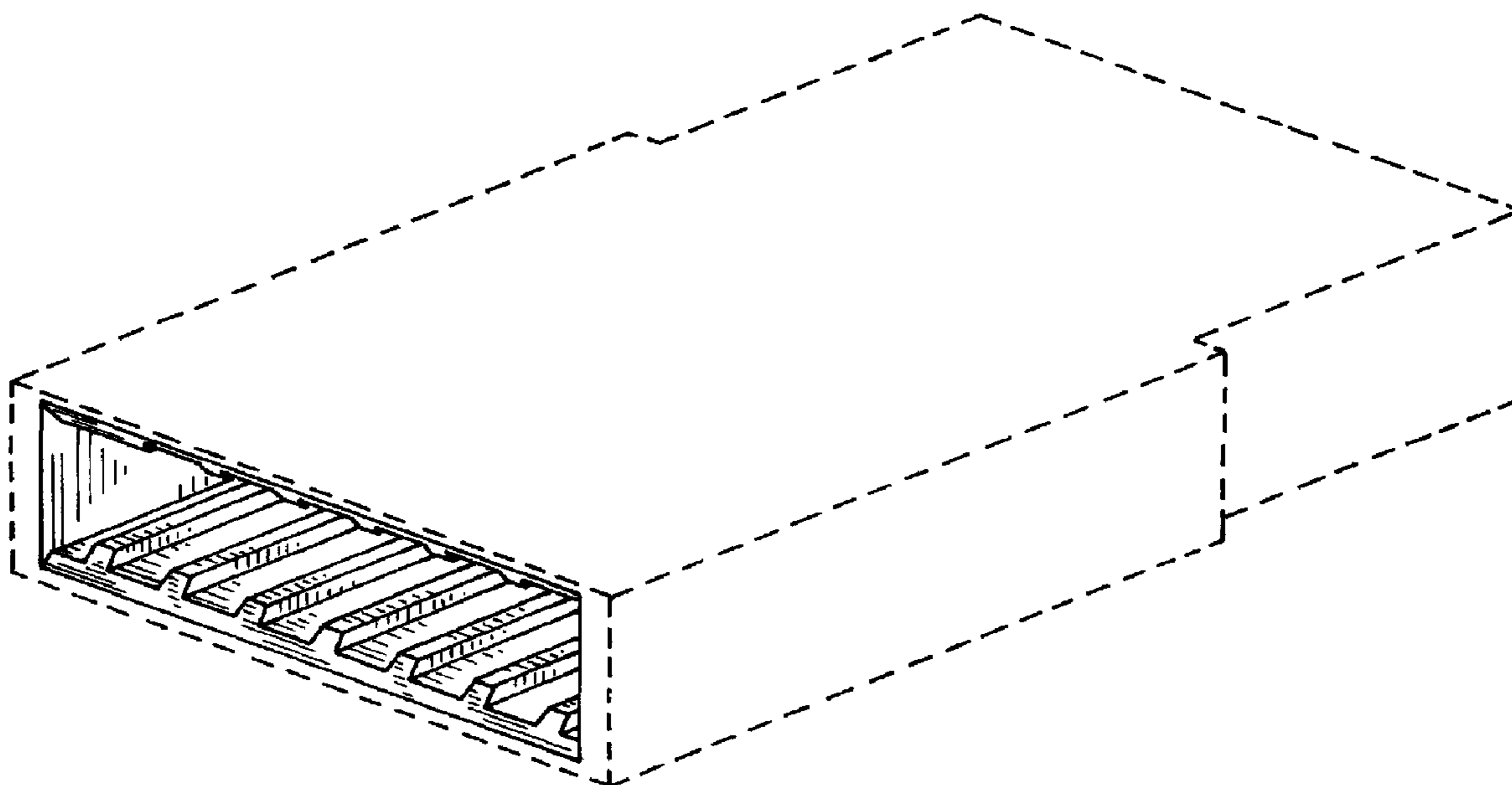
U.S. PATENT DOCUMENTS

4,557,542 A * 12/1985 Coller et al. 439/595
D314,754 S * 2/1991 Endo et al. D13/147
5,218,519 A * 6/1993 Welch et al. 439/328

FIG. 4 is a top view thereof, the bottom view being identical.

The portions of the connector that are not shown form no part of the claimed design.

1 Claim, 2 Drawing Sheets



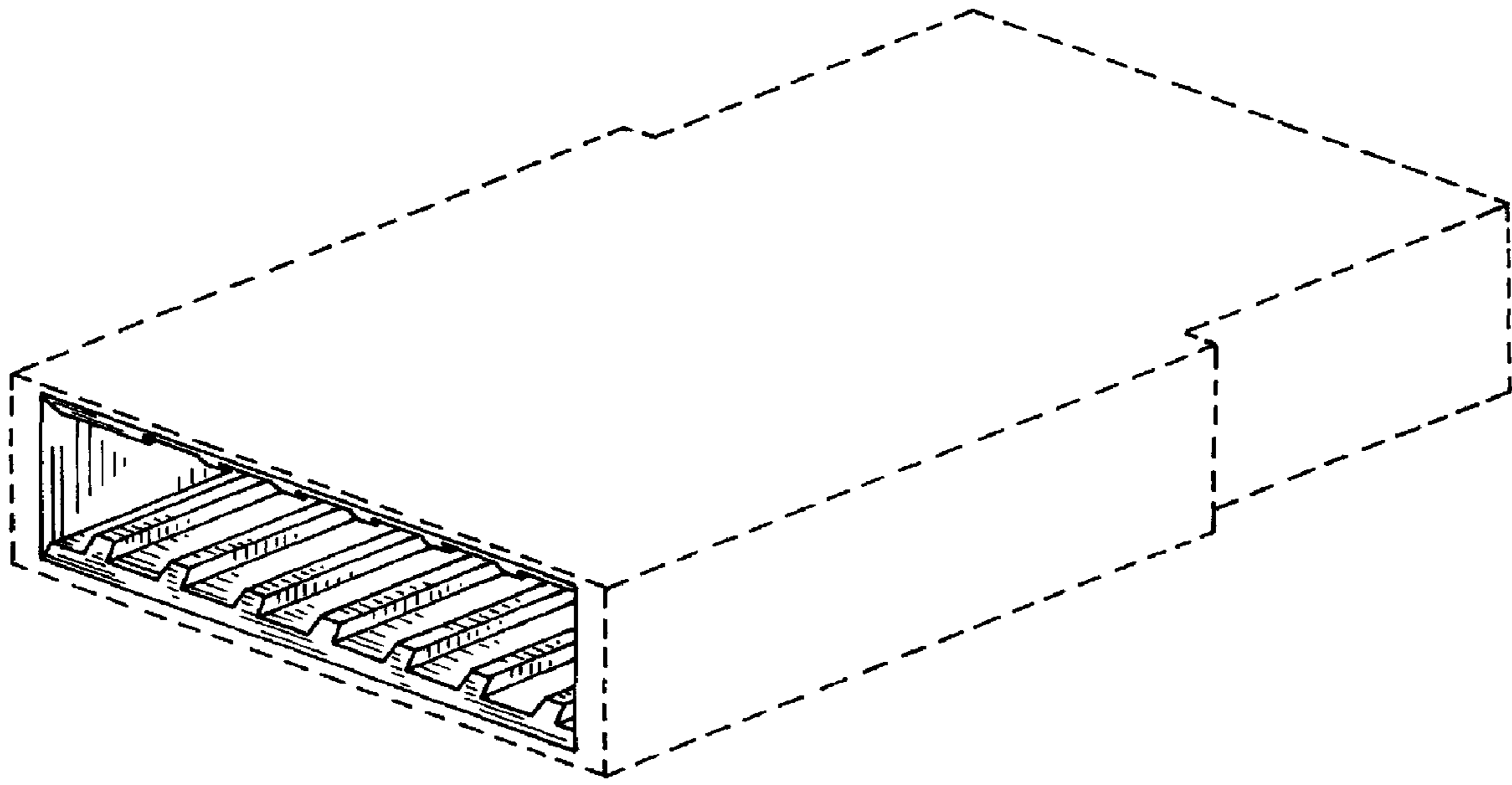


Fig. 1

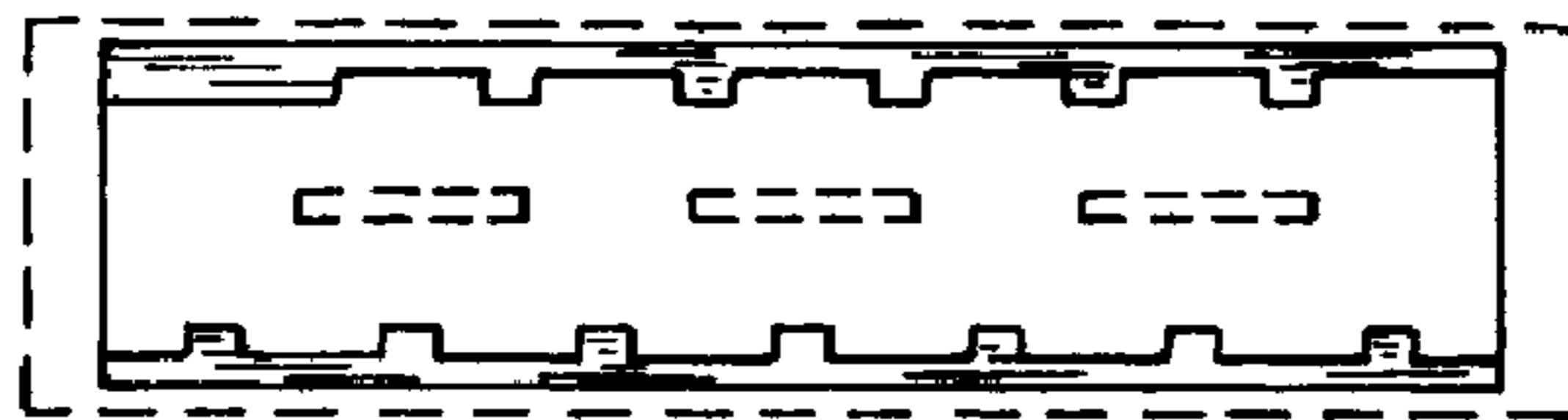


Fig. 2



Fig. 3



Fig. 4