



US00D611427S

(12) **United States Design Patent**
Hynecek et al.

(10) **Patent No.:** **US D611,427 S**
(45) **Date of Patent:** **** Mar. 9, 2010**

(54) **ELECTRICAL CONNECTOR**

(75) Inventors: **Bryan Hynecek**, Redwood City, CA (US); **Stephen R. Myers**, Redwood City, CA (US)

(73) Assignee: **Monster Cable Products, Inc.**, Brisbane, CA (US)

(**) Term: **14 Years**

(21) Appl. No.: **29/323,653**

(22) Filed: **Aug. 28, 2008**

(51) **LOC (9) Cl.** **13-03**

(52) **U.S. Cl.** **D13/154; D13/133**

(58) **Field of Classification Search** D13/133,
D13/146-147, 153-154, 184, 199; D14/496;
D21/324, 333, 385; 439/352, 358, 502, 607-610,
439/680

See application file for complete search history.

(56) **References Cited**

U.S. PATENT DOCUMENTS

D506,184 S *	6/2005	Sirichai et al.	D13/154
D543,154 S *	5/2007	Suckle et al.	D13/154
D556,146 S *	11/2007	Victor	D13/154
D560,616 S *	1/2008	Victor	D13/154
D563,898 S *	3/2008	Lee et al.	D13/154

* cited by examiner

Primary Examiner—Nanda Bondade

(74) *Attorney, Agent, or Firm*—LaRiviere, Grubman & Payne, LLP

(57) **CLAIM**

The ornamental design for an electrical connector, as shown and described in the accompanying drawings.

DESCRIPTION

A portion of the disclosure of this patent document contains material which is subject to copyright protection. The copyright owner has no objection to the facsimile reproduction by any one of the patent document or the patent disclosure, as it appears in the Patent and Trademark Office patent file or records, but otherwise reserves all copyright rights whatsoever.

FIG. 1 is a perspective view of an electrical connector, in accordance with the present invention.

FIG. 2 is a front view thereof;

FIG. 3 is a rear view thereof;

FIG. 4 is a side view thereof;

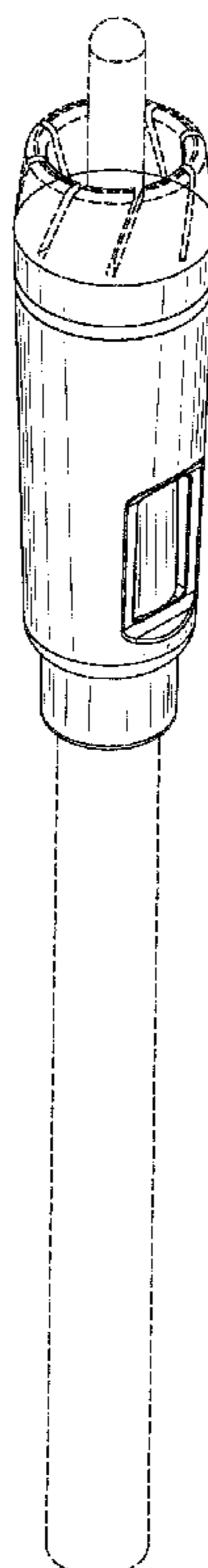
FIG. 5 is an opposing side view thereof;

FIG. 6 is a top view thereof; and,

FIG. 7 is a bottom view thereof.

The broken lines showing the environment in the Figures are for illustrative purposes only and form no part of the claimed design.

1 Claim, 3 Drawing Sheets



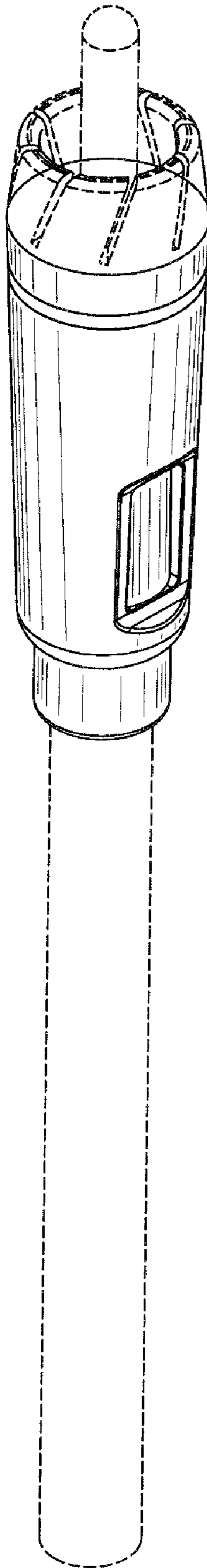


Figure 1

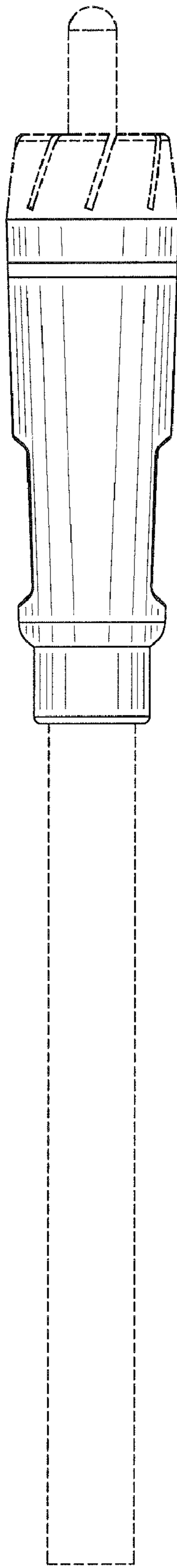


Figure 2

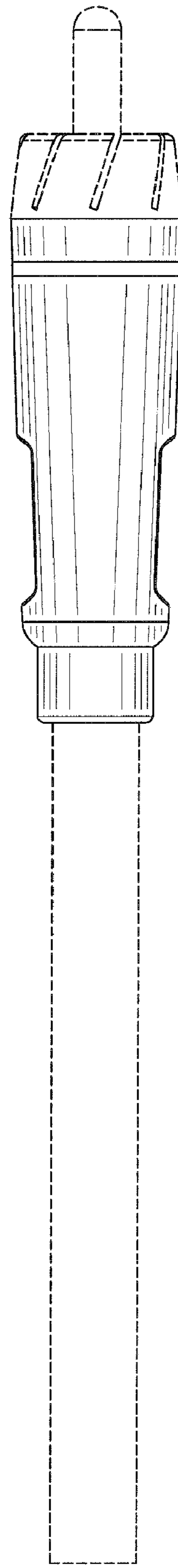


Figure 3

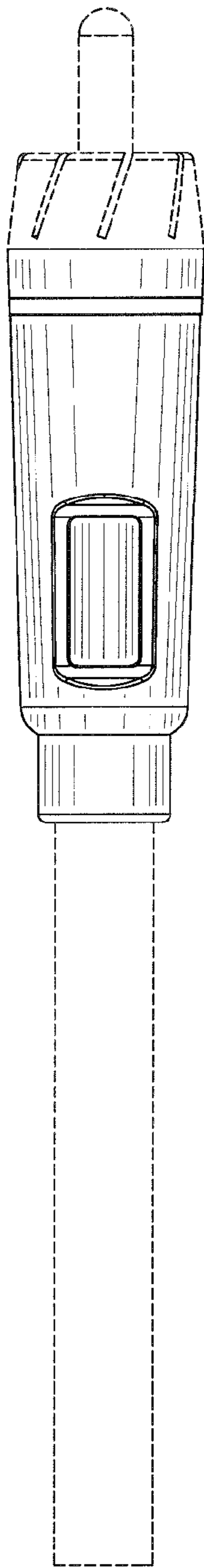


Figure 4

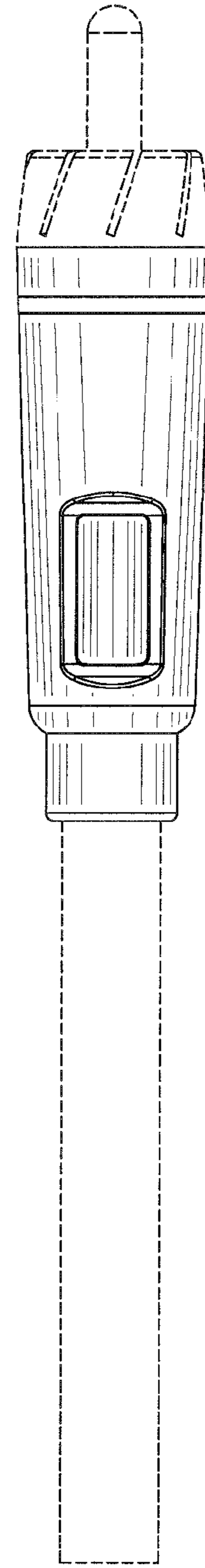


Figure 5

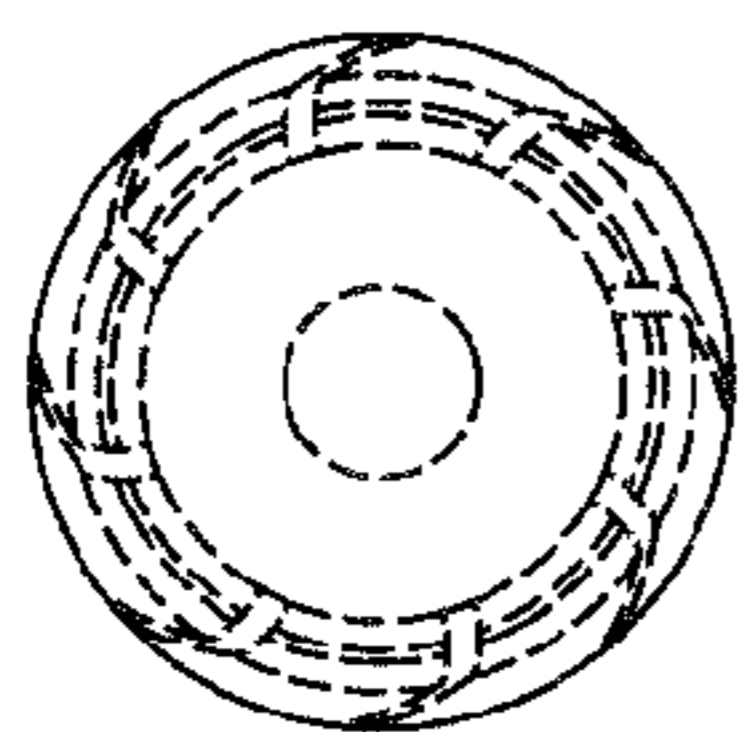


Figure 6

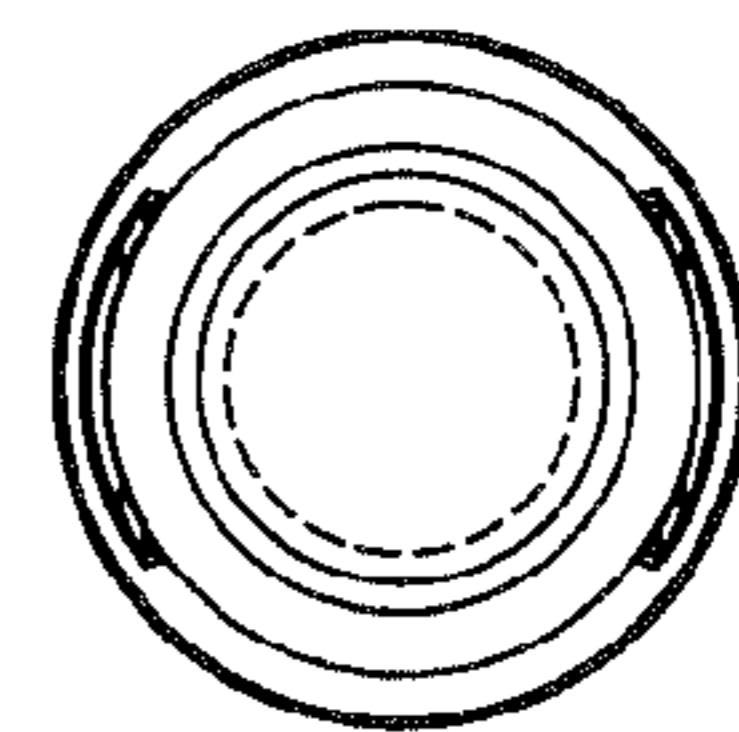


Figure 7