



US00D611426S

(12) **United States Design Patent**
Kuo

(10) **Patent No.:** **US D611,426 S**
(45) **Date of Patent:** **** Mar. 9, 2010**

(54) **DIMM SOCKET STRUCTURE**

D543,946 S * 6/2007 Zhu et al. D13/147
D599,296 S * 9/2009 Guan et al. D13/147

(75) Inventor: **Chih-Han Kuo**, Taipei (TW)

* cited by examiner

(73) Assignee: **Inventec Corporation**, Taipei (TW)

Primary Examiner—Daniel D Bui

(**) Term: **14 Years**

(74) *Attorney, Agent, or Firm*—Morris, Manning & Martin LLP; Tim Tingkang Xia

(21) Appl. No.: **29/341,031**

(57) **CLAIM**

(22) Filed: **Jul. 29, 2009**

The ornamental design for a “dimm socket structure,” as shown and described.

(51) **LOC (9) Cl.** **13-03**

(52) **U.S. Cl.** **D13/147**

(58) **Field of Classification Search** D13/133,
D13/146–147, 154, 184; 439/73, 79, 83,
439/181, 495, 607–610, 637

See application file for complete search history.

DESCRIPTION

FIG. 1 is a perspective view of dimm socket structure showing my new design;

FIG. 2 is a front and rear view thereof;

FIG. 3 is a left and right side view thereof;

FIG. 4 is a top view thereof; and,

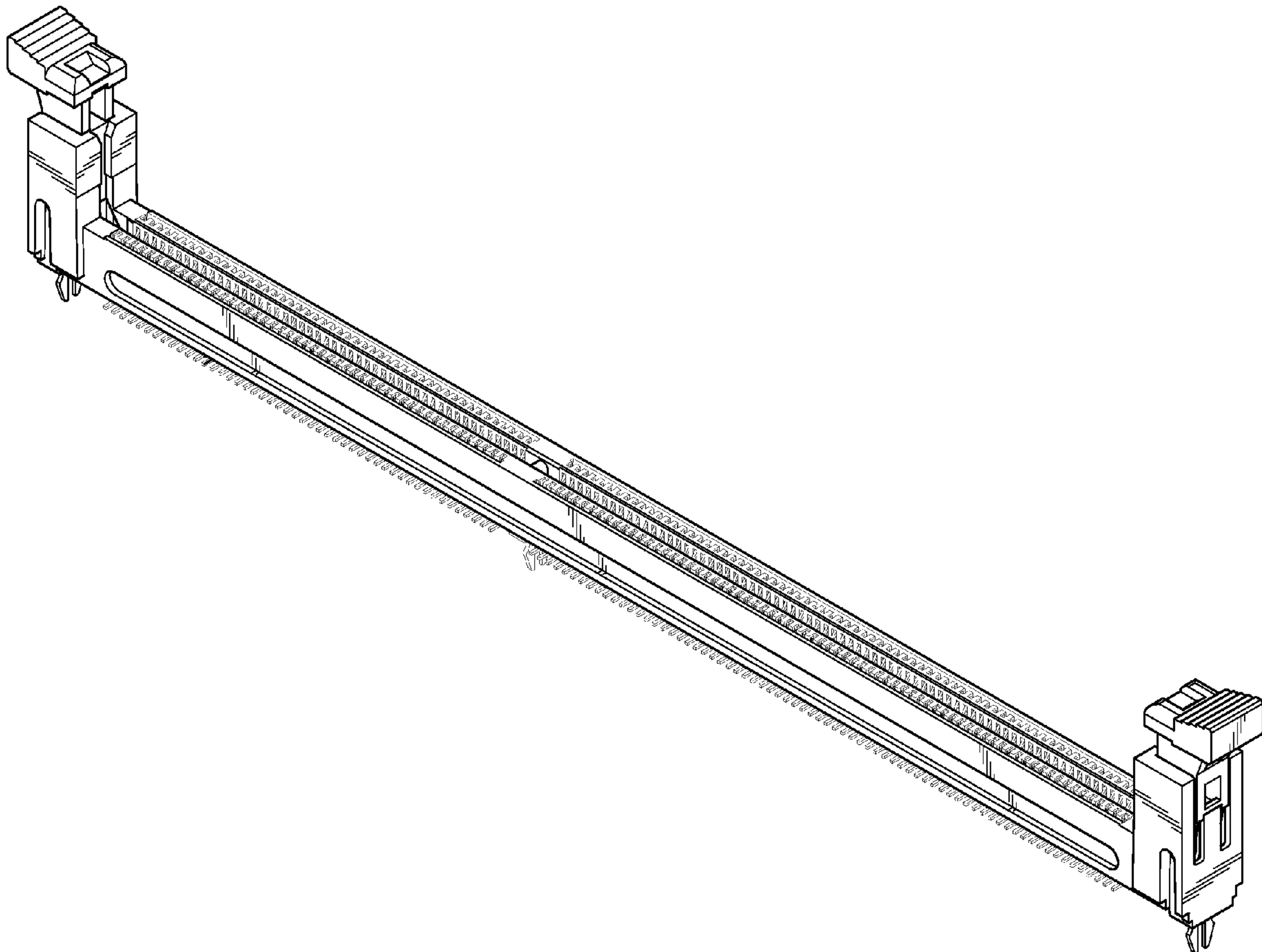
FIG. 5 is a bottom view thereof.

(56) **References Cited**

U.S. PATENT DOCUMENTS

D472,218 S * 3/2003 Shao D13/147
6,551,116 B1 * 4/2003 Liu 439/79

1 Claim, 3 Drawing Sheets



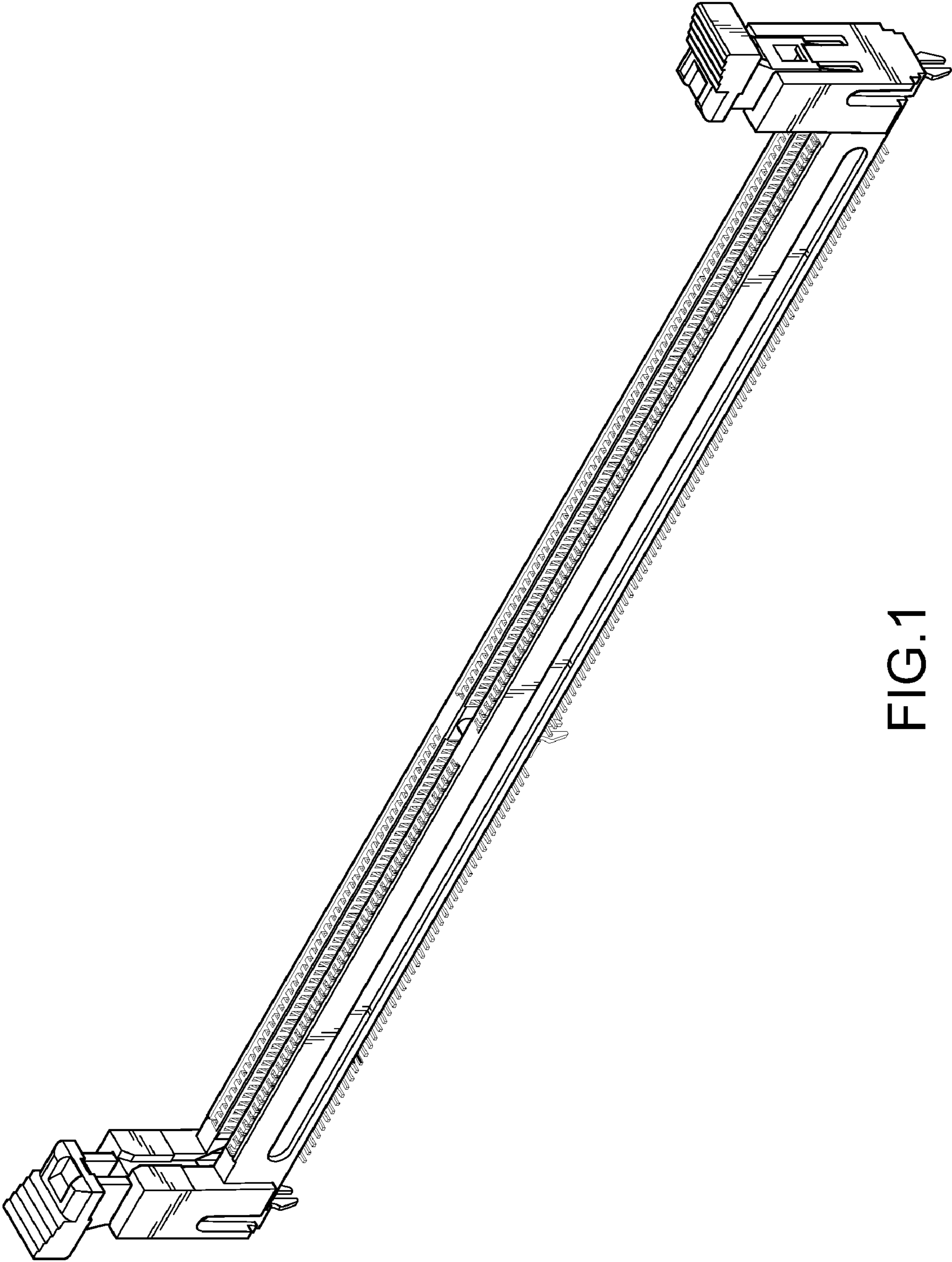


FIG.1

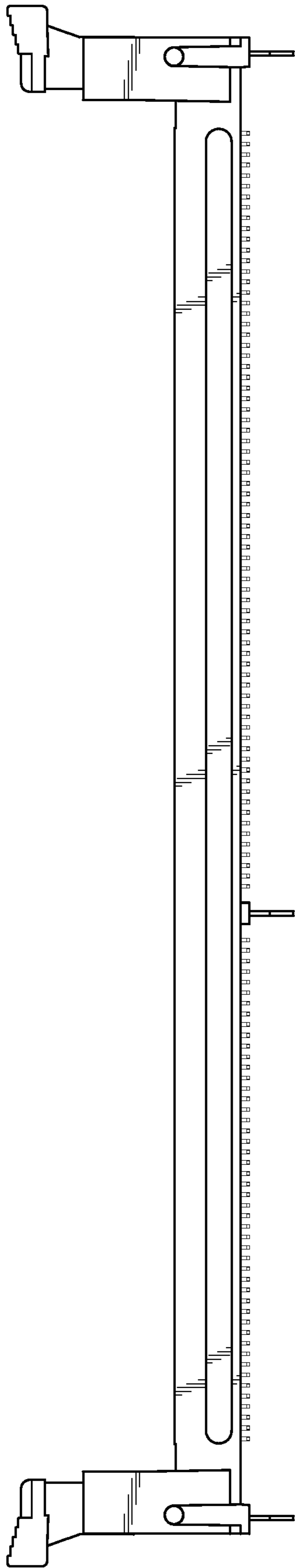


FIG. 2

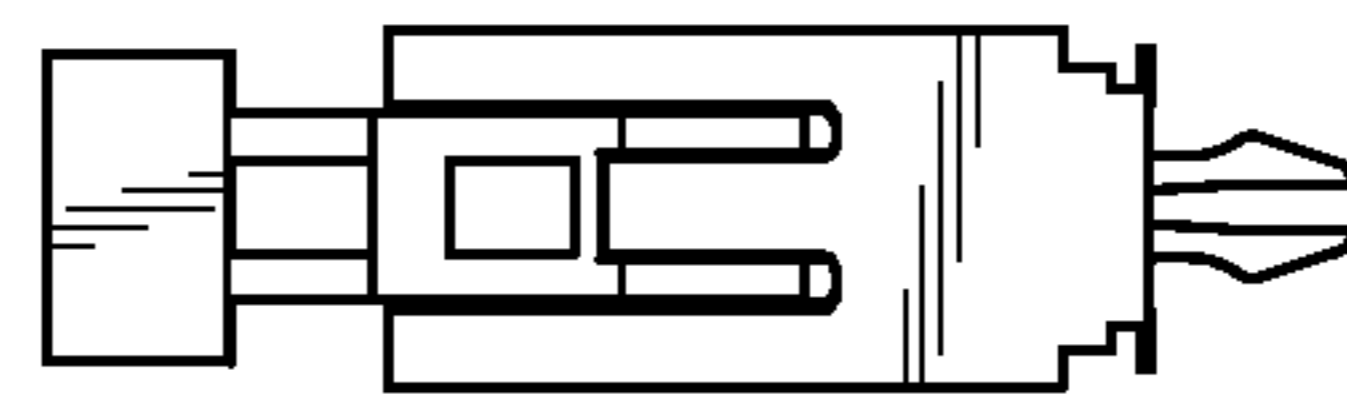


FIG. 3

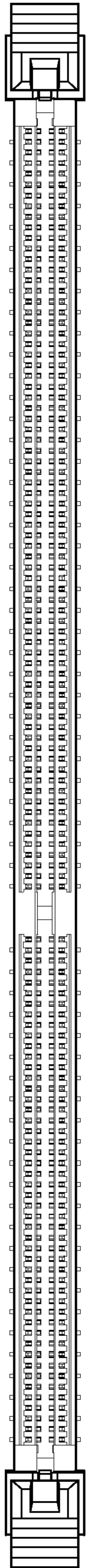


FIG.4

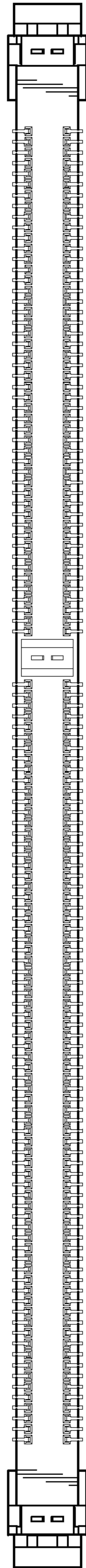


FIG.5