



US00D611425S

(12) **United States Design Patent**  
**Aldridge**

(10) **Patent No.:** **US D611,425 S**

(45) **Date of Patent:** **\*\* Mar. 9, 2010**

(54) **ELECTRICAL CONNECTOR**

D412,311 S \* 7/1999 Silvershein ..... D12/416  
D582,850 S \* 12/2008 Andre ..... D13/133

(75) Inventor: **Ian Edward Aldridge**, Southampton  
(GB)

\* cited by examiner

(73) Assignee: **Contour Electronics Limited** (GB)

*Primary Examiner*—Daniel D Bui

(\*\*) Term: **14 Years**

(74) *Attorney, Agent, or Firm*—George R. McGuire; Bond  
Schoeneck & King, PLLC

(21) Appl. No.: **29/337,318**

(57) **CLAIM**

(22) Filed: **May 19, 2009**

The ornamental design for an electrical connector, as shown  
and described.

(30) **Foreign Application Priority Data**

Mar. 18, 2009 (EM) ..... 001111397

**DESCRIPTION**

(51) **LOC (9) Cl.** ..... **13-03**

(52) **U.S. Cl.** ..... **D13/147**

(58) **Field of Classification Search** ..... D13/133,  
D13/146–147, 153, 154, 184; 439/349, 350,  
439/527, 529, 578, 579, 584, 607–610, 842,  
439/850, 851, 889, 948

See application file for complete search history.

FIG. 1 is a rear elevation view of an electrical connector  
showing my new design;

FIG. 2 is a front elevation view thereof;

FIG. 3 is a first side elevation view thereof;

FIG. 4 is a second side elevation view thereof;

FIG. 5 is a top plan view thereof, on a larger scale;

FIG. 6 is a bottom plan view thereof, on a larger scale; and,

FIG. 7 is a perspective view thereof.

(56) **References Cited**

U.S. PATENT DOCUMENTS

D298,312 S \* 11/1988 Sekiguchi ..... D13/147

**1 Claim, 4 Drawing Sheets**

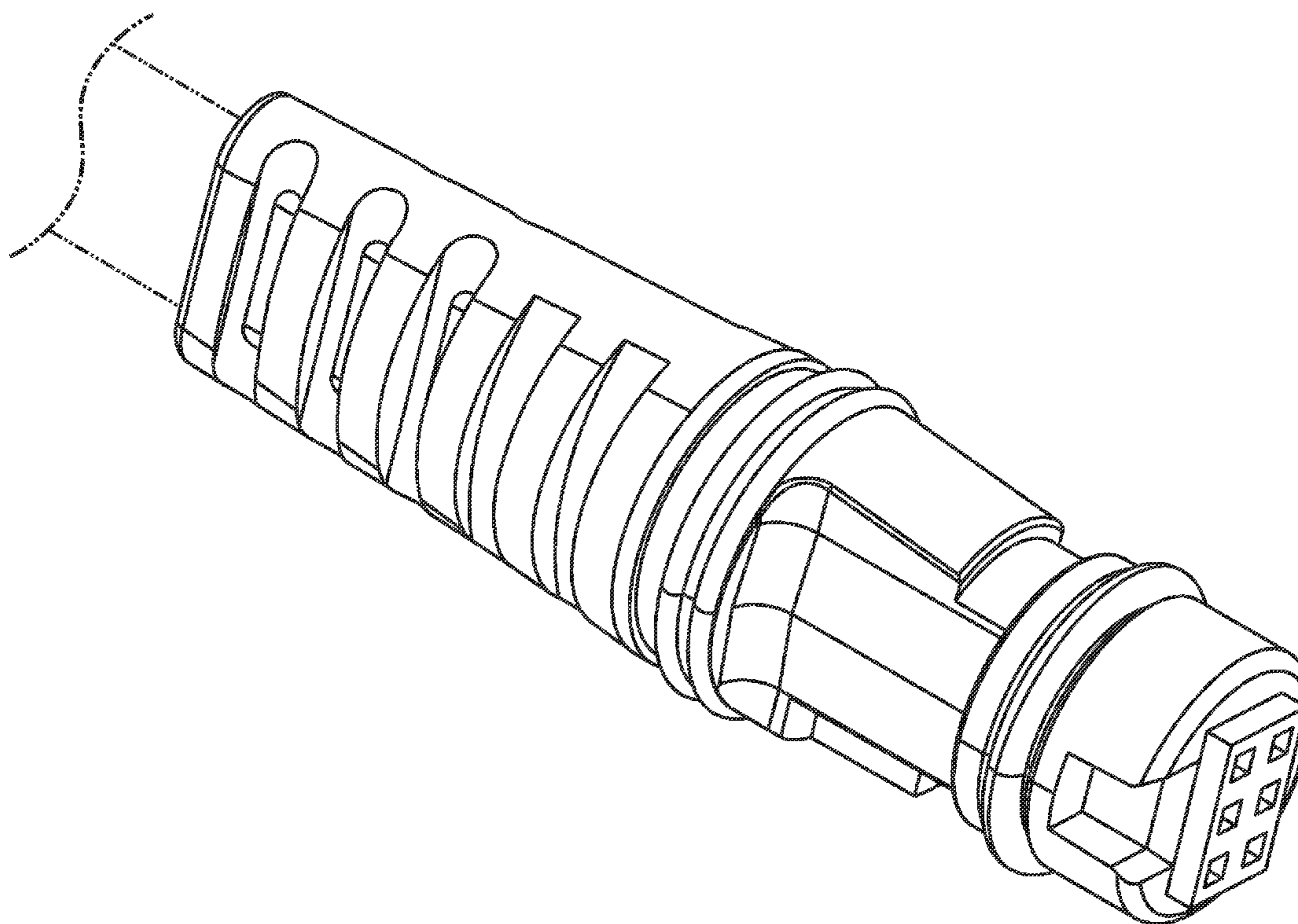


FIGURE 1

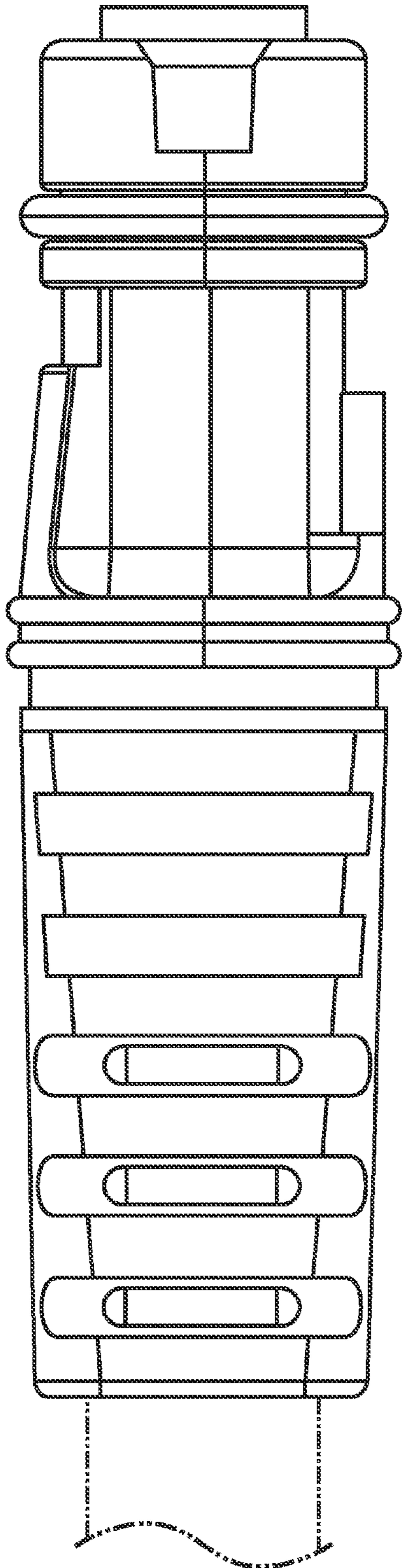


FIGURE 2

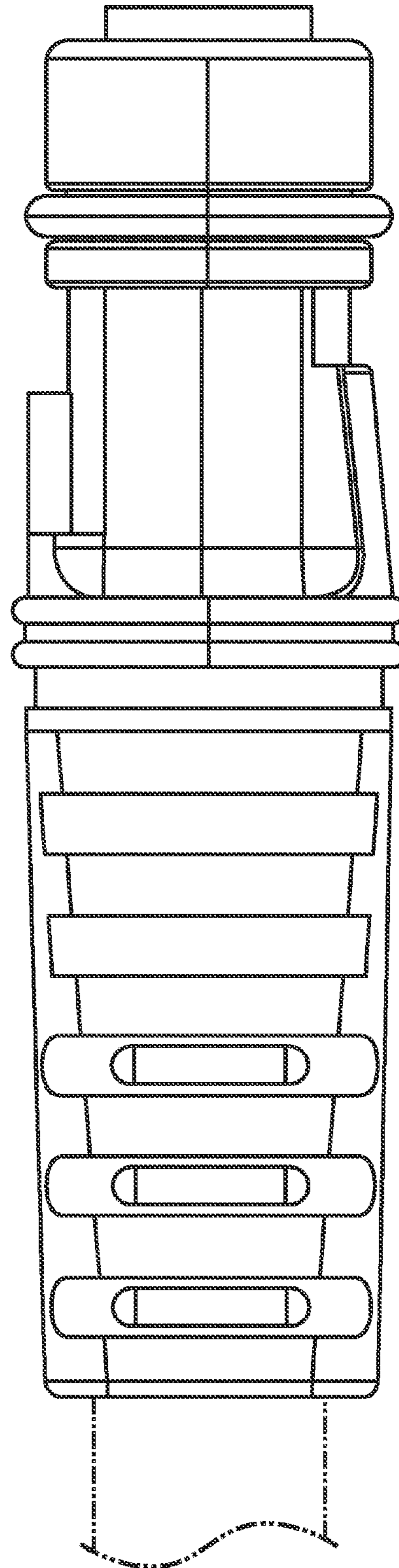


FIGURE 3

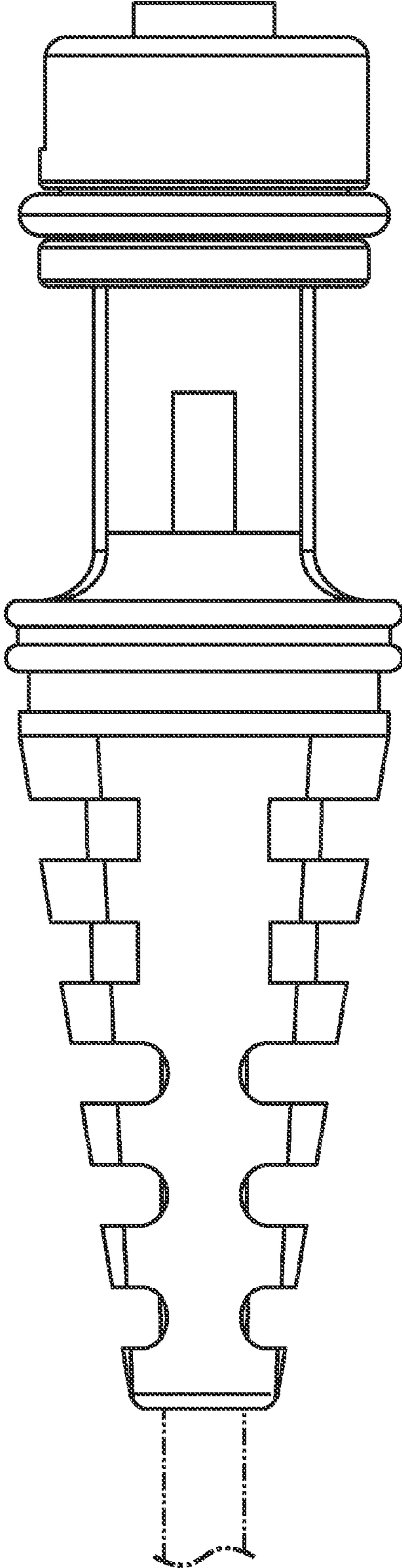


FIGURE 4

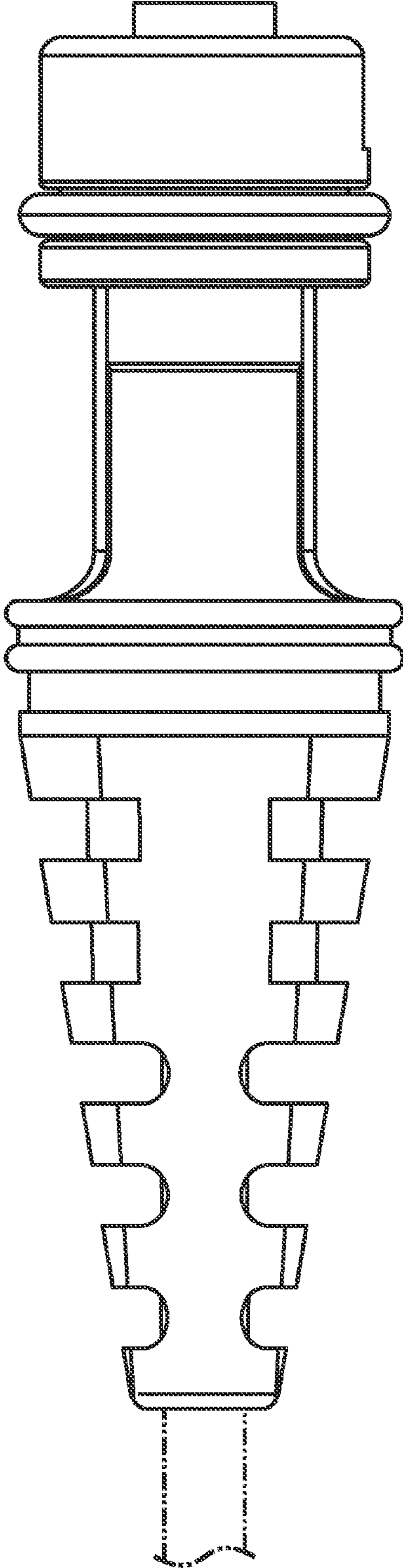


FIGURE 5

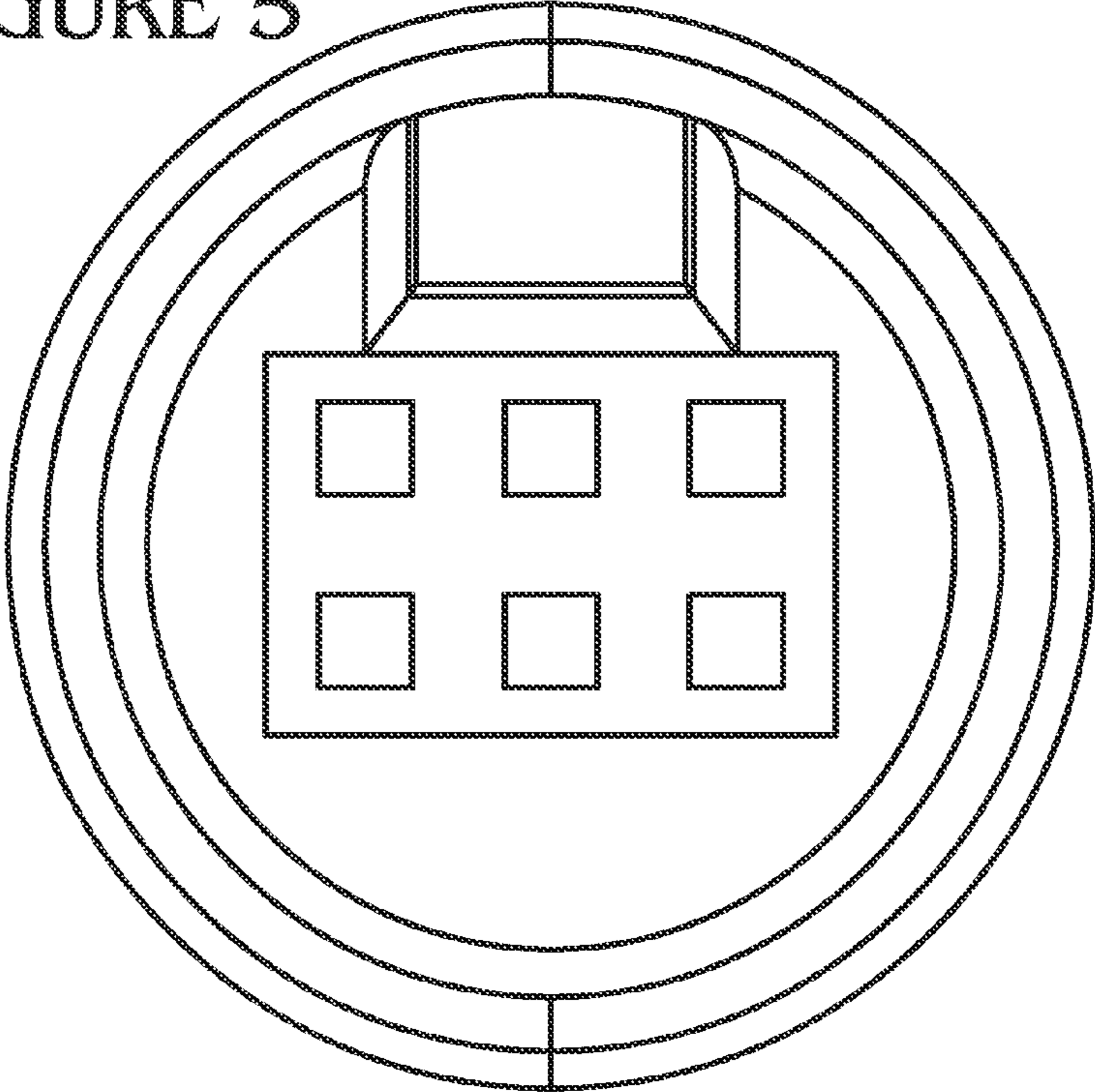
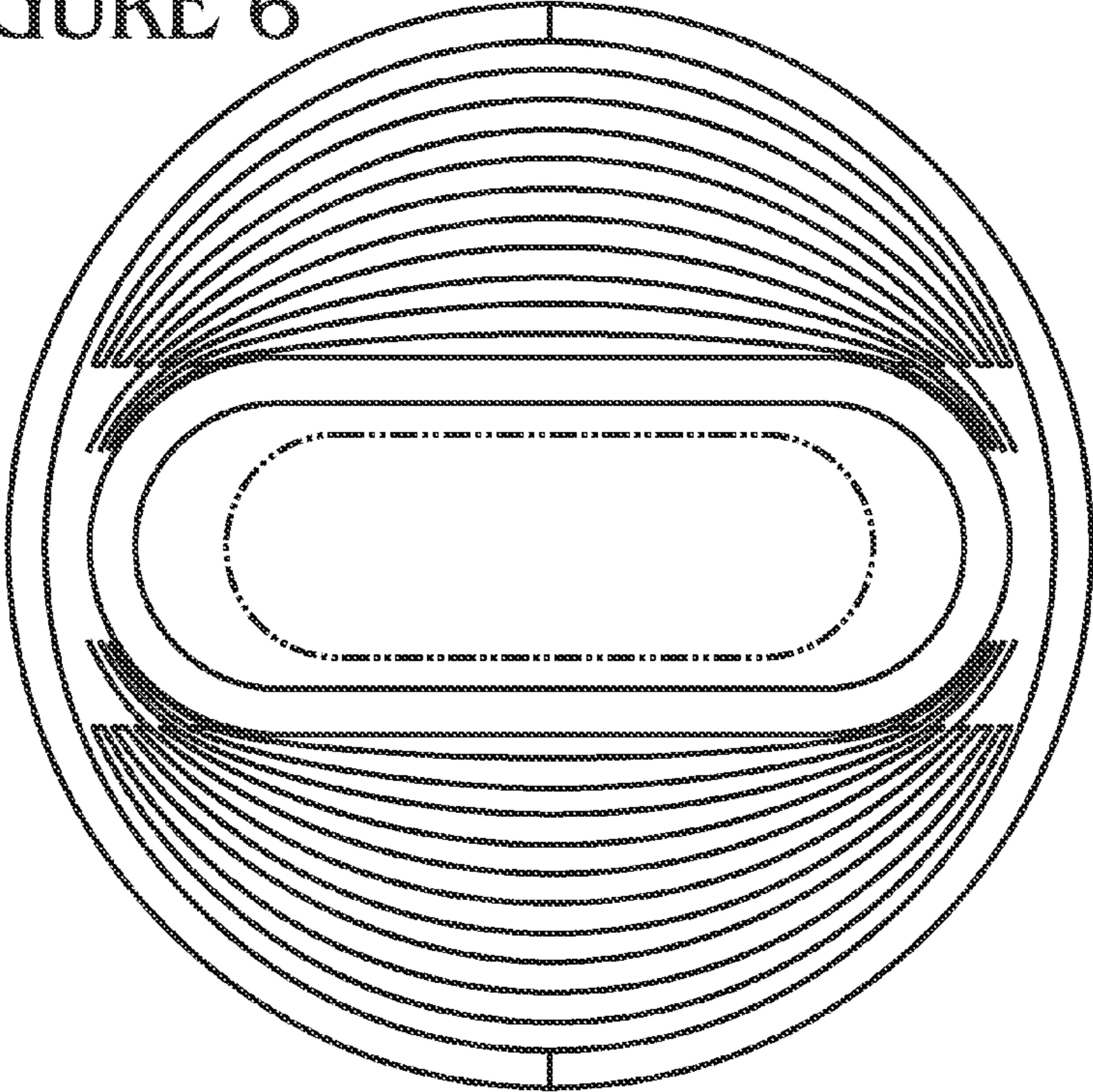
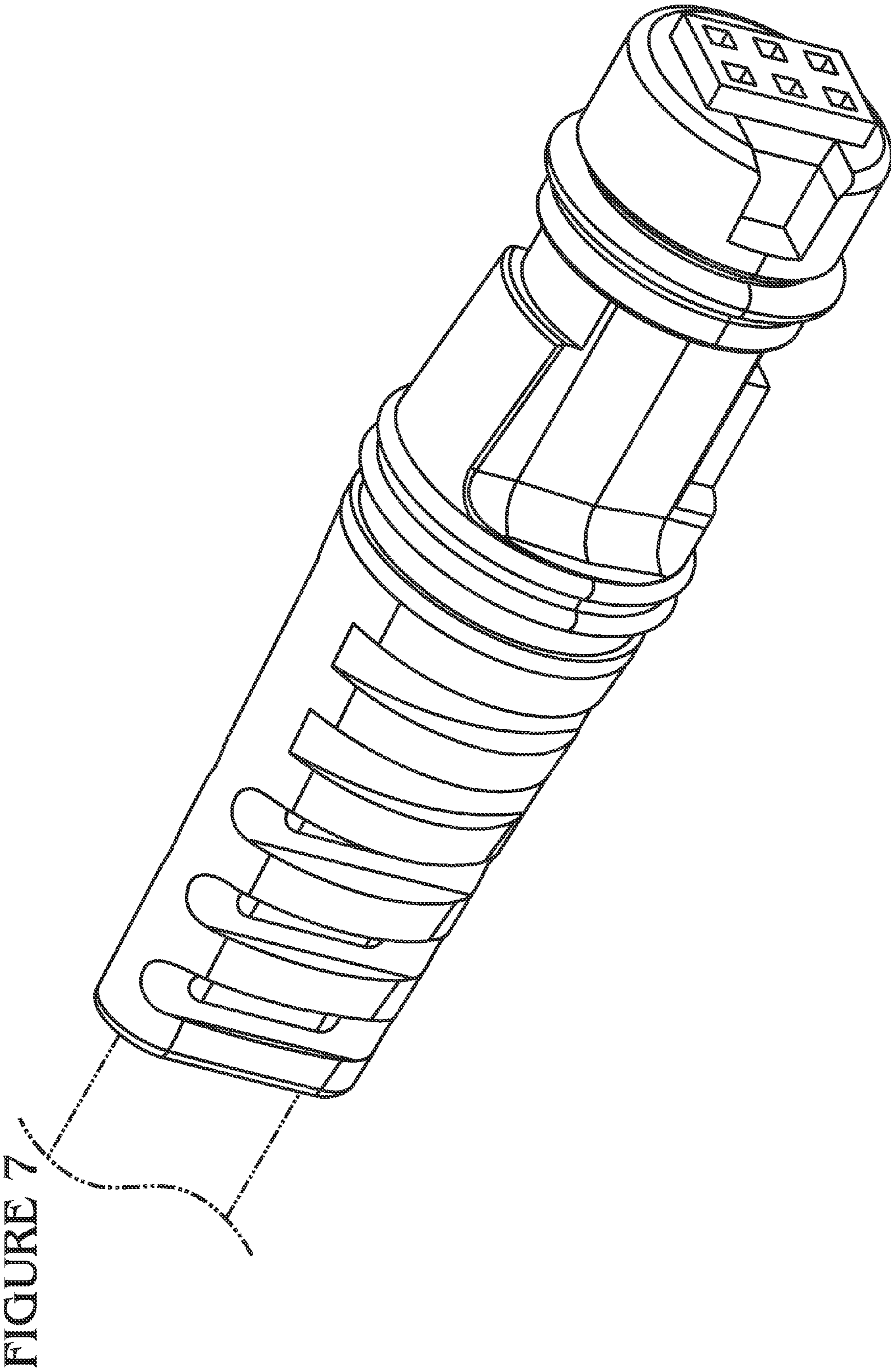


FIGURE 6





UNITED STATES PATENT AND TRADEMARK OFFICE  
**CERTIFICATE OF CORRECTION**

PATENT NO. : D611,425 S  
APPLICATION NO. : 29/337318  
DATED : March 9, 2010  
INVENTOR(S) : Ian Edward Aldridge

Page 1 of 1

It is certified that error appears in the above-identified patent and that said Letters Patent is hereby corrected as shown below:

On the Title Page

(73) Assignee: please delete "Contour Electronics Limited" and please add --Countour Holdings,  
Limited--

Signed and Sealed this  
Twenty-ninth Day of August, 2017



Joseph Matal  
*Performing the Functions and Duties of the  
Under Secretary of Commerce for Intellectual Property and  
Director of the United States Patent and Trademark Office*