



US00D611424S

(12) **United States Design Patent**  
**Arai et al.**

(10) **Patent No.:** **US D611,424 S**  
(45) **Date of Patent:** **\*\* Mar. 9, 2010**

(54) **ELECTRICAL CONNECTOR**

(75) Inventors: **Junichi Arai**, Isesaki (JP); **Takao Asano**, Isesaki (JP)

(73) Assignee: **Hosiden Corporation**, Osaka (JP)

(\*\*) Term: **14 Years**

(21) Appl. No.: **29/335,077**

(22) Filed: **Apr. 8, 2009**

(30) **Foreign Application Priority Data**

Oct. 14, 2008	(JP)	.....	2008-026350
Oct. 14, 2008	(JP)	.....	2008-026351
Oct. 14, 2008	(JP)	.....	2008-026352
Oct. 14, 2008	(JP)	.....	2008-026353

(51) **LOC (9) Cl.** ..... **13-03**

(52) **U.S. Cl.** ..... **D13/147**

(58) **Field of Classification Search** ..... D13/146-147,  
D13/154, 184; 439/79, 108, 278, 374, 377,  
439/607-610, 660, 680, 682, 883, 891, 894  
See application file for complete search history.

(56) **References Cited**

**U.S. PATENT DOCUMENTS**

D452,847 S *	1/2002	Shimojyo	.....	D13/147
D478,320 S *	8/2003	Suzuki et al.	.....	D13/147
D482,002 S *	11/2003	Suzuki et al.	.....	D13/147
D482,331 S *	11/2003	Suzuki et al.	.....	D13/147
D490,234 S *	5/2004	Masaki	.....	D13/133
D509,475 S *	9/2005	Tsai	.....	D13/147
D510,069 S *	9/2005	Tsai	.....	D13/147
D510,909 S *	10/2005	Tsai	.....	D13/147
D517,994 S *	3/2006	Zhang et al.	.....	D13/147
D522,970 S *	6/2006	Toyota et al.	.....	D13/147
D523,400 S *	6/2006	Shang-Yen et al.	.....	D13/147
D526,619 S *	8/2006	Tsai	.....	D13/147

D535,624 S *	1/2007	Toyota et al.	.....	D13/147
D539,744 S *	4/2007	Hu et al.	.....	D13/147
D548,191 S *	8/2007	Arai et al.	.....	D13/147
D552,037 S *	10/2007	Imai	.....	D13/147
D559,189 S *	1/2008	Arai et al.	.....	D13/147
D559,190 S *	1/2008	Arai et al.	.....	D13/147
D559,191 S *	1/2008	Arai et al.	.....	D13/147
D559,192 S *	1/2008	Arai et al.	.....	D13/147
D591,685 S *	5/2009	Hung et al.	.....	D13/147
2005/0227543 A1 *	10/2005	Masumoto et al.	.....	439/660

**FOREIGN PATENT DOCUMENTS**

JP D1356994 3/2009

\* cited by examiner

*Primary Examiner*—Daniel D Bui

(74) *Attorney, Agent, or Firm*—Rankin, Hill & Clark LLP

(57) **CLAIM**

The ornamental design for an electrical connector, as shown and described.

**DESCRIPTION**

FIG. 1 is a front, right side and top perspective view of an electrical connector showing our new design;

FIG. 2 is a rear, right side and bottom perspective view thereof;

FIG. 3 is a front elevation view thereof;

FIG. 4 is a rear elevation view thereof;

FIG. 5 is a left side view thereof, a right side view being a mirror image thereof;

FIG. 6 is a top plan view thereof;

FIG. 7 is a bottom plan view thereof; and,

FIG. 8 is a sectional view taken along a line 8—8 of FIG. 3 thereof.

**1 Claim, 3 Drawing Sheets**

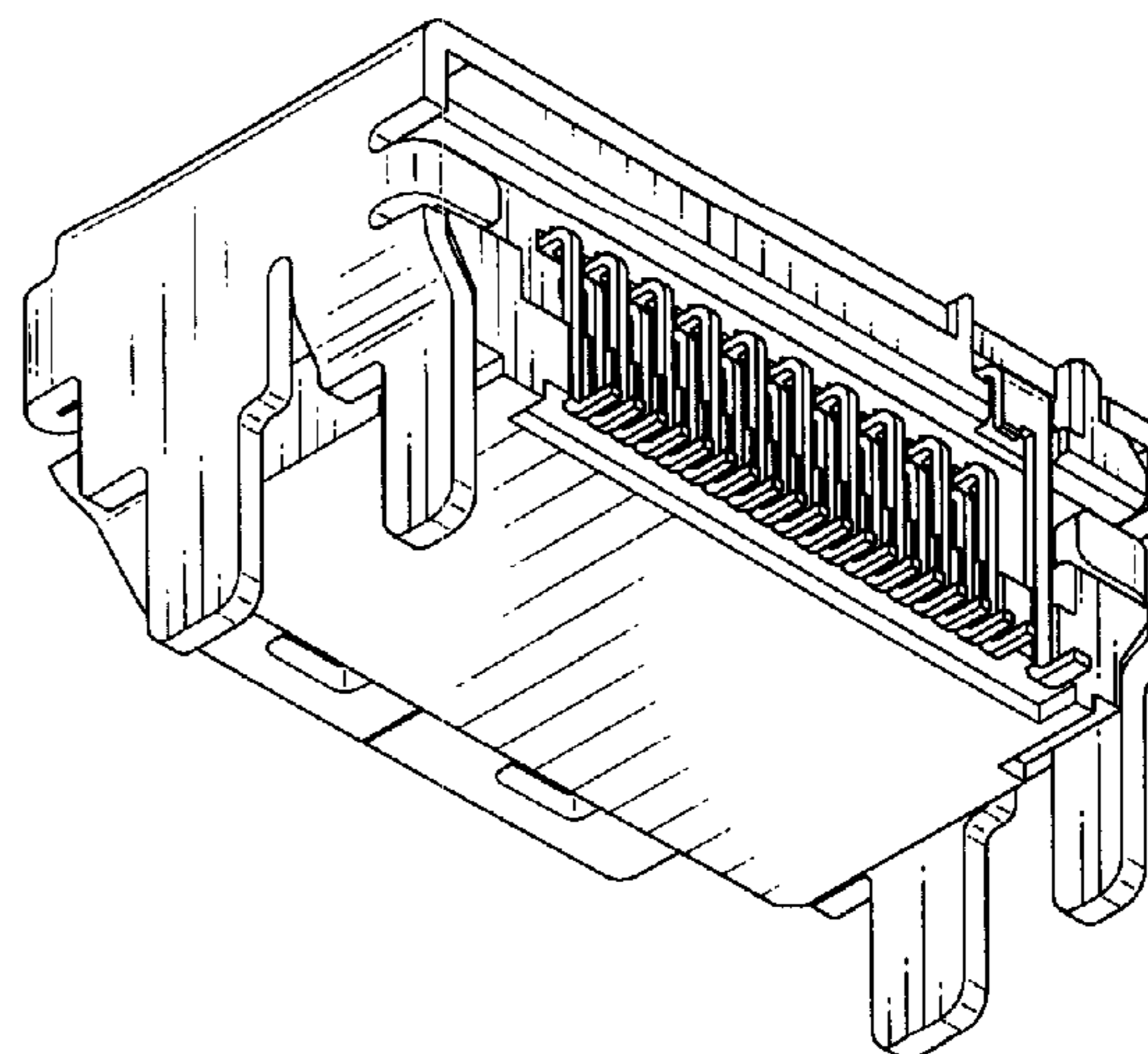
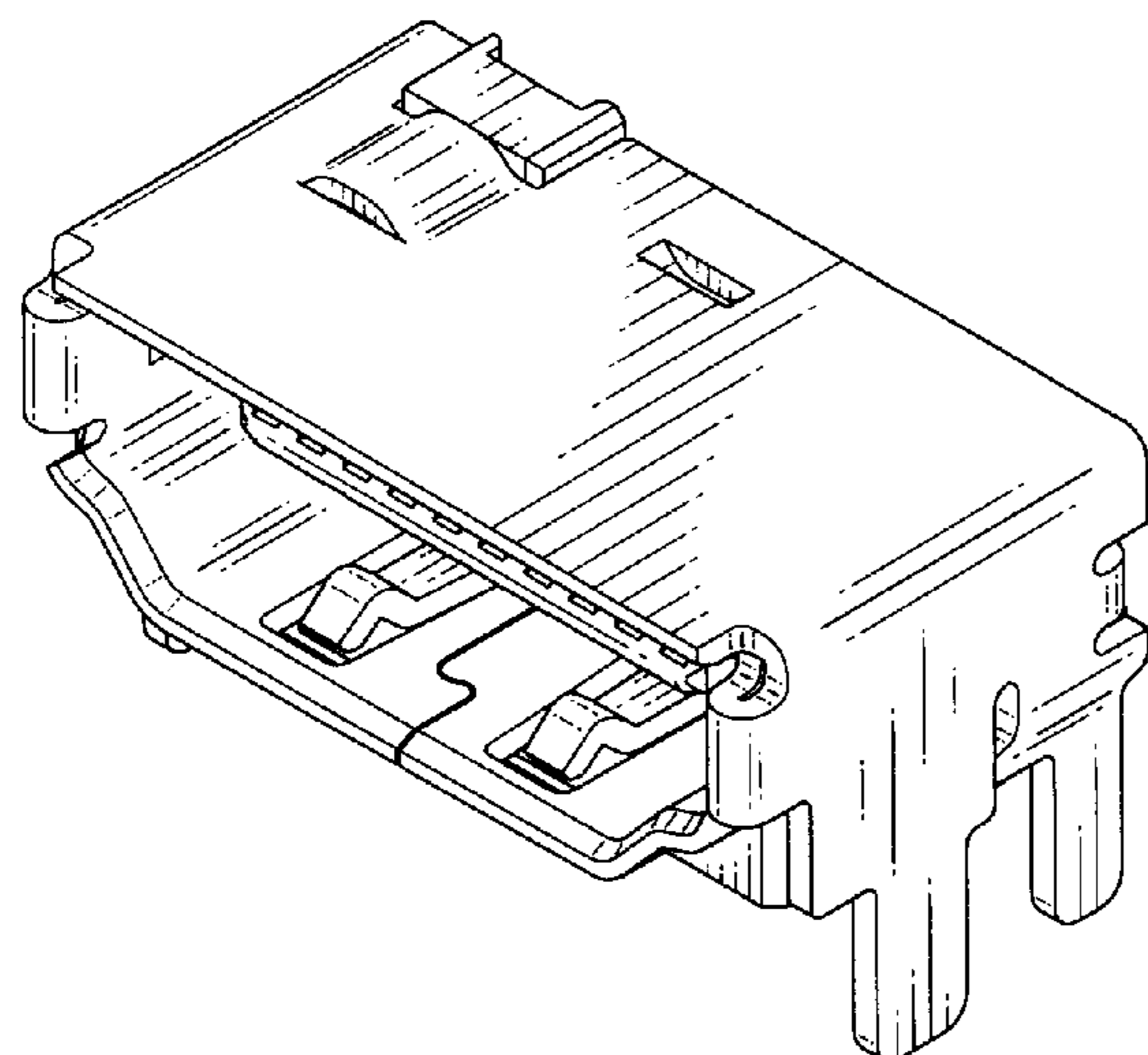


Fig. 1

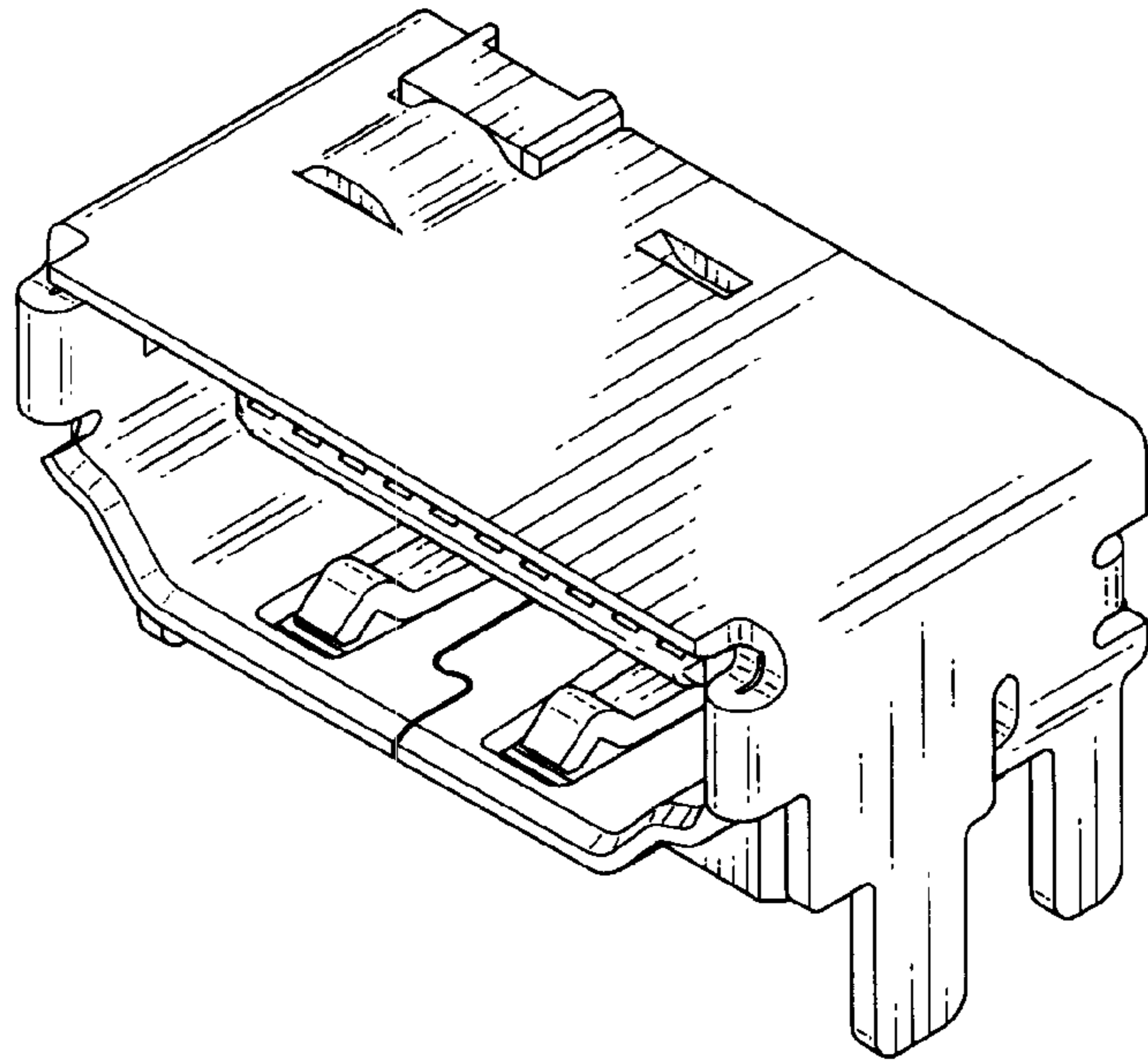


Fig. 2

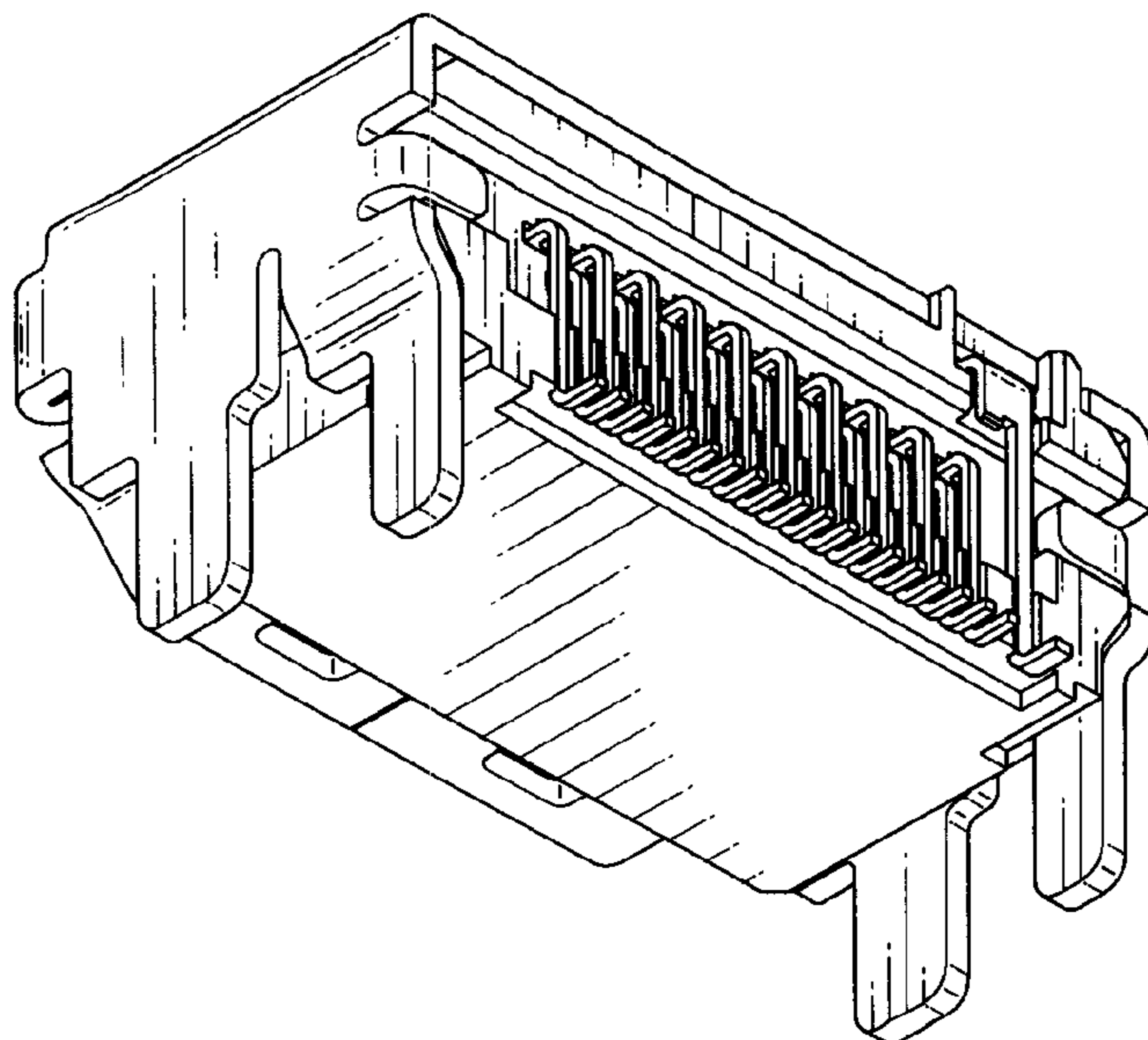


Fig. 3

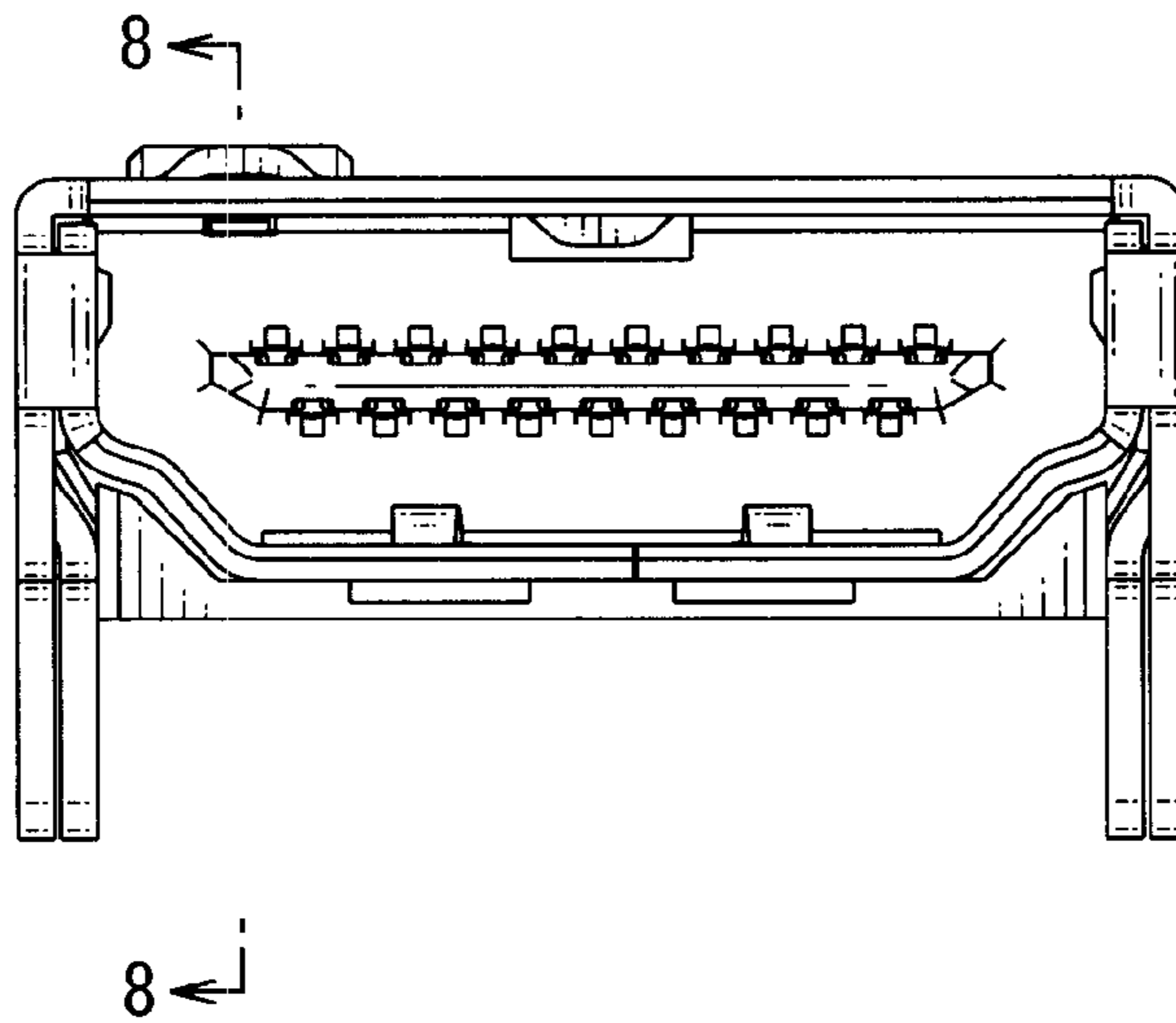


Fig. 4

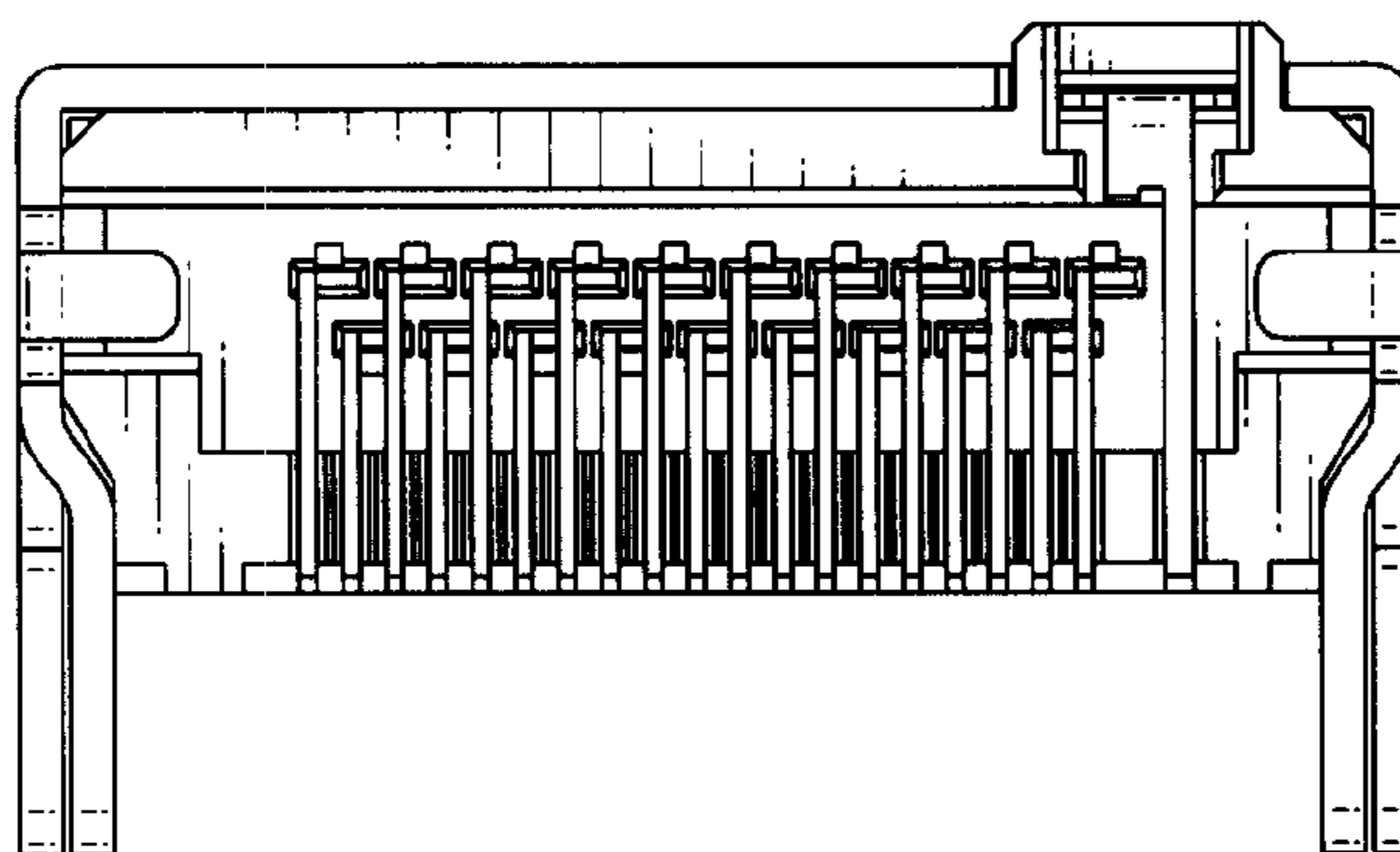


Fig. 5

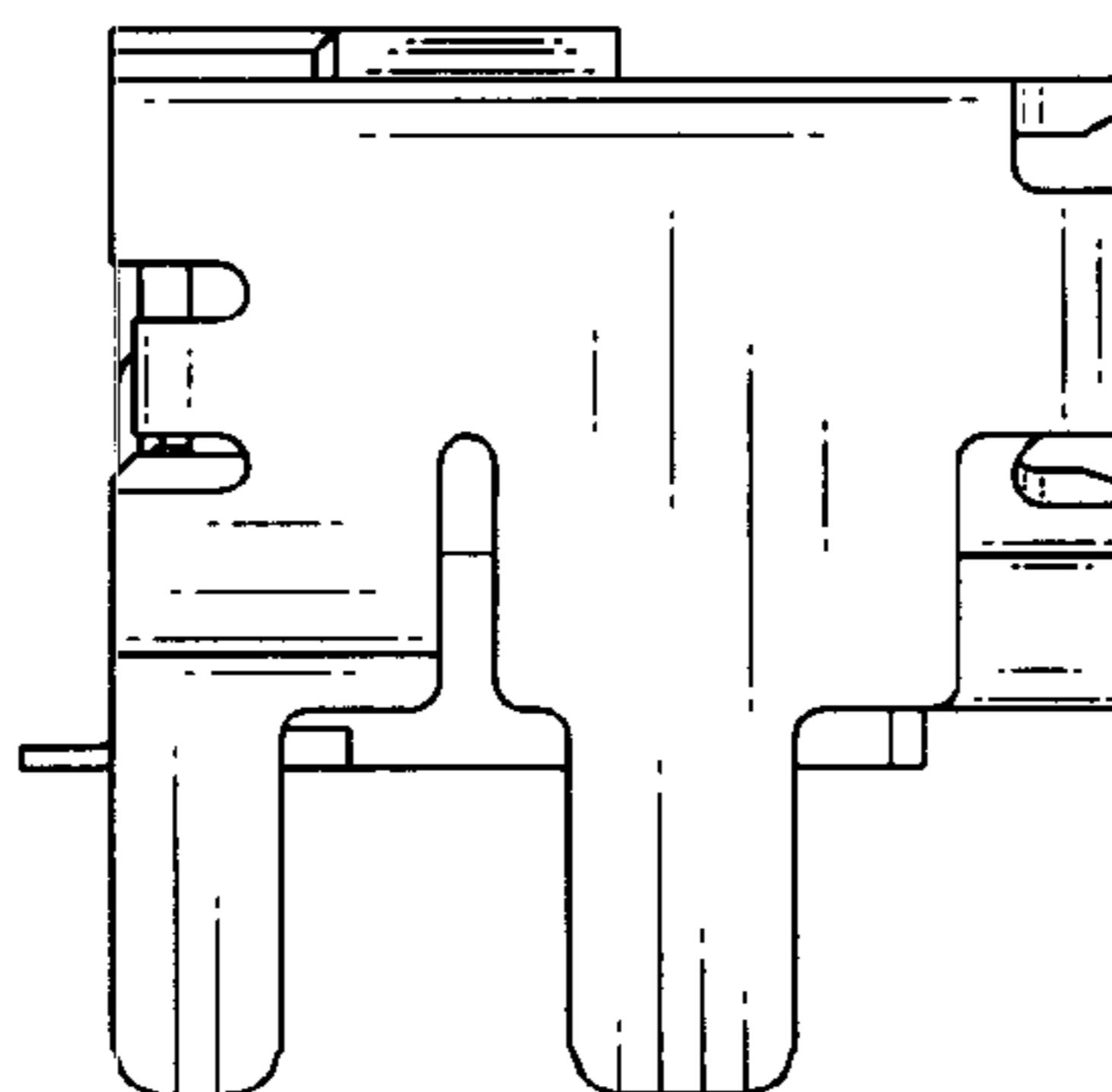


Fig. 6

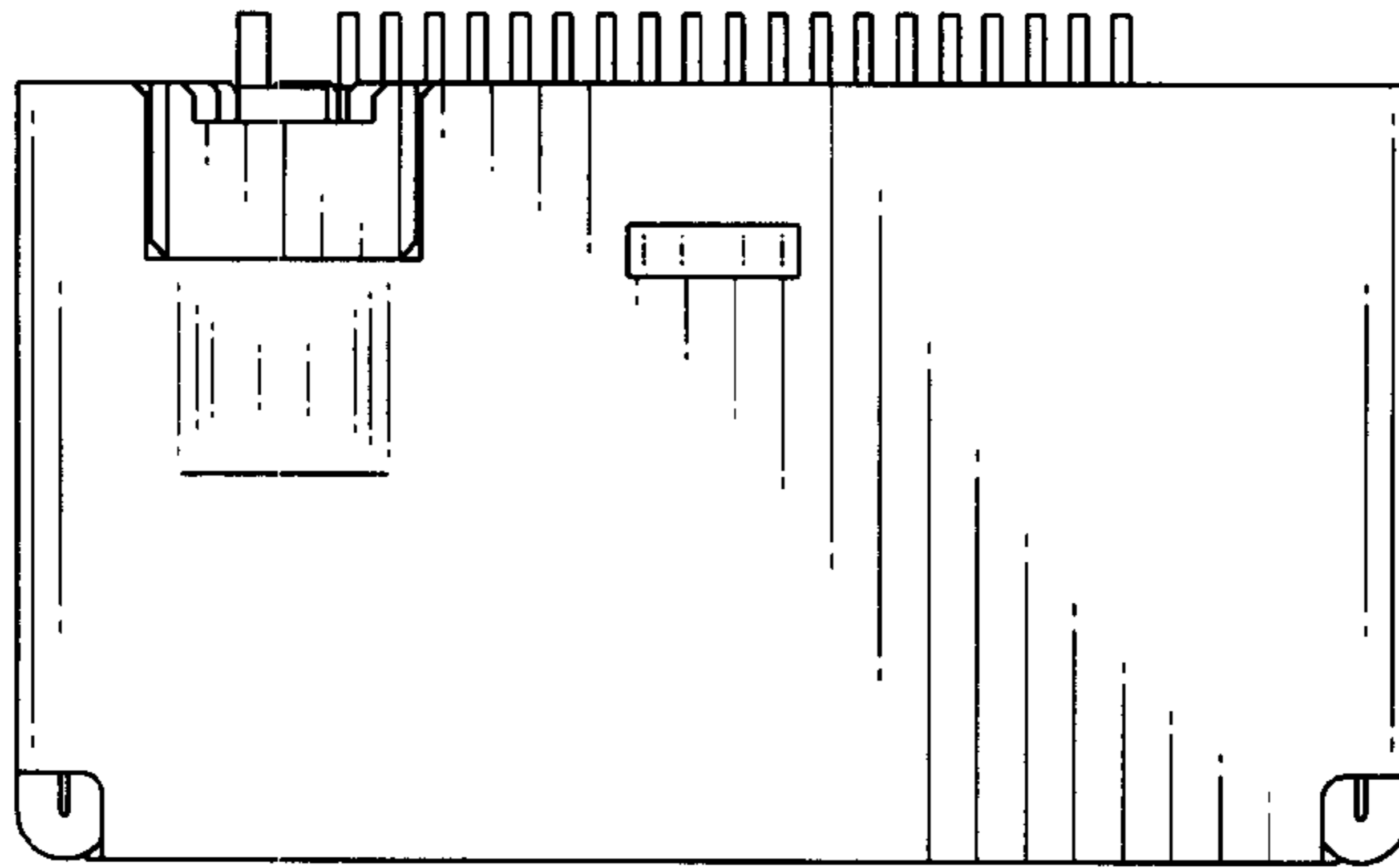


Fig. 7

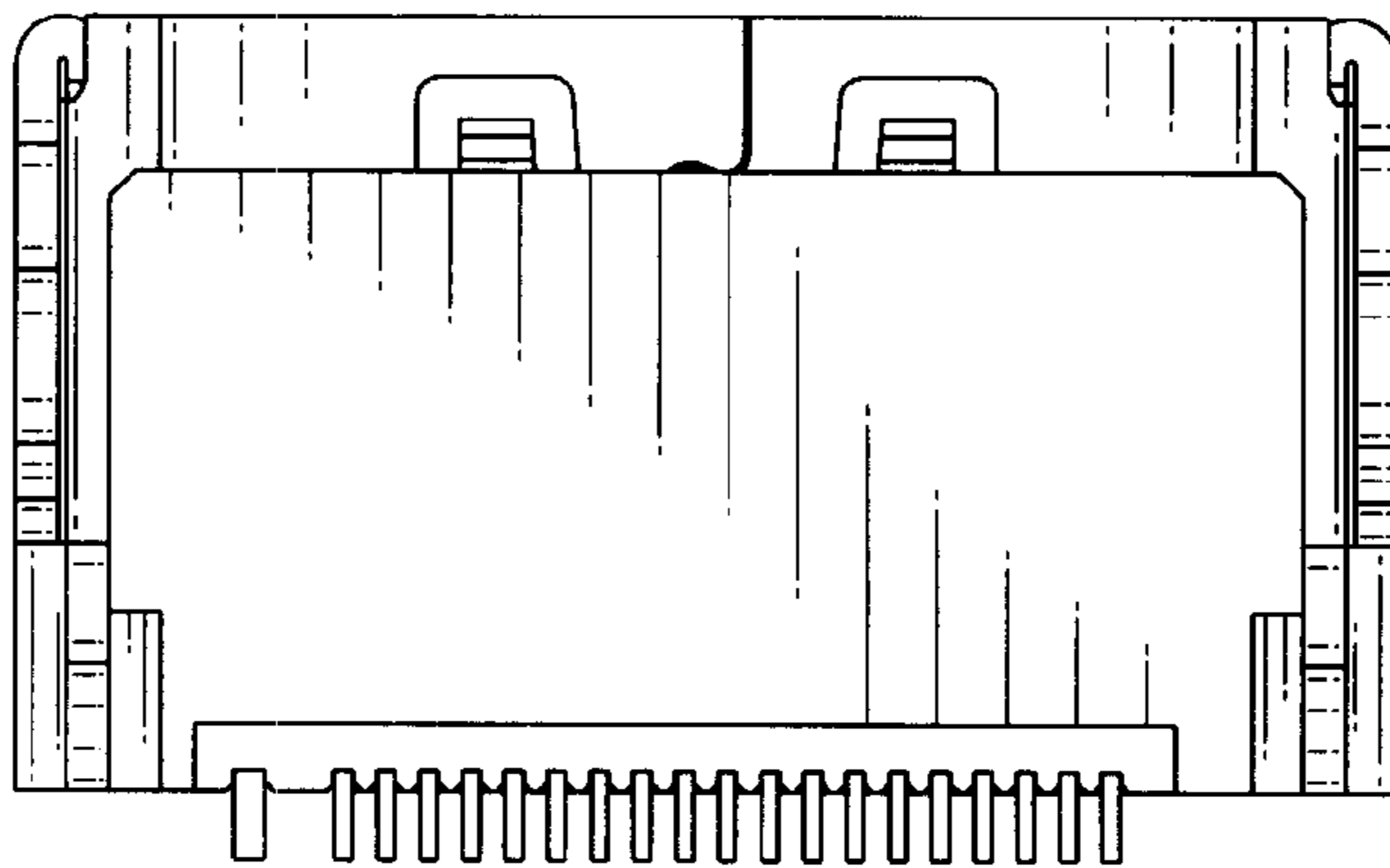


Fig. 8

