



US00D611423S

(12) **United States Design Patent**
Aldridge

(10) **Patent No.:** **US D611,423 S**
(45) **Date of Patent:** **** Mar. 9, 2010**

(54) **CONNECTOR**

D412,311 S * 7/1999 Silvershein D12/416
D582,850 S * 12/2008 Andre D13/133

(75) Inventor: **Ian Edward Aldridge**, Southampton
(GB)

* cited by examiner

(73) Assignee: **Contour Electronics Limited** (GB)

Primary Examiner—Daniel D Bui

(**) Term: **14 Years**

(74) *Attorney, Agent, or Firm*—George R. McGuire; Bond
Schoeneck & King, PLLC

(21) Appl. No.: **29/329,821**

(57) **CLAIM**

(22) Filed: **Dec. 22, 2008**

The ornamental design for a connector, as shown and
described.

(30) **Foreign Application Priority Data**

Aug. 7, 2008 (EM) 000985288-0001

DESCRIPTION

(51) **LOC (9) Cl.** **13-03**

(52) **U.S. Cl.** **D13/147**

(58) **Field of Classification Search** D13/133,
D13/146–147, 153, 154, 184; 439/349, 350,
439/527, 529, 578, 579, 584, 607–610, 842,
439/850, 851, 889, 948

See application file for complete search history.

FIG. 1 is a top plan view of a connector showing my new
design;

FIG. 2 is a front elevation thereof, on a larger scale;

FIG. 3 is a perspective view thereof;

FIG. 4 is a first side elevation view thereof;

FIG. 5 is a rear elevation view thereof, on a larger scale;

FIG. 6 is a bottom view thereof; and,

FIG. 7 is a second side elevation view thereof.

(56) **References Cited**

U.S. PATENT DOCUMENTS

D298,312 S * 11/1988 Sekiguchi D13/147

1 Claim, 4 Drawing Sheets

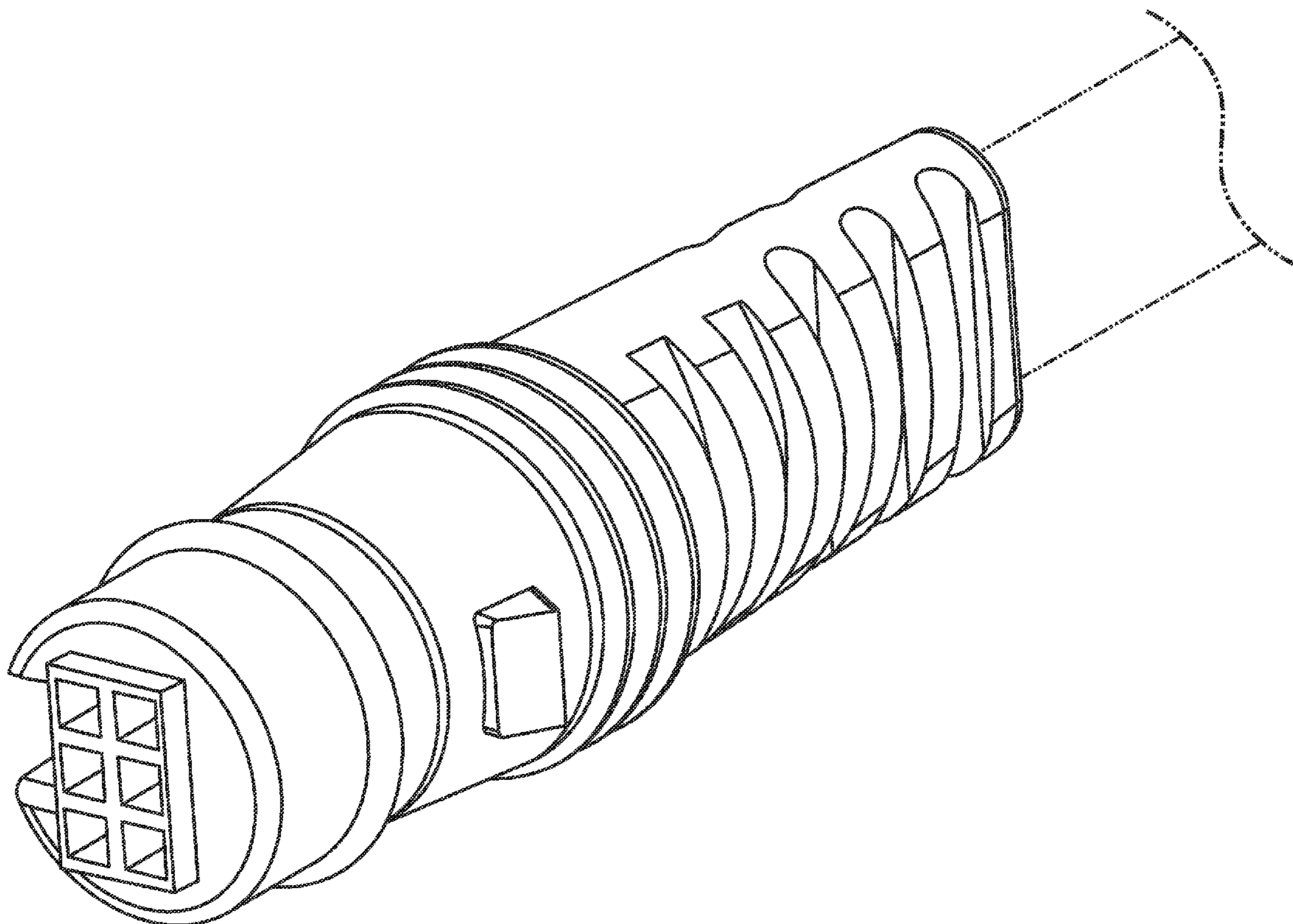


Figure 1

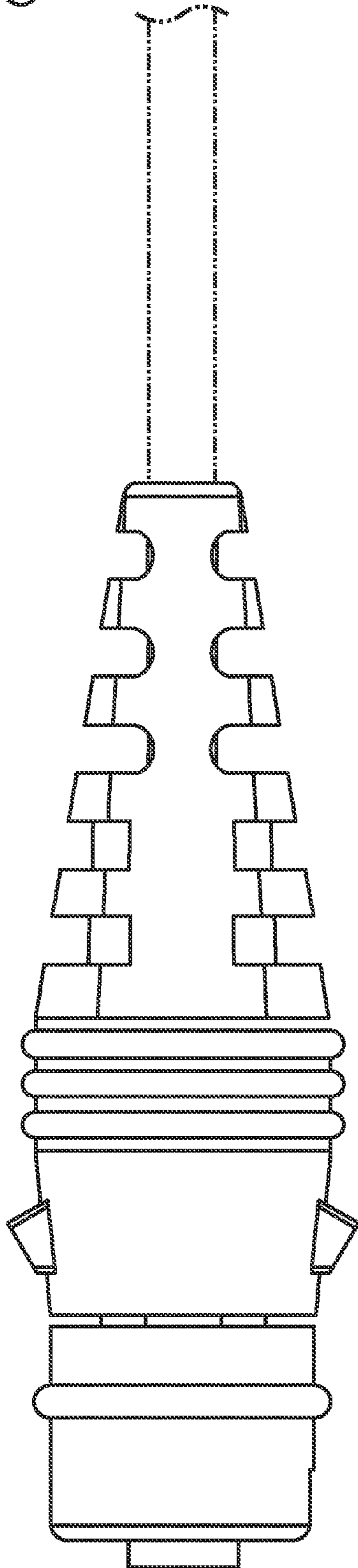


Figure 6

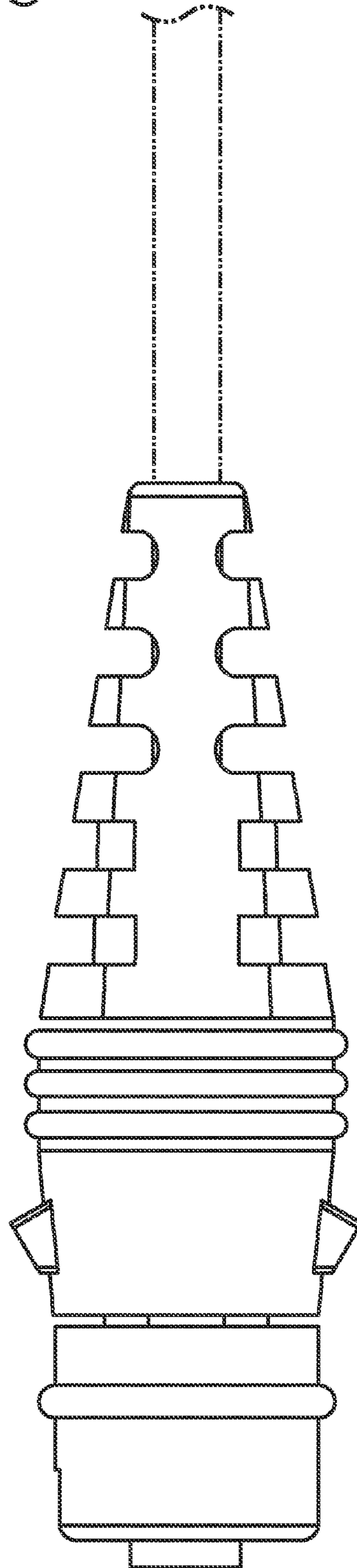


Figure 2

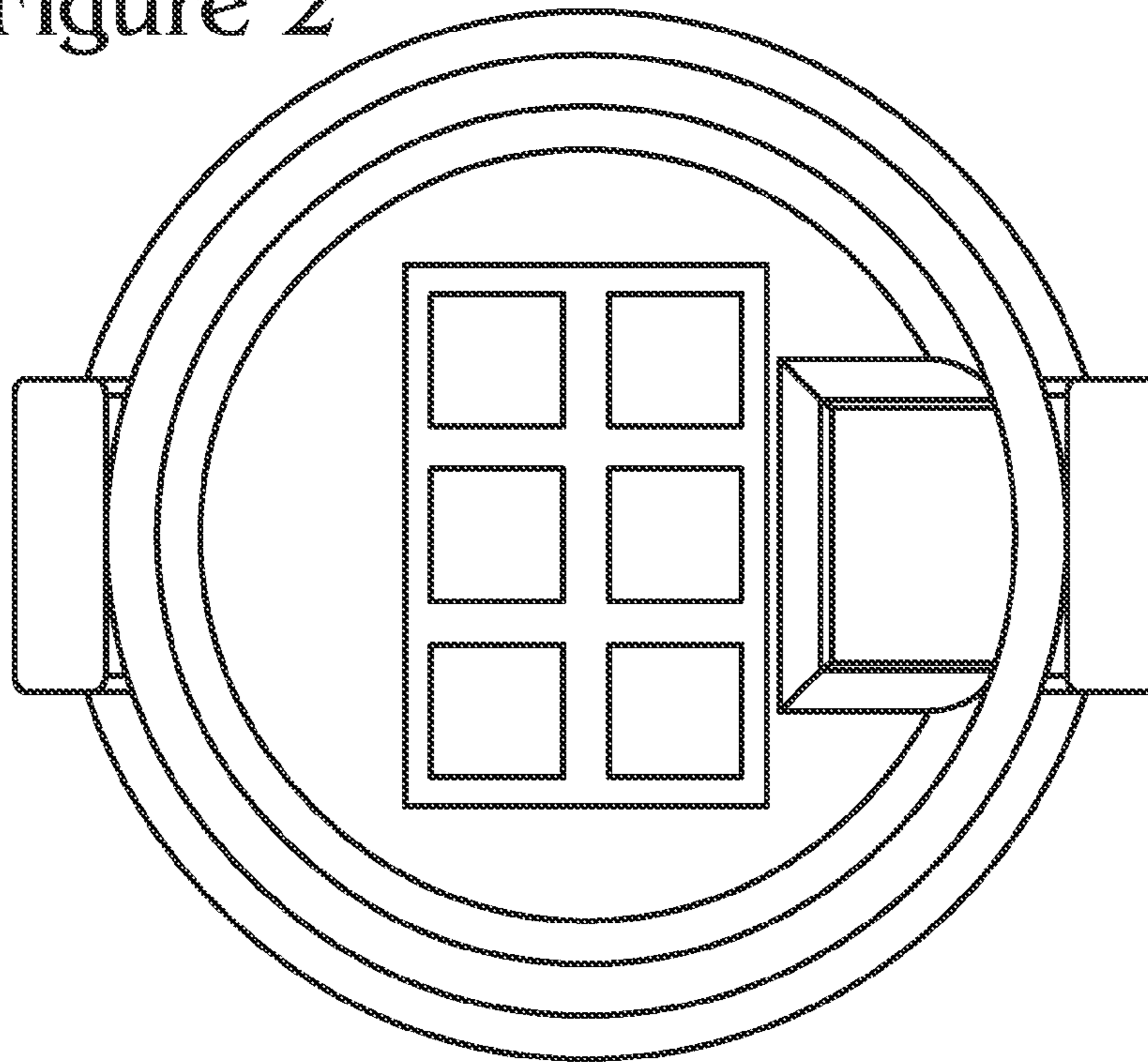
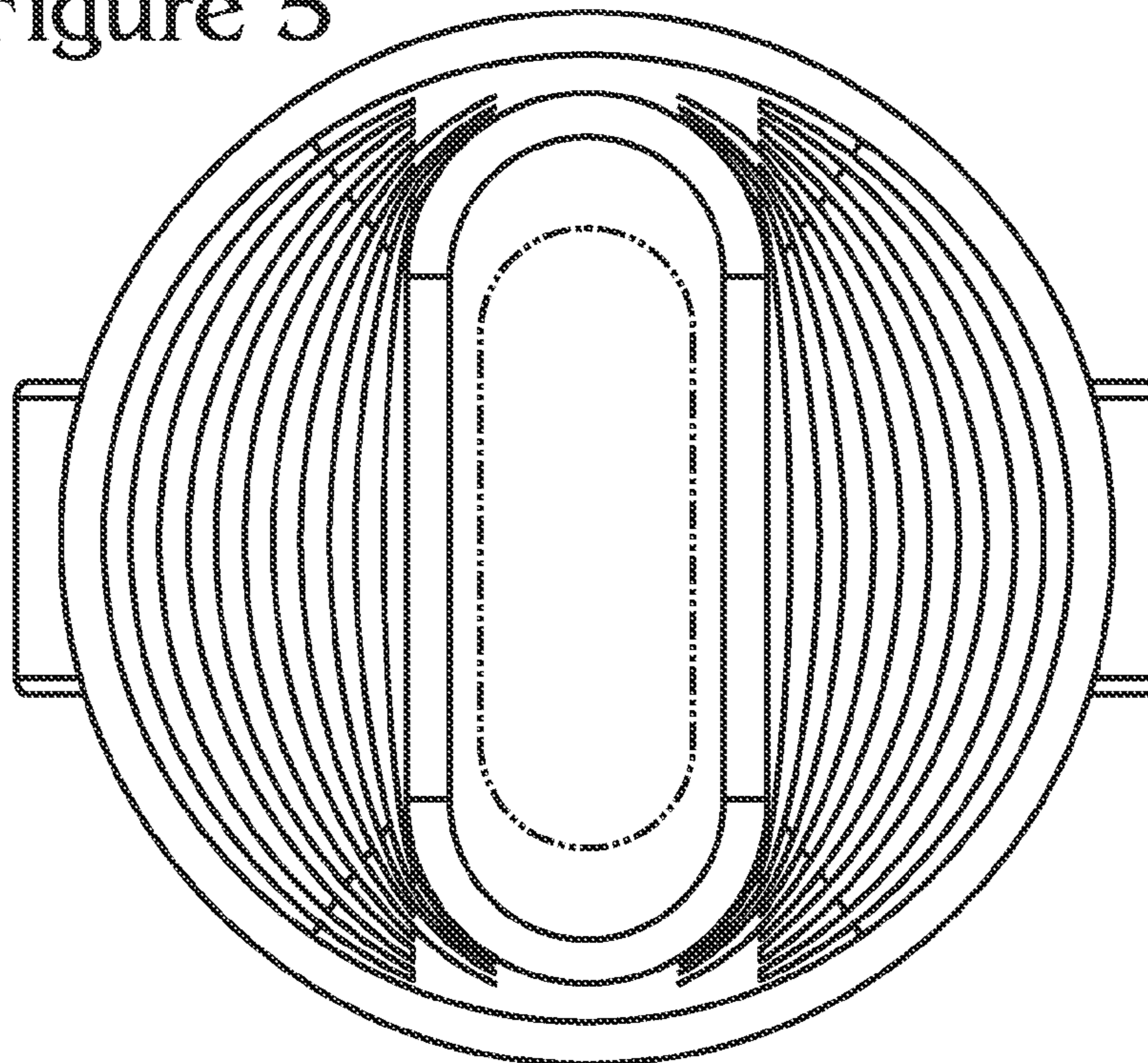


Figure 5



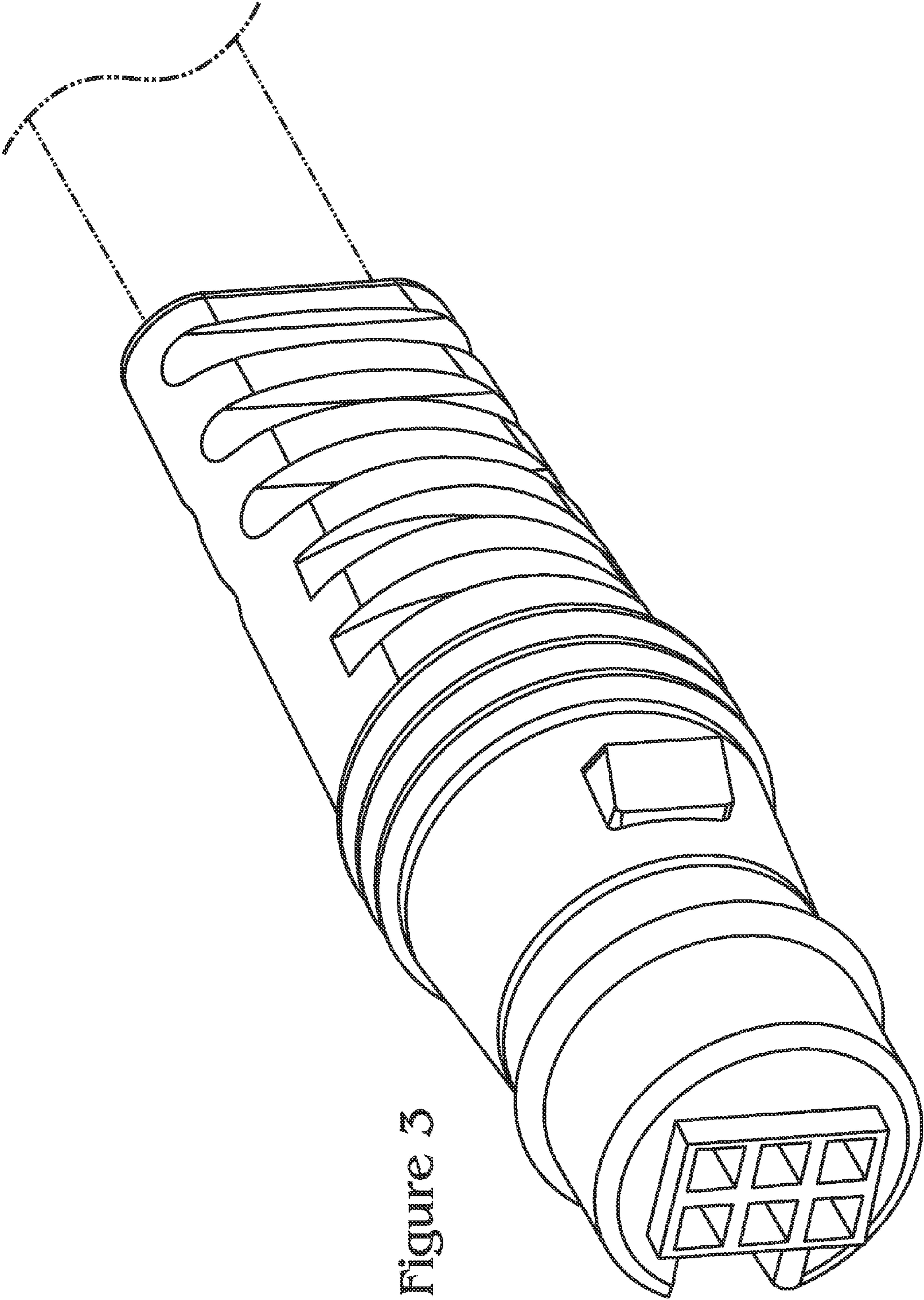


Figure 3

Figure 4

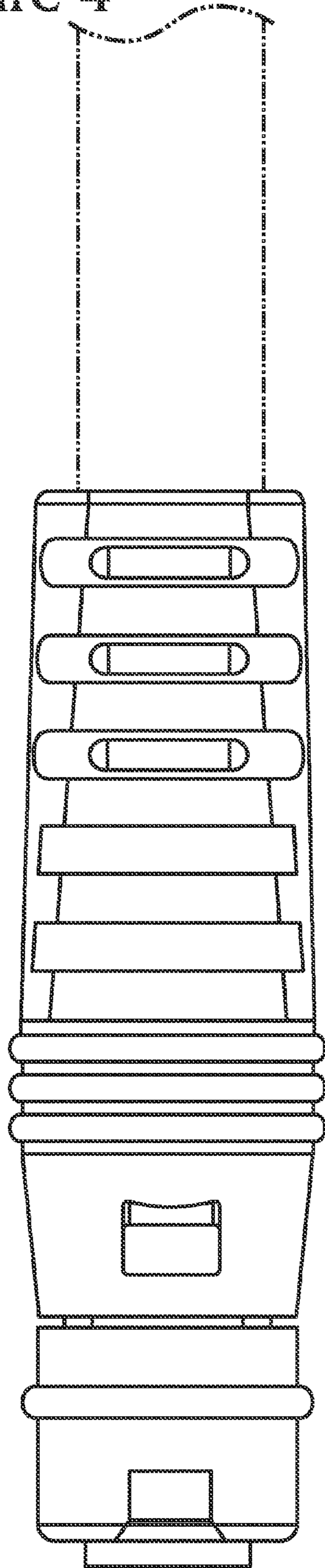


Figure 7

