



US00D611422S

(12) **United States Design Patent**
Kato

(10) **Patent No.:** **US D611,422 S**
(45) **Date of Patent:** **** Mar. 9, 2010**

(54) **OPTICAL CONNECTOR**

(75) Inventor: **Seiji Kato**, Sakura (JP)

(73) Assignee: **Fujikura Ltd.**, Tokyo (JP)

(**) Term: **14 Years**

(21) Appl. No.: **29/311,794**

(22) Filed: **Jun. 24, 2009**

(30) **Foreign Application Priority Data**

Dec. 24, 2008 (JP) 2008-328268

(51) **LOC (9) Cl.** **13-03**

(52) **U.S. Cl.** **D13/147**

(58) **Field of Classification Search** D13/133,
D13/146–147, 154, 184; 385/55, 59–60,
385/71, 78, 80, 83, 89–91; 439/353, 358,
439/660, 682

See application file for complete search history.

(56) **References Cited**

U.S. PATENT DOCUMENTS

5,422,971 A * 6/1995 Honjo et al. 385/80
5,799,122 A * 8/1998 Jeong et al. 385/59
5,923,803 A * 7/1999 Bunin et al. 385/80
6,168,317 B1 * 1/2001 Shahid 385/71
6,634,800 B2 * 10/2003 Suematsu et al. 385/80
D526,276 S * 8/2006 Shiraishi et al. D13/146

D590,773 S * 4/2009 Suematsu et al. D13/147
2001/0007603 A1 * 7/2001 Sakurai et al. 385/60
2001/0053266 A1 * 12/2001 Suematsu et al. 385/80
2006/0245695 A1 * 11/2006 Fujiwara et al. 385/71
2009/0257718 A1 * 10/2009 Nishimura et al. 385/80

* cited by examiner

Primary Examiner—Daniel D Bui

(74) *Attorney, Agent, or Firm*—Nixon & Vanderhye P.C.

(57) **CLAIM**

The ornamental design for an optical connector, as shown and described.

DESCRIPTION

FIG. 1 is a front perspective view of an optical connector.

FIG. 2 is a rear perspective view thereof.

FIG. 3 is a front elevation view thereof.

FIG. 4 is a rear elevation view thereof.

FIG. 5 is left side elevation view thereof. A right side elevation view is symmetrical with the left side elevation view; and,

FIG. 6 is a top plan view thereof.

The broken lines shown in the drawings are for the purpose of showing environmental structure only and form no part of the claimed design.

1 Claim, 6 Drawing Sheets

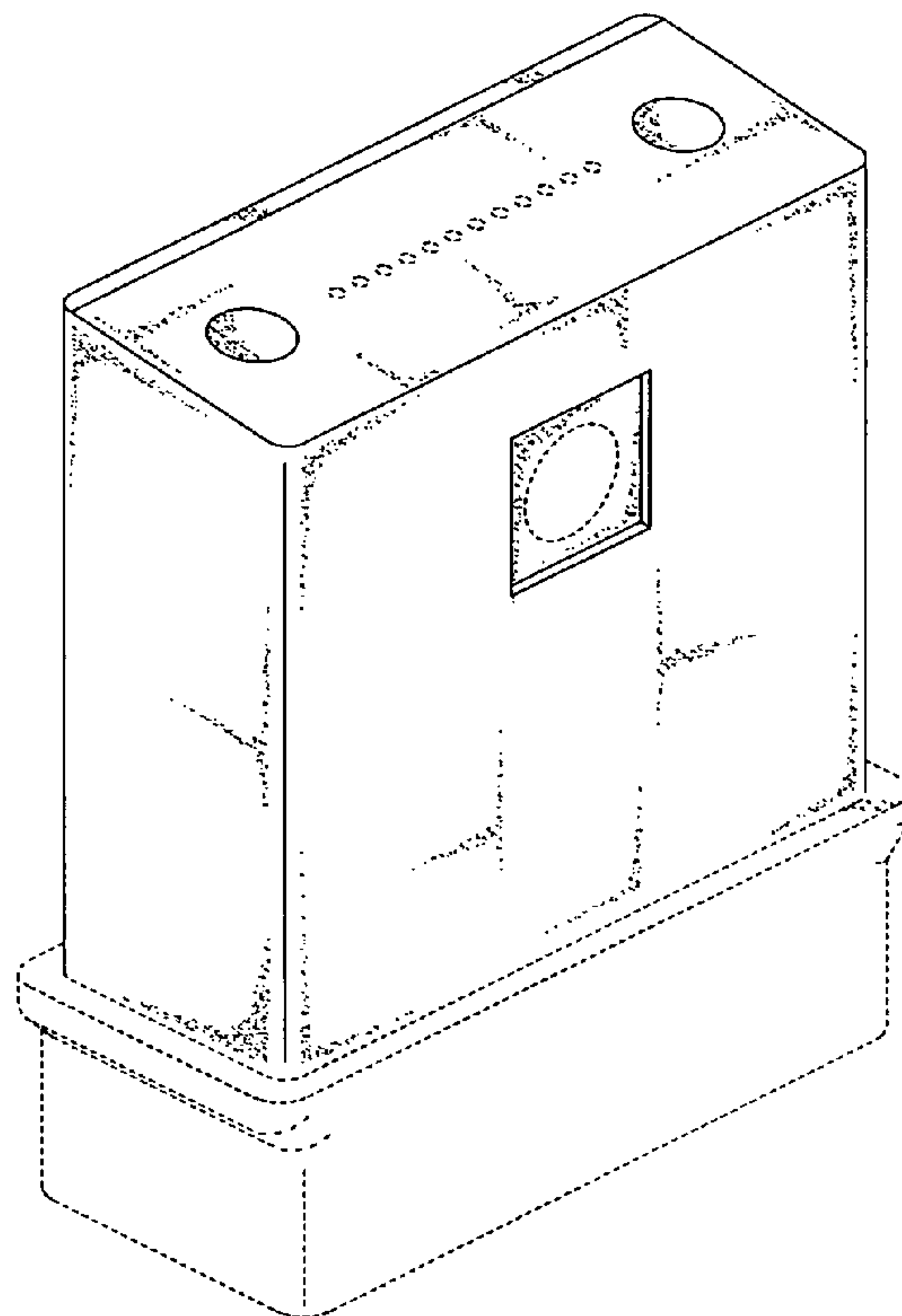


FIG. 1

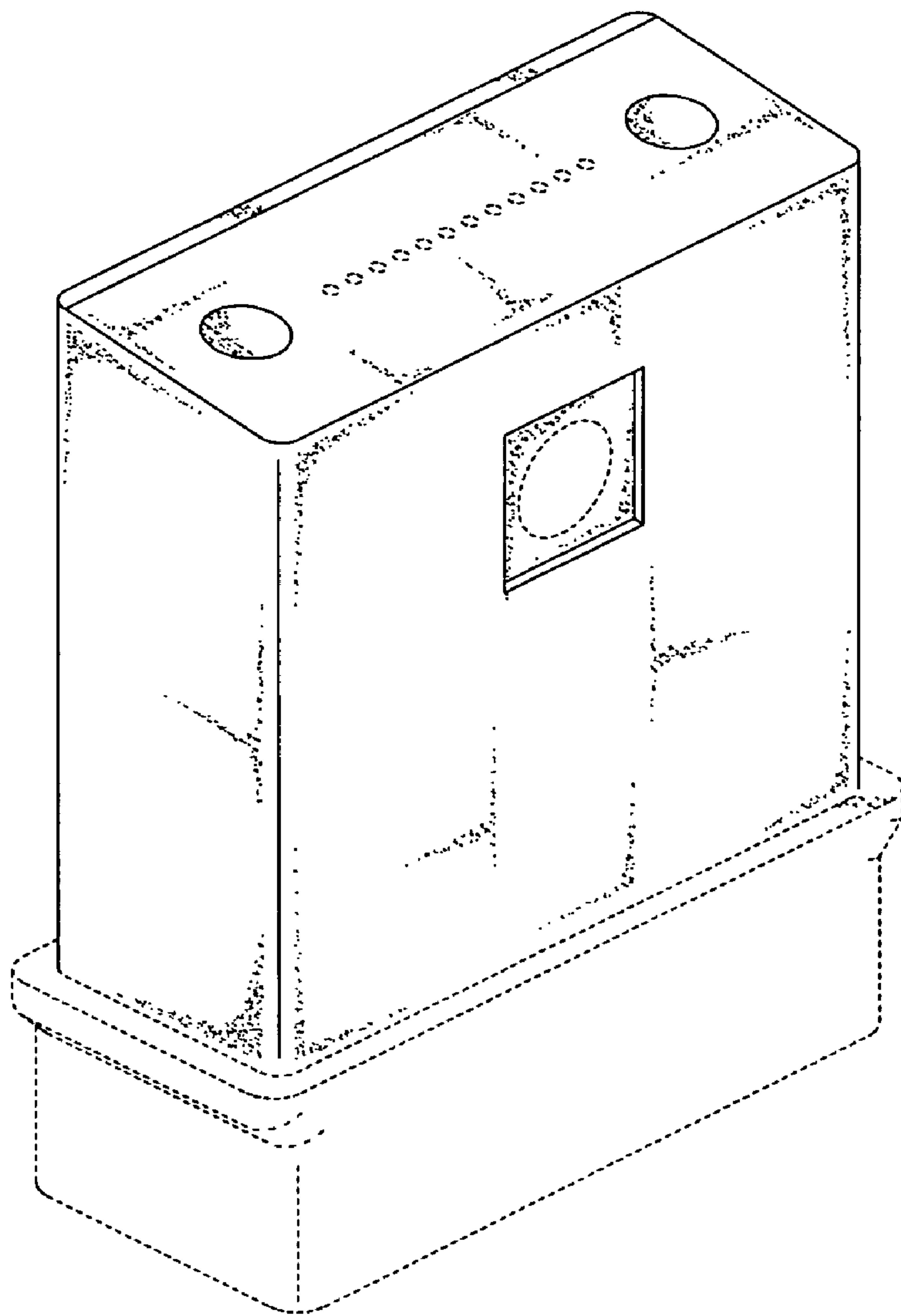


FIG. 2

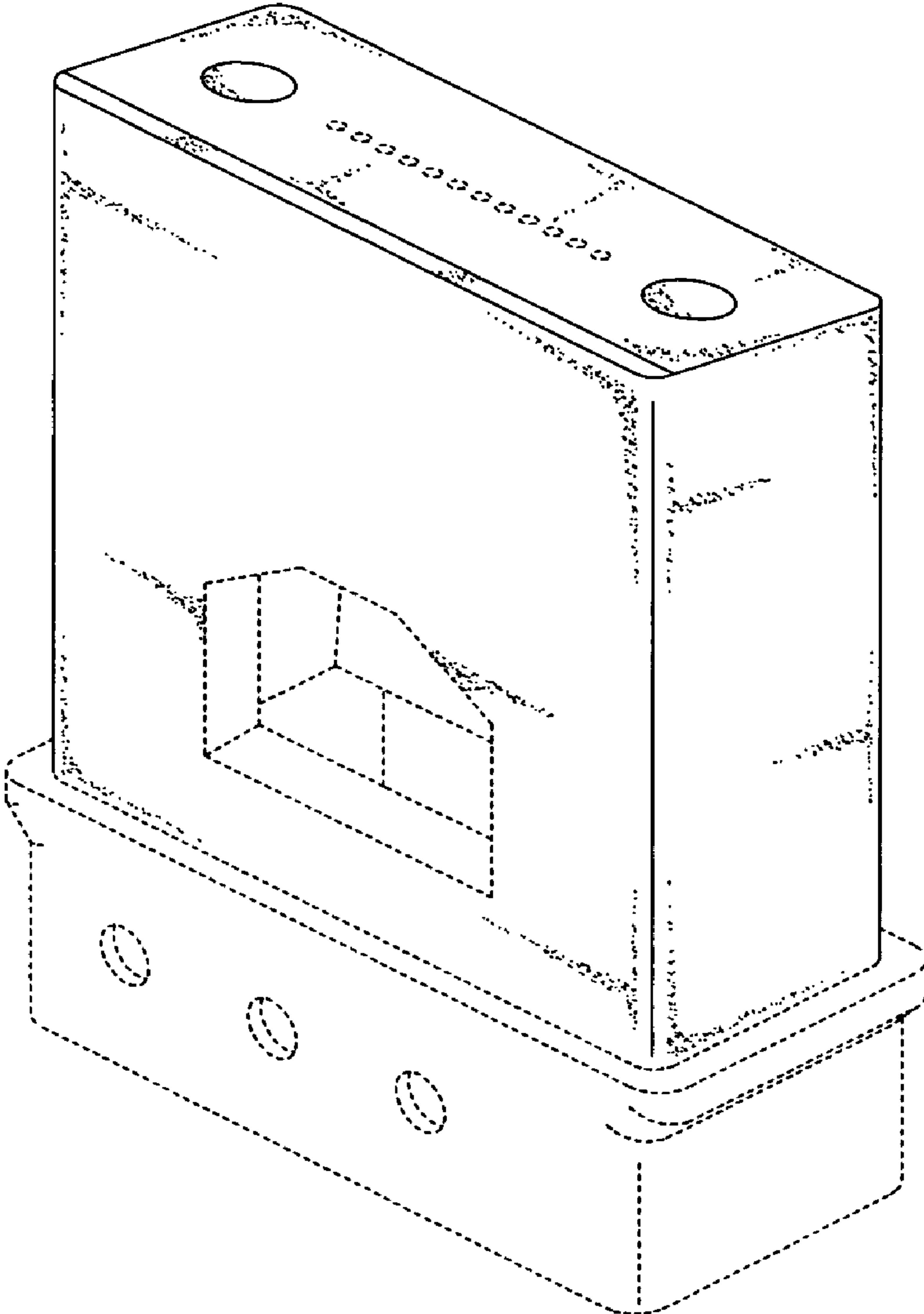


FIG. 3

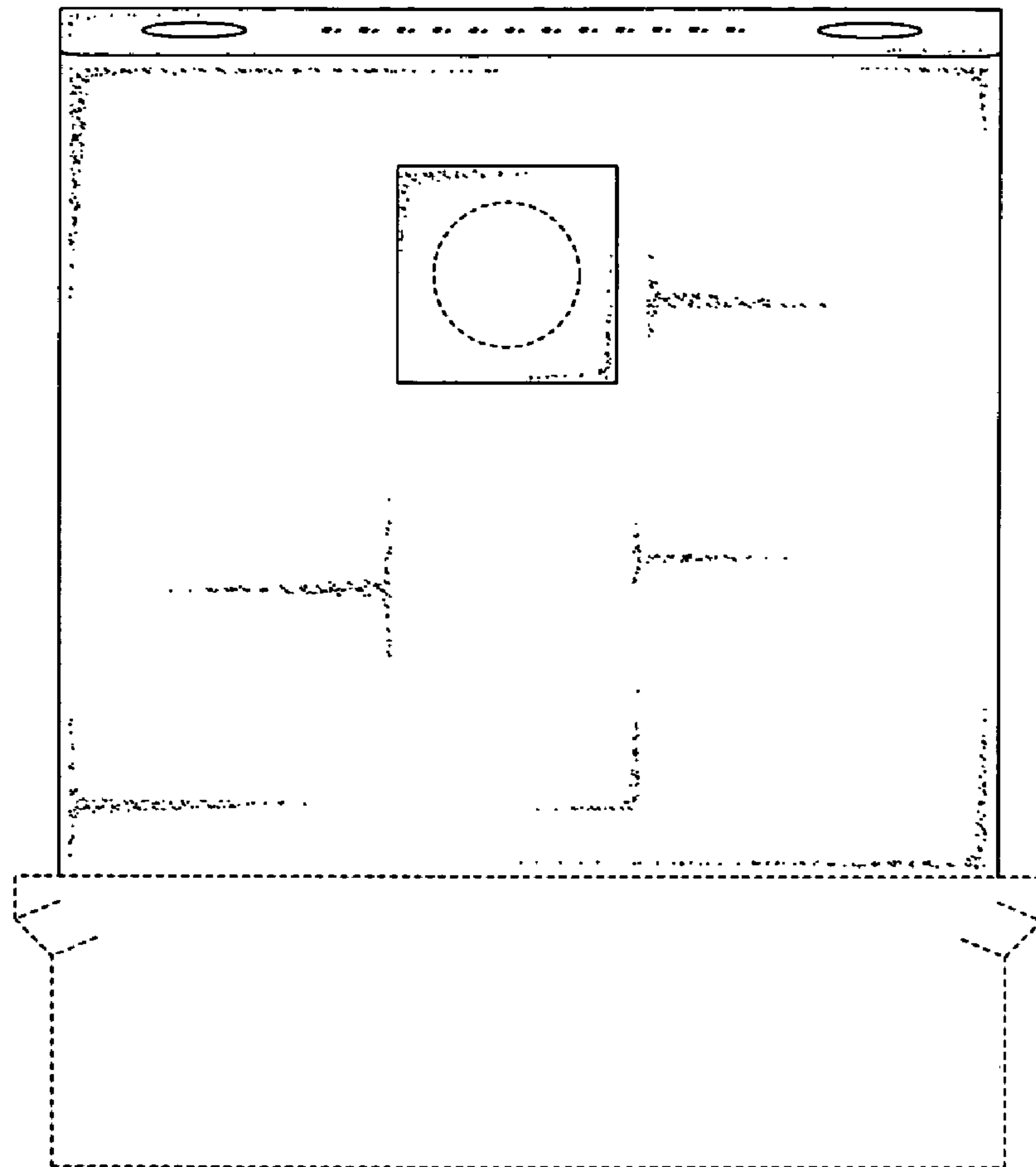


FIG. 4

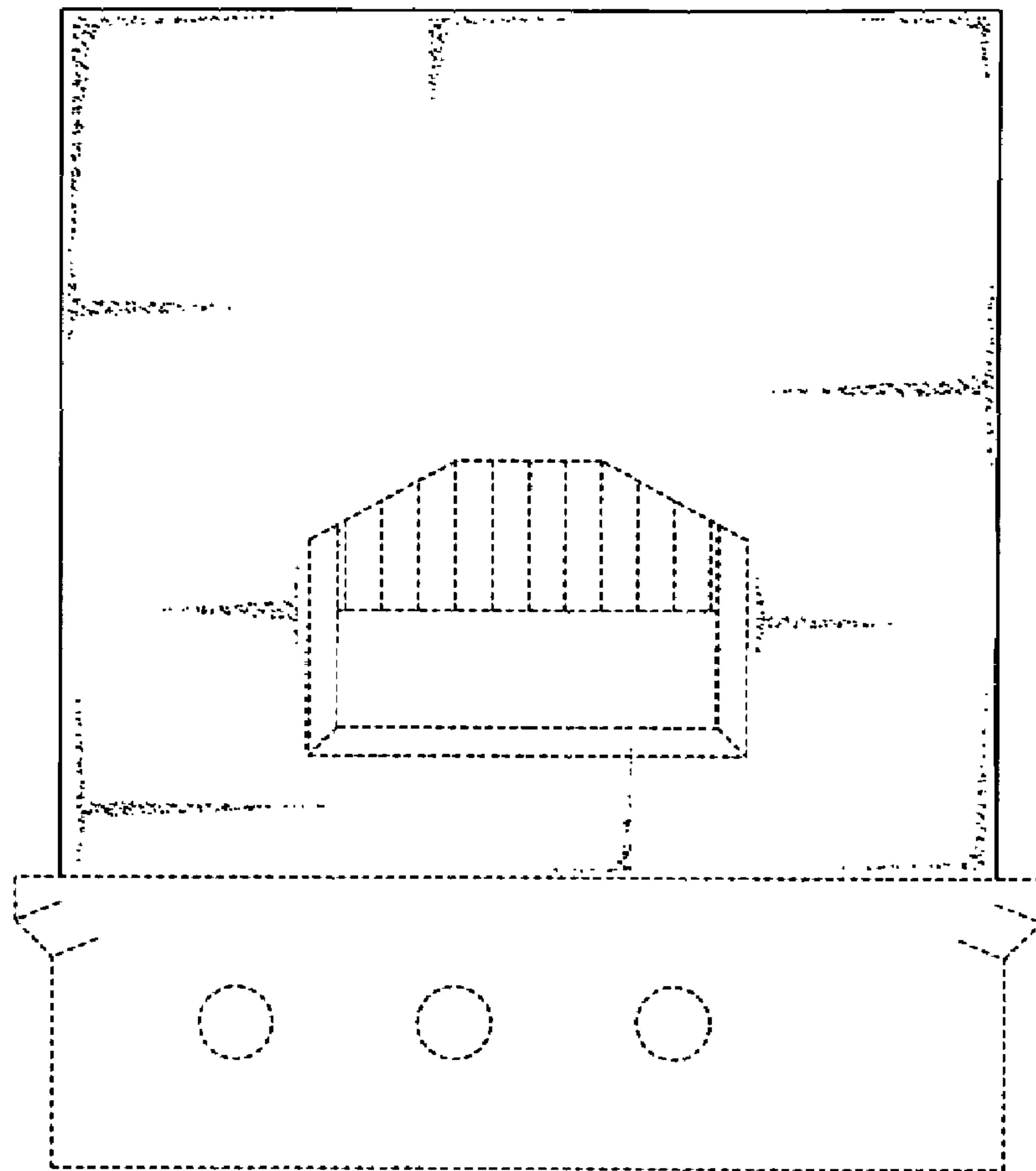


FIG. 5

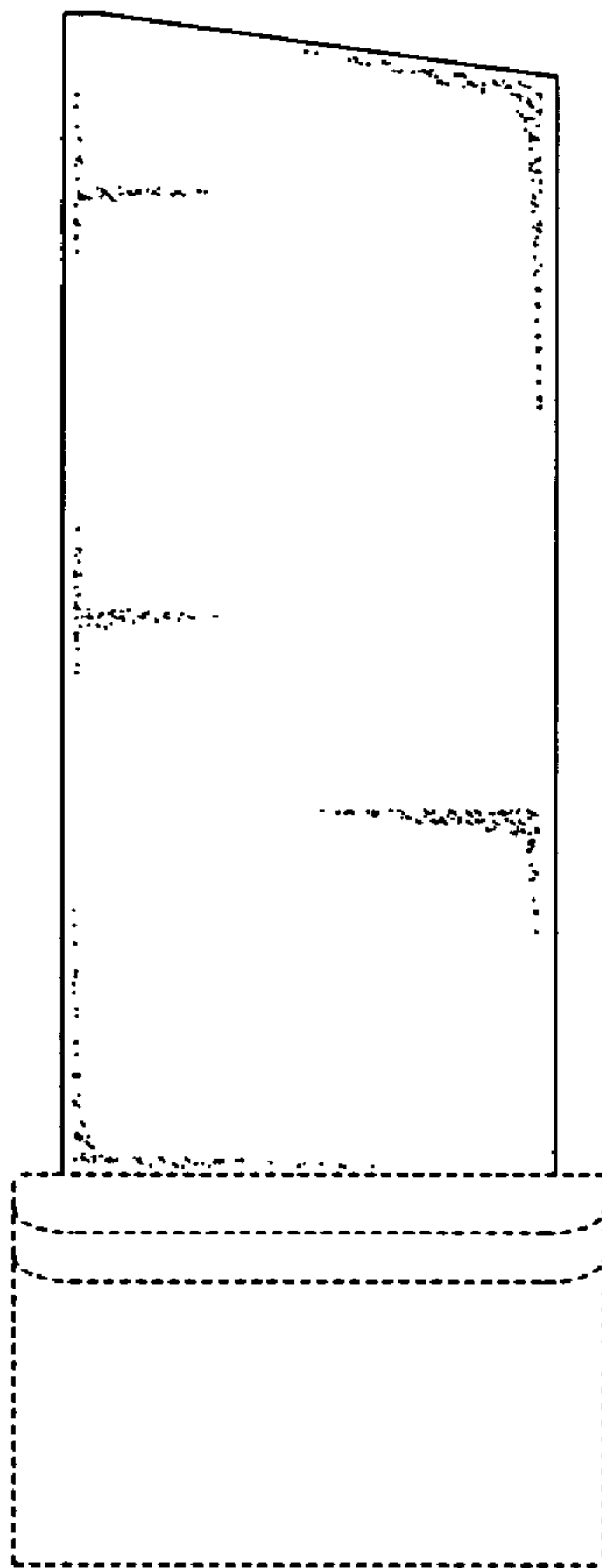


FIG. 6

