



US00D611419S

(12) **United States Design Patent**  
**Tsai et al.**

(10) **Patent No.:** **US D611,419 S**  
(45) **Date of Patent:** **\*\* \*Mar. 9, 2010**

(54) **ELECTRICAL CONNECTOR**

(75) Inventors: **Tzu-Ching Tsai**, Tu-Cheng (TW);  
**Ren-Chih Li**, Tu-cheng (TW)

(73) Assignee: **Hon Hai Precision Ind. Co., Ltd.**,  
Taipei Hsien (TW)

(\*) Notice: This patent is subject to a terminal disclaimer.

(\*\*) Term: **14 Years**

(21) Appl. No.: **29/310,952**

(22) Filed: **Sep. 19, 2008**

(30) **Foreign Application Priority Data**

Mar. 24, 2008 (CN) ..... 097301707

(51) **LOC (9) Cl.** ..... **13-03**

(52) **U.S. Cl.** ..... **D13/147**

(58) **Field of Classification Search** ..... D13/147,  
D13/154, 184; 439/79, 108, 607-610, 660,  
439/668, 680

See application file for complete search history.

(56) **References Cited**

**U.S. PATENT DOCUMENTS**

D364,377 S \* 11/1995 Johnson et al. .... D13/146

D394,864 S \* 6/1998 Brandt ..... D14/256  
D406,563 S \* 3/1999 Kuo ..... D13/147  
D578,070 S \* 10/2008 Shen et al. .... D13/147  
D587,208 S \* 2/2009 Tsai et al. .... D13/147  
D587,209 S \* 2/2009 Tsai et al. .... D13/147

\* cited by examiner

*Primary Examiner*—Daniel D Bui

(74) *Attorney, Agent, or Firm*—Andrew C. Cheng; Wei Te Chung; Ming Chieh Chang

(57) **CLAIM**

The ornamental design for an electrical connector, as shown.

**DESCRIPTION**

FIG. 1 is a front, top and right side perspective view of an electrical connector showing our new design;

FIG. 2 is a front elevational view thereof;

FIG. 3 is a rear elevational view thereof;

FIG. 4 is a left side elevational view thereof;

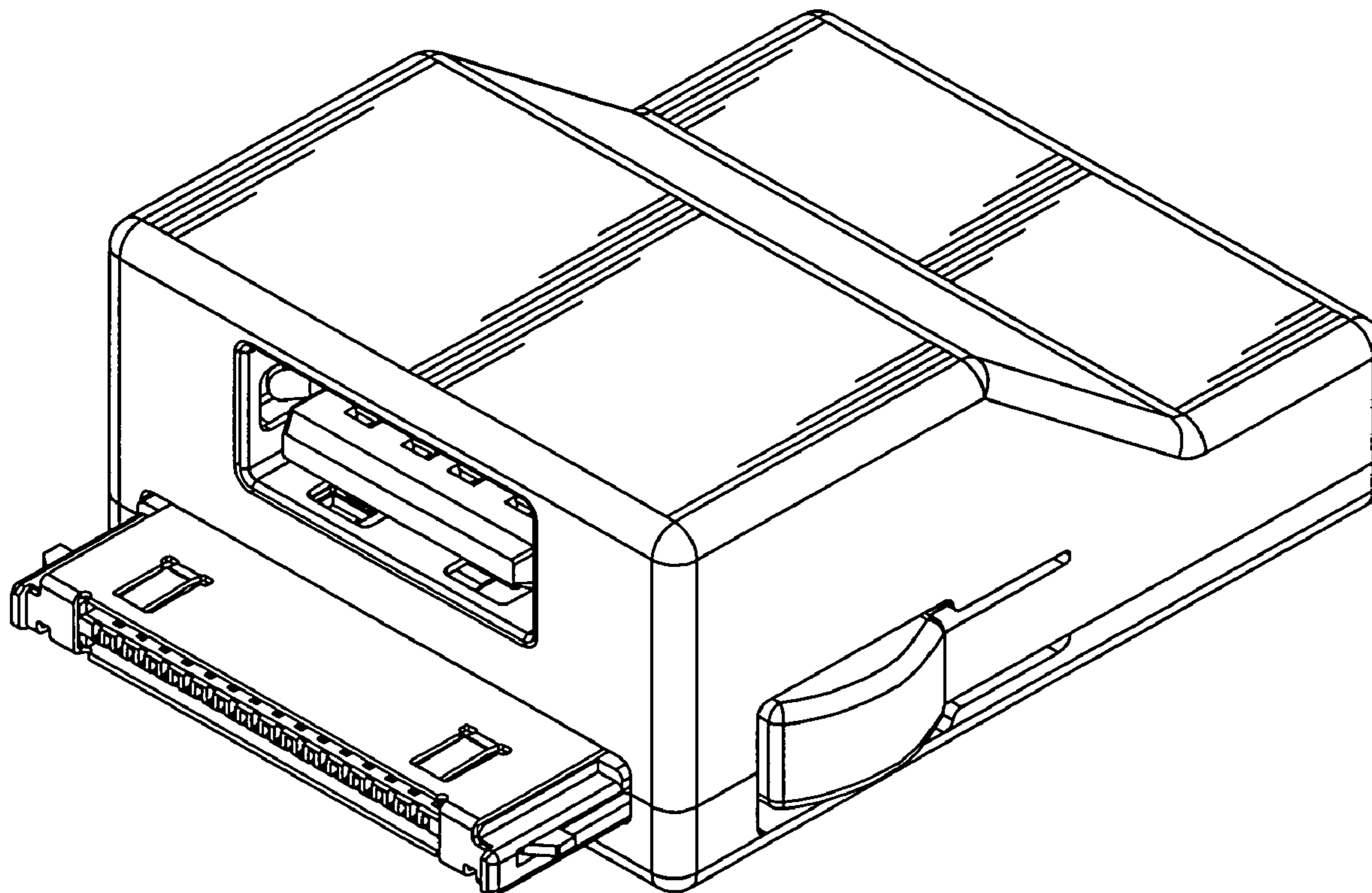
FIG. 5 is a right side elevational view thereof;

FIG. 6 is a top plan view thereof;

FIG. 7 is a bottom plan view thereof; and,

FIG. 8 is a rear, top and left side perspective view thereof.

**1 Claim, 8 Drawing Sheets**



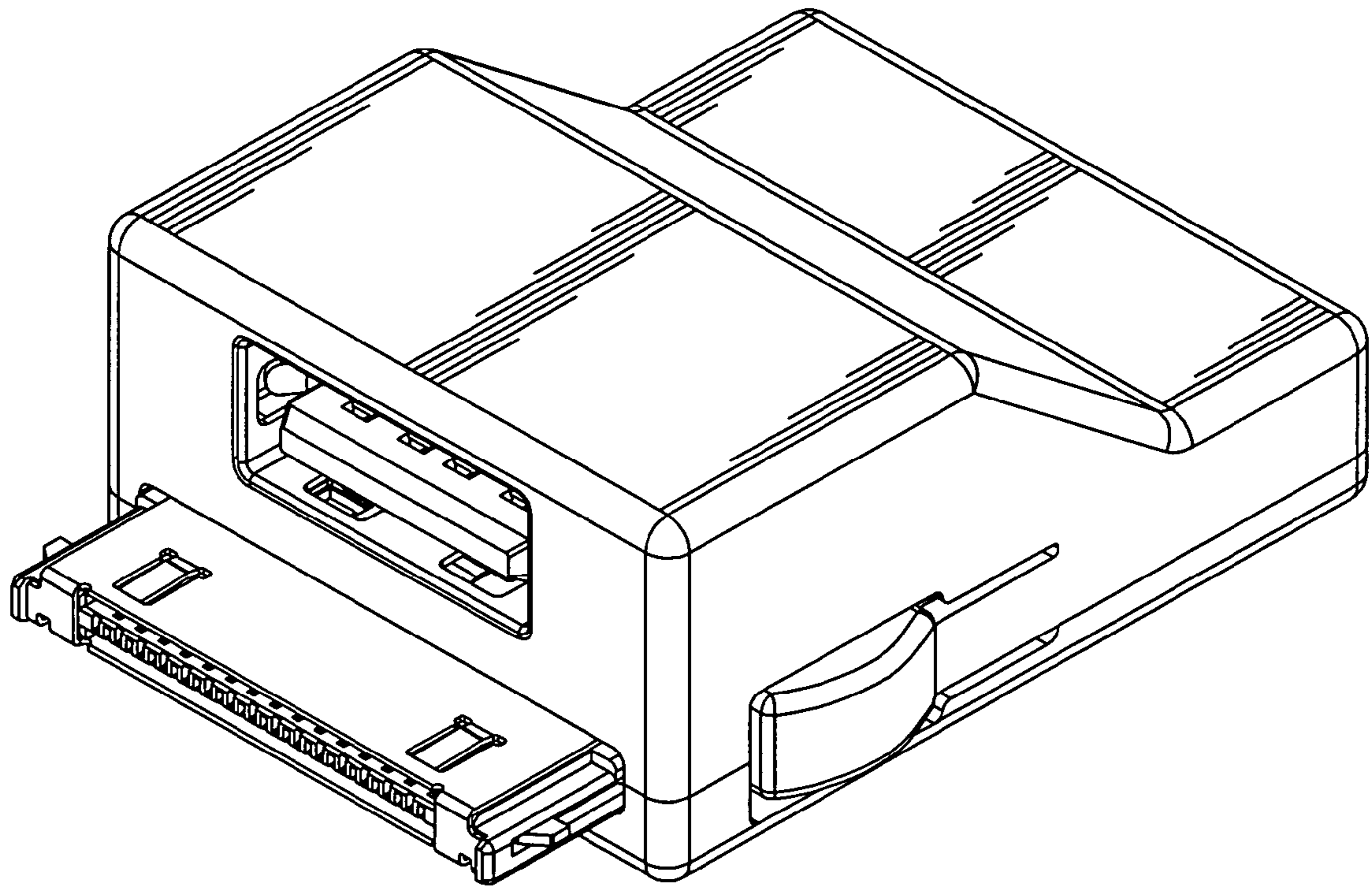


FIG. 1

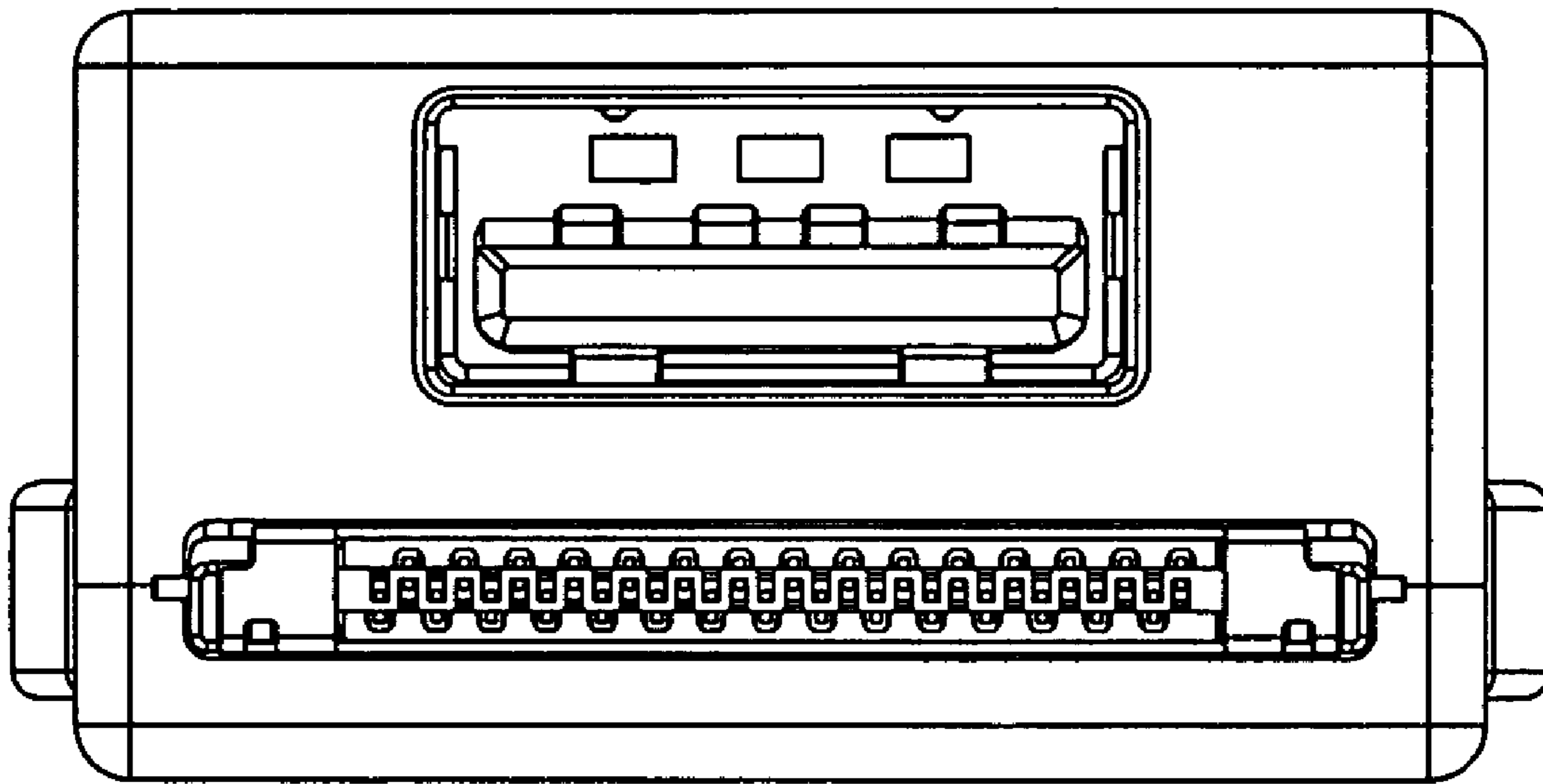


FIG. 2

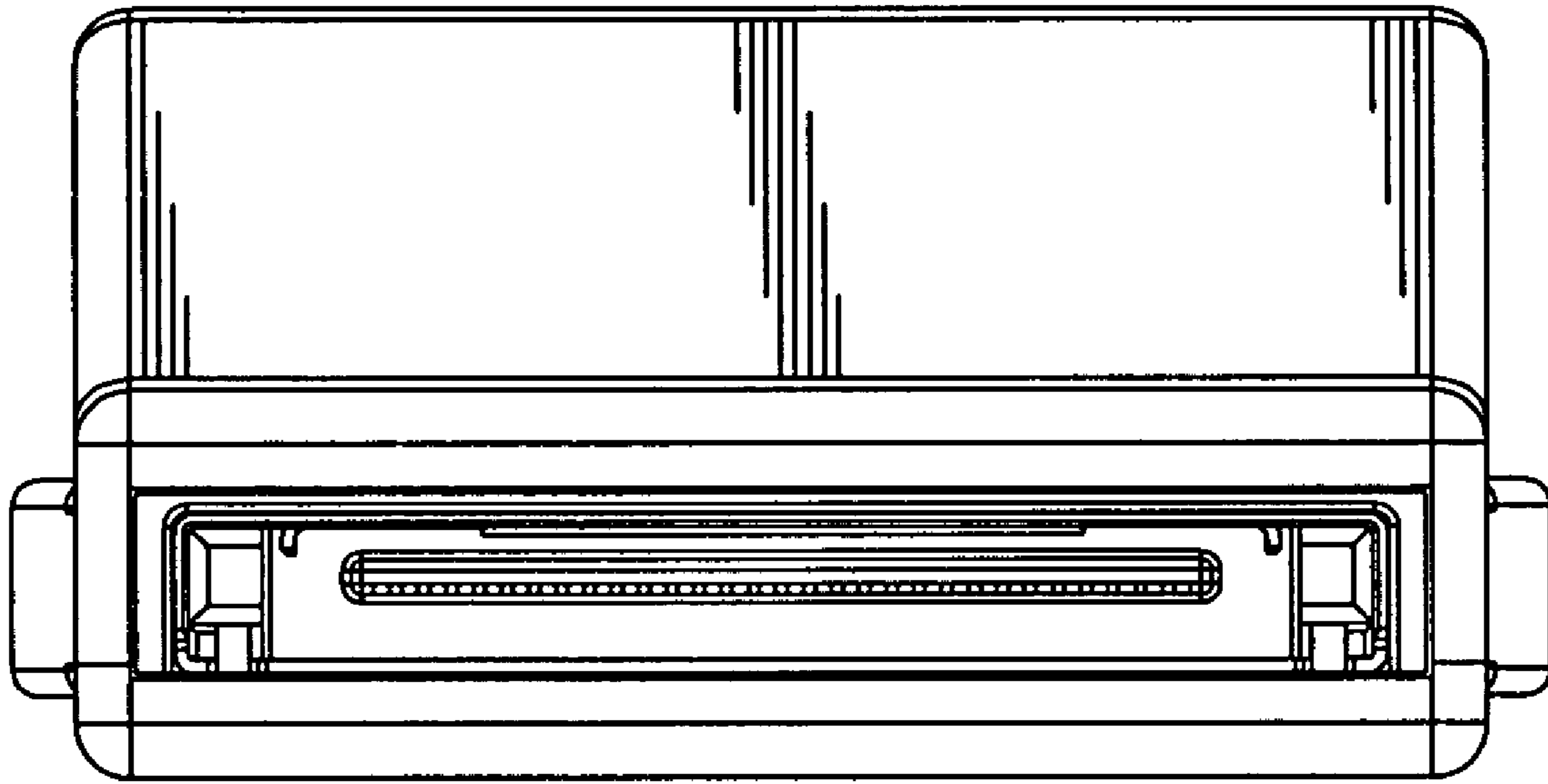


FIG. 3

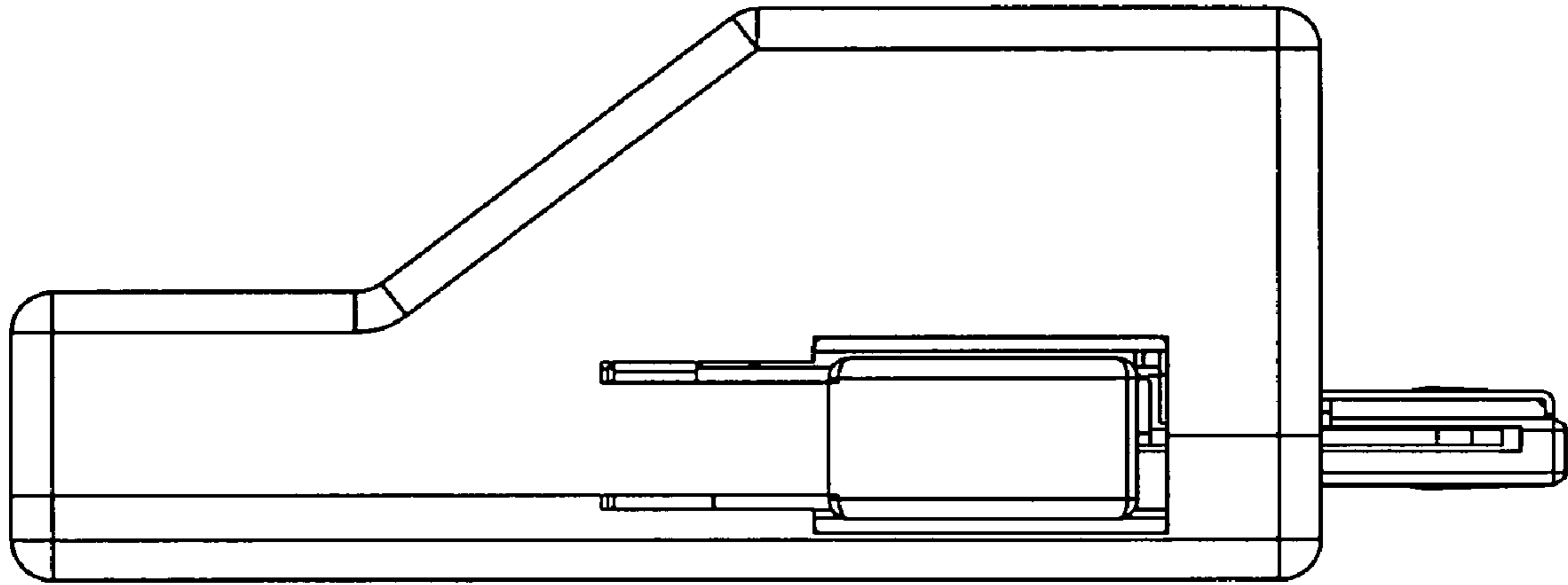


FIG. 4

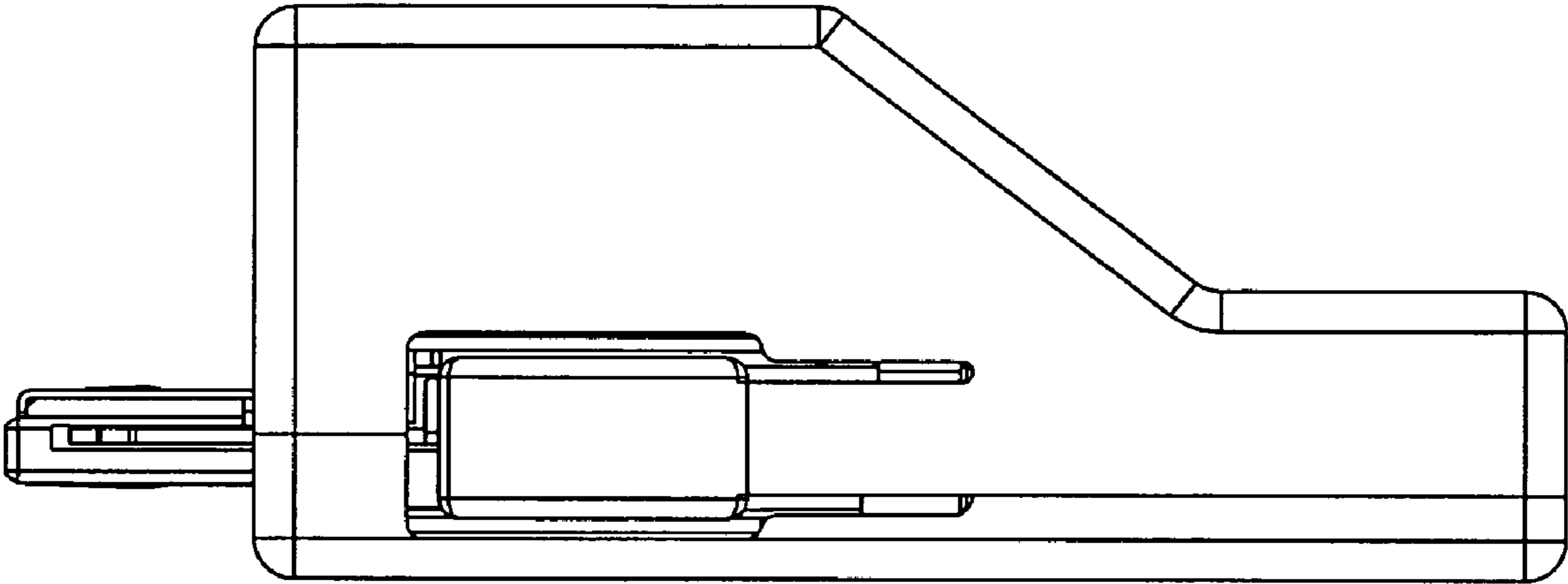


FIG. 5

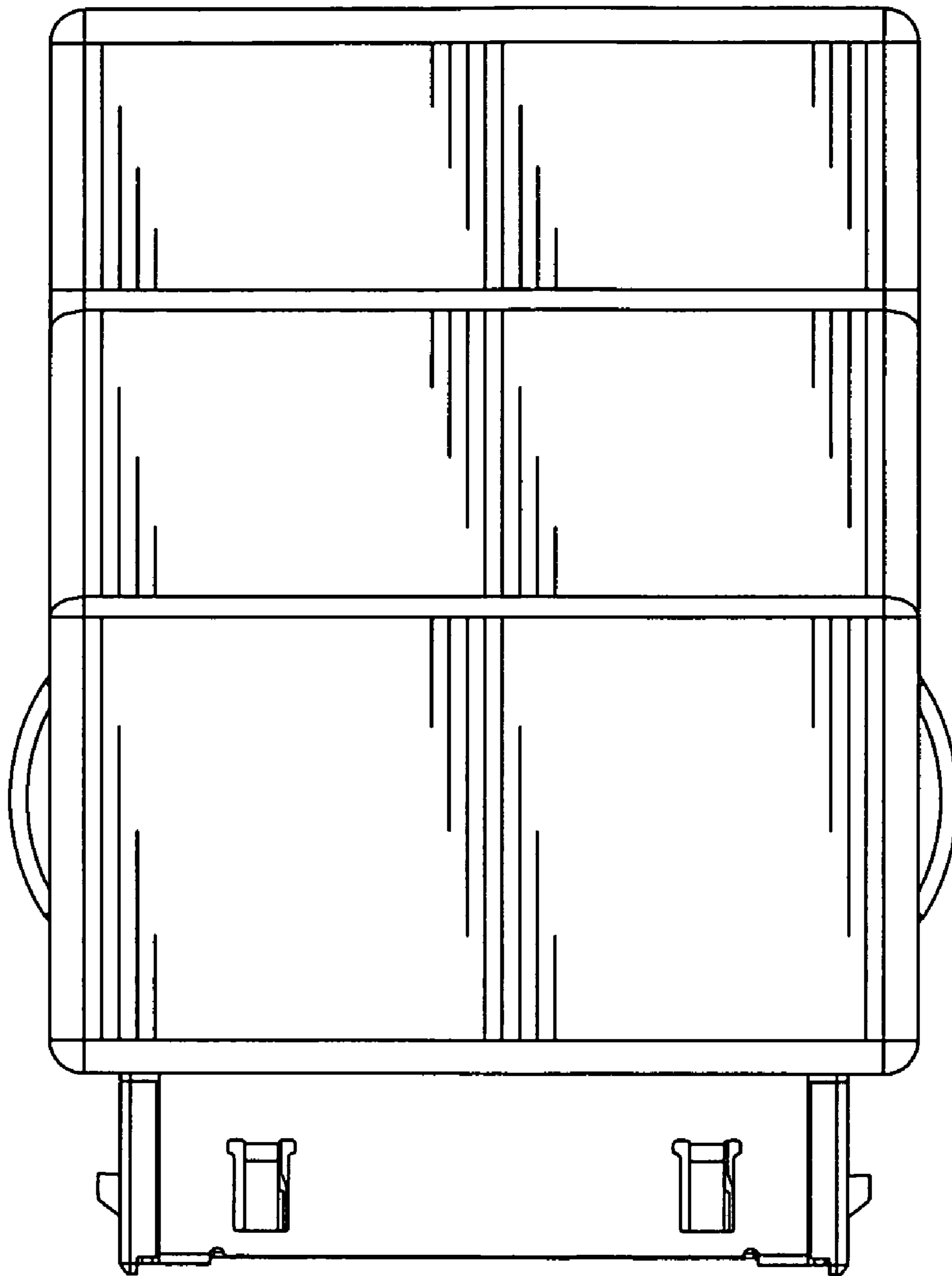


FIG. 6

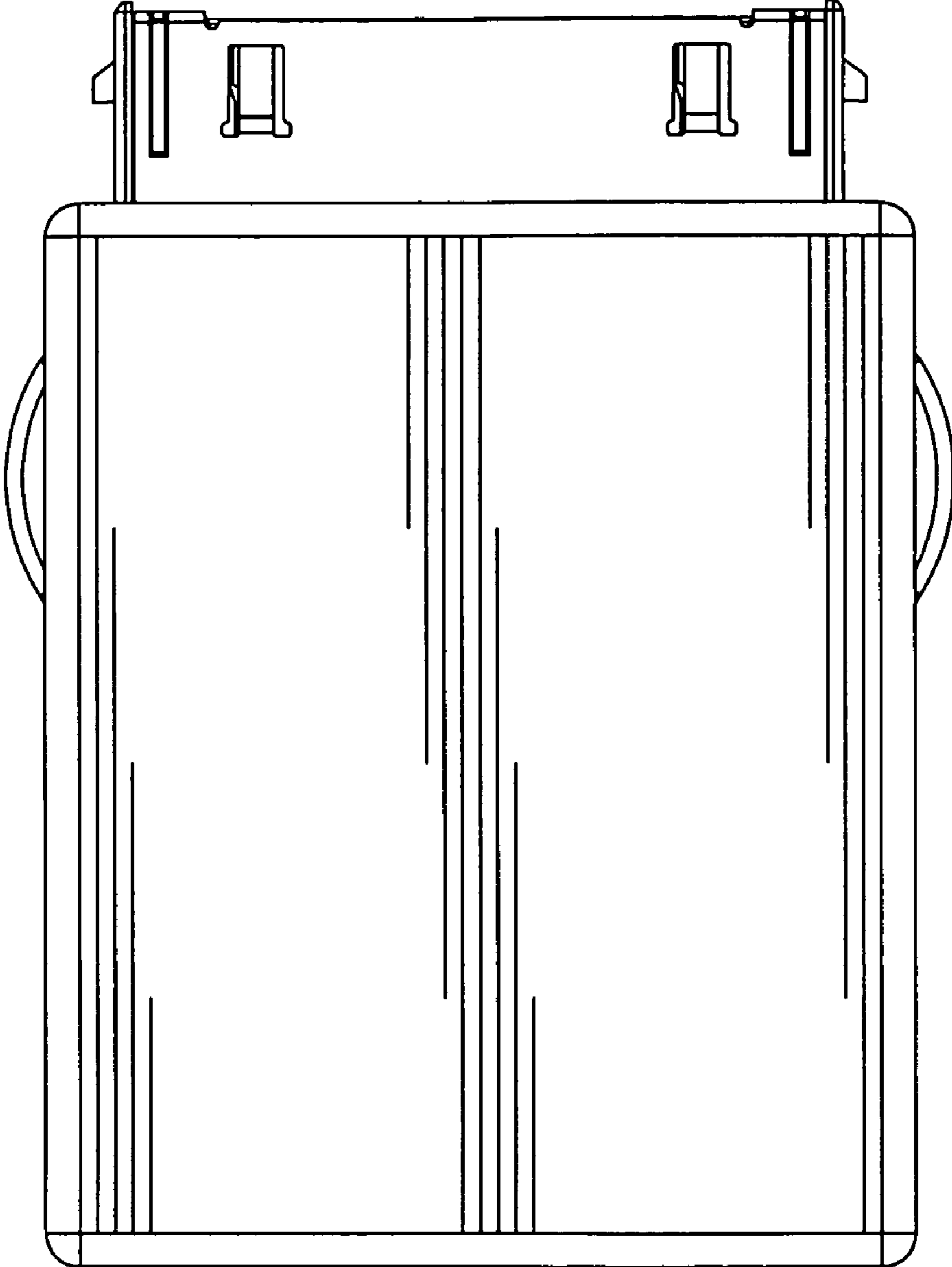


FIG. 7



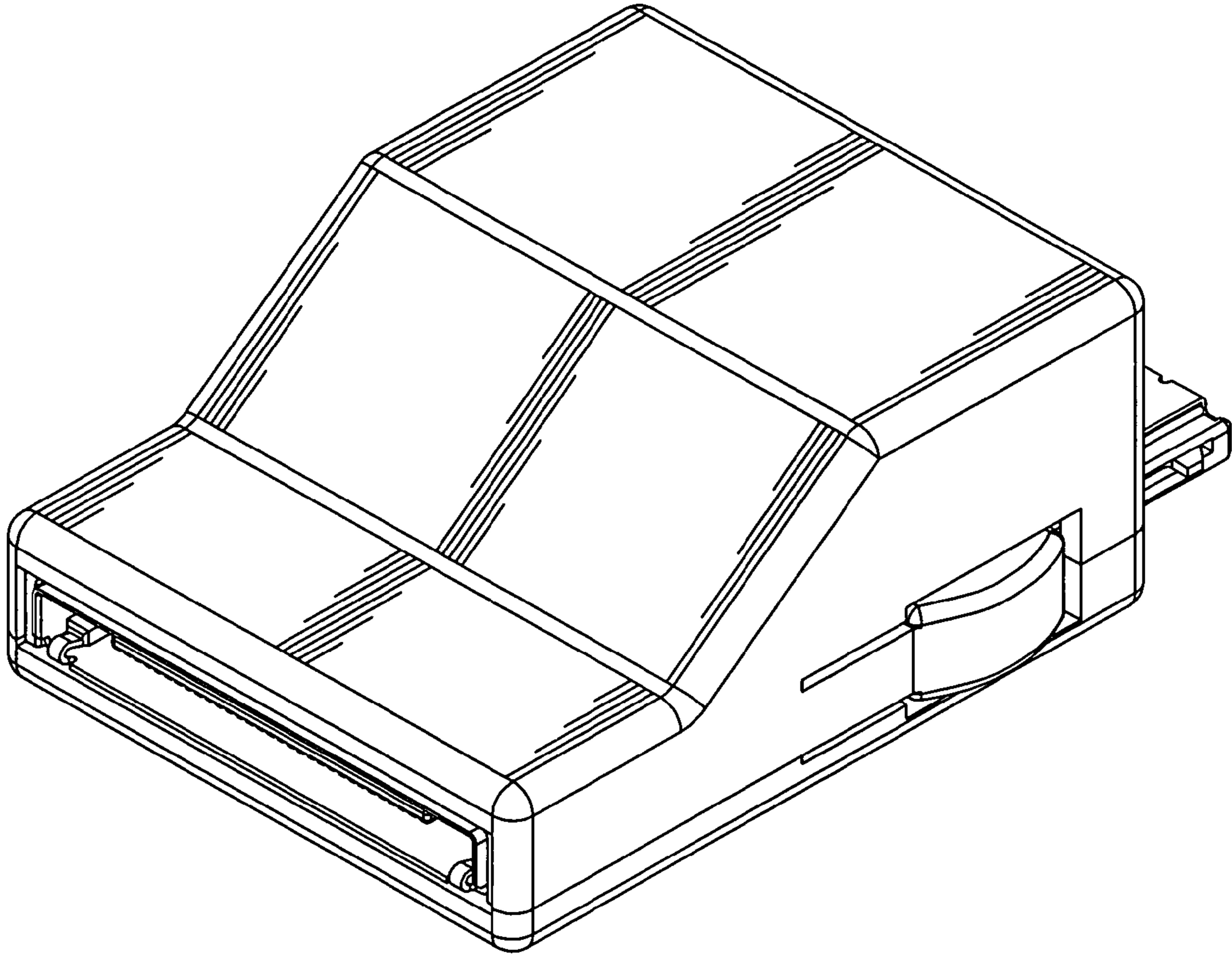


FIG. 8